



US00D809350S

(12) **United States Design Patent**  
**Goodman et al.**

(10) **Patent No.:** **US D809,350 S**  
(45) **Date of Patent:** **\*\* Feb. 6, 2018**

(54) **KITCHEN ORGANIZER**

(71) Applicant: **Spectrum Diversified Designs, Inc.**,  
Streetsboro, OH (US)

(72) Inventors: **Sheldon H. Goodman**, Solon, OH  
(US); **Phaysouk Xayoiphonh**, Akron,  
OH (US)

(73) Assignee: **Spectrum Diversified Designs, LLC**,  
Streetsboro, OH (US)

(\*\*) Term: **15 Years**

(21) Appl. No.: **29/543,780**

(22) Filed: **Oct. 28, 2015**

(51) **LOC (11) Cl.** ..... **07-07**

(52) **U.S. Cl.**  
USPC ..... **D7/704**

(58) **Field of Classification Search**  
USPC ..... D7/601, 409, 632, 704, 637-641;  
D6/675.5, 407, 408, 678.4, 682.6, 677.5,  
D6/683.1; D32/55; D19/75, 86, 90  
CPC ..... A47J 36/12; A47J 47/16; A47F 5/0884;  
A47L 19/04; A47B 77/14  
See application file for complete search history.

(56) **References Cited**

**U.S. PATENT DOCUMENTS**

D421,273 S \* 2/2000 Goodman ..... D19/75  
D588,378 S \* 3/2009 Goodman ..... D7/704

D639,613 S \* 6/2011 Goodman ..... D19/90  
D729,021 S \* 5/2015 Goodman ..... D7/704  
D742,145 S \* 11/2015 Hsu ..... D6/683.1  
D747,630 S \* 1/2016 Goodman ..... D7/601  
2003/0213759 A1\* 11/2003 Compagnucci ..... A47L 19/04  
211/41.11

\* cited by examiner

*Primary Examiner* — Terry Wallace

(74) *Attorney, Agent, or Firm* — Benesch, Friedlander,  
Coplan & Aronoff LLP

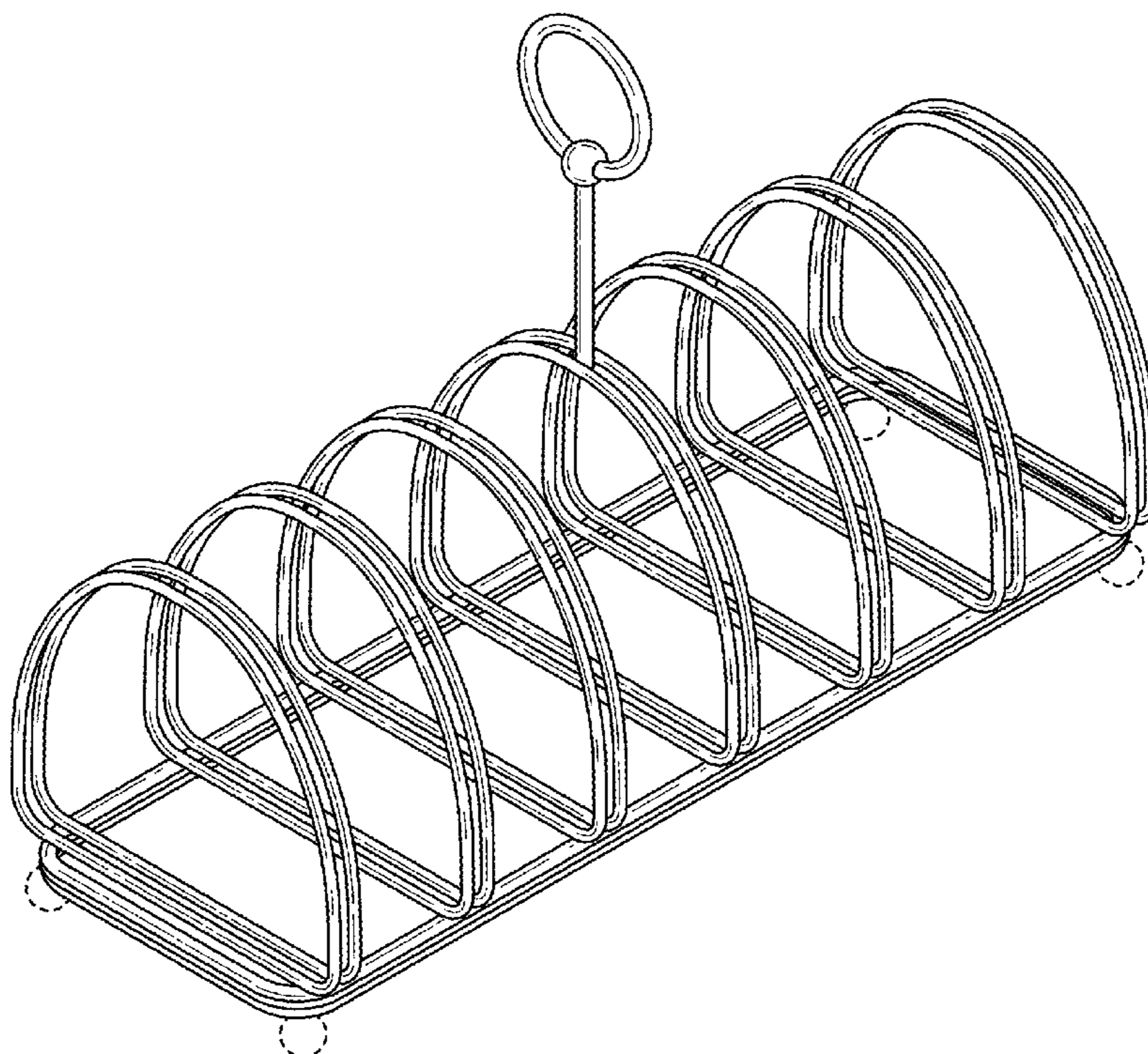
(57) **CLAIM**

The ornamental design for a kitchen organizer, as shown.

**DESCRIPTION**

FIG. 1 is a perspective view of a kitchen organizer showing a new design;  
FIG. 2 is a front view of the kitchen organizer of FIG. 1;  
FIG. 3 is a side view of the kitchen organizer of FIG. 1;  
FIG. 4 is a top view of the kitchen organizer of FIG. 1; and,  
FIG. 5 is a bottom view of the kitchen organizer of FIG. 1.  
The components of the display shown in broken lines illustrate portions of the kitchen organizer which form no part of the claimed design.

**1 Claim, 5 Drawing Sheets**



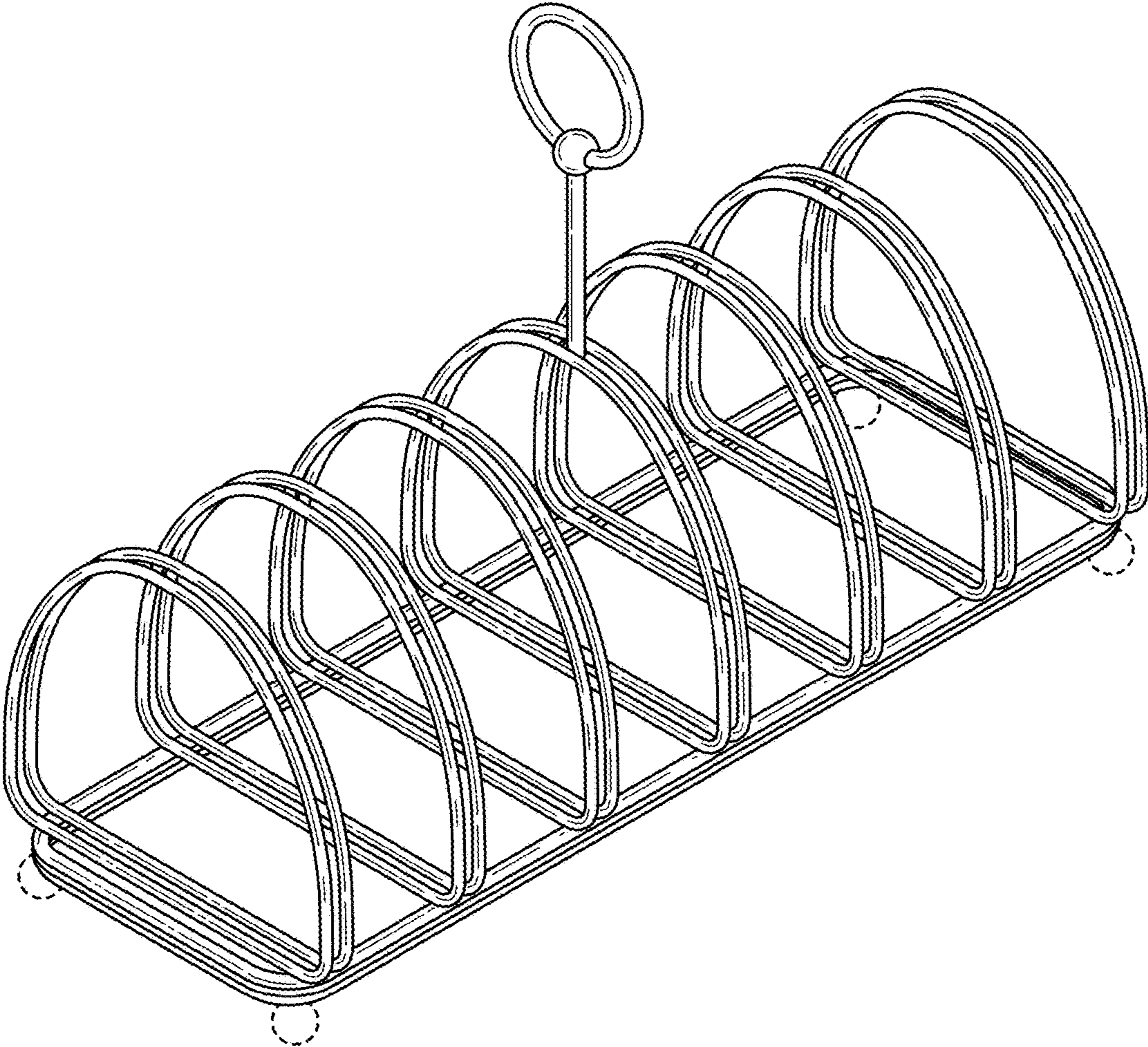


FIG. 1

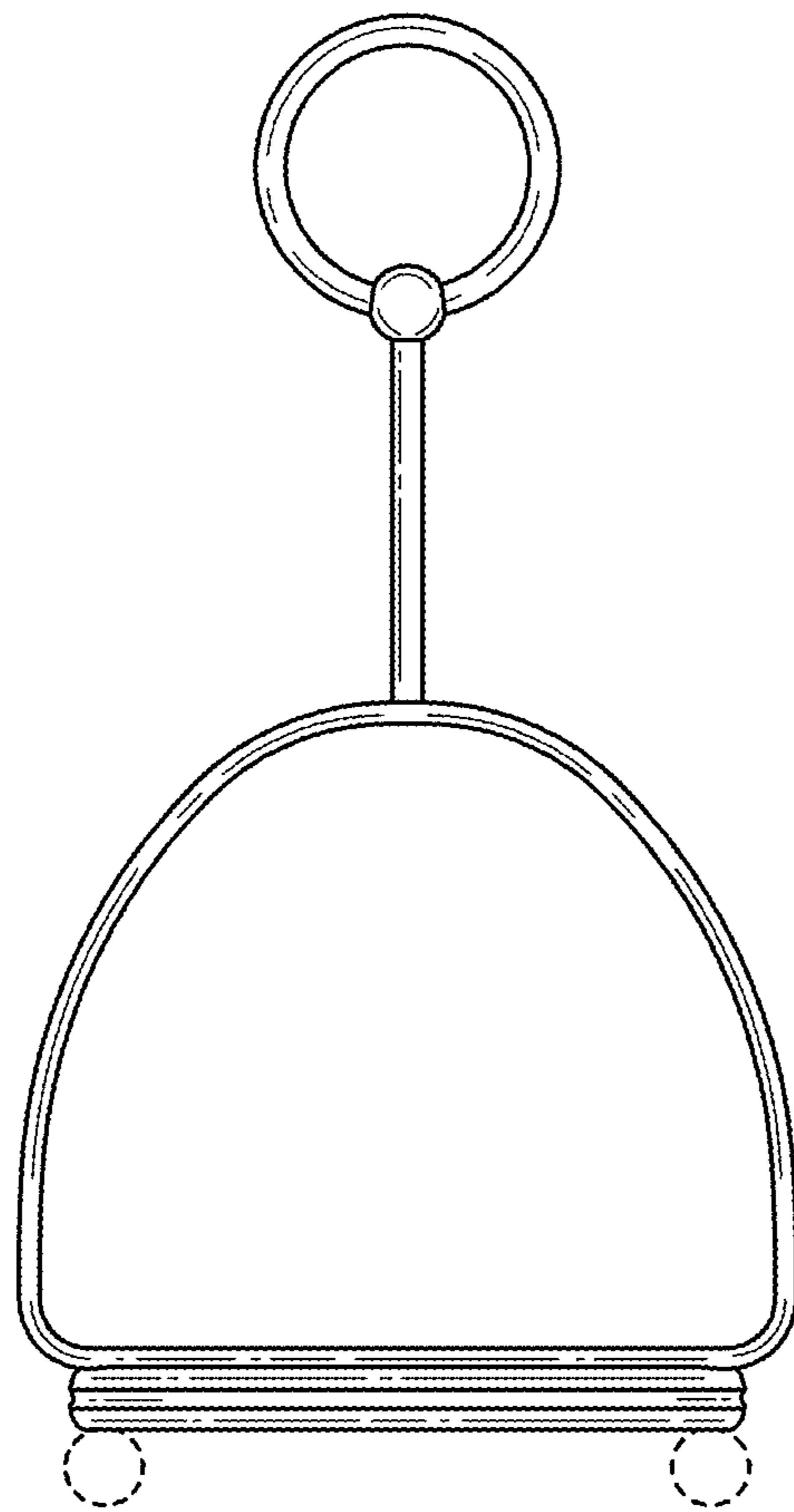


FIG. 2



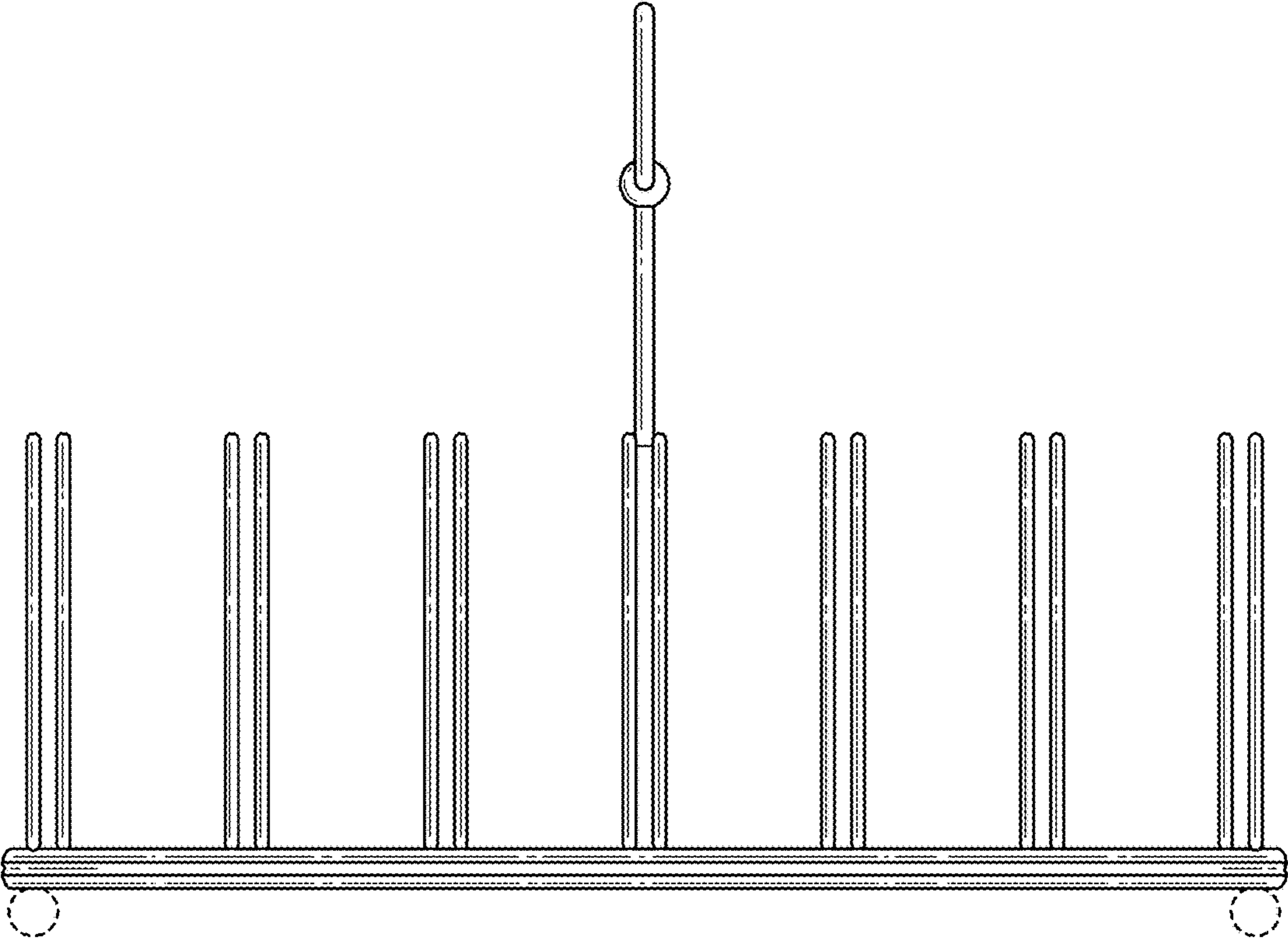


FIG. 3

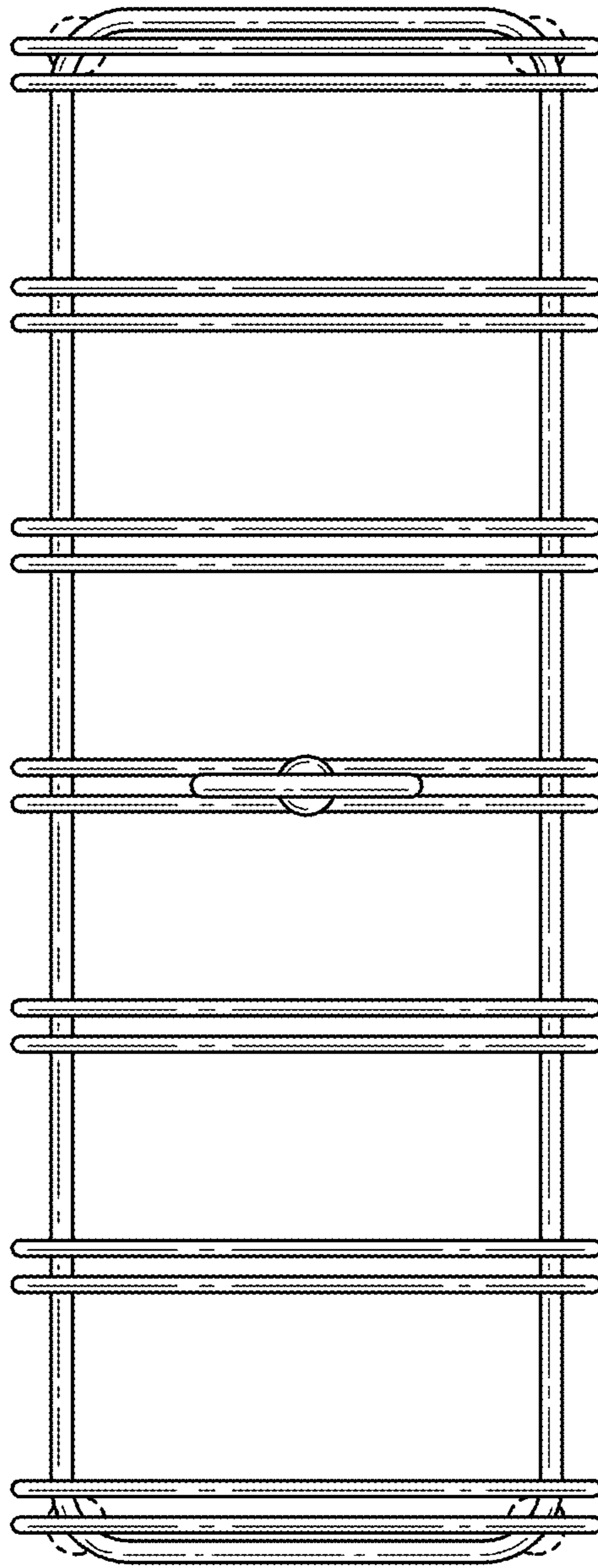


FIG. 4

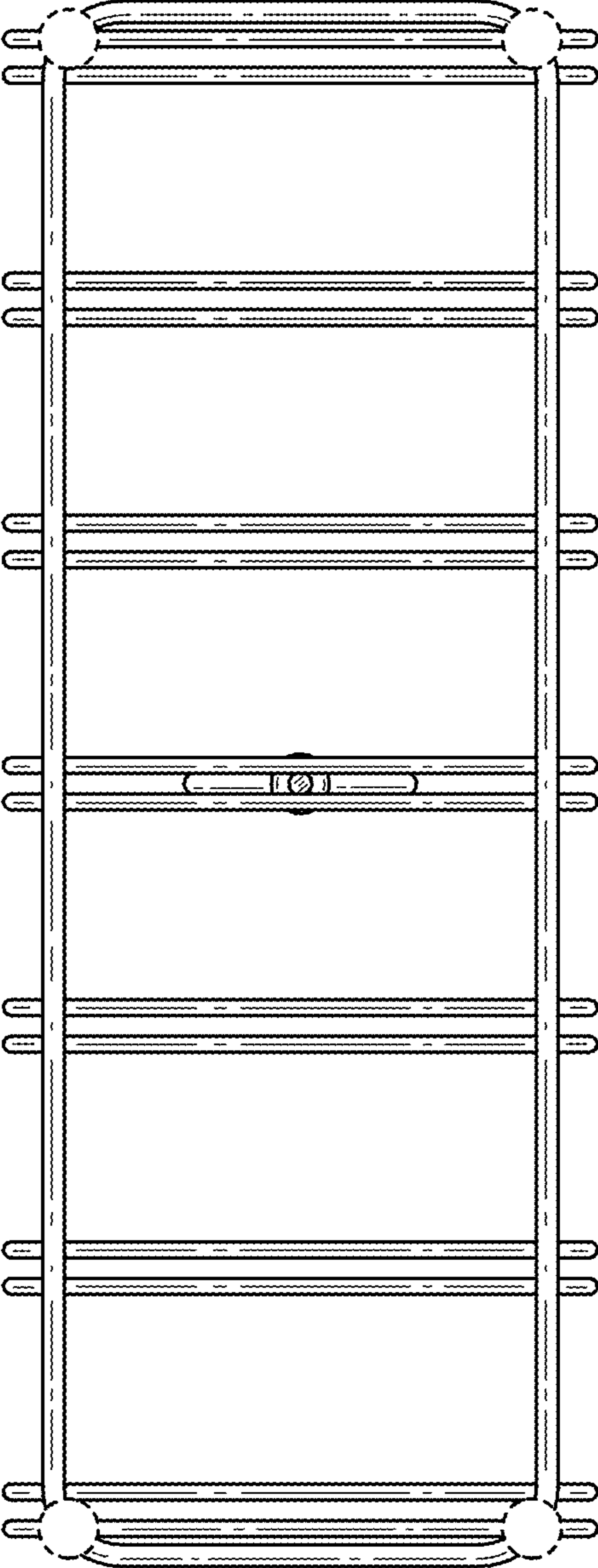


FIG. 5