



US00D809349S

(12) **United States Design Patent** (10) **Patent No.:** **US D809,349 S**  
**Hundley et al.** (45) **Date of Patent:** **\*\* Feb. 6, 2018**

- (54) **SERVING UTENSIL**
- (71) Applicant: **The Vollrath Company, L.L.C.**,  
Sheboygan, WI (US)
- (72) Inventors: **Jill E. Hundley**, Sheboygan, WI (US);  
**Tyler J. Erickson**, Plymouth, WI (US);  
**Mark V. LeGreve**, Two Rivers, WI  
(US); **Rebecca J. Schreiber-Pethan**,  
Sheboygan, WI (US)
- (73) Assignee: **The Vollrath Company, L.L.C.**,  
Sheboygan, WI (US)
- (\*\*) Term: **15 Years**
- (21) Appl. No.: **29/556,466**
- (22) Filed: **Mar. 1, 2016**
- (51) **LOC (11) Cl.** ..... **07-06**
- (52) **U.S. Cl.**  
USPC ..... **D7/686**
- (58) **Field of Classification Search**  
USPC ..... D7/683-687, 368, 669, 401.2  
CPC ..... A21C 15/00; A47J 43/283; A47J 43/28;  
A47J 43/288; A47J 37/0786; A47G  
21/02; A47G 21/06; A47G 21/00; A47G  
21/10; A47G 21/103; A47G 21/106  
See application file for complete search history.

- D686,467 S \* 7/2013 Barnett ..... D7/401.2  
D700,811 S 3/2014 Lin  
D705,604 S 5/2014 Ng  
D717,111 S \* 11/2014 Wang ..... D7/401.2  
D717,112 S \* 11/2014 Wang ..... D7/401.2  
D719,789 S \* 12/2014 Truog ..... A47G 21/06  
D730,701 S 6/2015 Ng  
D735,529 S \* 8/2015 Bell ..... D7/401.2

\* cited by examiner

*Primary Examiner* — Terry A Wallace  
(74) *Attorney, Agent, or Firm* — Foley & Lardner LLP

(57) **CLAIM**  
We claim the ornamental design for serving utensil, as shown and described.

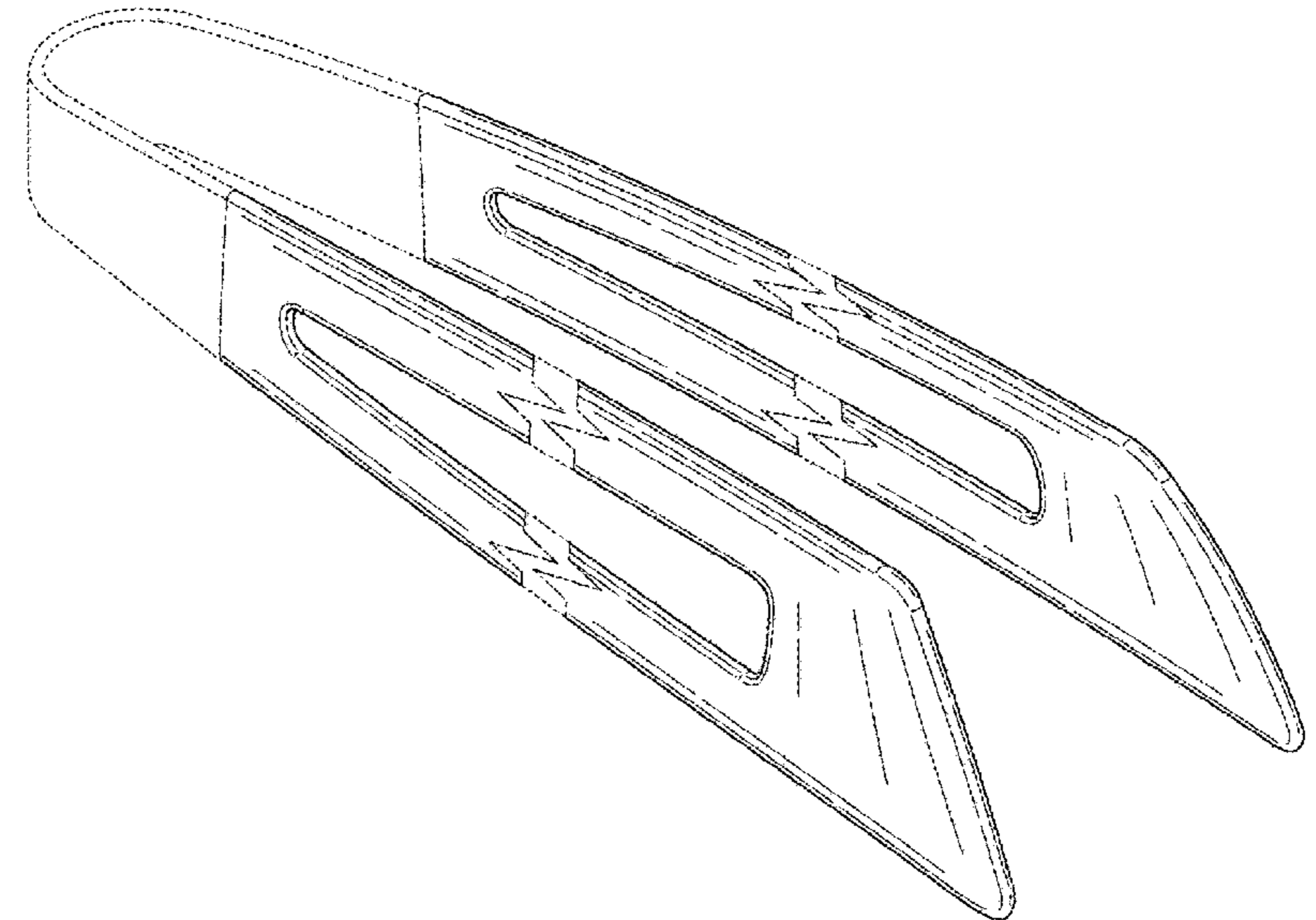
**DESCRIPTION**

FIG. 1 is a top, front, left perspective view of a serving utensil showing our new design; FIG. 2 is a front plan view thereof; FIG. 3 is a rear view thereof; FIG. 4 is a top view thereof; FIG. 5 is a bottom view thereof; FIG. 6 is a left side view thereof; and, FIG. 7 is a right side view thereof.

The ornamental design which is claimed is shown in solid lines in the drawings. The broken lines in the drawings are for illustrative purposes only and form no part of the claimed design. Broken lines formed by equal length dashes show unclaimed portions of the design. Broken lines formed of unequal length dashes (i.e., dash-dot) show boundaries between claimed and unclaimed portions of the design. Lines having a jagged element are not part of the claimed design and show that no particular length of the portion is claimed.

**1 Claim, 6 Drawing Sheets**

- (56) **References Cited**
- U.S. PATENT DOCUMENTS
- 4,126,962 A \* 11/1978 Polcaro ..... A01G 7/06  
15/210.1  
D317,106 S \* 5/1991 Kosurko ..... D7/686  
D406,734 S \* 3/1999 Doherty ..... D7/686  
D474,079 S 5/2003 Hanners et al.  
D536,222 S 2/2007 Heiberg et al.



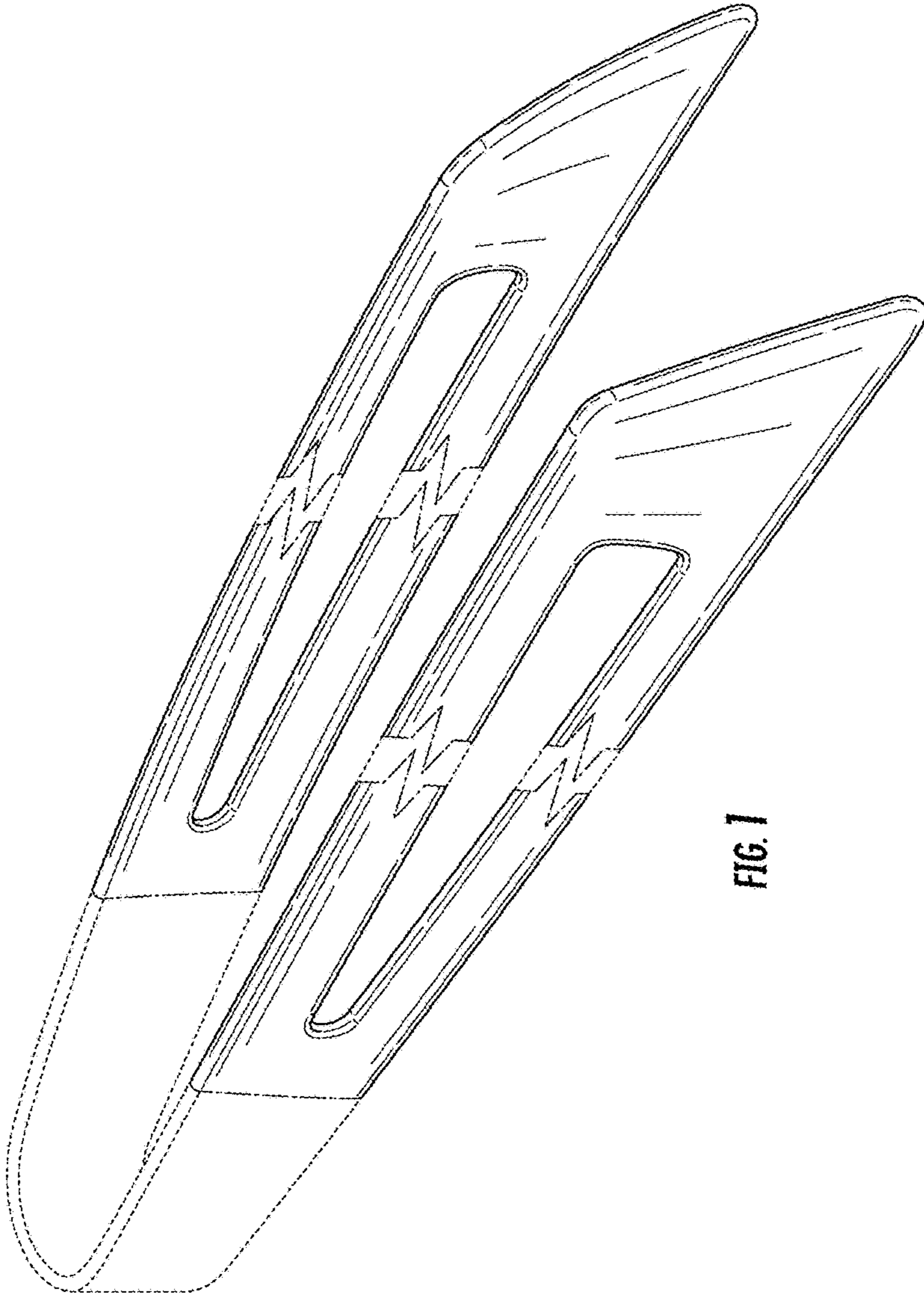
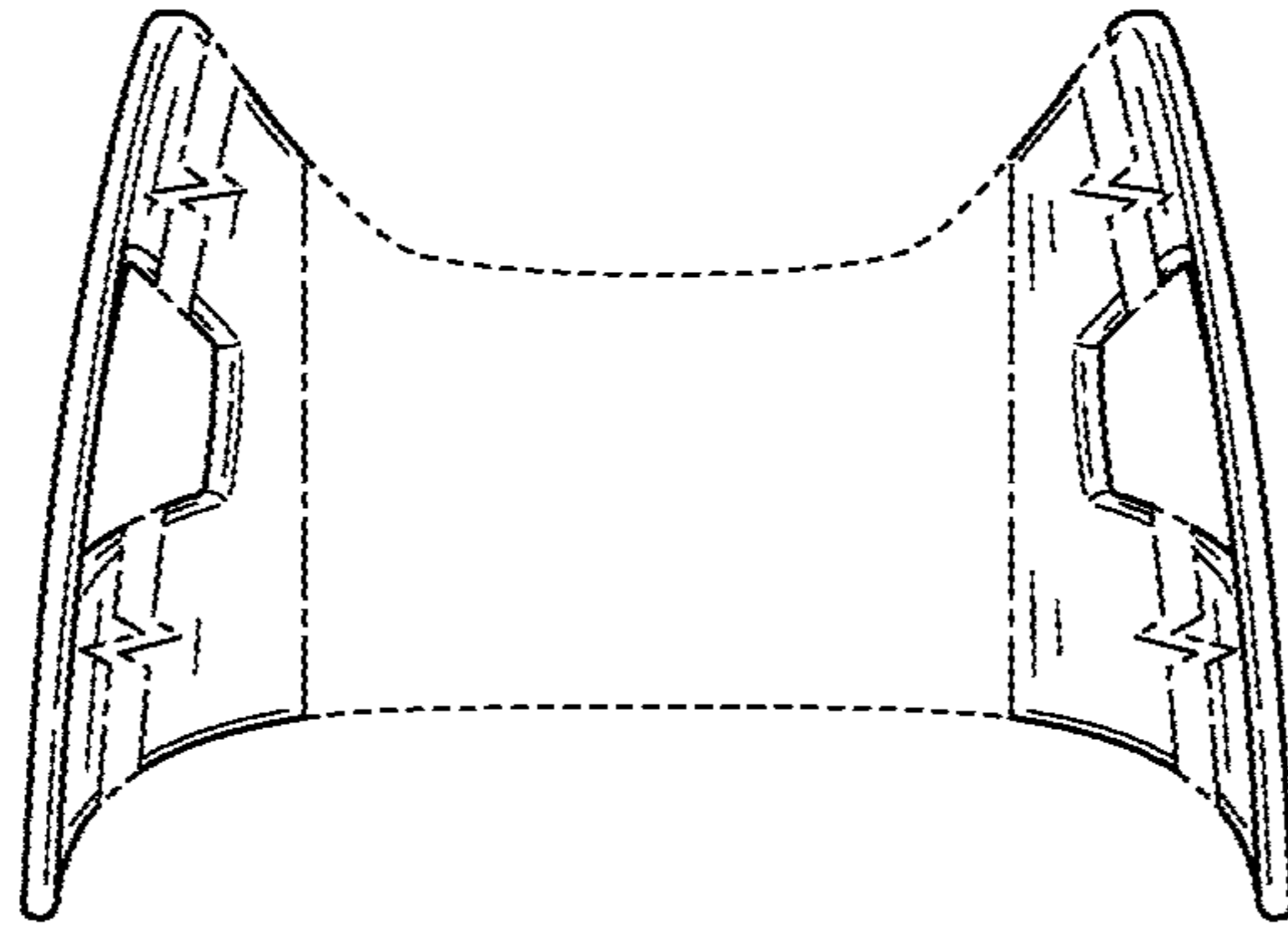
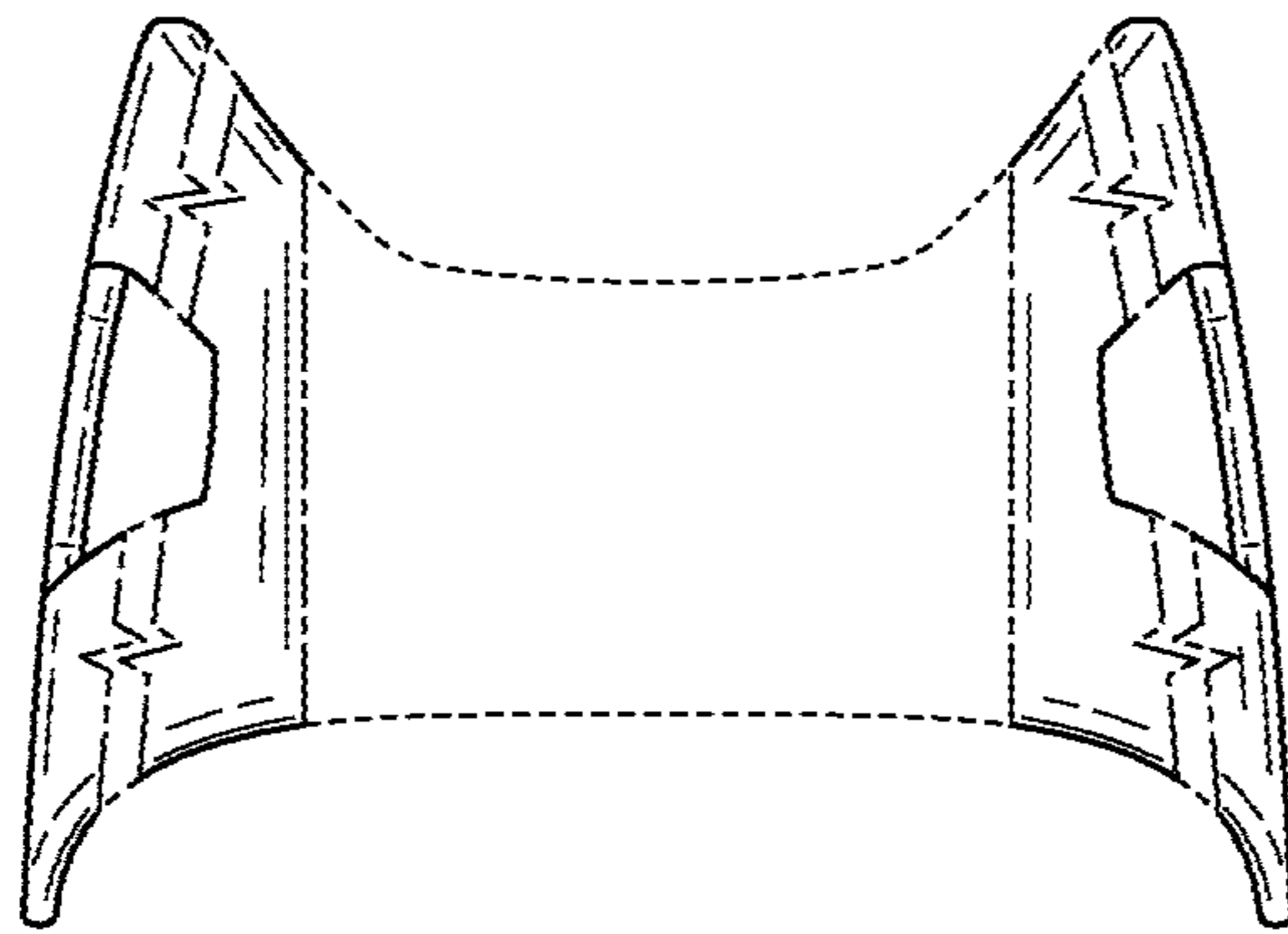


FIG. 1



**FIG. 2**



**FIG. 3**

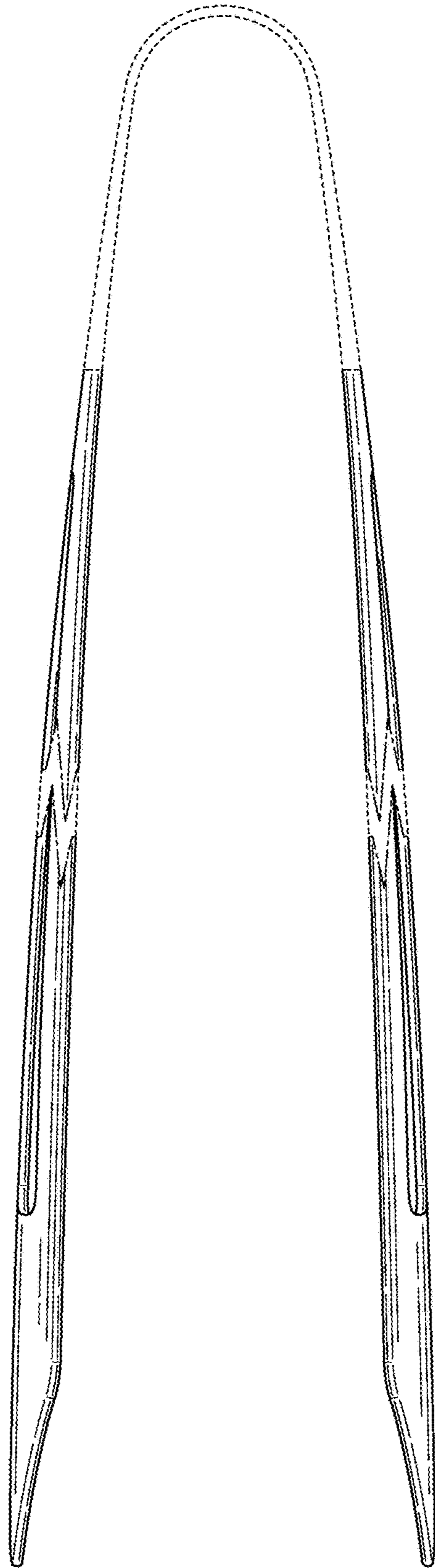


FIG. 4

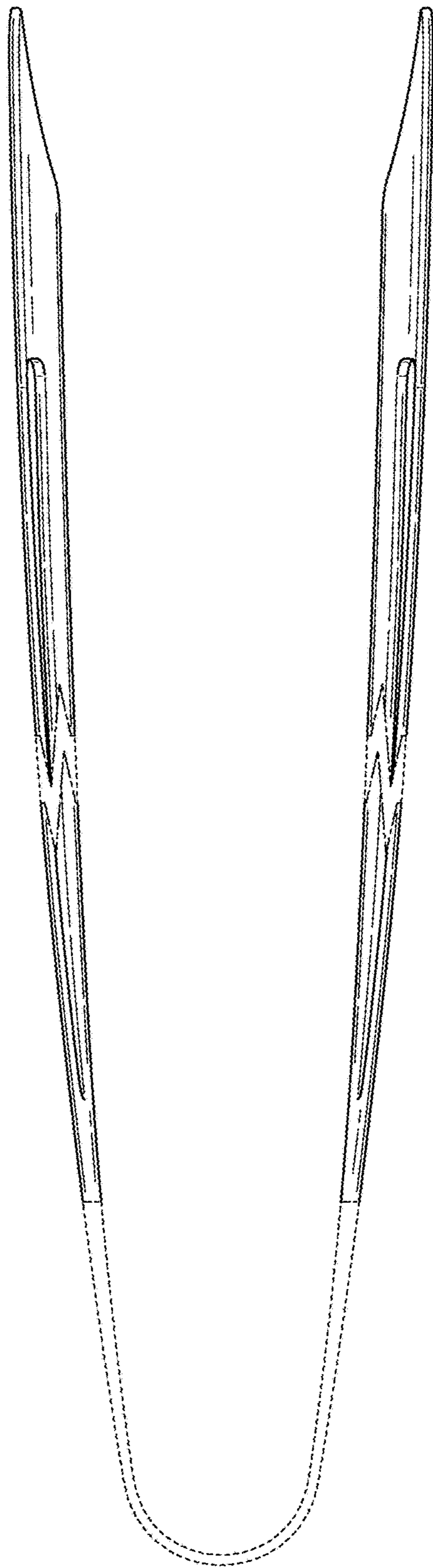


FIG. 5

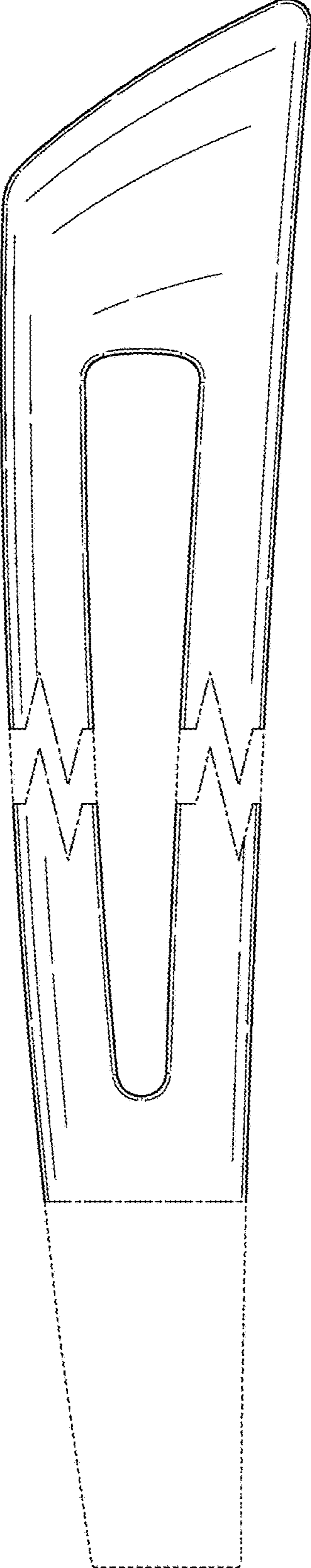


FIG. 6

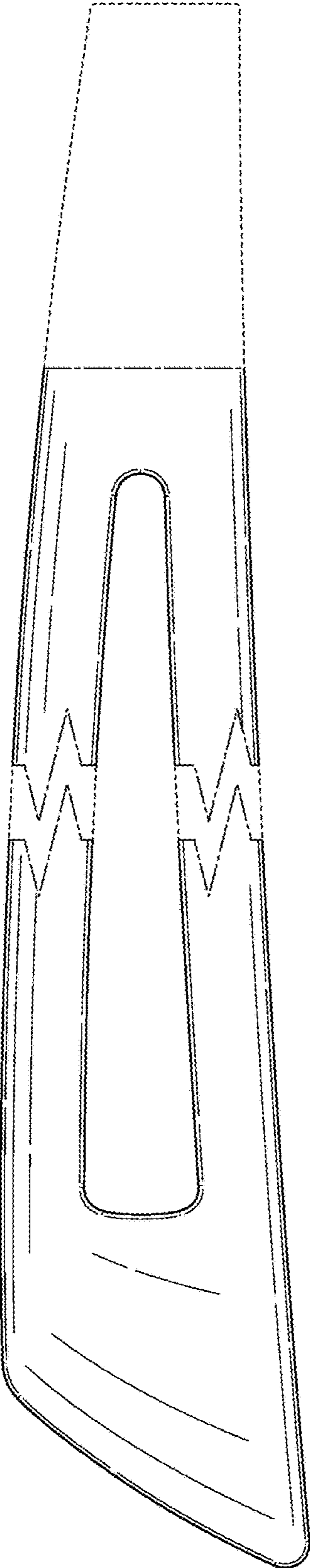


FIG. 7