



US00D809342S

(12) **United States Design Patent**  
**Coakley**

(10) **Patent No.:** **US D809,342 S**  
(45) **Date of Patent:** **\*\* Feb. 6, 2018**

(54) **FOOD PROCESSOR CONTAINER AND TOP THEREOF**

D424,371 S 5/2000 Delmonte  
D437,730 S \* 2/2001 Littmann ..... D7/412  
D445,644 S \* 7/2001 Littmann ..... D7/412  
D480,915 S 10/2003 Kolar et al.

(71) Applicant: **SharkNinja Operating LLC**, Newton, MA (US)

(Continued)

(72) Inventor: **Devin Joseph Coakley**, Bellingham, MA (US)

**FOREIGN PATENT DOCUMENTS**

(73) Assignee: **SHARKNINJA OPERATING LLC**, Newton, MA (US)

FR 2962023 A1 1/2012  
JP S55175095 U 12/1980  
WO 2016191538 A1 12/2016

(\*\*) Term: **15 Years**

**OTHER PUBLICATIONS**

(21) Appl. No.: **29/571,226**

International Search Report; International Application No. PCT/US2016/034287; International Filing Date: May 26, 2016; dated Jul. 18, 2016; 5 Pages.

(22) Filed: **Jul. 15, 2016**

(Continued)

(51) **LOC (11) Cl.** ..... **31-00**

(52) **U.S. Cl.**  
USPC ..... **D7/413**; D7/376; D7/378; D7/384;  
D7/412

*Primary Examiner* — Ricky Pham

(74) *Attorney, Agent, or Firm* — Cantor Colburn LLP

(58) **Field of Classification Search**

USPC ..... D7/372, 376–386, 412–413, 602, 629,  
D7/665–666, 669, 679, 693–694  
CPC .... A21C 1/02; A21C 1/04; A23N 1/00; A23N  
1/02; A47J 43/04; A47J 43/25; A47J  
43/27; A47J 43/042; A47J 43/044; A47J  
43/046; A47J 43/075; A47J 43/0722;  
A47J 43/0727; B01F 3/00; B01F 3/0807;  
B01F 3/0853; B01F 13/0059; B01F  
13/0064; B02C 1/08; B02C 2/04; B02C  
4/42; B02C 4/142; B02C 4/143; B02C  
4/423; B02C 13/1835; B28C 5/10; B28C  
5/12; B28C 5/14; B28C 5/16

See application file for complete search history.

(57) **CLAIM**

The ornamental design for food processor container and top thereof, as shown and described.

**DESCRIPTION**

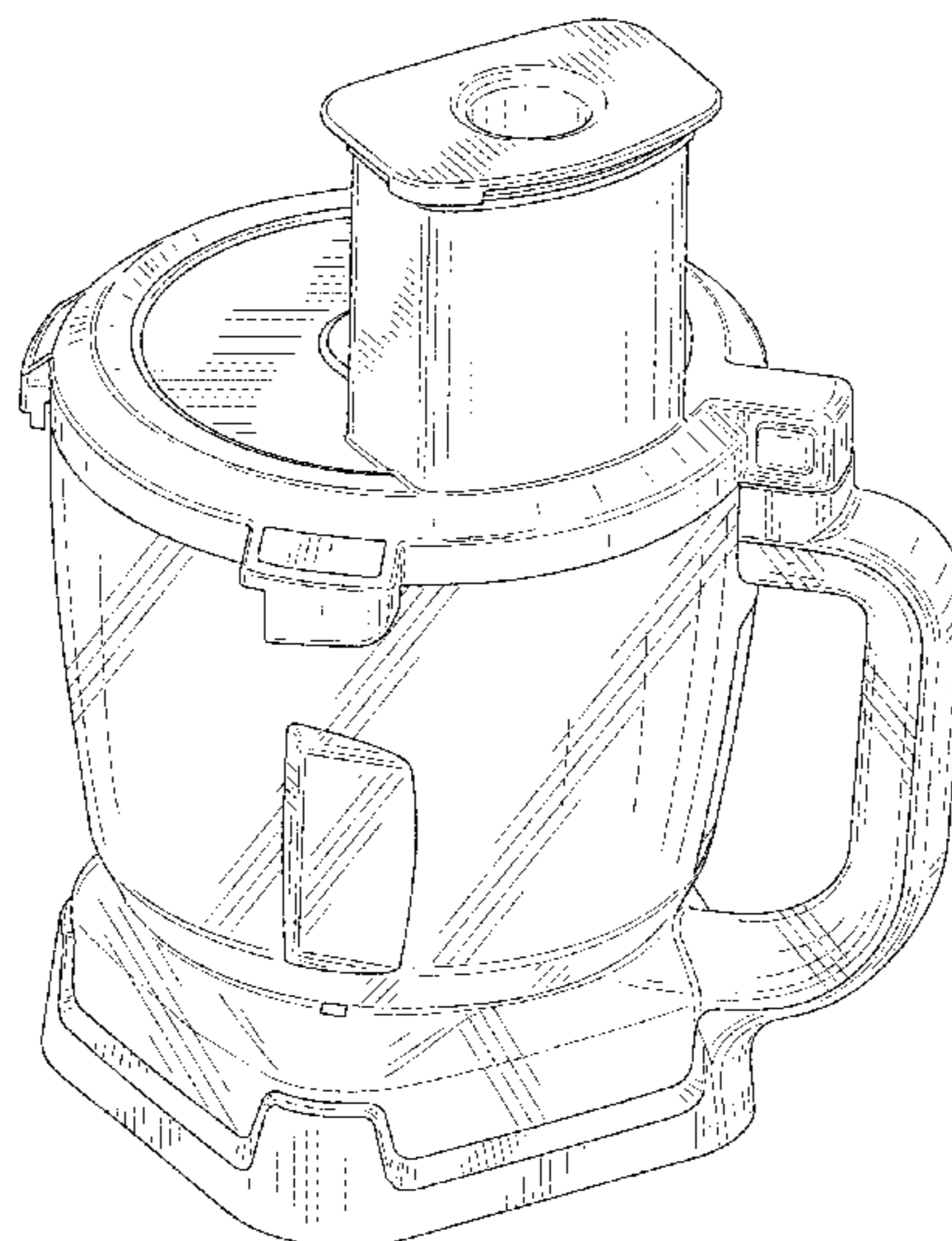
FIG. 1 is a perspective view of a food processor container and top thereof showing my new design;  
FIG. 2 is a front view of the embodiment shown in FIG. 1;  
FIG. 3 is a rear view of the embodiment shown in FIG. 1;  
FIG. 4 is a side view of the embodiment shown in FIG. 1;  
FIG. 5 is another side view of the embodiment shown in FIG. 1;  
FIG. 6 is a top view of the embodiment shown in FIG. 1;  
and,  
FIG. 7 is a bottom view of the embodiment shown in FIG. 1.  
The broken lines in the figures are for environmental purposes only and form no part of the claimed design.

(56) **References Cited**

**U.S. PATENT DOCUMENTS**

3,392,768 A 7/1968 Anliker  
4,644,838 A 2/1987 Samson et al.  
5,839,826 A 11/1998 Eubanks

**1 Claim, 7 Drawing Sheets**



(56)

References Cited

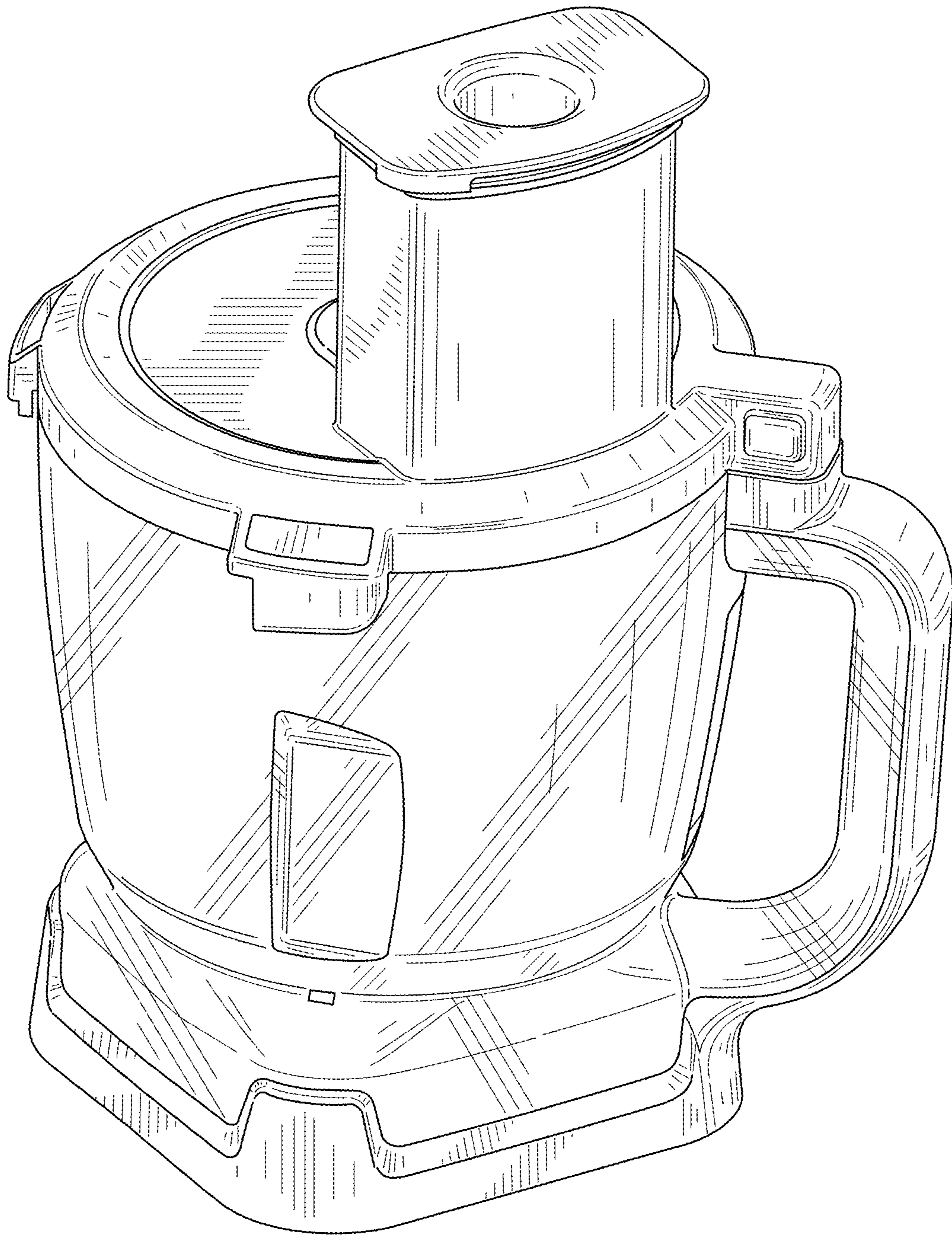
OTHER PUBLICATIONS

U.S. PATENT DOCUMENTS

D528,363 S 9/2006 Ulanski et al.  
 D538,595 S 3/2007 White et al.  
 D552,419 S 10/2007 Picozza et al.  
 D577,537 S 9/2008 Lee  
 D578,340 S 10/2008 Picozza et al.  
 D605,462 S 12/2009 Picozza et al.  
 D617,136 S 6/2010 Bock et al.  
 7,753,223 B2 7/2010 Boozer et al.  
 D621,656 S 8/2010 Ulanski et al.  
 D625,141 S 10/2010 Moore  
 D637,870 S \* 5/2011 Bock ..... D7/378  
 D638,256 S \* 5/2011 Wu ..... D7/376  
 D642,858 S 8/2011 Lazzar  
 D644,480 S \* 9/2011 Czach ..... D7/376  
 D645,301 S \* 9/2011 Tse ..... D7/376  
 D647,357 S 10/2011 Audette et al.  
 D647,367 S 10/2011 Audette et al.  
 D647,368 S 10/2011 Audette et al.  
 D661,947 S 6/2012 Conti et al.  
 D662,359 S 6/2012 Boozer et al.  
 D668,100 S 10/2012 Palermo et al.  
 D677,976 S 3/2013 Palermo et al.  
 D678,726 S 3/2013 Palermo et al.  
 D679,543 S 4/2013 Repac  
 D684,818 S 6/2013 Lee  
 D690,152 S 9/2013 Palermo et al.  
 D694,573 S 12/2013 Norland et al.  
 D694,582 S 12/2013 Norland  
 D702,999 S \* 4/2014 Audette ..... D7/376  
 D704,502 S 5/2014 Coakley et al.  
 D705,606 S 5/2014 Coakley et al.  
 D711,682 S \* 8/2014 Norland ..... D7/376  
 D711,688 S 8/2014 Prats  
 8,834,015 B2 9/2014 White et al.  
 D715,602 S 10/2014 Schillheim  
 D730,682 S \* 6/2015 Tu ..... D7/376  
 D730,683 S 6/2015 Tu  
 D733,488 S 7/2015 Tu  
 D742,172 S 11/2015 Dickson, Jr. et al.  
 D746,630 S \* 1/2016 Ji ..... D7/376  
 D755,003 S 5/2016 Palermo et al.  
 9,420,915 B2 8/2016 Dickson, Jr. et al.  
 D765,465 S 9/2016 Du  
 D769,061 S 10/2016 Diderotto  
 D771,999 S 11/2016 Kettavong et al.  
 D773,247 S 12/2016 Barquin et al.  
 D778,665 S 2/2017 Barquin et al.  
 D780,507 S 3/2017 Barquin et al.  
 D783,340 S 4/2017 Palermo et al.  
 D783,354 S \* 4/2017 Smith ..... D7/376  
 D784,069 S 4/2017 Blaise  
 D784,761 S \* 4/2017 Tu ..... D7/376  
 D785,403 S 5/2017 Smith  
 D786,615 S 5/2017 Tsai  
 D788,520 S 6/2017 Blaise  
 D789,735 S 6/2017 Palermo et al.  
 2006/0018189 A1 \* 1/2006 Chang Chien ..... A47J 43/0727  
 366/205  
 2006/0198241 A1 9/2006 Krishnachaitanya et al.  
 2007/0144326 A1 6/2007 De Buyer  
 2008/0089171 A1 4/2008 Larsen et al.  
 2012/0024993 A1 2/2012 Audette et al.  
 2012/0027902 A1 2/2012 Audette et al.  
 2014/0165408 A1 6/2014 Schillheim  
 2016/0331182 A1 11/2016 Golino

Notice of Allowance; U.S. Appl. No. 29/532,039, filed Jul. 1, 2015; Blender Container; dated Dec. 14, 2016 ; 9 Pages.  
 Restriction Requirement; U.S. Appl. No. 29/532,039, filed Jul. 1, 2015; Blender Container; dated Aug. 9, 2016; 6 Pages.  
 Written Opinion of the International Searching Authority; International Application No. PCT/US2016/034287; International Filing Date: May 26, 2016; dated Jul. 18, 2016; 4 Pages.  
 Notice of Allowance; U.S. Appl. No. 29/571,229, filed Jul. 15, 2016; Blender Base; dated Jul. 14, 2017; 13 Pages.  
 Notice of Completion of Formalities for Patent Register and Notice of Grant of Design Patent Right; Chinese Application No. 201730013988X; dated Jul. 17, 2017; 5 Pages.  
 Notice of Allowance; U.S. Appl. No. 29/596,920, filed Mar. 13, 2017; Blender Container; dated Sep. 1, 2017; 9 Pages.  
 Application for Registration of an Industrial Design Examiner's Report; Canadia Application No. 172490; dated May 15, 2017; 3 Pages.  
 Application for Registration of an Industrial Design Examiner's Report; Canadia Application No. 172491; dated May 15, 2017; 4 Pages.  
 Application for Registration of an Industrial Design Examiner's Report; Canadia Application No. 172492; dated May 15, 2017; 4 Pages.  
 Notice of Allowance; U.S. Appl. No. 29/596,920, filed Mar. 13, 2017; Blender Container; dated Jul. 11, 2017; 15 Pages.  
 International Search Report; International Application No. PCT/US2017/016364; International Filing Date: Feb. 3, 2017; dated May 10, 2017; 7 Pages.  
 Notice of Allowance; U.S. Appl. No. 29/532,039, filed Jul. 1, 2015; Blender Container; dated Oct. 24, 2016; 7 Pages.  
 Notice of Allowance; U.S. Appl. No. 29/571,229, filed Jul. 15, 2016; Blender Base; dated Jul. 5, 2017; 13 Pages.  
 Notice of Completion of Formalities for Patent Register and Notice of Grant of Design Patent Right; Chinese Application No. 2017300123877; dated Apr. 28, 2017; 5 Pages.  
 Notice of Completion of Formalities for Patent Register and Notice of Grant of Design Patent Right; Chinese Application No. 2017300139659; dated Jun. 20, 2017; 5 Pages.  
 Notice of Completion of Formalities for Patent Register and Notice of Grant of Design Patent Right; Chinese Application No. 2017300140139; dated Apr. 28, 2017; 5 Pages.  
 Notice of Completion of Formalities for Patent Register and Notice of Grant of Design Patent Right; Chinese Application No. 2017300161830; dated May 15, 2017; 5 Pages.  
 Notice of Completion of Formalities for Patent Register and Notice of Grant of Design Patent Right; Chinese Application No. 2017300161968; dated Jun. 16, 2017; 5 Pages.  
 Notice of Decision for Design Registration; Korean Application No. 30-2017-0002350; dated Jun. 20, 2017; 6 Pages.  
 Notice of Decision for Design Registration; Korean Application No. 30-2017-0002351; dated Jun. 20, 2017; 6 Pages.  
 Notice of Decision for Design Registration; Korean Application No. 30-2017-0002352; dated Jun. 20, 2017; 6 Pages.  
 Requirement for Restriction/Election; U.S. Appl. No. 29/571,224, filed Jul. 15, 2016; Food Processor Container and Top Thereof; dated Jul. 5, 2017; 12 Pages.  
 Requirement for Restriction/Election; U.S. Appl. No. 29/571,227, filed Jul. 15, 2016; Blender Container; dated Jul. 3, 2017; 12 Pages.  
 Written Opinion of the International Searching Authority; International Application No. PCT/US2017/016364; International Filing Date: Feb. 3, 2017; dated May 10, 2017; 8 Pages.

\* cited by examiner



**FIG. 1**

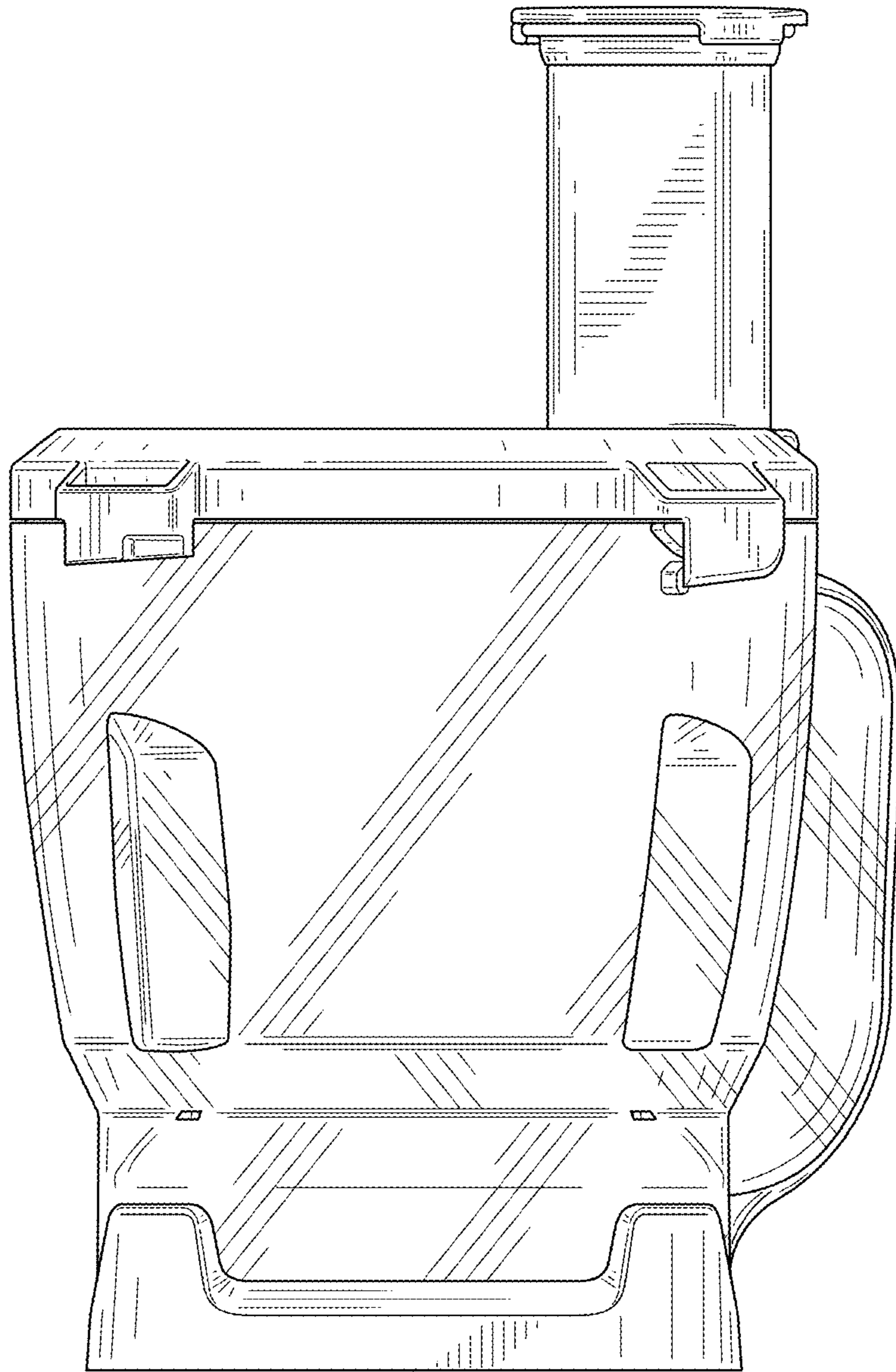
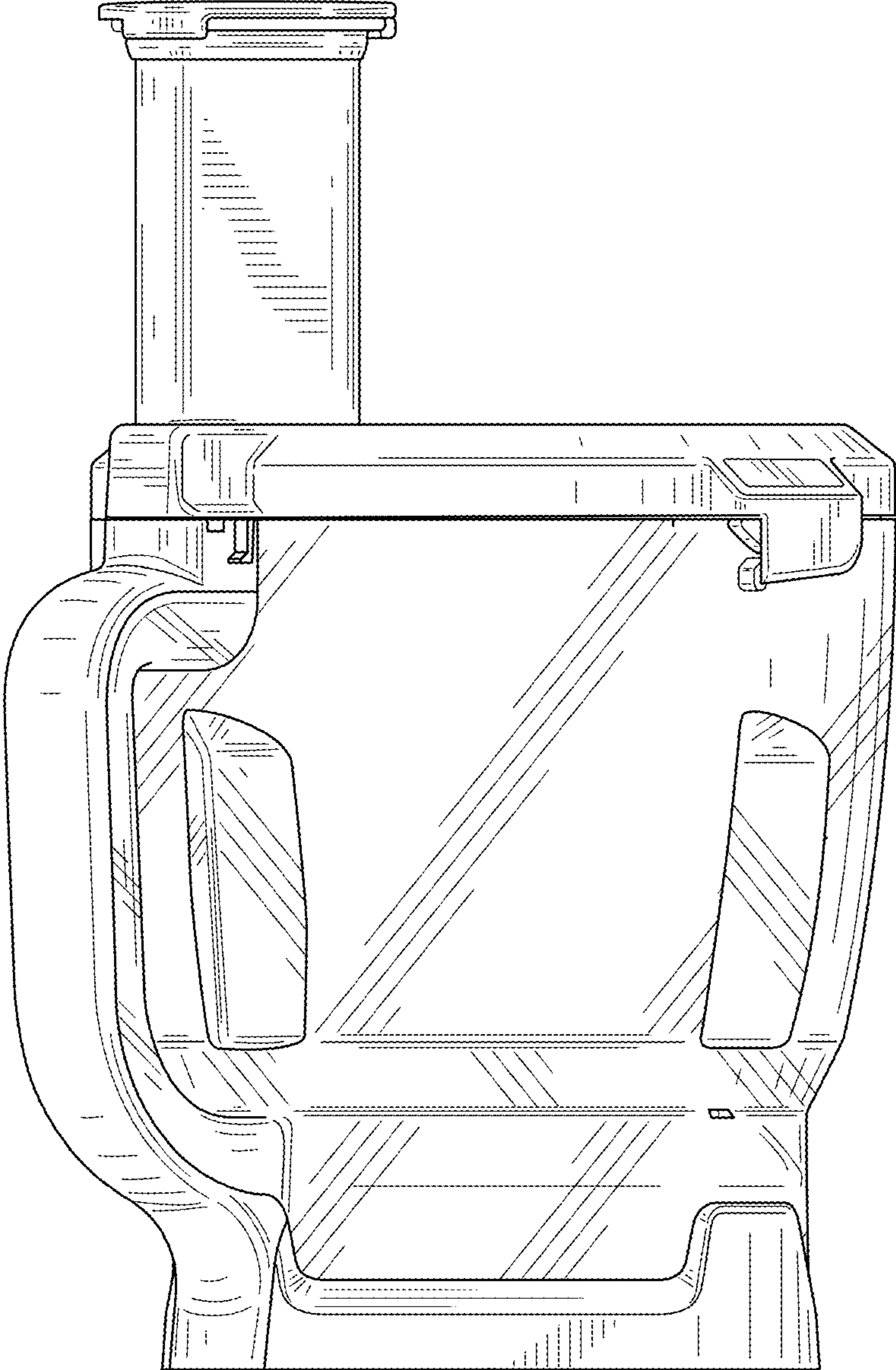
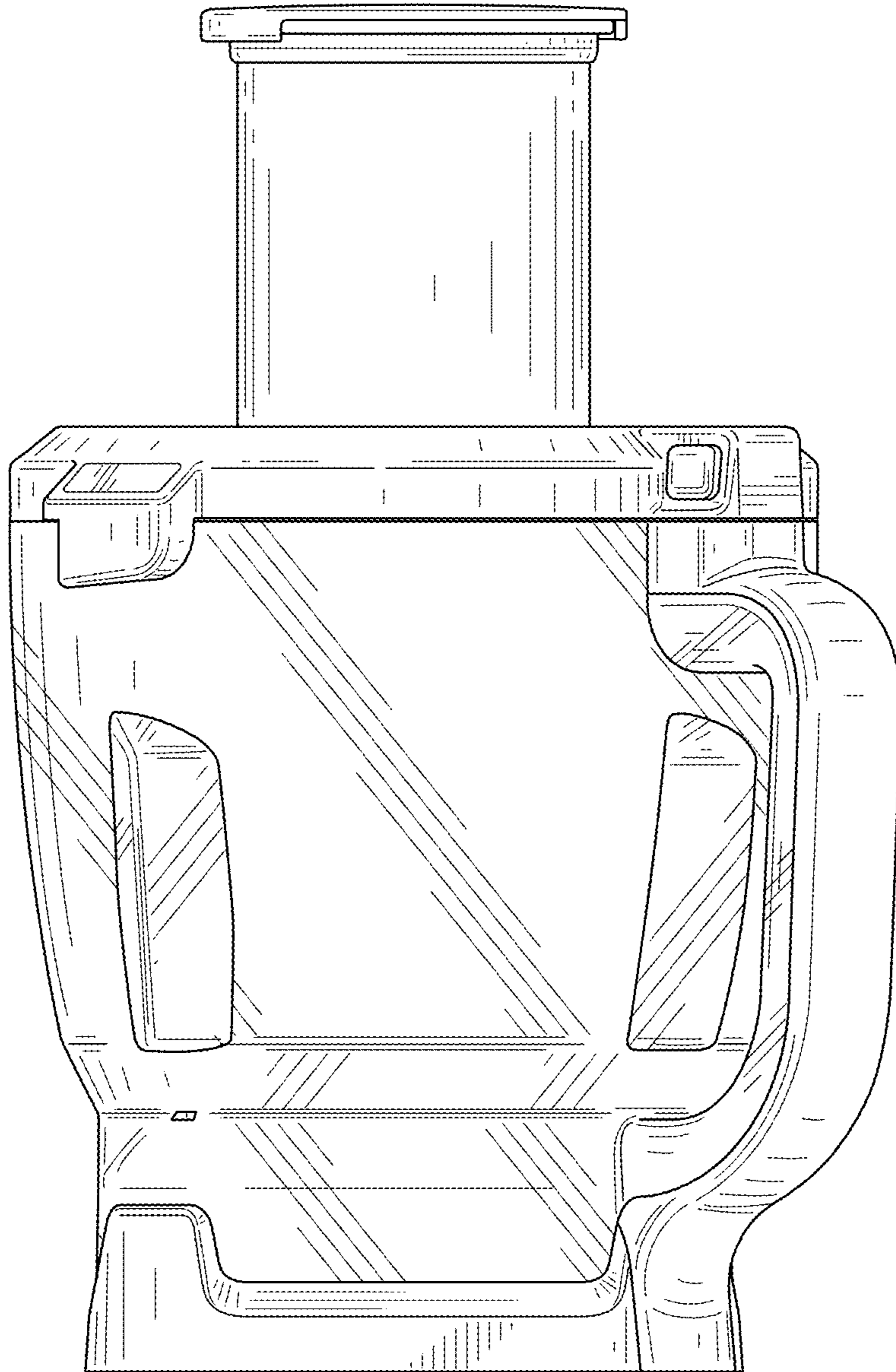


FIG. 2



**FIG. 3**



**FIG. 4**

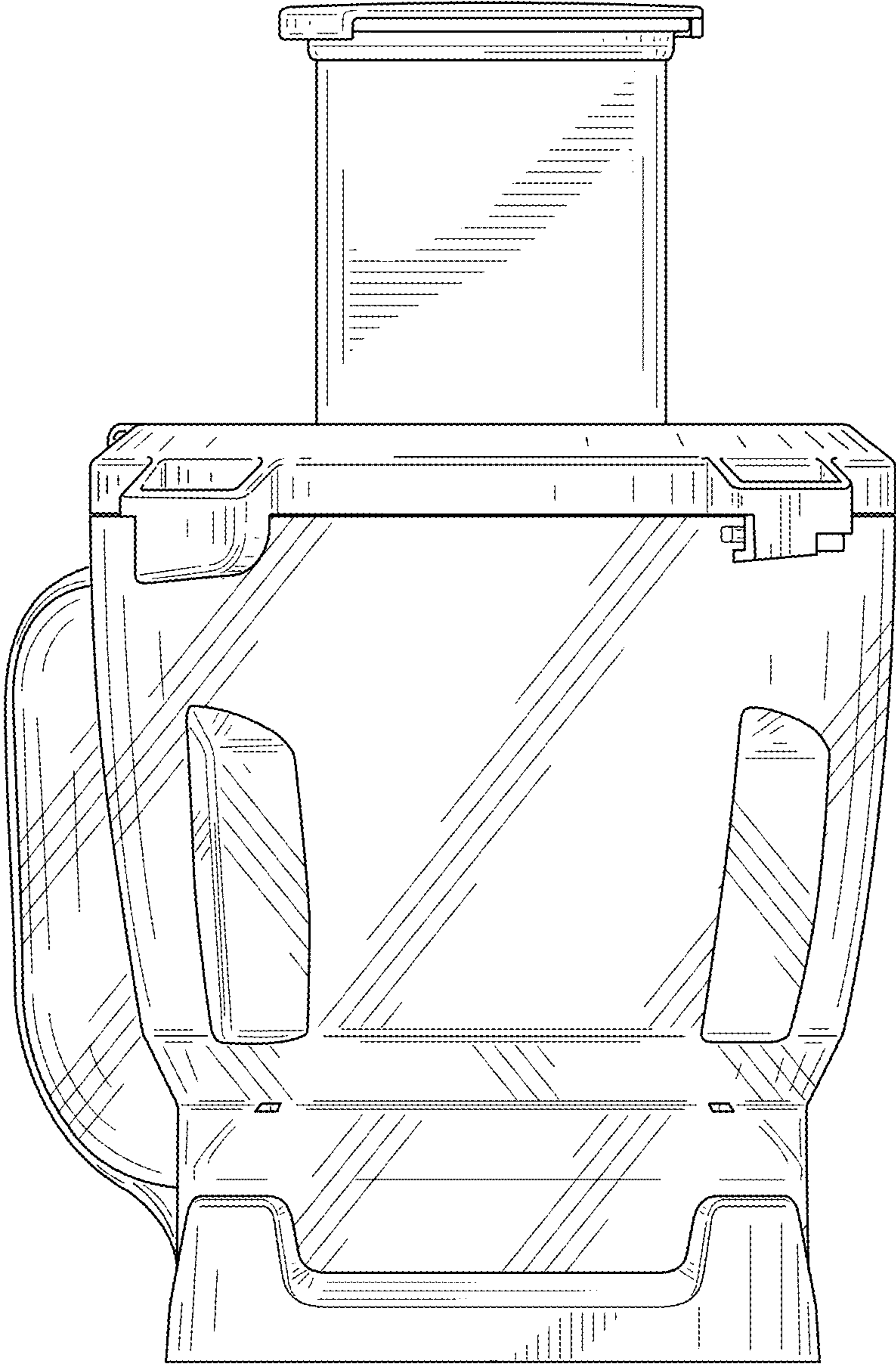


FIG. 5

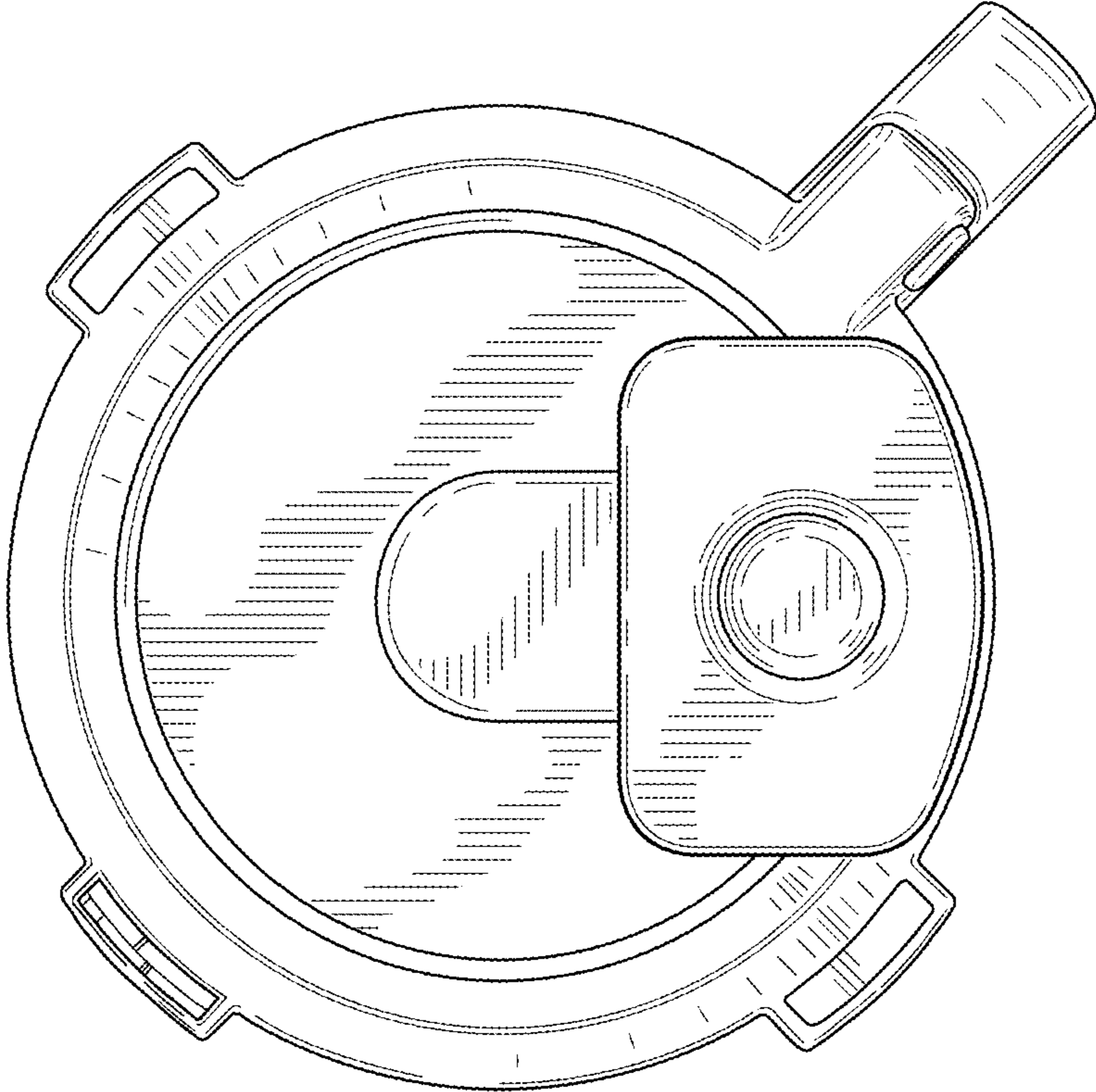
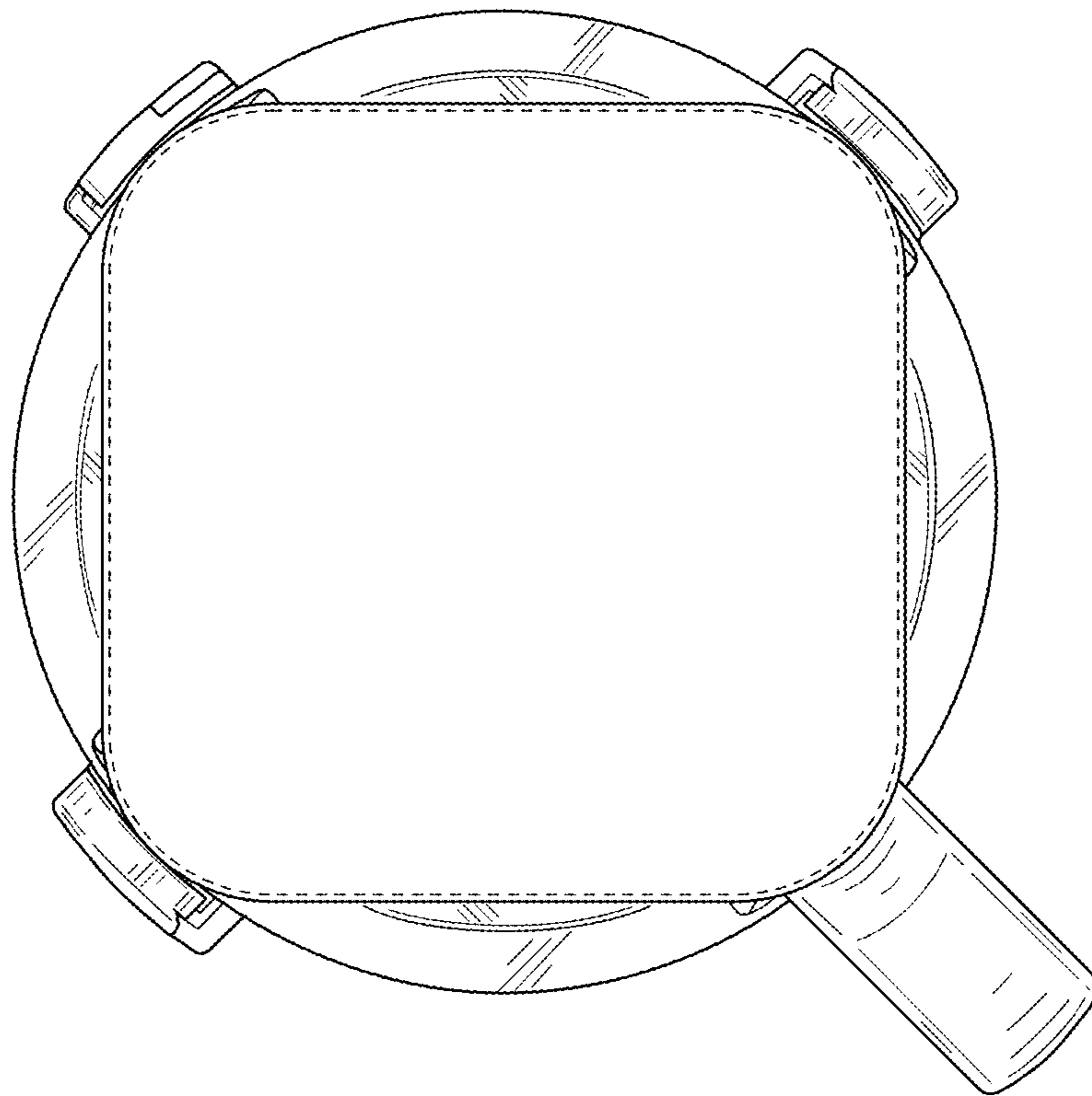


FIG. 6





**FIG. 7**