



(12) **United States Design Patent** (10) **Patent No.:** **US D809,340 S**  
**Poon** (45) **Date of Patent:** **\*\* Feb. 6, 2018**

- (54) **GRILLING APPARATUS**  
 (71) Applicant: **Innovative International, LLC**, Lutz, FL (US)  
 (72) Inventor: **Enoch Poon**, Lutz, FL (US)  
 (\*\*) Term: **15 Years**  
 (21) Appl. No.: **29/587,816**  
 (22) Filed: **Dec. 15, 2016**

**Related U.S. Application Data**

- (63) Continuation of application No. 14/722,132, filed on May 26, 2015, now Pat. No. 9,554,671, which is a continuation-in-part of application No. 14/047,455, filed on Oct. 7, 2013, now abandoned, which is a continuation-in-part of application No. 13/752,820, filed on Jan. 29, 2013, now abandoned.  
 (51) **LOC (11) Cl.** ..... **07-02**  
 (52) **U.S. Cl.**  
 USPC ..... **D7/409**  
 (58) **Field of Classification Search**  
 USPC ..... D7/323, 332, 335-337, 340, 346, D7/354-355, 359-364, 387-388, 402, D7/407-409  
 CPC .... A21B 2/00; A21B 3/00; A21B 3/13; A21B 3/15; A21B 5/00; A21B 5/02; A23N 12/06; A23N 12/08; A23N 12/10; A47J 36/38; A47J 37/00; A47J 37/04; A47J 37/041; A47J 37/042; A47J 37/06; A47J 37/067; A47J 37/0688; A47J 37/0694; A47J 37/07; A47J 37/0704; A47J 37/10; A47J 47/20; A47J 2037/00; A47J 2037/06; A47J 2037/0611; A47J 2037/07; A47J 2037/0786; A47J 2037/0795; F24C 15/10; F24C 15/12; F24C 15/14; F24C 15/16; F24C 15/164; F24C 15/18  
 See application file for complete search history.

- (56) **References Cited**  
 U.S. PATENT DOCUMENTS  
 1,471,039 A \* 10/1923 Lee ..... A47J 37/067  
 99/445  
 1,517,161 A 5/1924 Kershaw  
 D68,133 S \* 9/1925 Cooney ..... 126/214 C  
 4,037,580 A 7/1977 Angelo  
 (Continued)

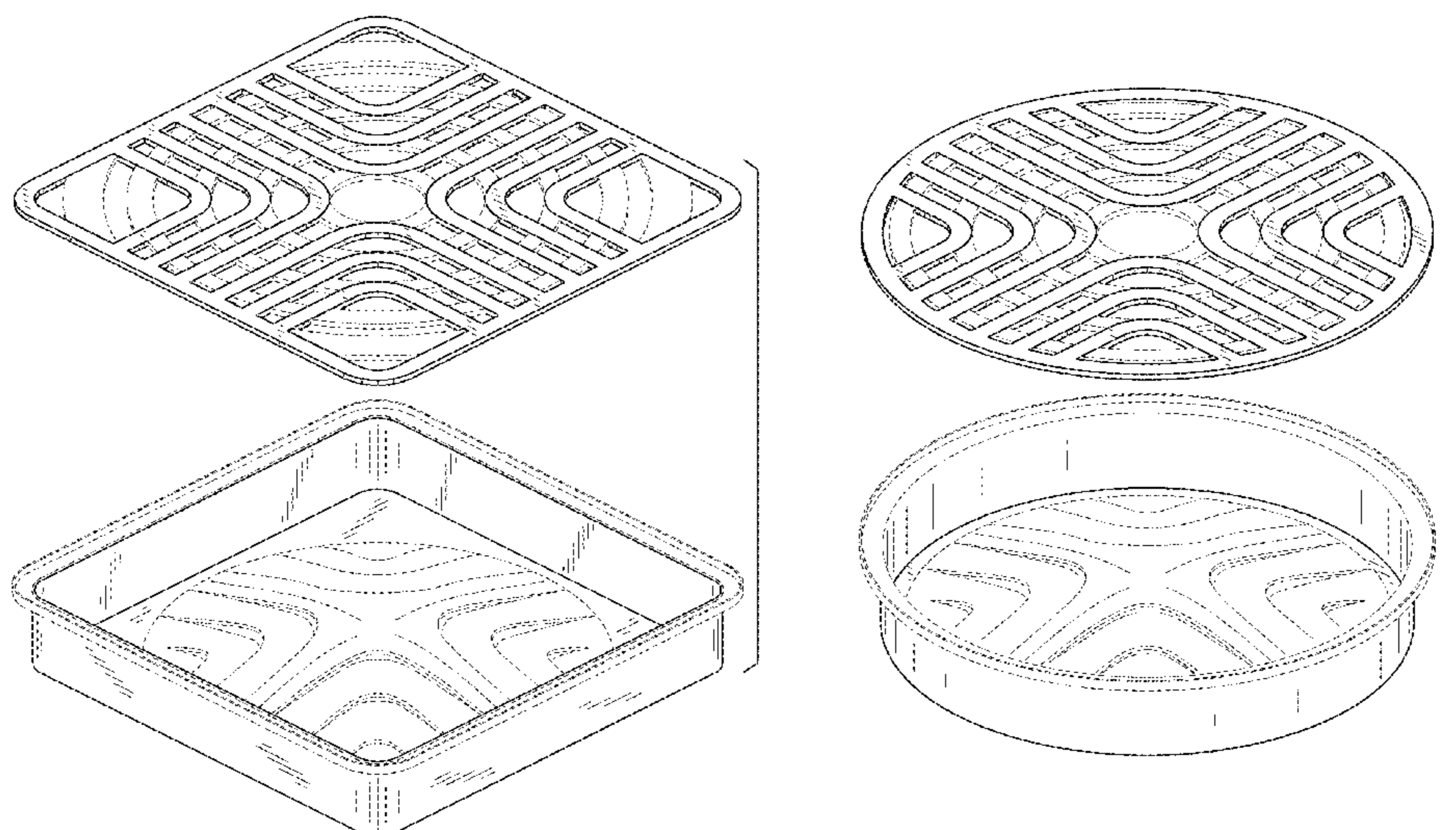
*Primary Examiner* — Ricky Pham  
 (74) *Attorney, Agent, or Firm* — Fishman Stewart PLLC

- (57) **CLAIM**  
 The ornamental design for a grilling apparatus, as shown and described.

**DESCRIPTION**

FIG. 1 is a perspective view of a first embodiment of a grilling apparatus;  
 FIG. 2 is an exploded view of the perspective view shown in FIG. 1;  
 FIG. 3 is a side/profile view of a first embodiment of a grilling apparatus;  
 FIG. 4 is a top view of a first embodiment of a grilling apparatus;  
 FIG. 5 is a bottom view of a first embodiment of a grilling apparatus;  
 FIG. 6 is a perspective view of a second embodiment of a grilling apparatus;  
 FIG. 7 is an exploded view of the perspective view shown in FIG. 6;  
 FIG. 8 is a side/profile view of a second embodiment of a grilling apparatus;  
 FIG. 9 is a top view of a second embodiment of a grilling apparatus; and,  
 FIG. 10 is a bottom view of a second embodiment of a grilling apparatus.  
 Portions of the figures shown in dashed lines are for illustrative purposes only and form no part of the claimed design.

**1 Claim, 8 Drawing Sheets**



(56)

**References Cited**

U.S. PATENT DOCUMENTS

4,351,313	A	9/1982	Kern	
5,024,208	A	6/1991	Hottenroth et al.	
5,211,105	A	5/1993	Liu	
5,237,914	A	8/1993	Carstensen	
5,355,868	A	10/1994	Haen	
D369,061	S *	4/1996	Holbrook, Jr. ....	D7/408
D378,262	S *	3/1997	Sparks .....	D7/408
5,735,260	A	4/1998	Rimback	
D448,604	S	10/2001	Cho	
6,363,842	B1 *	4/2002	Lin .....	A47J 36/38 126/299 D
6,520,174	B1	2/2003	Scigliuolo	
6,622,616	B1	9/2003	Measom	
6,701,829	B2	3/2004	Farrow	
D489,933	S *	5/2004	Rummel .....	D7/346
D510,227	S *	10/2005	Baldwin .....	D7/340
D554,945	S *	11/2007	Chung .....	D7/409
D564,282	S *	3/2008	Suh .....	D7/340
D564,838	S *	3/2008	Shin .....	D7/408
D602,738	S *	10/2009	Bengtson .....	D7/408
D703,484	S *	4/2014	Boo .....	D7/408
D722,820	S *	2/2015	Pionek .....	D7/408
2011/0252977	A1	10/2011	Sacherman	

\* cited by examiner

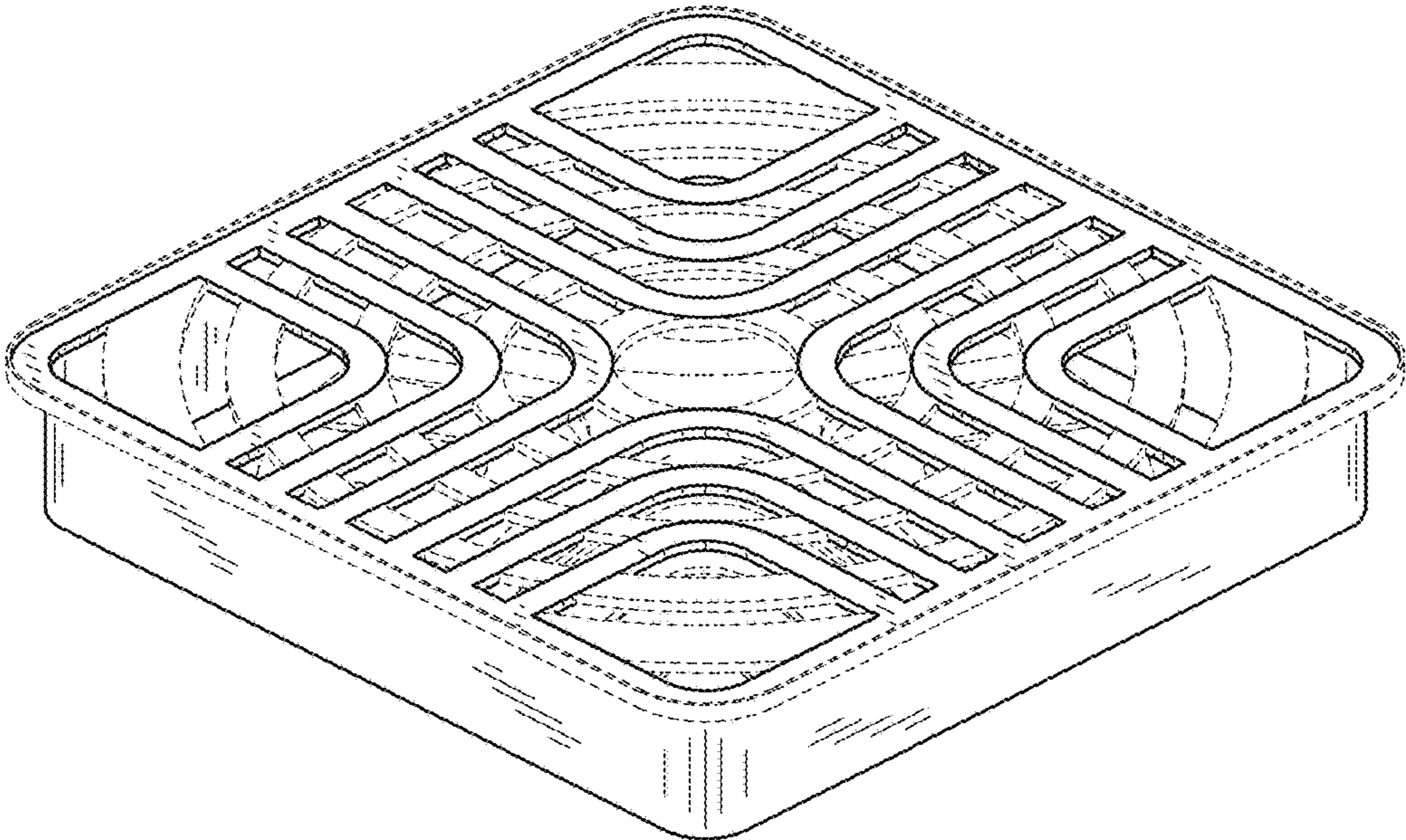


FIG. 1



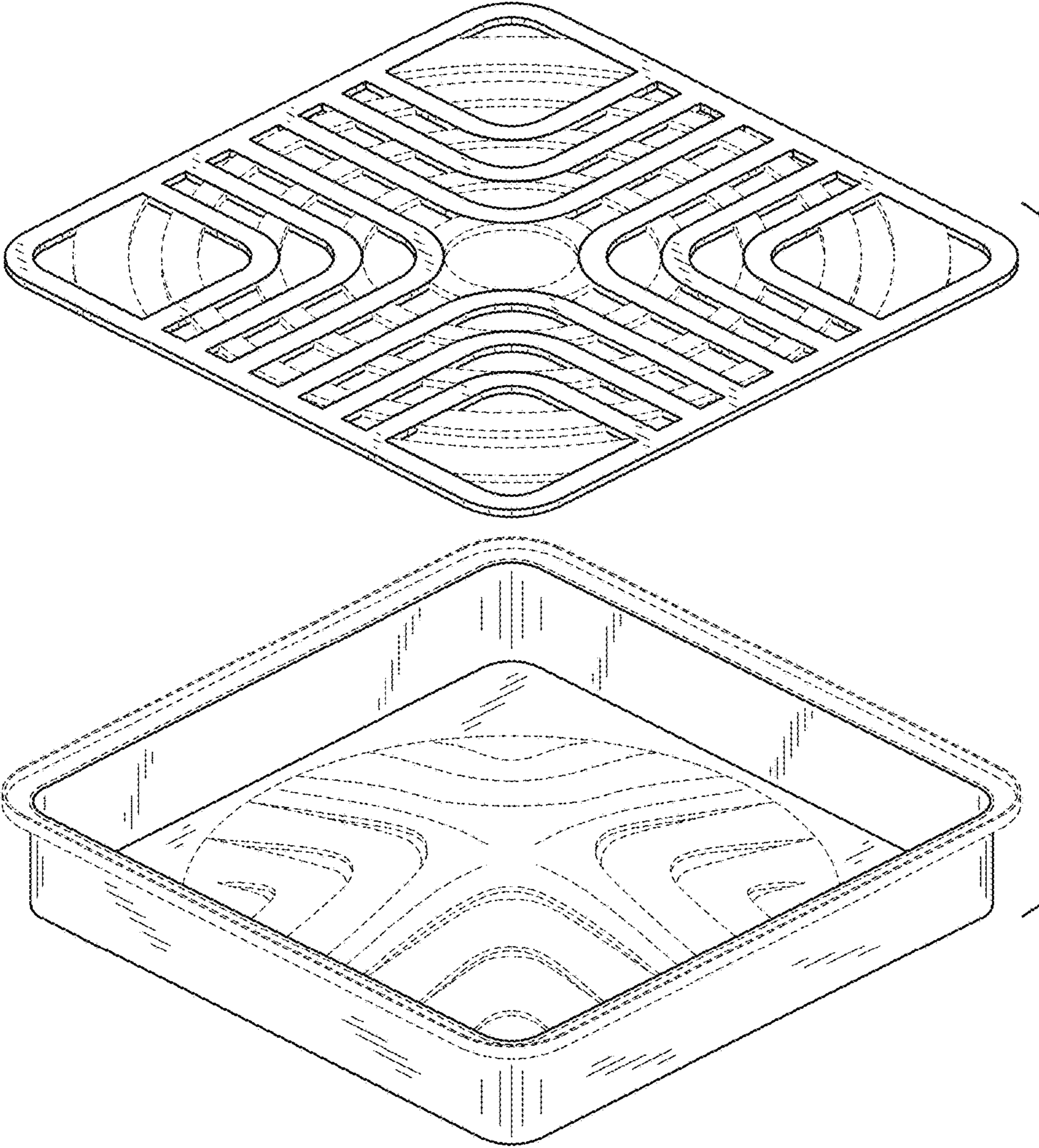


FIG. 2

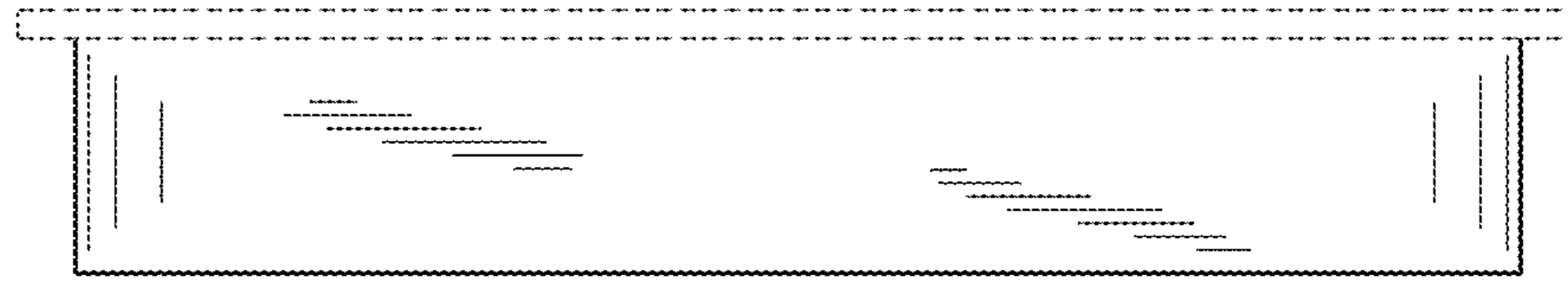


FIG. 3

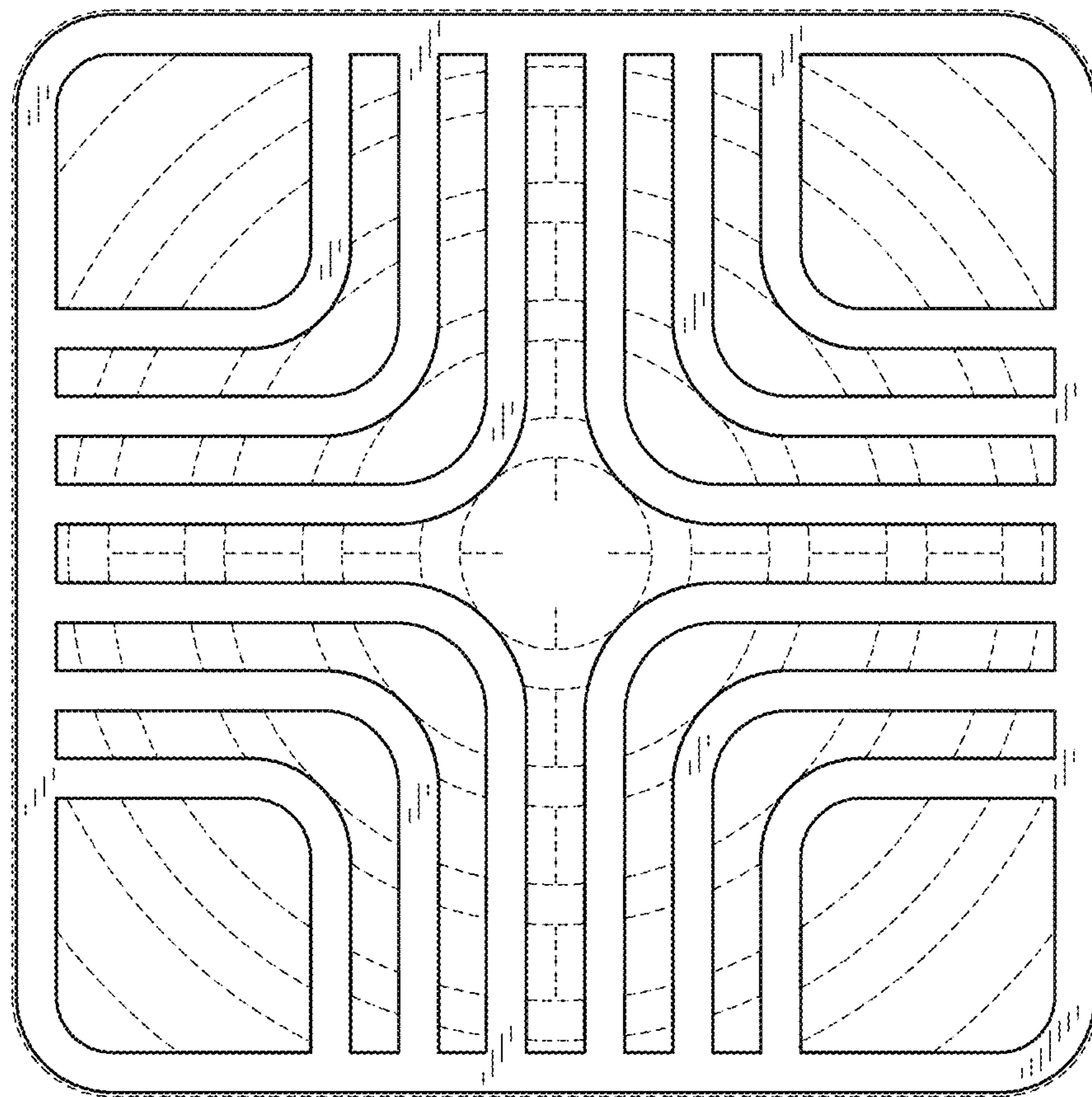


FIG. 4

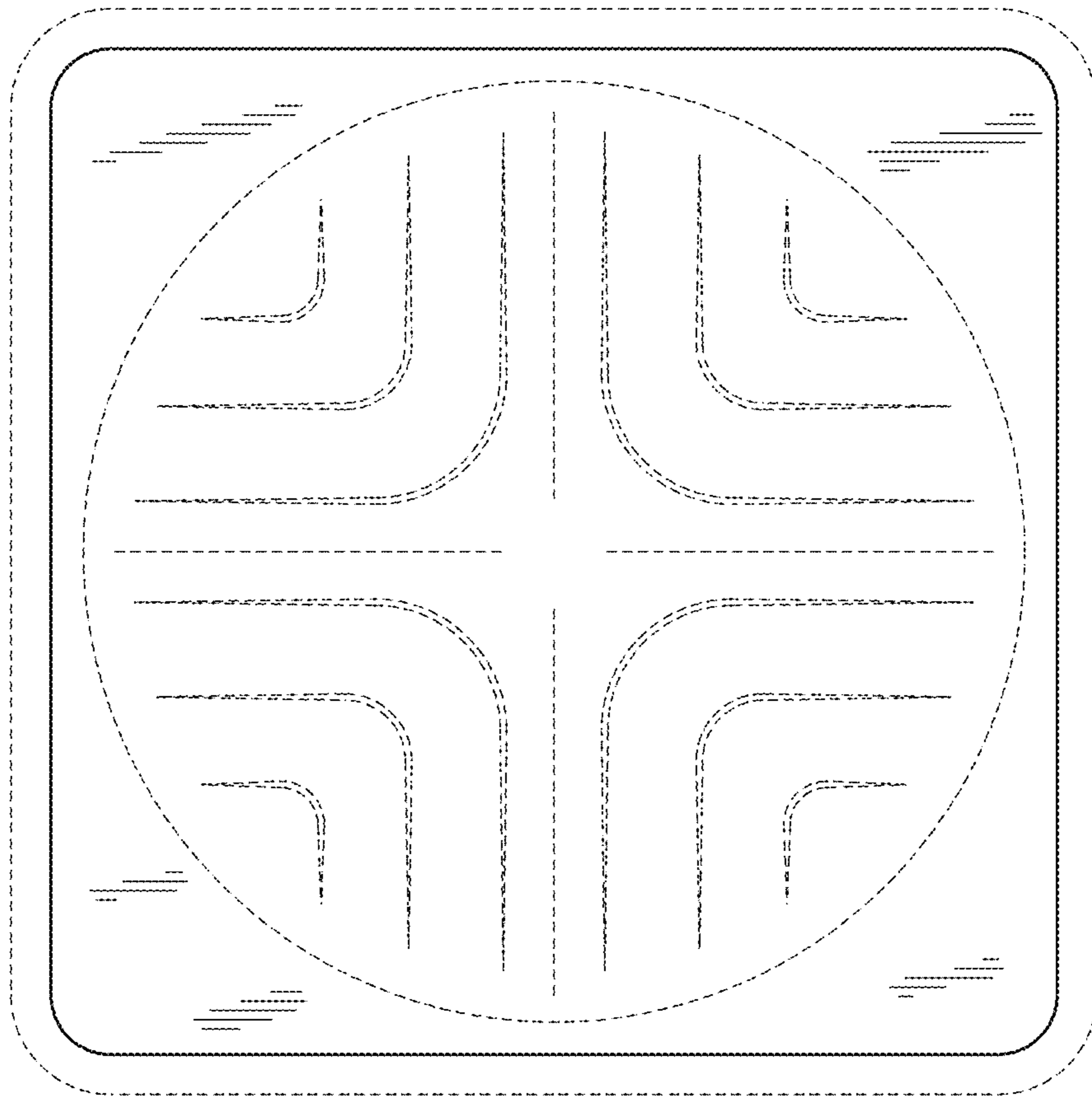


FIG. 5

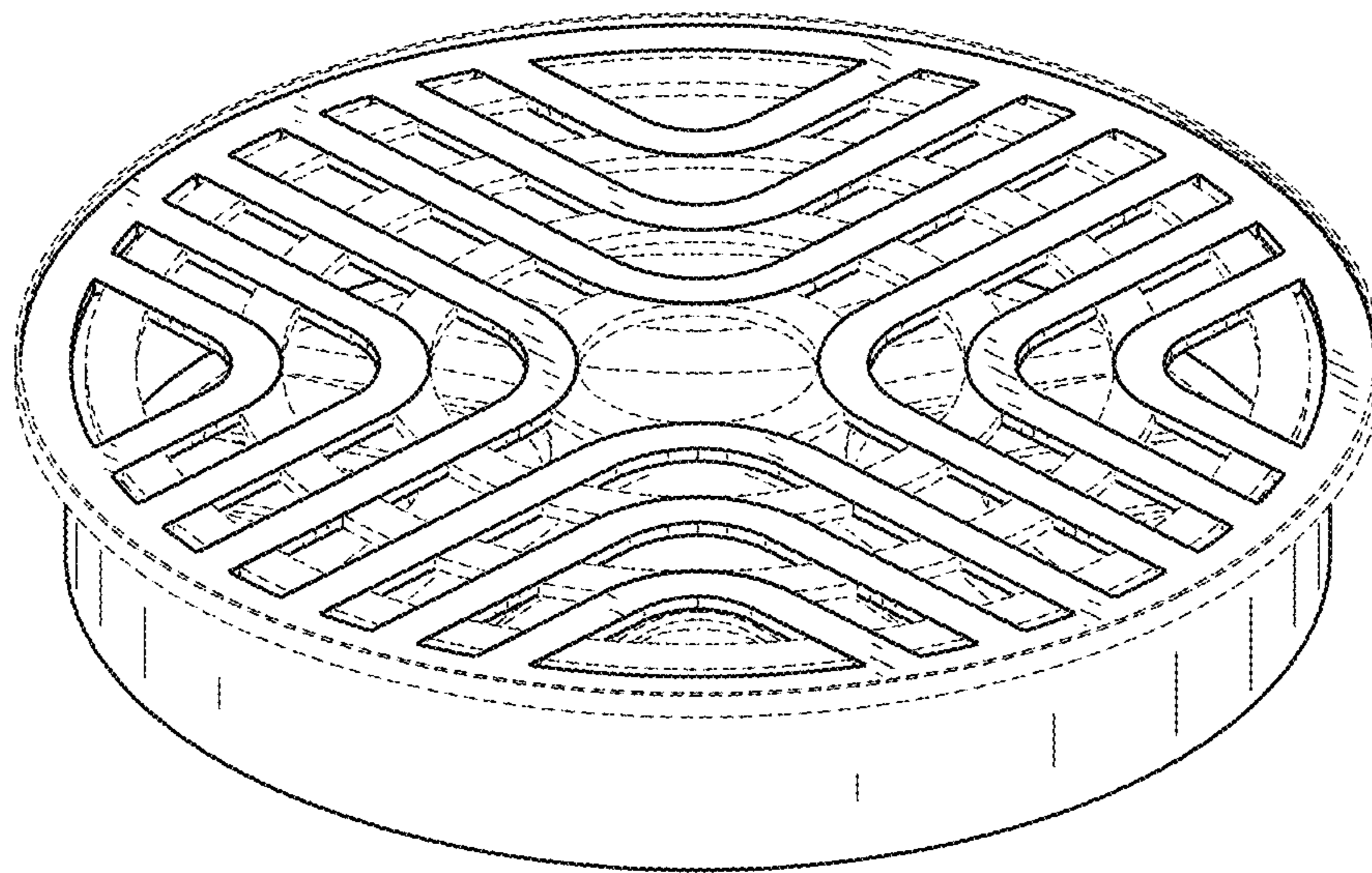


FIG. 6



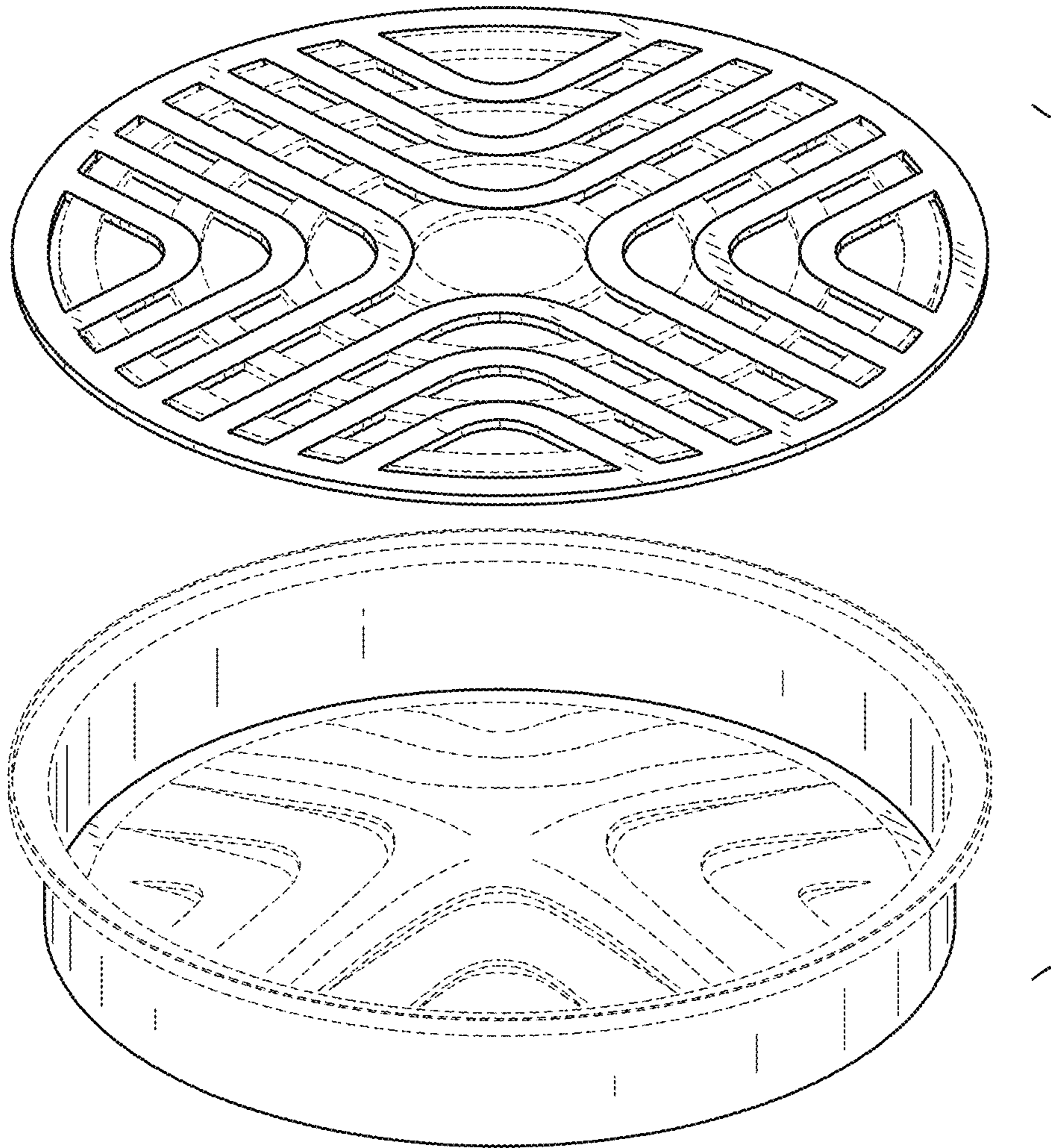


FIG. 7



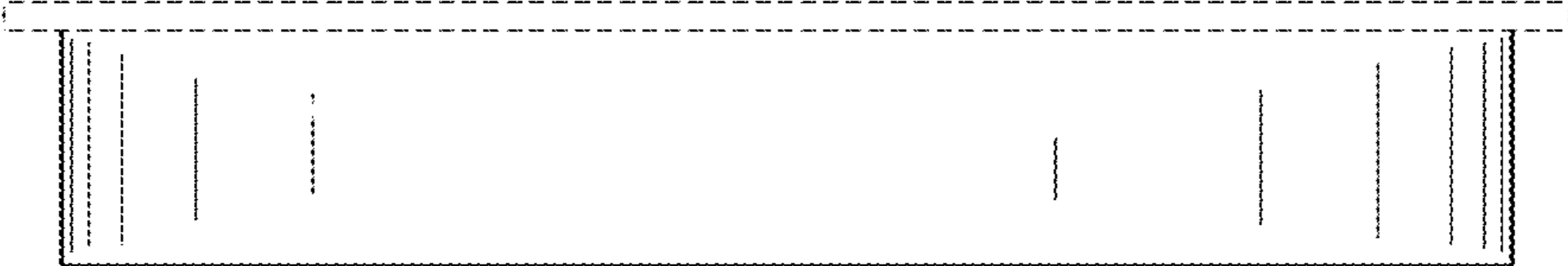


FIG. 8

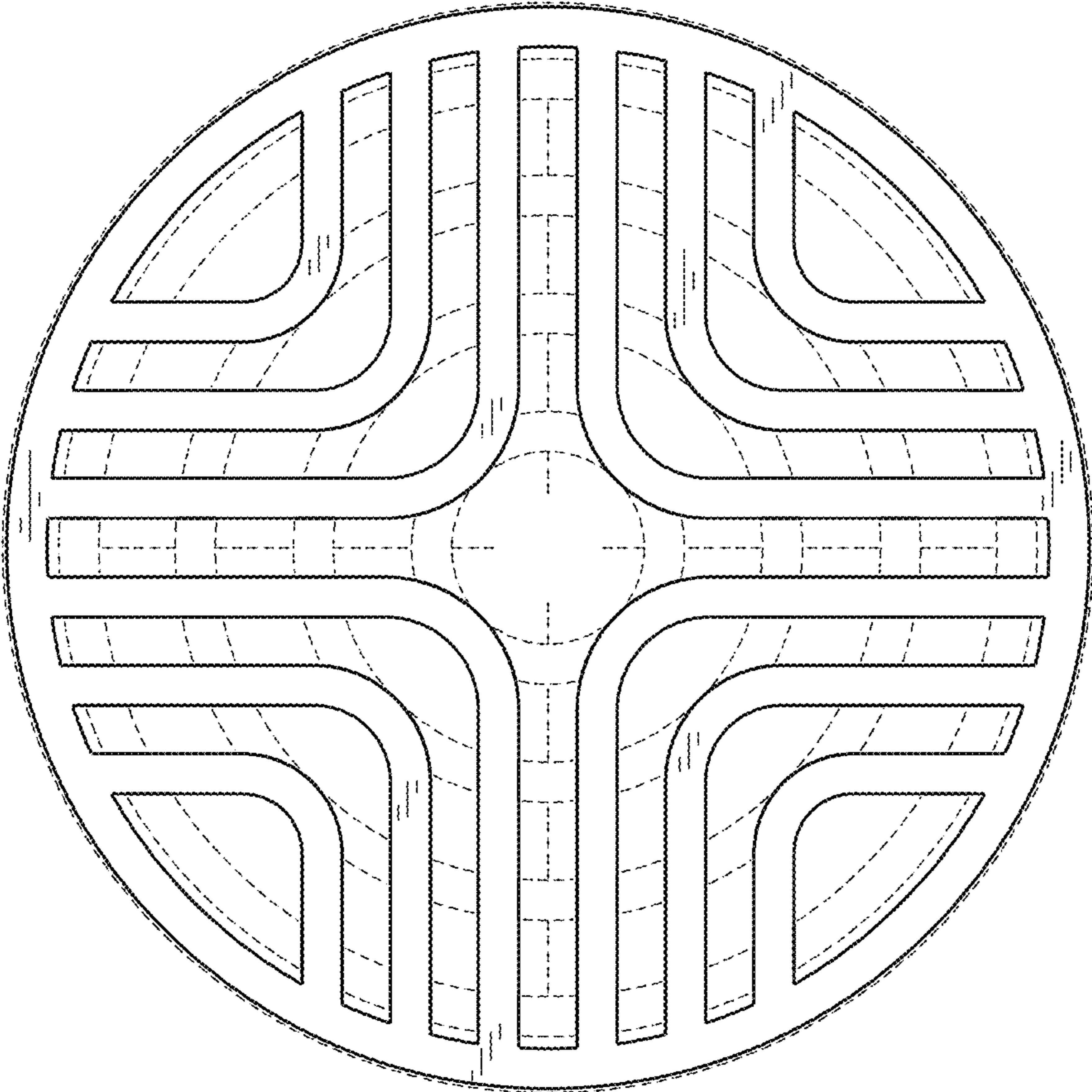


FIG. 9

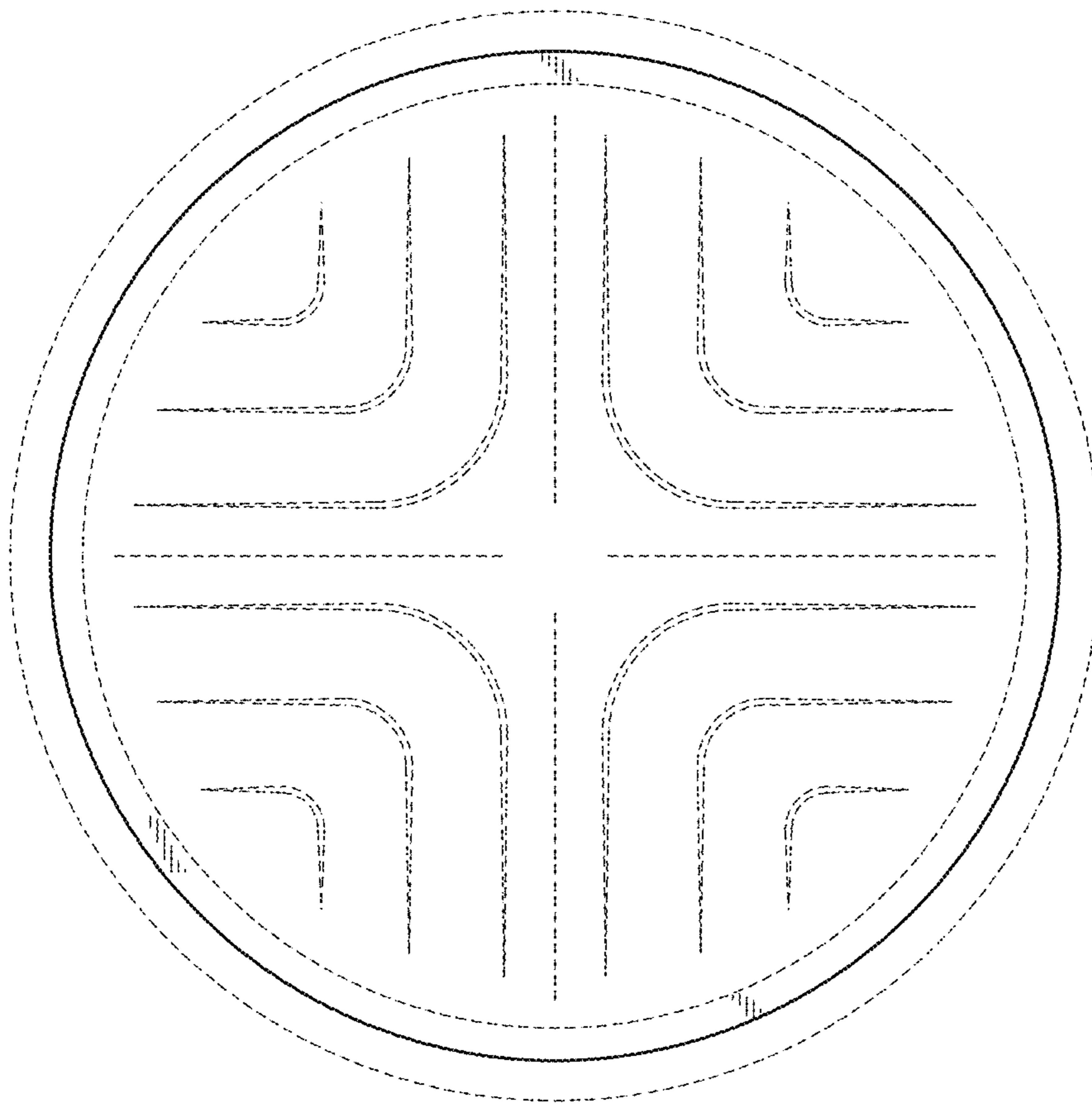


FIG. 10