



US00D809339S

(12) **United States Design Patent**
Lo

(10) **Patent No.:** **US D809,339 S**
(45) **Date of Patent:** **** Feb. 6, 2018**

(54) **KNIFE HANDLE**
(71) Applicant: **Wiko Cutlery Limited, N.T. (HK)**
(72) Inventor: **Wai Kim Lo, N.T. (HK)**
(**) Term: **15 Years**
(21) Appl. No.: **29/575,151**
(22) Filed: **Aug. 23, 2016**

D455,937 S * 4/2002 Huebner D7/649
D538,590 S * 3/2007 Stahl D7/395
D557,081 S * 12/2007 Hadj-Chikh D7/649
D649,411 S * 11/2011 Lo D7/649
D649,840 S * 12/2011 Lo D7/649
D649,841 S * 12/2011 Lo D7/649
D688,913 S * 9/2013 Lo D7/401.2
D773,891 S * 12/2016 Liu D7/401.2
D796,914 S * 9/2017 Liu D7/649
D796,915 S * 9/2017 Liu D7/649
2002/0144410 A1 * 10/2002 Hufnagel B24D 15/08
30/344

(30) **Foreign Application Priority Data**

Aug. 3, 2016 (CN) 2016 3 0365997

(51) **LOC (11) Cl.** **07-03**

(52) **U.S. Cl.**
USPC **D7/401.2; D7/649**

(58) **Field of Classification Search**
USPC D7/393-395, 401.2, 642-652, 673,
D7/682-683, 693, 695-696; D8/93,
D8/97-100, 107, 300, 321; D22/117-118
CPC A01B 1/20; A01B 1/22; A22C 25/006;
A47G 21/06; A47G 21/065; A47J 17/02;
A61B 17/3211; A61B 17/3213; B21D
53/64; B24D 15/08; B25G 3/36; B26B
1/00; B26B 1/08; B26B 1/10; B26B 3/00;
B26B 3/02; B26B 3/03; B26B 3/04;
B26B 3/06; B26B 5/00; B26B 5/001;
B26B 5/007; B26B 7/00; B26B 7/005;
B26B 9/00; B26B 9/02; B26B 11/00;
B26B 11/006; B26B 17/00; B26B 17/006;
B26B 29/02

See application file for complete search history.

(56) **References Cited**

U.S. PATENT DOCUMENTS

5,081,770 A * 1/1992 Fierthaler A47J 17/02
30/351
D448,253 S * 9/2001 Staib, Jr. D7/649

* cited by examiner

Primary Examiner — Ricky Pham

(74) *Attorney, Agent, or Firm* — Prakash Nama; Global IP Services, PLLC

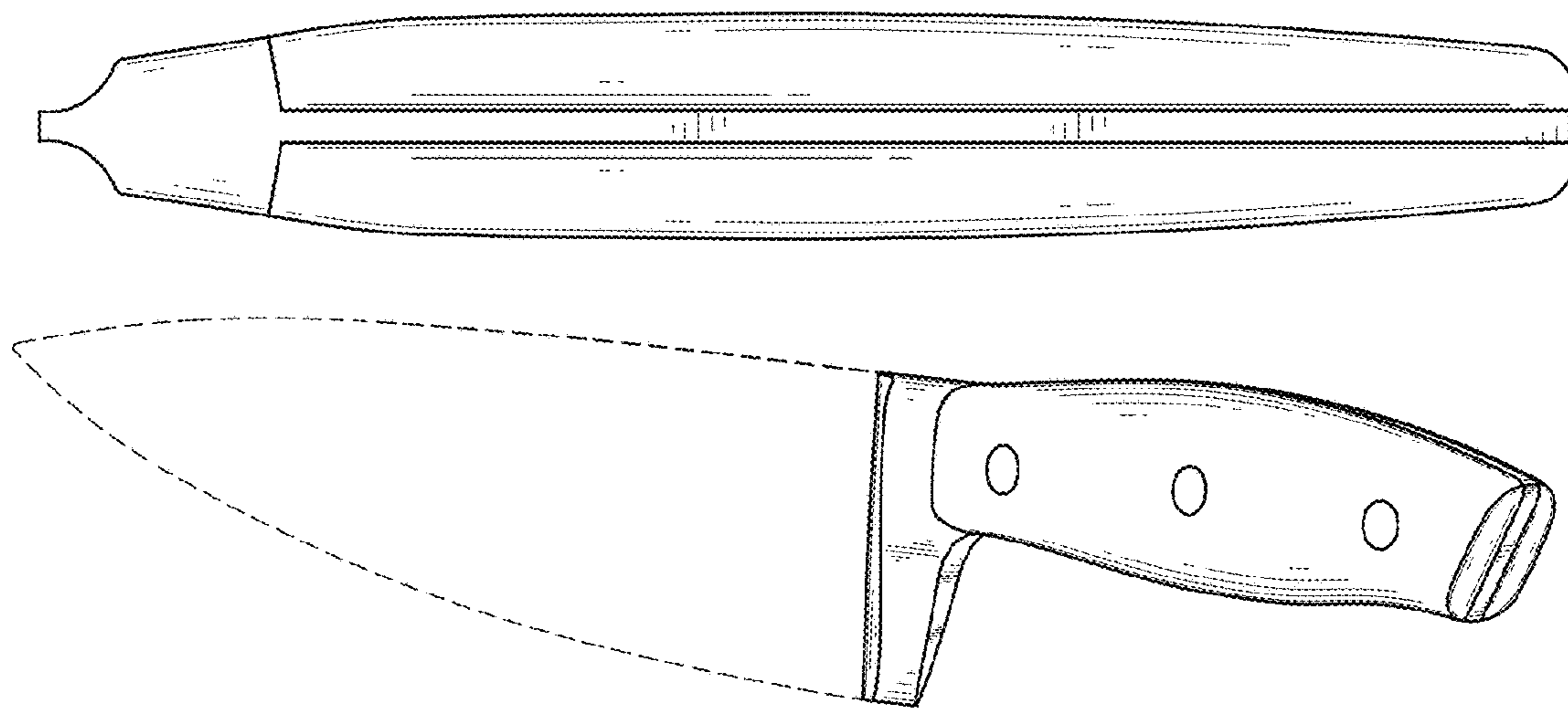
(57) **CLAIM**

The ornamental design for a knife handle, as shown and described.

DESCRIPTION

FIG. 1 is a front elevational view of a knife handle showing my new design;
FIG. 2 is a rear elevational view thereof;
FIG. 3 is a left side view thereof;
FIG. 4 is a right side view thereof;
FIG. 5 is a top plan view thereof;
FIG. 6 is a bottom plan view thereof;
FIG. 7 is a perspective view thereof; and,
FIG. 8 is another perspective view thereof.
The broken lines shown in FIG. 8 form no part of the claimed design.

1 Claim, 3 Drawing Sheets



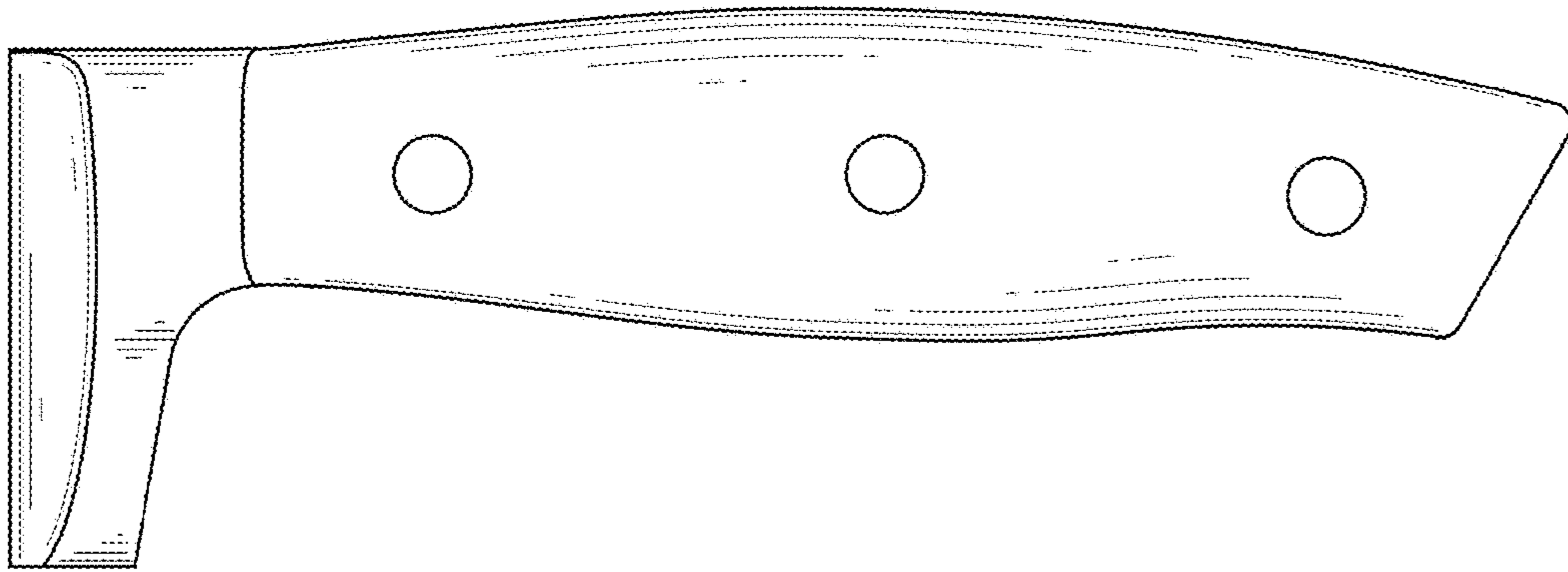


FIG. 1

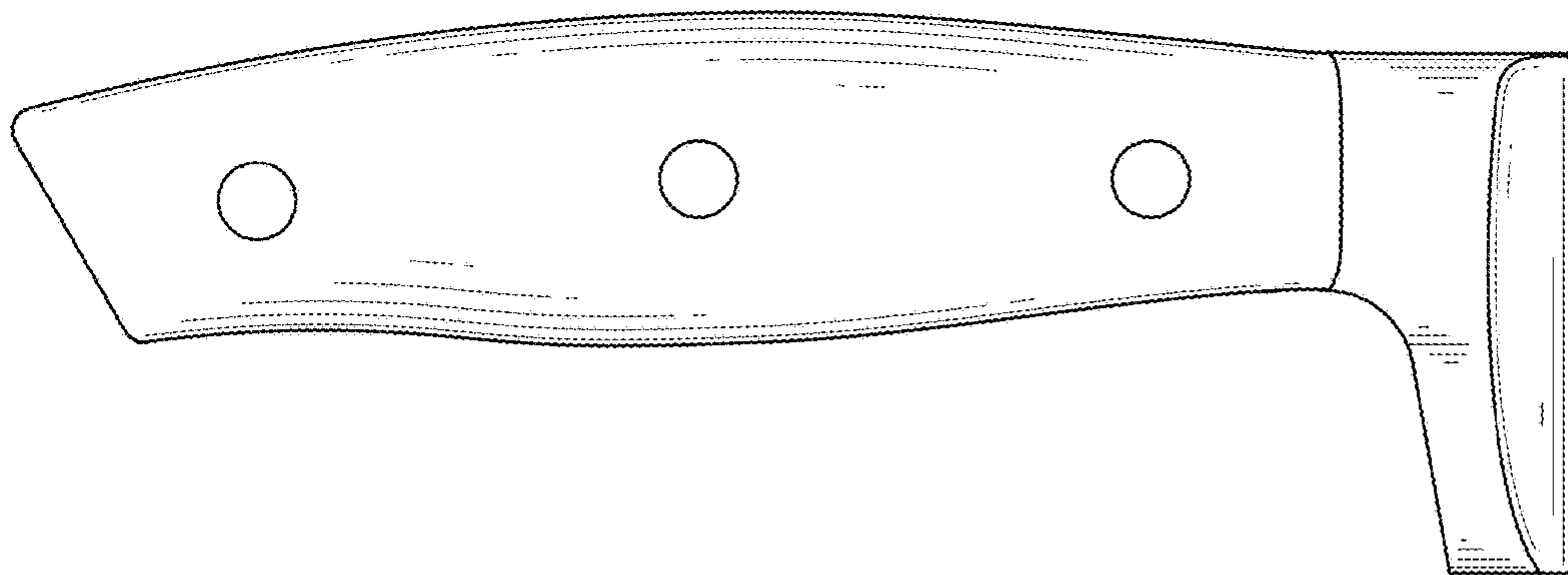


FIG. 2

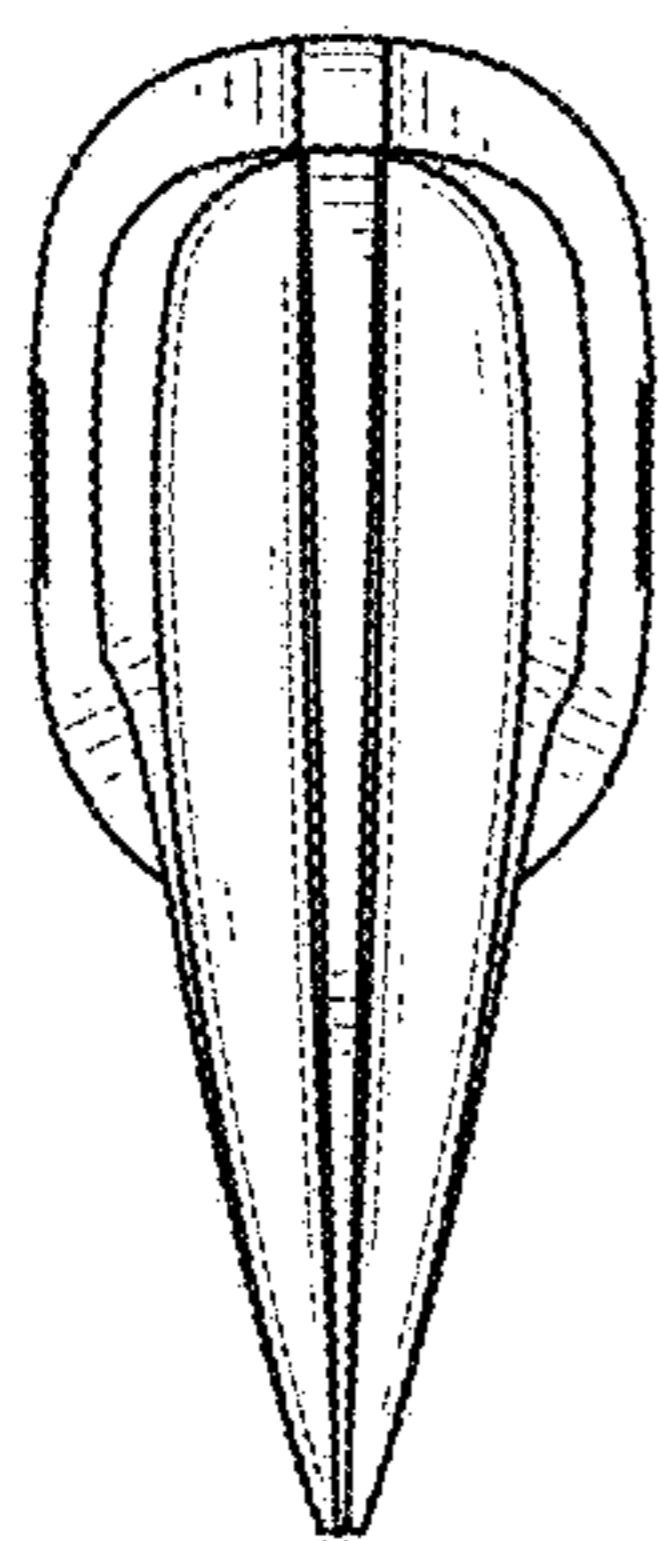


FIG. 3

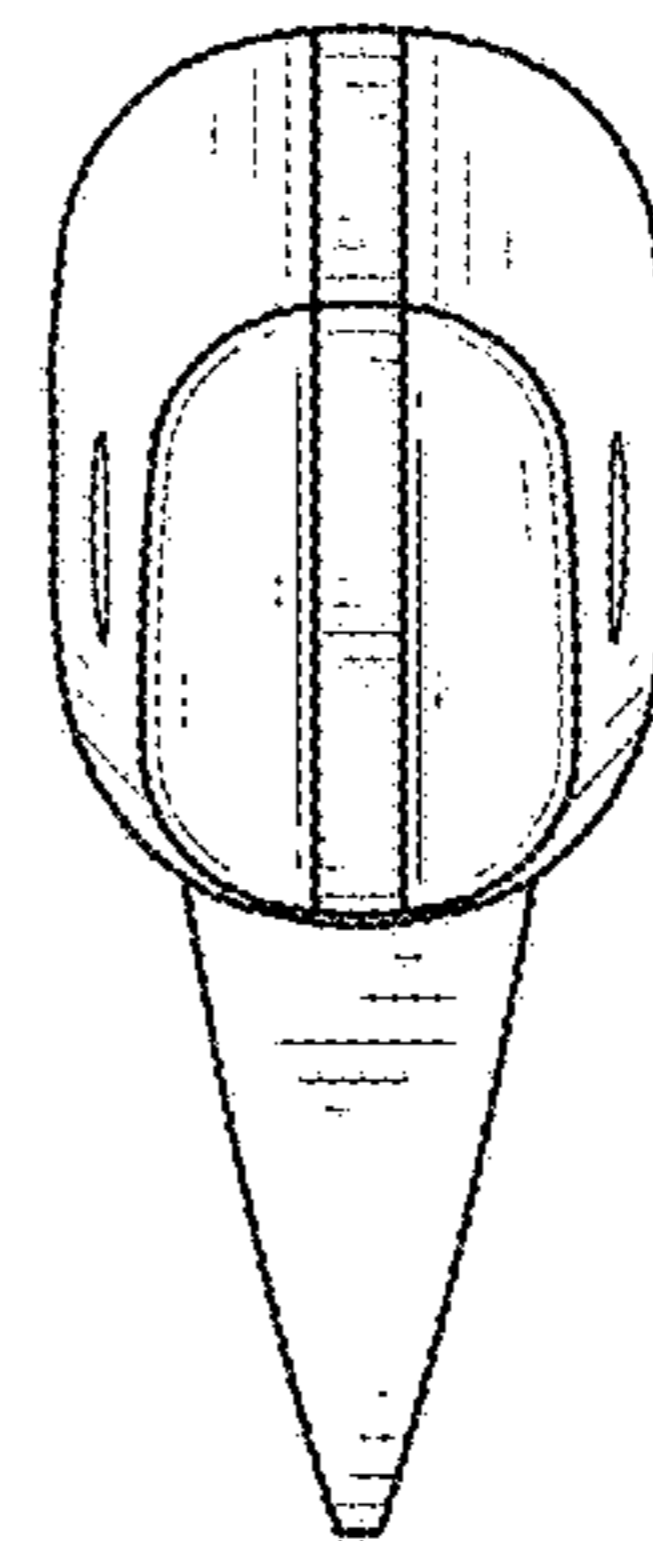


FIG. 4



FIG. 5

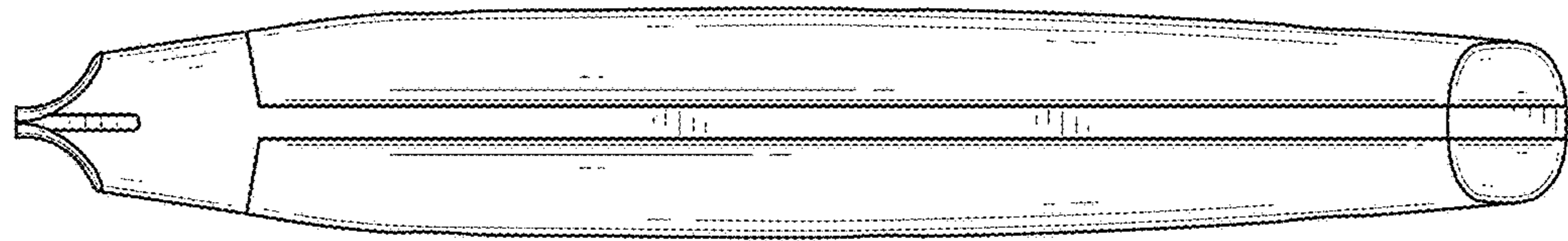


FIG. 6

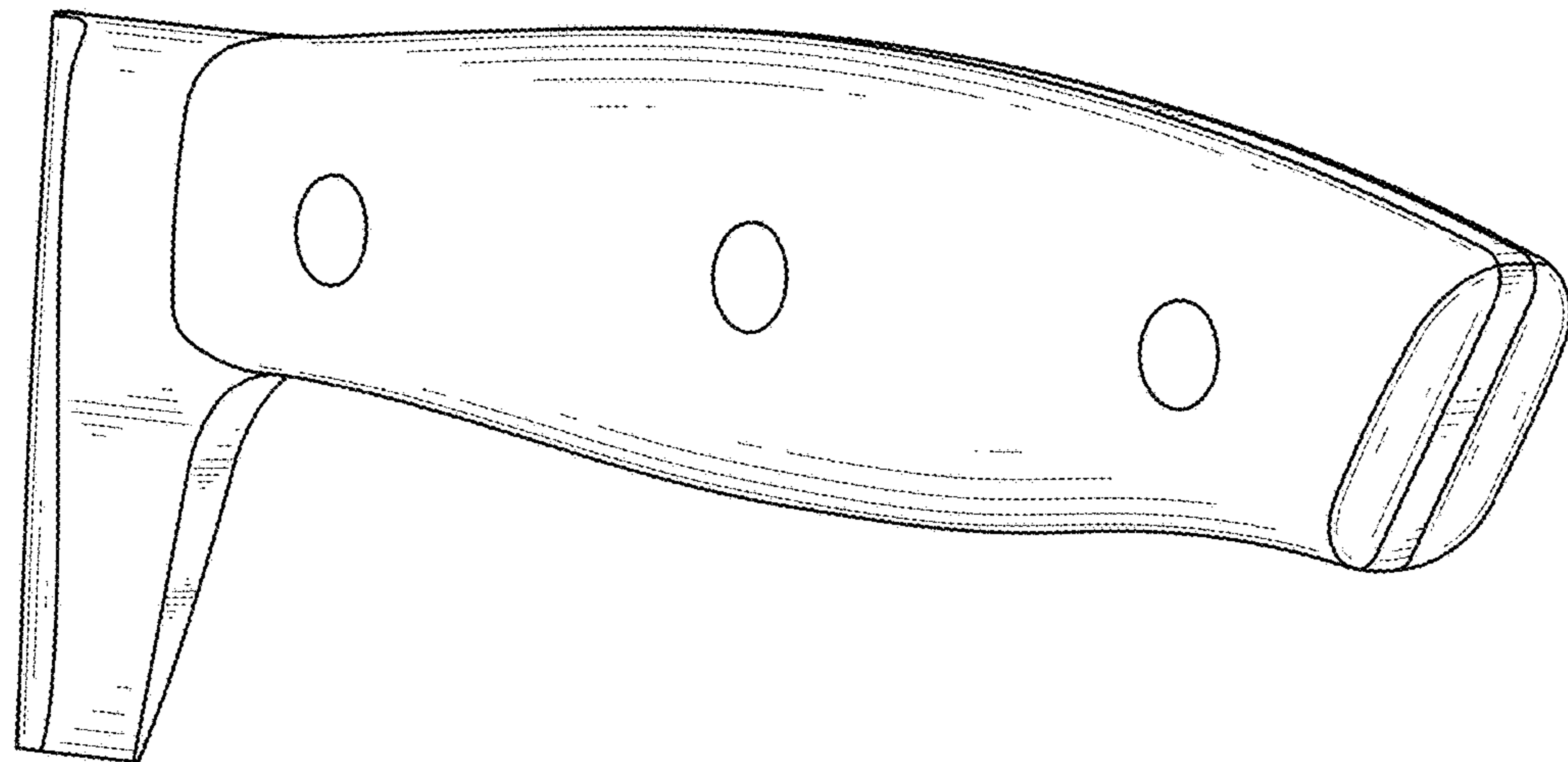


FIG. 7

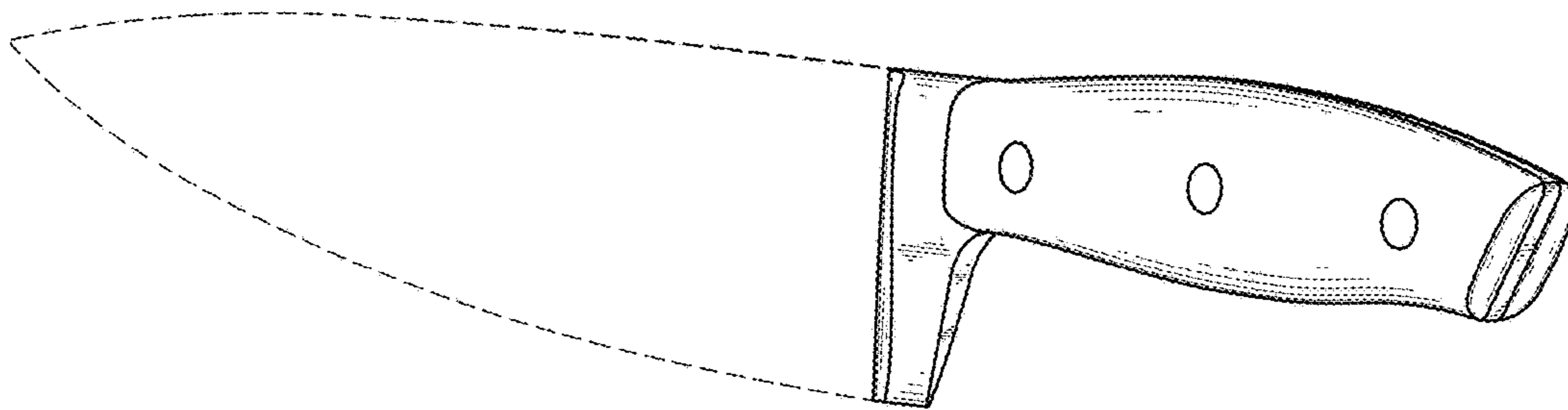


FIG. 8