



US00D809338S

(12) **United States Design Patent**
Mikami

(10) **Patent No.:** **US D809,338 S**

(45) **Date of Patent:** **** Feb. 6, 2018**

- (54) **COFFEE DRIPPER**
- (71) Applicant: **MacMa Co., Ltd.**, Tokyo (JP)
- (72) Inventor: **Masao Mikami**, Tokyo (JP)
- (73) Assignee: **MACMA CO., LTD.**, Tokyo (JP)
- (**) Term: **15 Years**
- (21) Appl. No.: **29/572,526**
- (22) Filed: **Jul. 28, 2016**

- 4,419,232 A * 12/1983 Arntyr E03C 1/262
210/164
 - D302,635 S * 8/1989 Friedman D7/667
 - 5,424,083 A * 6/1995 Lozito A47J 31/005
426/110
 - 6,035,907 A * 3/2000 DeCoster B67C 11/00
141/331
 - D563,161 S * 3/2008 Bodum D7/399
 - D564,599 S * 3/2008 Yazdi D21/349
 - D580,696 S * 11/2008 Bodum D7/316
 - D741,647 S * 10/2015 Boczkowski D7/399
 - D764,864 S * 8/2016 Hertaus D7/400
 - D764,865 S * 8/2016 Hertaus D7/400
 - 9,629,379 B2 * 4/2017 Lown A23F 3/00
- (Continued)

- (30) **Foreign Application Priority Data**
- Jan. 29, 2016 (JP) 2016-003265
- (51) **LOC (11) Cl.** **07-99**
- (52) **U.S. Cl.**
- USPC **D7/400**
- (58) **Field of Classification Search**
- USPC D7/400, 399, 397, 700, 369, 667;
99/289 D, 323
- CPC A47J 31/02; A47J 31/06; A47G 19/00;
B65D 85/808
- See application file for complete search history.

Primary Examiner — Marianne Pandozzi
(74) *Attorney, Agent, or Firm* — Browdy and Neimark, PLLC

(57) **CLAIM**

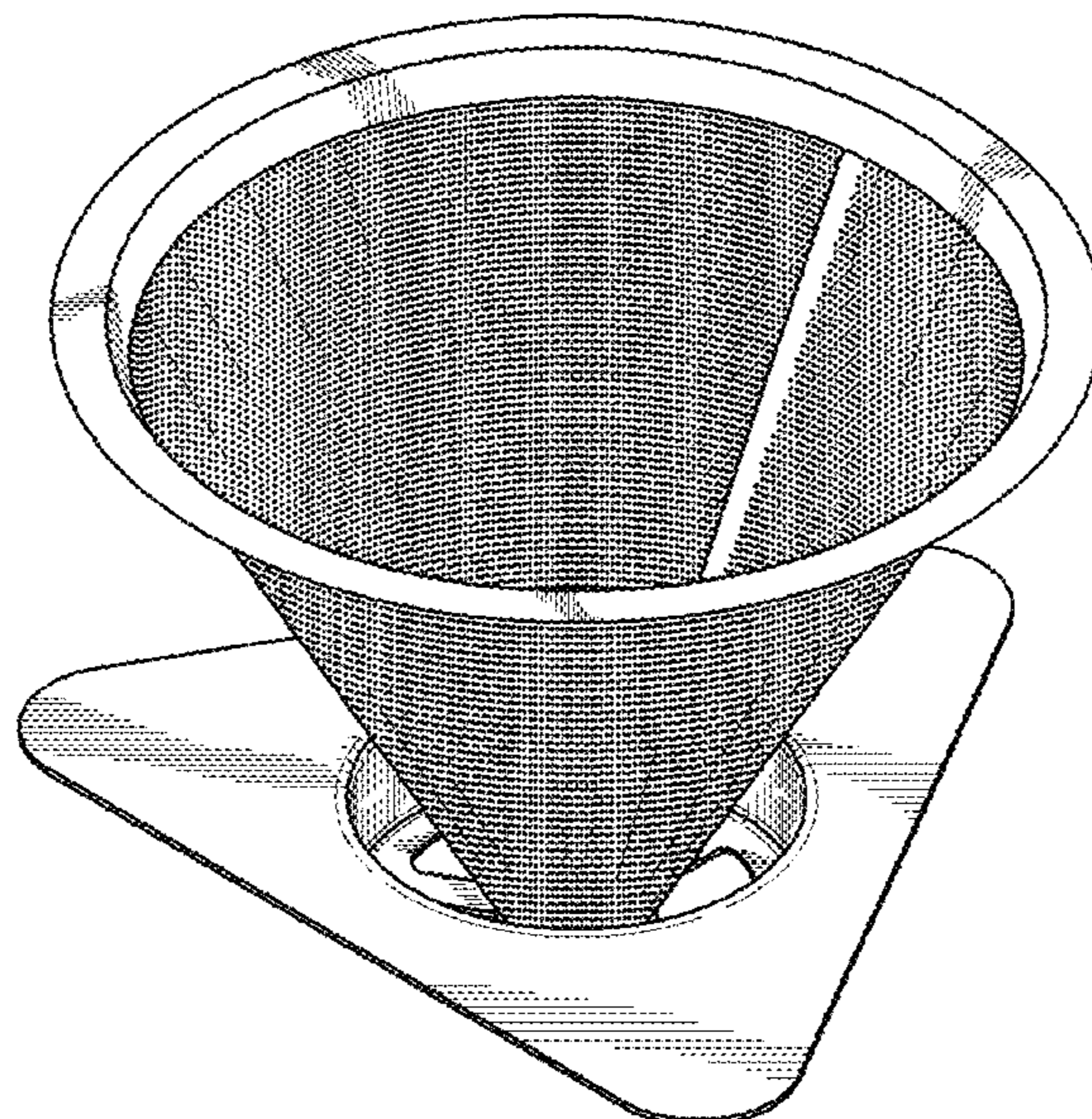
The ornamental design for a coffee dripper, as shown.

DESCRIPTION

FIG. 1 is a front elevational view of a coffee dripper showing my new design;
 FIG. 2 is a rear elevational view thereof;
 FIG. 3 is an enlarged detail showing a portion of the surface pattern taken along lines 3A-3A and 3B-3B of FIG. 1;
 FIG. 4 is a left side elevational view thereof;
 FIG. 5 is a right side elevational view thereof;
 FIG. 6 is a top plan view thereof;
 FIG. 7 is an enlarged sectional view taken along line 7-7 of FIG. 6;
 FIG. 8 is a bottom plan view thereof;
 FIG. 9 is a perspective view thereof, viewed from above; and,
 FIG. 10 is a perspective view thereof, viewed from the bottom.

- (56) **References Cited**
- U.S. PATENT DOCUMENTS
- 956,332 A * 4/1910 Fuller E04D 13/076
210/473
- 2,234,397 A * 3/1941 Bentz A47J 31/06
210/455
- 2,811,181 A * 10/1957 Correll B67C 11/02
141/340
- D185,115 S * 5/1959 Beerman D23/200
- D203,854 S * 2/1966 Douglas D7/400
- 3,334,574 A * 8/1967 Douglas A47J 31/02
210/455
- 3,971,305 A * 7/1976 Daswick A47J 31/02
210/474

1 Claim, 10 Drawing Sheets



(56)

References Cited

U.S. PATENT DOCUMENTS

D790,915 S *	7/2017	Yeh	D7/400
D791,535 S *	7/2017	Yeh	D7/400
2011/0041702 A1*	2/2011	Yoakim	B65D 85/8043 99/302 R
2011/0151075 A1*	6/2011	Peterson	A47J 31/002 426/238
2016/0060025 A1*	3/2016	Dunn	B65F 1/0006 206/409

* cited by examiner

FIG. 1

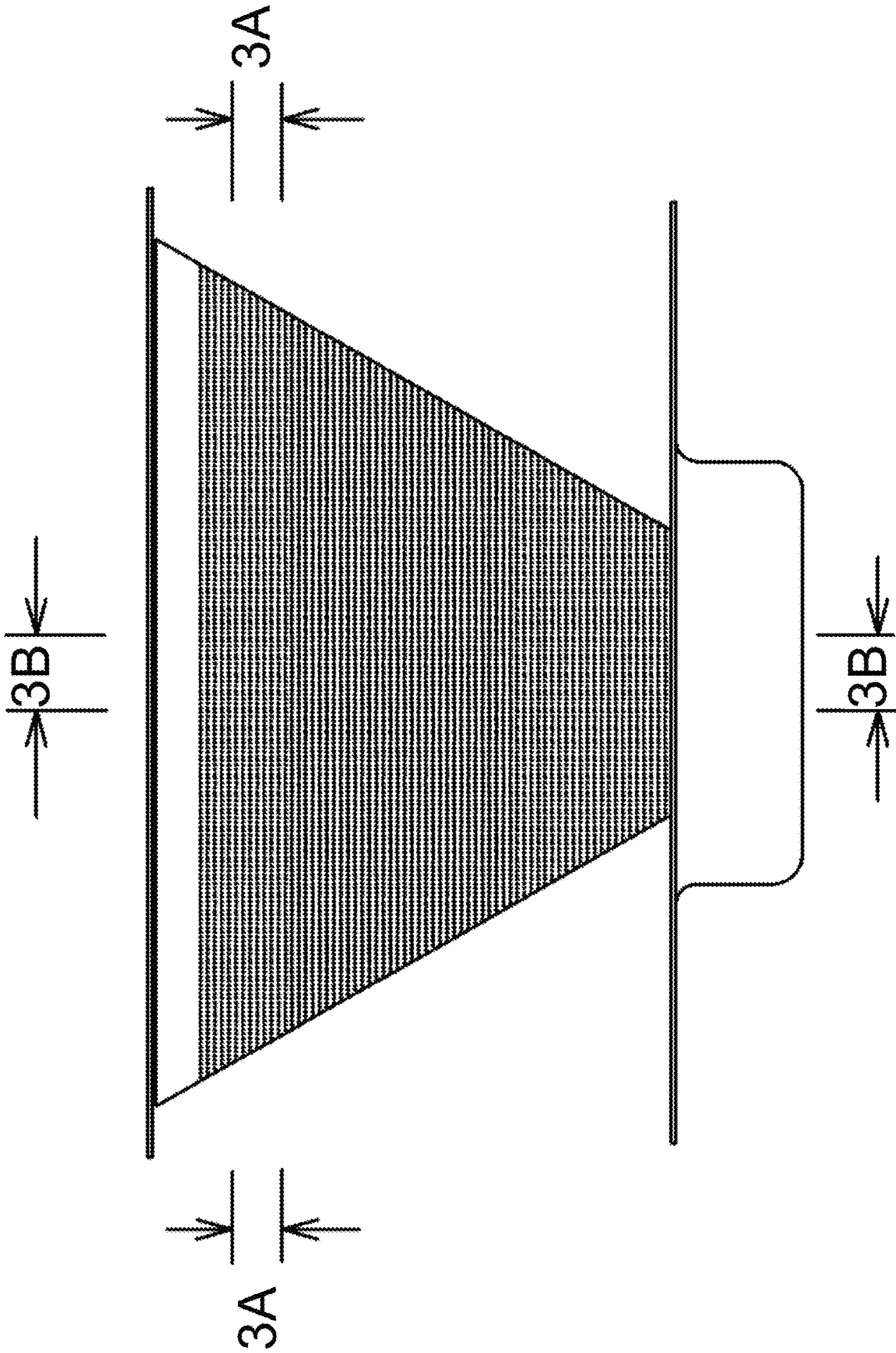


FIG. 2

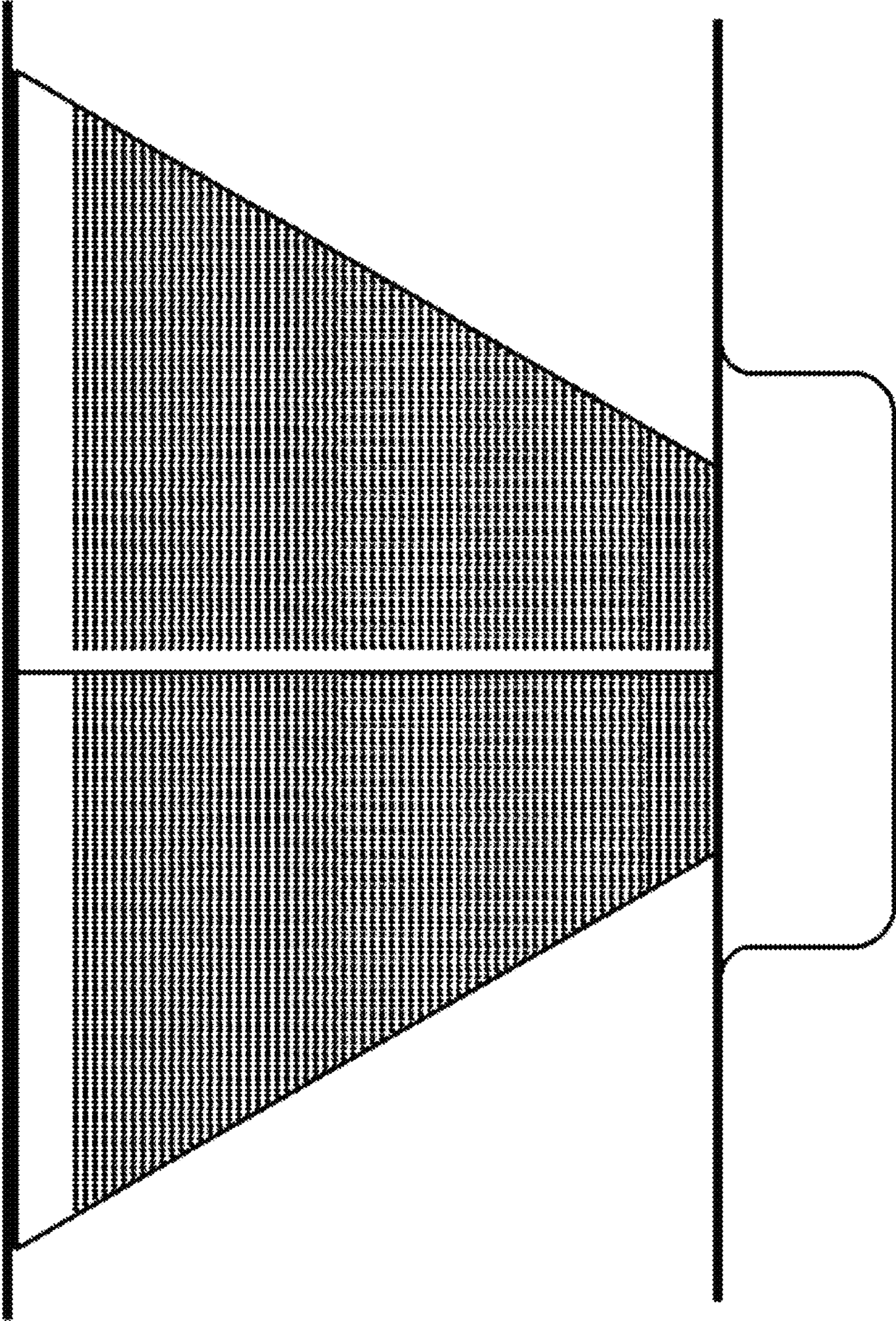


FIG. 3

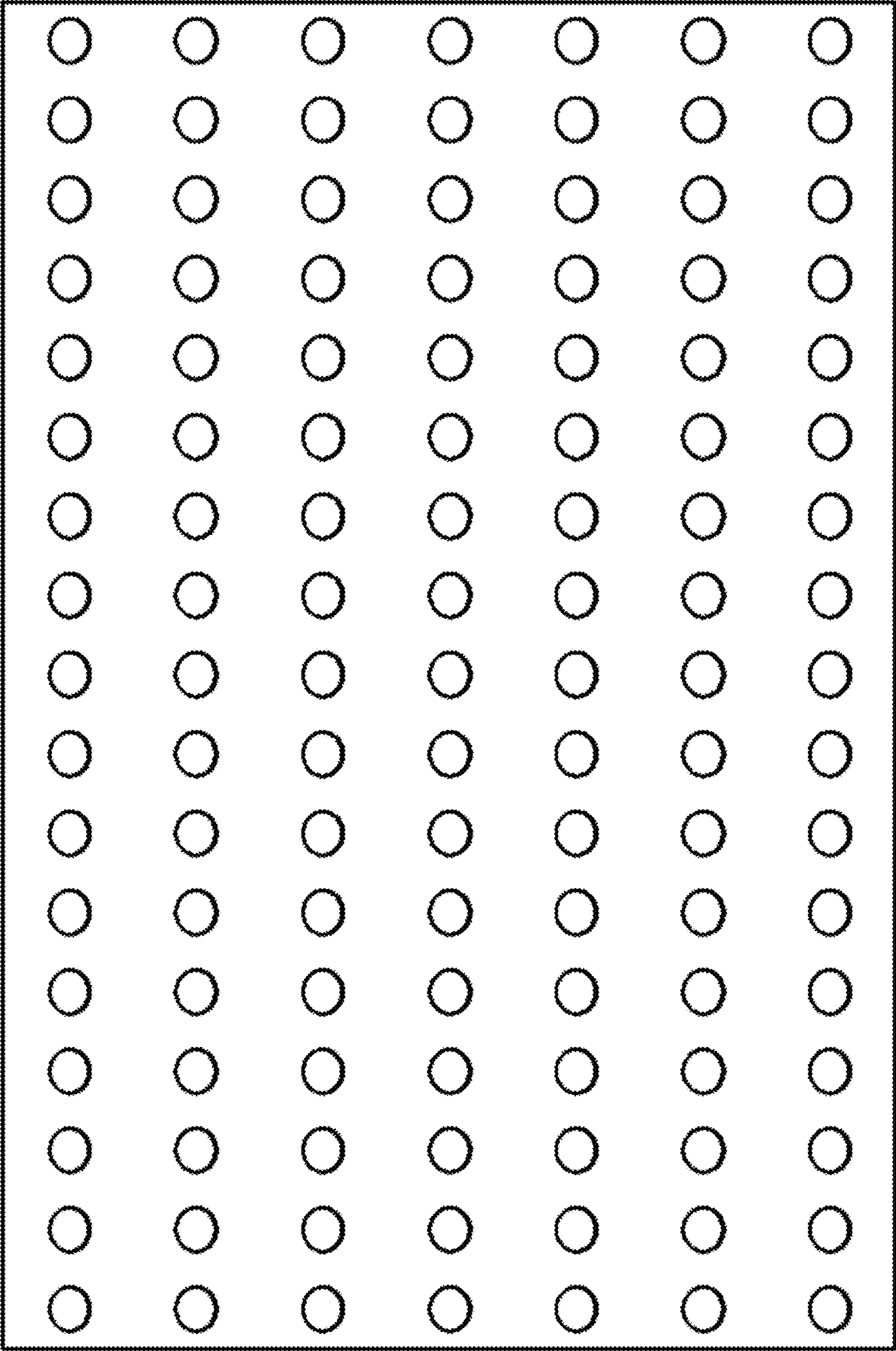


FIG. 4

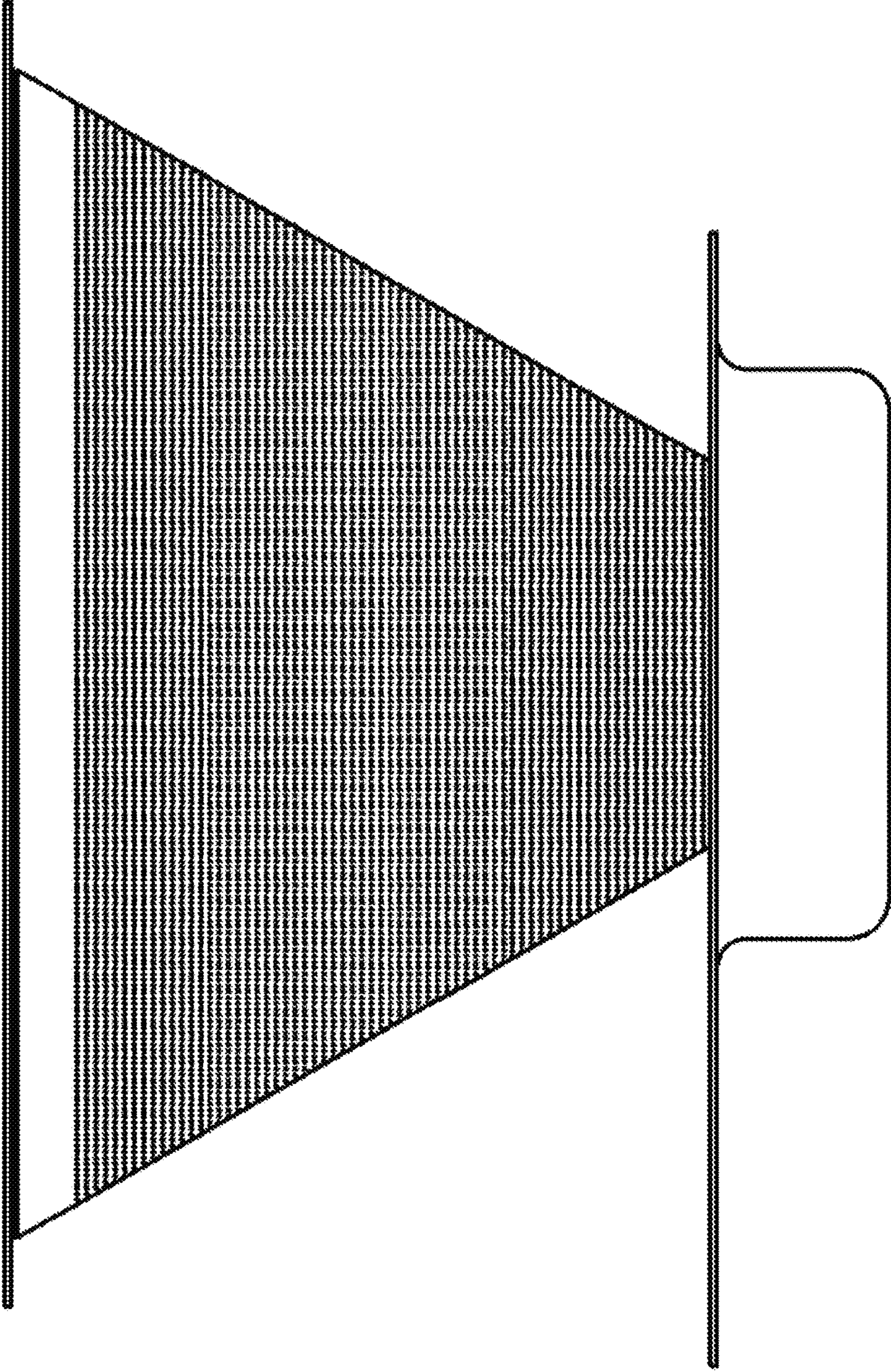
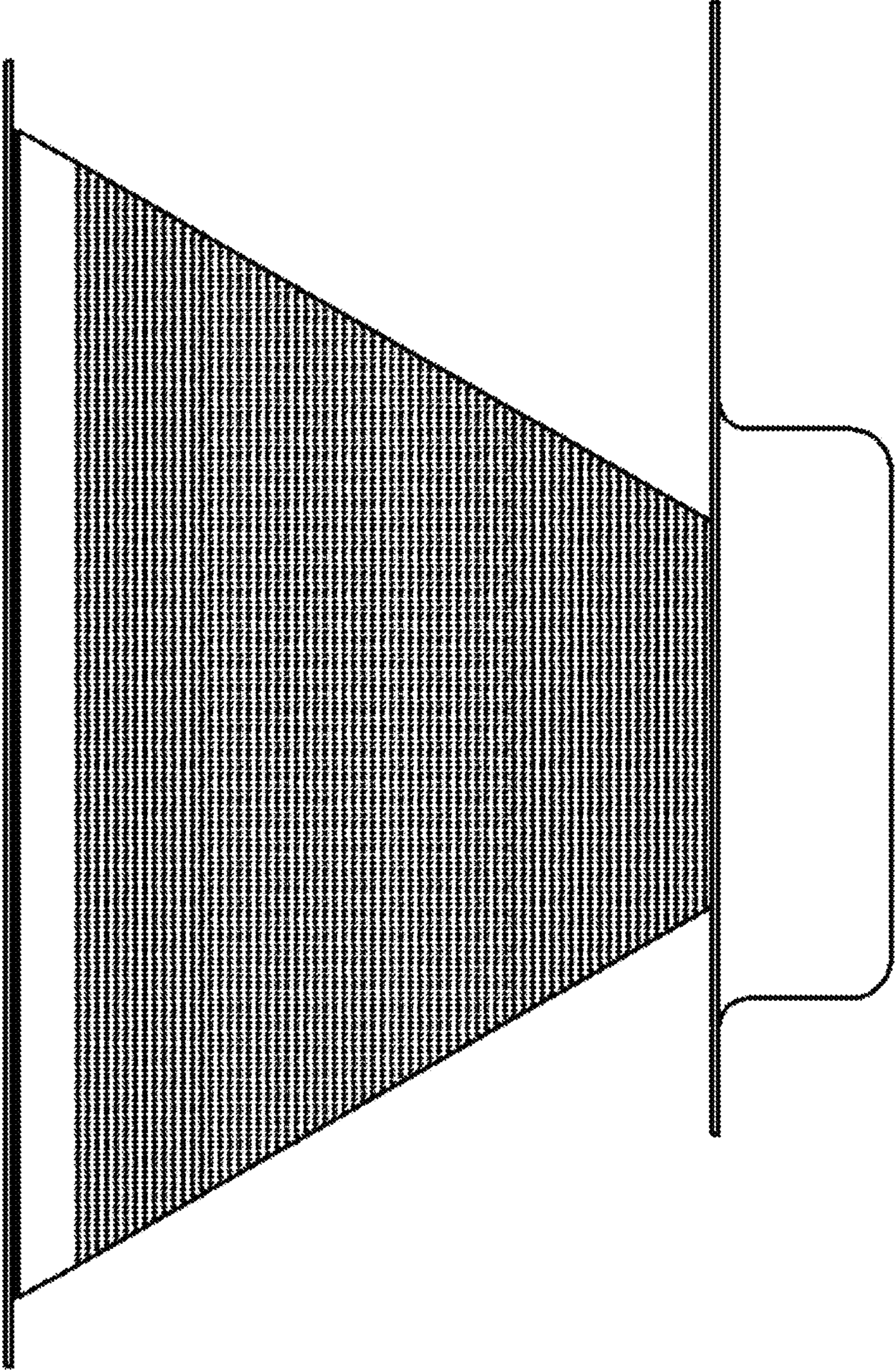


FIG. 5



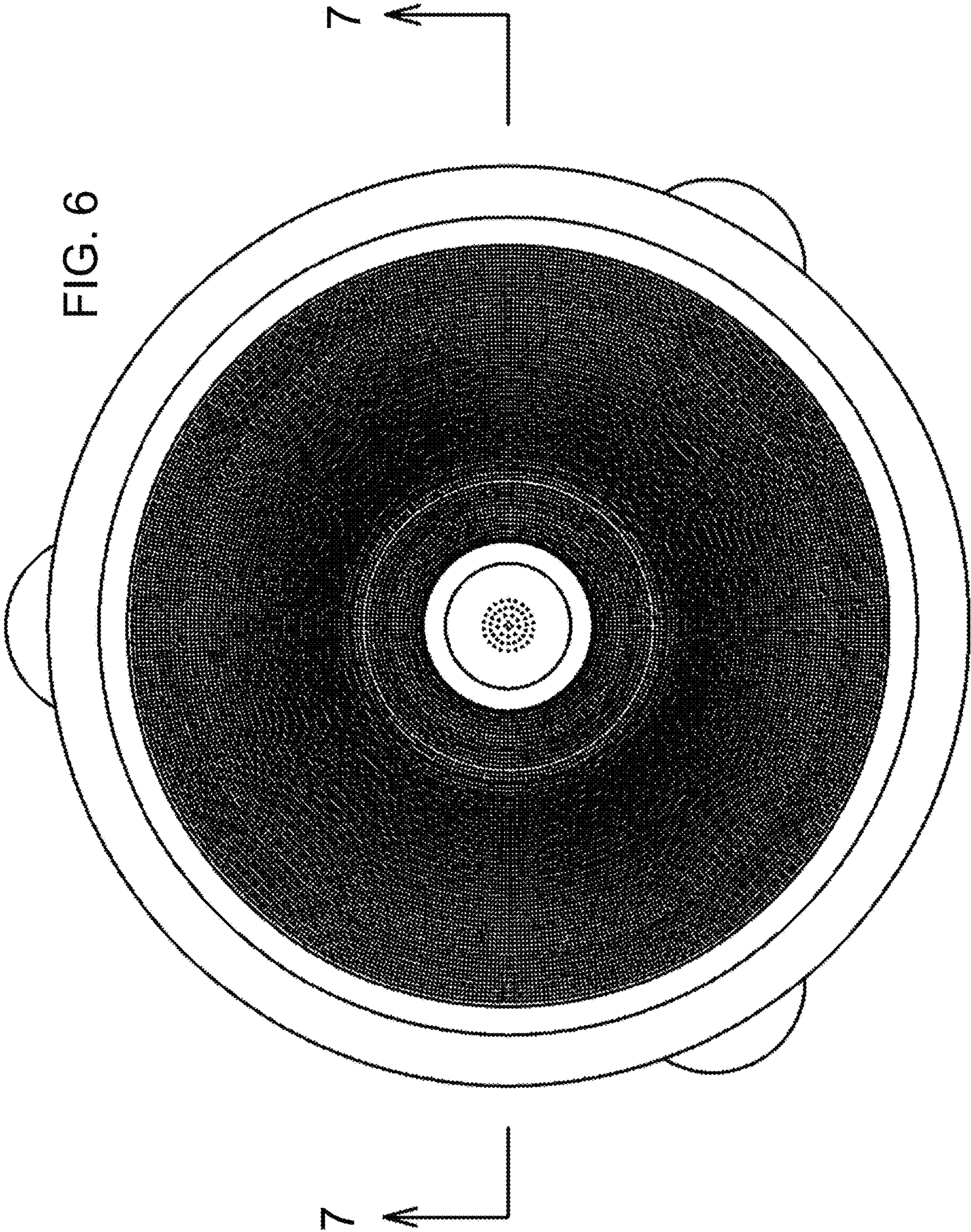


FIG. 7

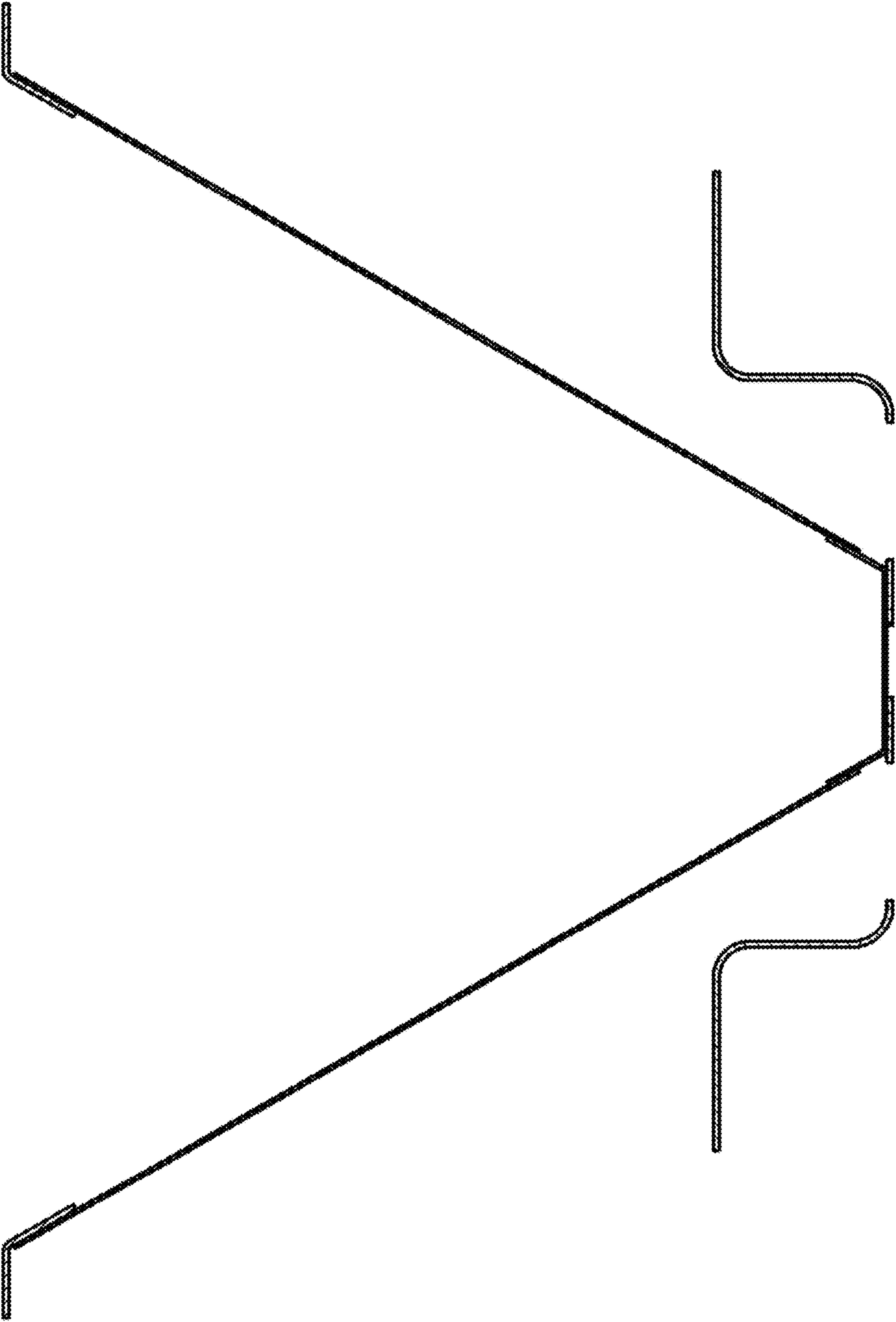
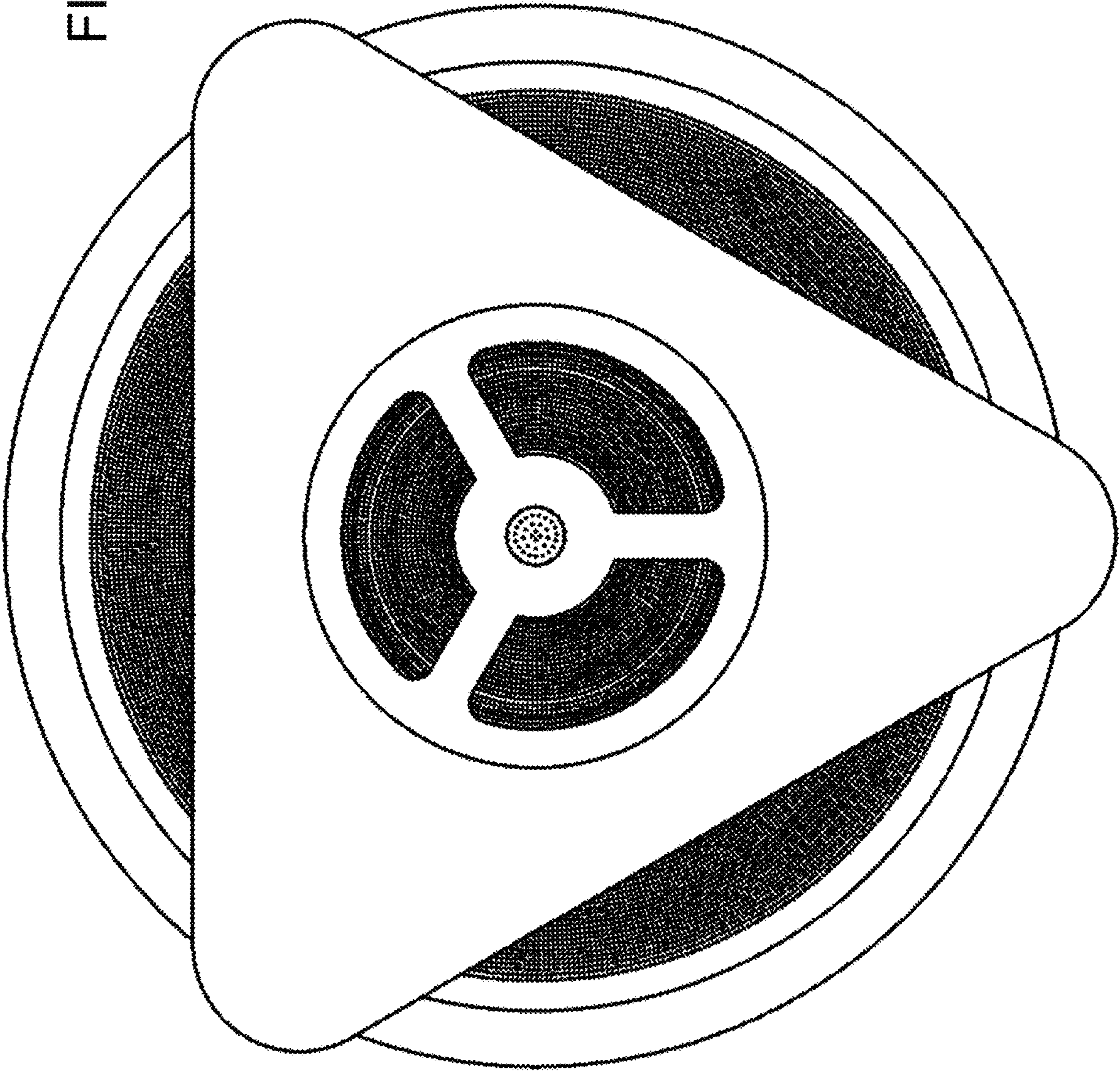


FIG. 8



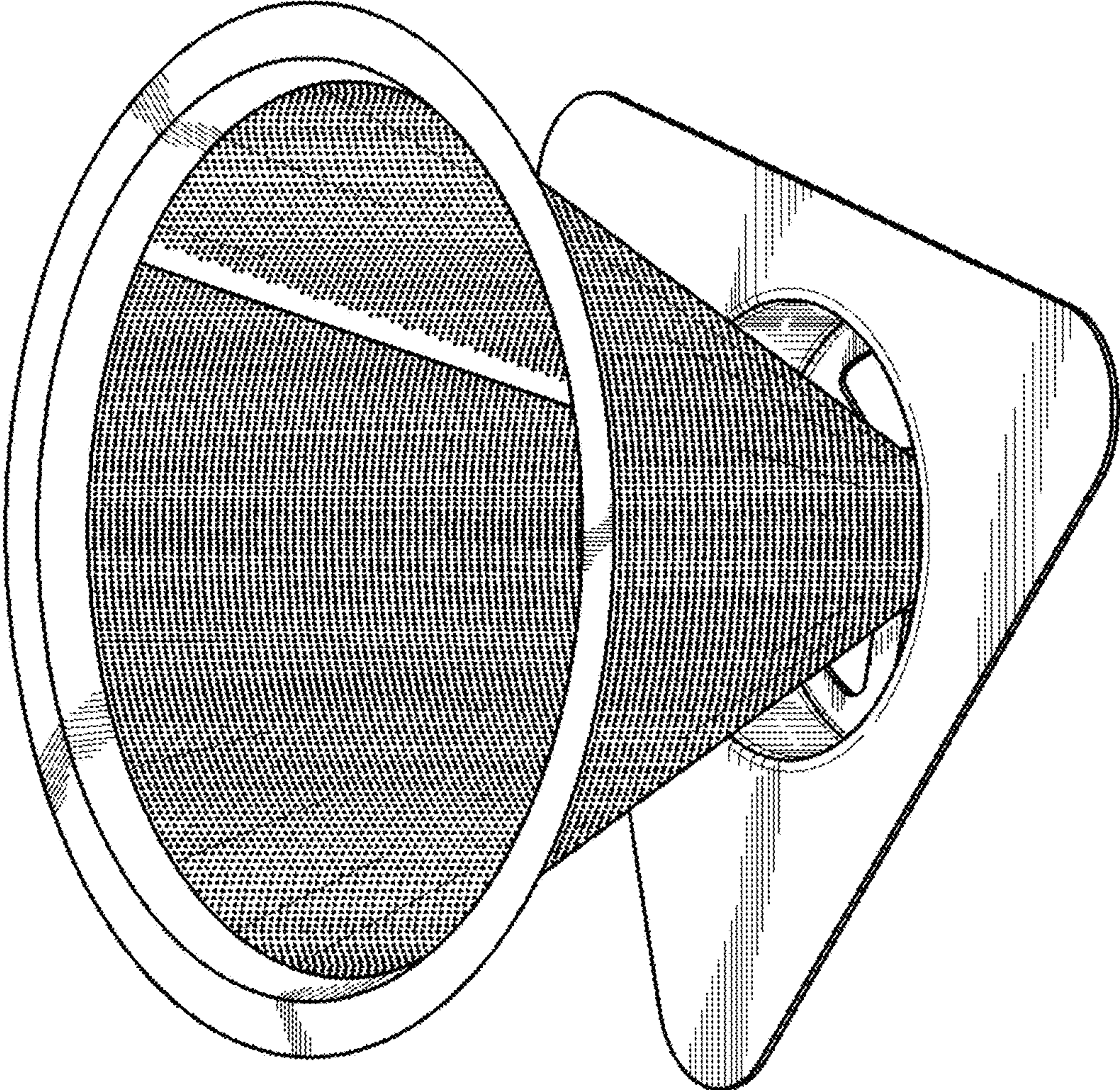


FIG. 9

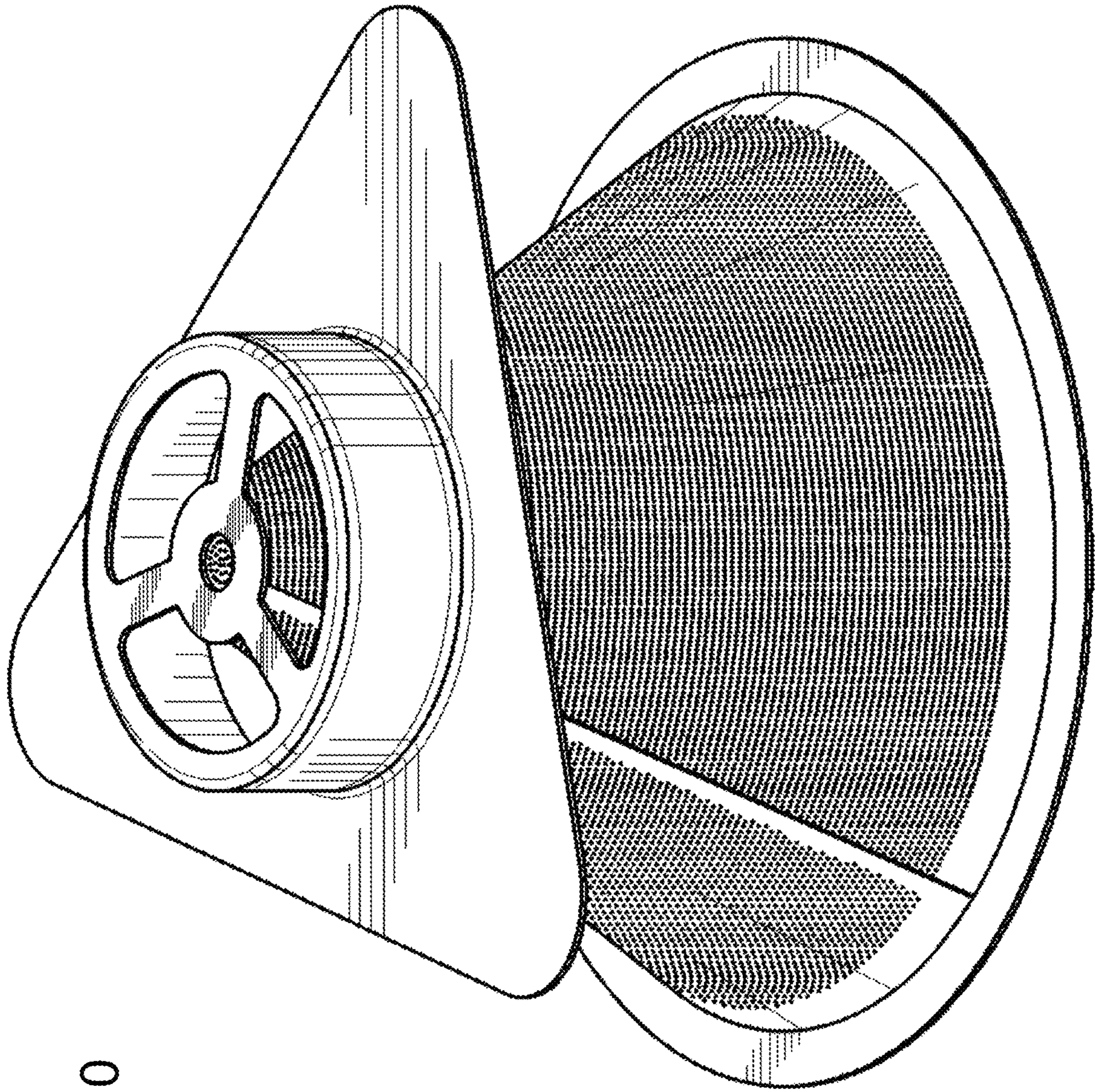


FIG. 10