



US00D809337S

(12) **United States Design Patent** (10) **Patent No.:** **US D809,337 S**  
**Chen** (45) **Date of Patent:** **\*\* Feb. 6, 2018**

(54) **COOKWARE HANDLE**

(71) Applicant: **Conair Corporation**, Stamford, CT (US)

(72) Inventor: **Jinyong Chen**, Sanming (CN)

(73) Assignee: **CONAIR CORPORATION**, Stamford, CT (US)

(\*\*) Term: **15 Years**

(21) Appl. No.: **29/577,010**

(22) Filed: **Sep. 8, 2016**

(51) **LOC (11) Cl.** ..... **07-02**

(52) **U.S. Cl.**  
USPC ..... **D7/395**

(58) **Field of Classification Search**  
USPC ..... D7/354-361, 393-395, 401.2, 664;  
D8/107, 300, 303, 307, 313, 321;  
D4/138, 129

(Continued)

(56) **References Cited**

U.S. PATENT DOCUMENTS

D407,600 S 4/1999 LoGiudice  
D439,108 S 3/2001 LoGiudice

(Continued)

*Primary Examiner* — Cynthia M Chin

(74) *Attorney, Agent, or Firm* — Lawrence Cruz, Esq.;  
Joseph W. Schmidt, P.C.

(57) **CLAIM**

The ornamental design for a cookware handle, as shown and described.

**DESCRIPTION**

FIG. 1 is a perspective view of the cookware handle in accordance with the principles of the present disclosure

FIG. 2 is a first side elevation view of the cookware handle; FIG. 3 is a second side elevation view of the cookware handle;

FIG. 4 is a top plan view of the cookware handle;

FIG. 5 is a bottom plan view of the cookware handle;

FIG. 6 is a rear axial view of the cookware handle;

FIG. 7 is a front axial view of the cookware handle;

FIG. 8 is a perspective view of another embodiment of the cookware handle;

FIG. 9 is a first side elevation view of the cookware handle of FIG. 8;

FIG. 10 is a second side elevation view of the cookware handle of FIG. 8;

FIG. 11 is a top plan view of the cookware handle of FIG. 8;

FIG. 12 is a bottom plan view of the cookware handle of FIG. 8;

FIG. 13 is a rear axial view of the cookware handle of FIG. 8;

FIG. 14 is a front axial view of the cookware handle of FIG. 8;

FIG. 15 is a perspective view of another embodiment of the cookware handle;

FIG. 16 is a first side elevation view of the cookware handle of FIG. 15;

FIG. 17 is a second side elevation view of the cookware handle of FIG. 15;

FIG. 18 is a top plan view of the cookware handle of FIG. 15;

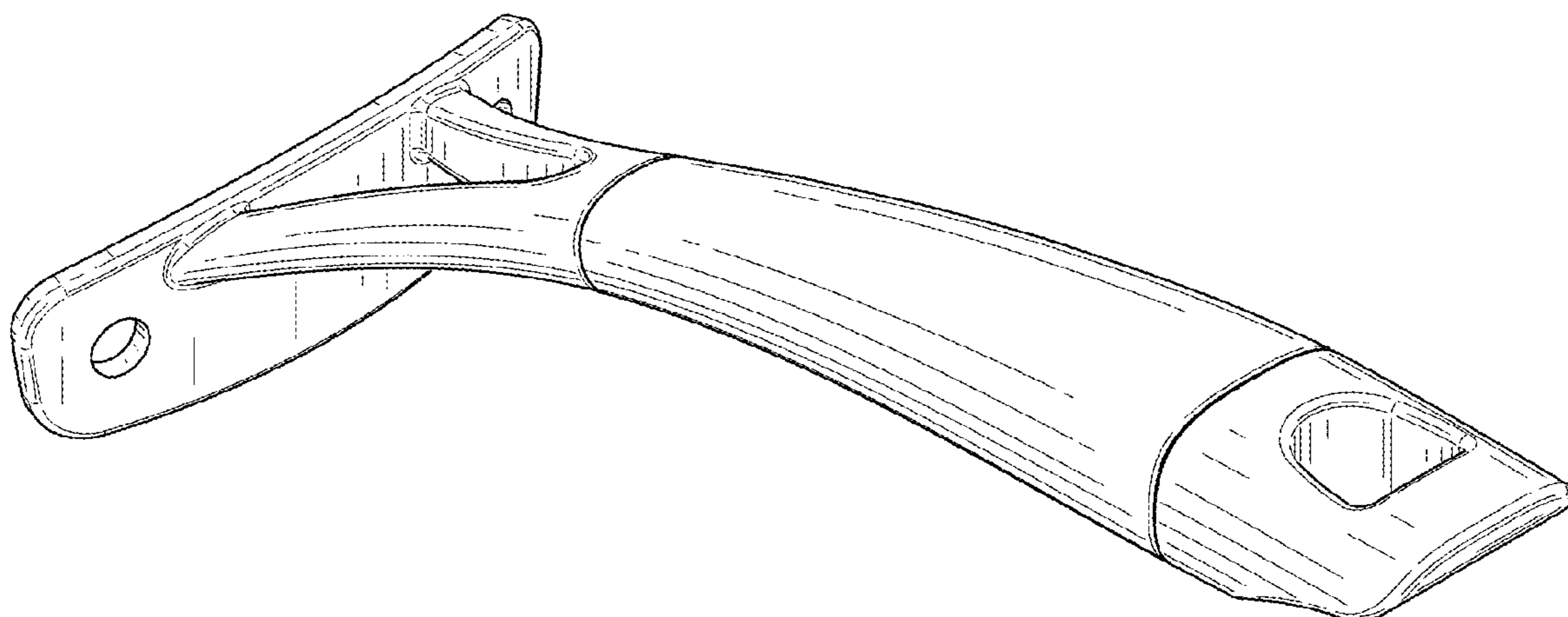
FIG. 19 is a bottom plan view of the cookware handle of FIG. 15;

FIG. 20 is a rear axial view of the cookware handle of FIG. 15; and,

FIG. 21 is a front axial view of the cookware handle of FIG. 15.

Any portions of the figures shown in broken lines are for illustrative purposes only and form no part of the claimed design.

**1 Claim, 18 Drawing Sheets**



(58) **Field of Classification Search**

CPC ..... A47J 45/06; A47J 45/061; A47J 45/62;  
 A47J 45/08; A47J 45/085; A47J 45/071;  
 A47J 45/072; B65D 25/2802; B65D  
 25/2882; B65D 25/2885; B65D 25/2888;  
 B65D 25/2894; Y10S 220/912

See application file for complete search history.

D618,052 S *	6/2010	Rae	.....	D7/395
D630,057 S	1/2011	Rae		
D658,004 S *	4/2012	Rae	.....	D7/395
D667,689 S *	9/2012	Rae	.....	D7/395
D667,690 S	9/2012	Rae		
D672,194 S	12/2012	Rae		
D682,022 S	5/2013	Rae		
D704,998 S *	5/2014	Rae	.....	D7/395
D705,000 S *	5/2014	Rae	.....	D7/395
D705,003 S	5/2014	Rae et al.		
D711,685 S *	8/2014	Delassus	.....	D7/395
D713,677 S	9/2014	Rae		
D713,679 S	9/2014	Rae		
D713,680 S	9/2014	Rae		
D713,681 S	9/2014	Rae		
D714,585 S *	10/2014	Genatossio	.....	D7/395
D730,113 S	5/2015	Barberi		
D730,114 S	5/2015	Barberi		
D734,091 S *	7/2015	Moon	.....	D7/354
D740,604 S *	10/2015	Barberi	.....	D7/395
D758,794 S	6/2016	Barberi		

(56) **References Cited**

U.S. PATENT DOCUMENTS

D555,425 S *	11/2007	Rae	.....	D7/395
D555,971 S	11/2007	Rae		
D555,972 S	11/2007	Rae		
D560,428 S *	1/2008	Prakasa	.....	D7/395
D560,429 S	1/2008	Prakasa		
D575,982 S *	9/2008	Rae	.....	D7/395
D593,794 S	6/2009	Rae		
D596,897 S	7/2009	Tetreault et al.		
D617,142 S	6/2010	Pantaleo		

\* cited by examiner

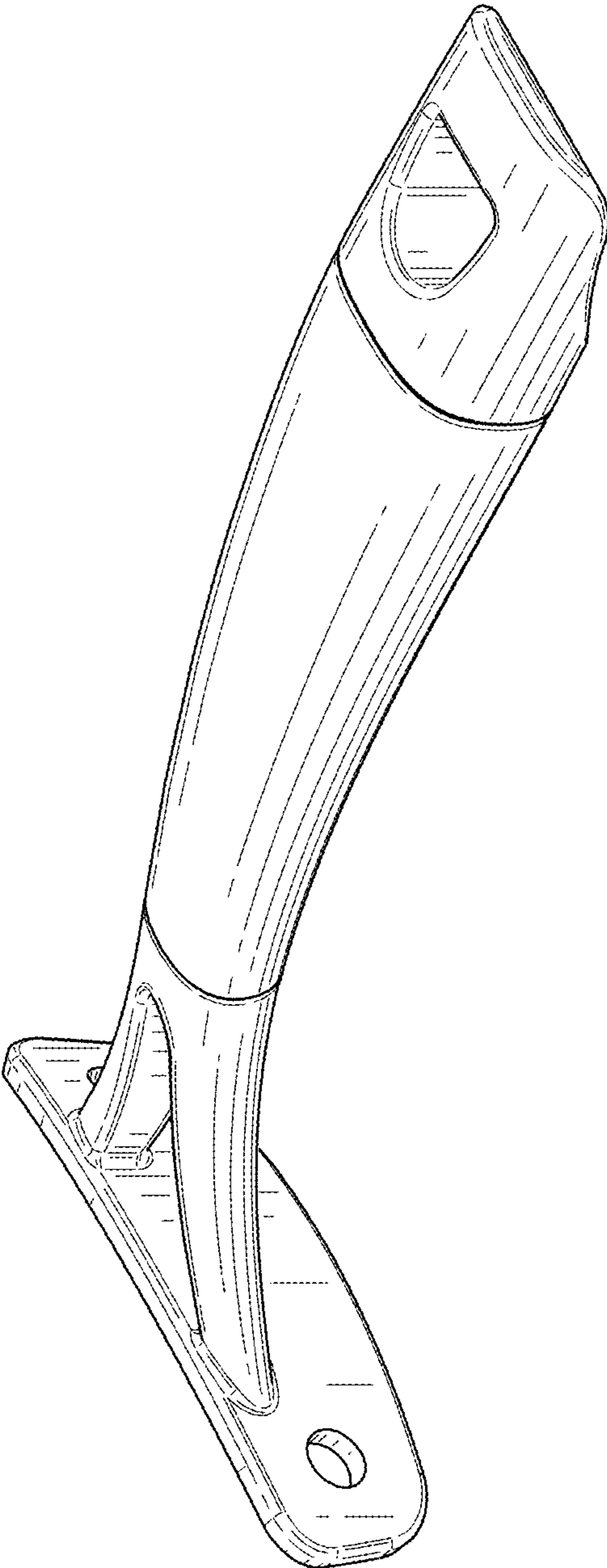
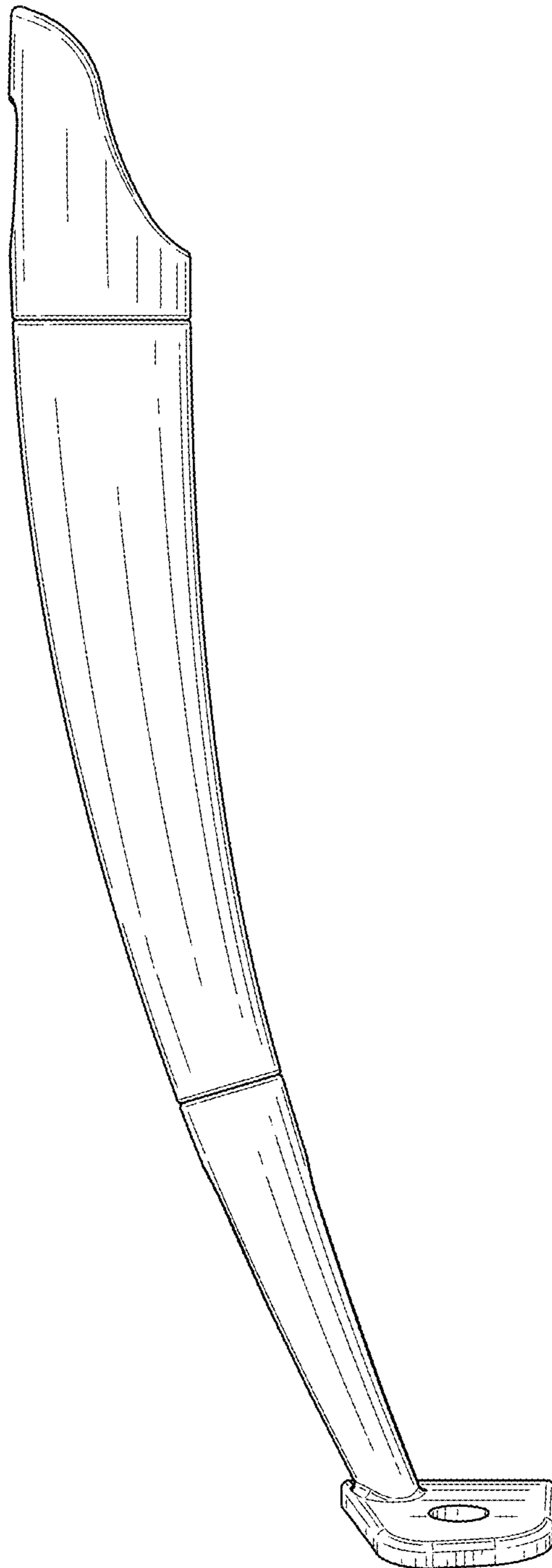
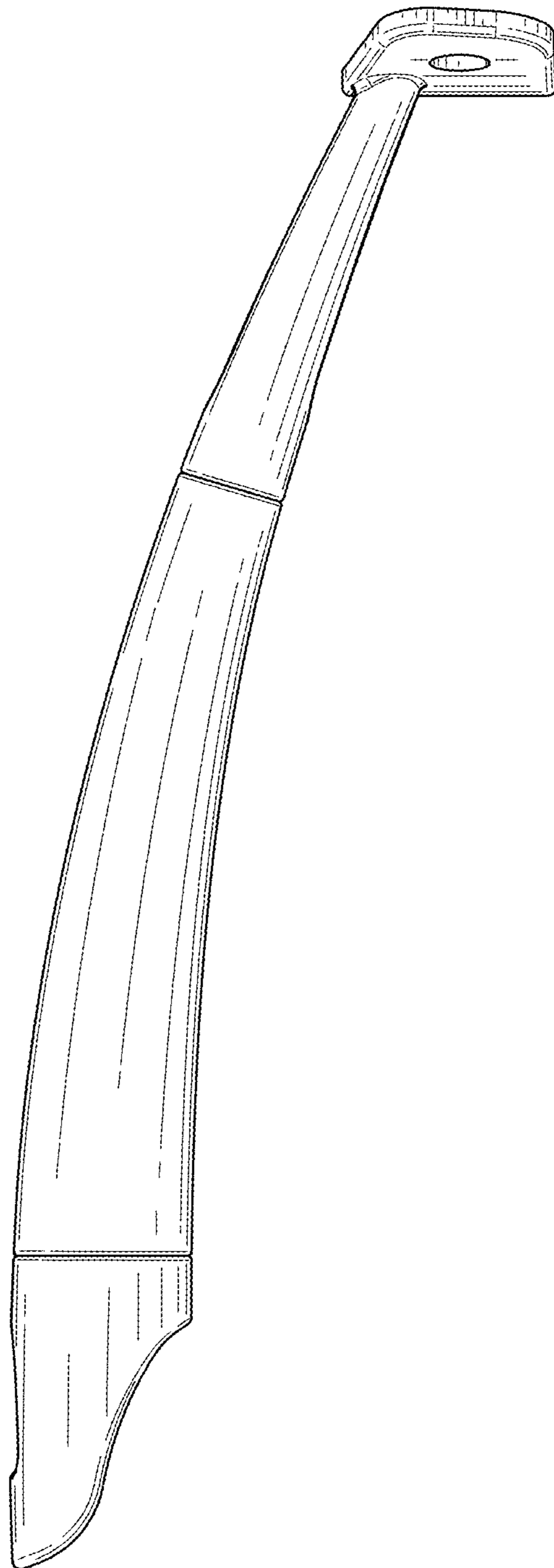


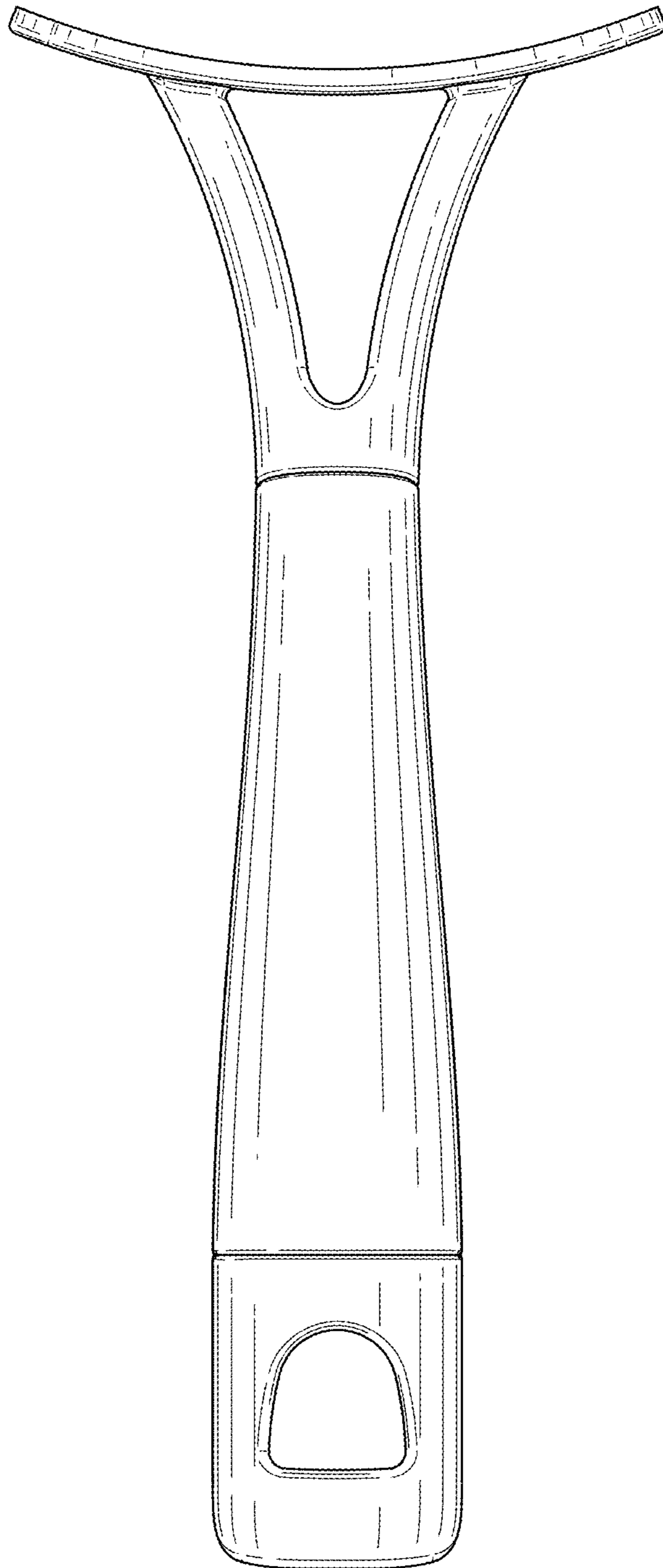
FIG. 1



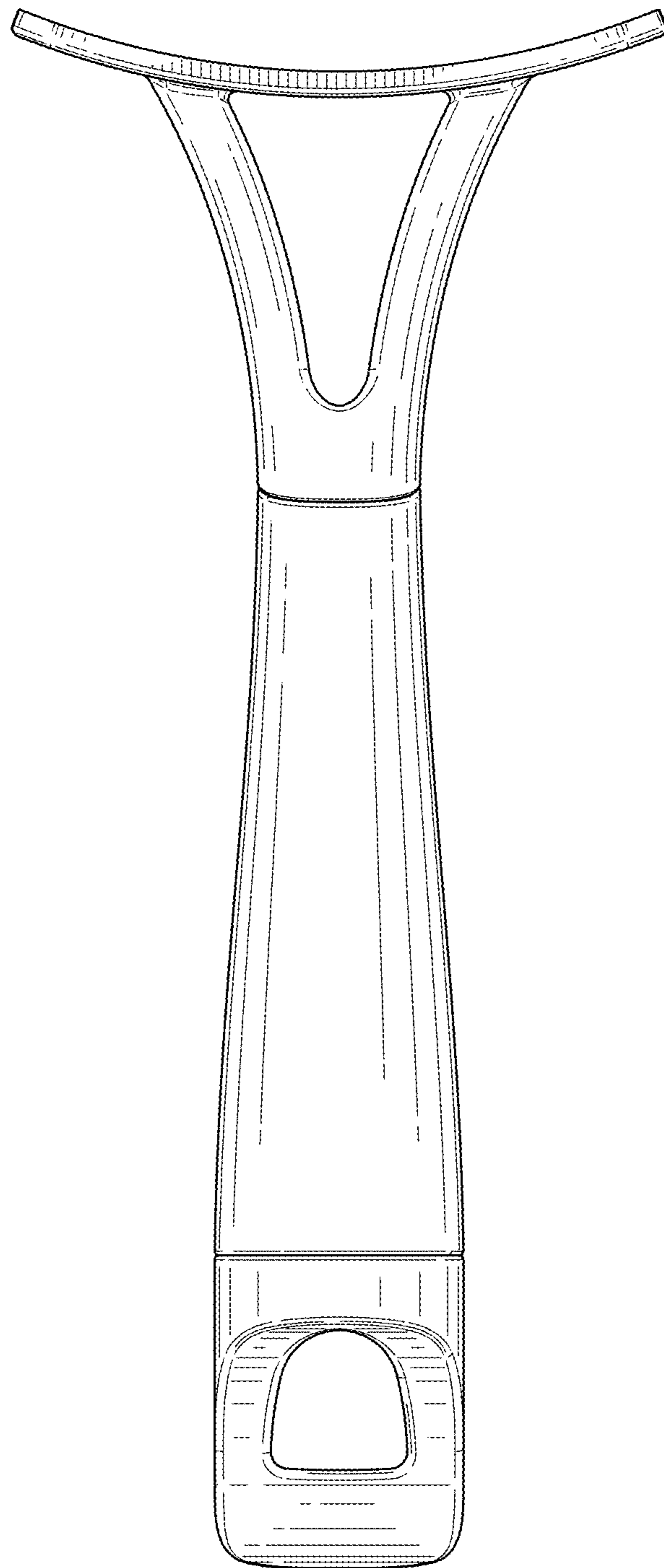
**FIG. 2**



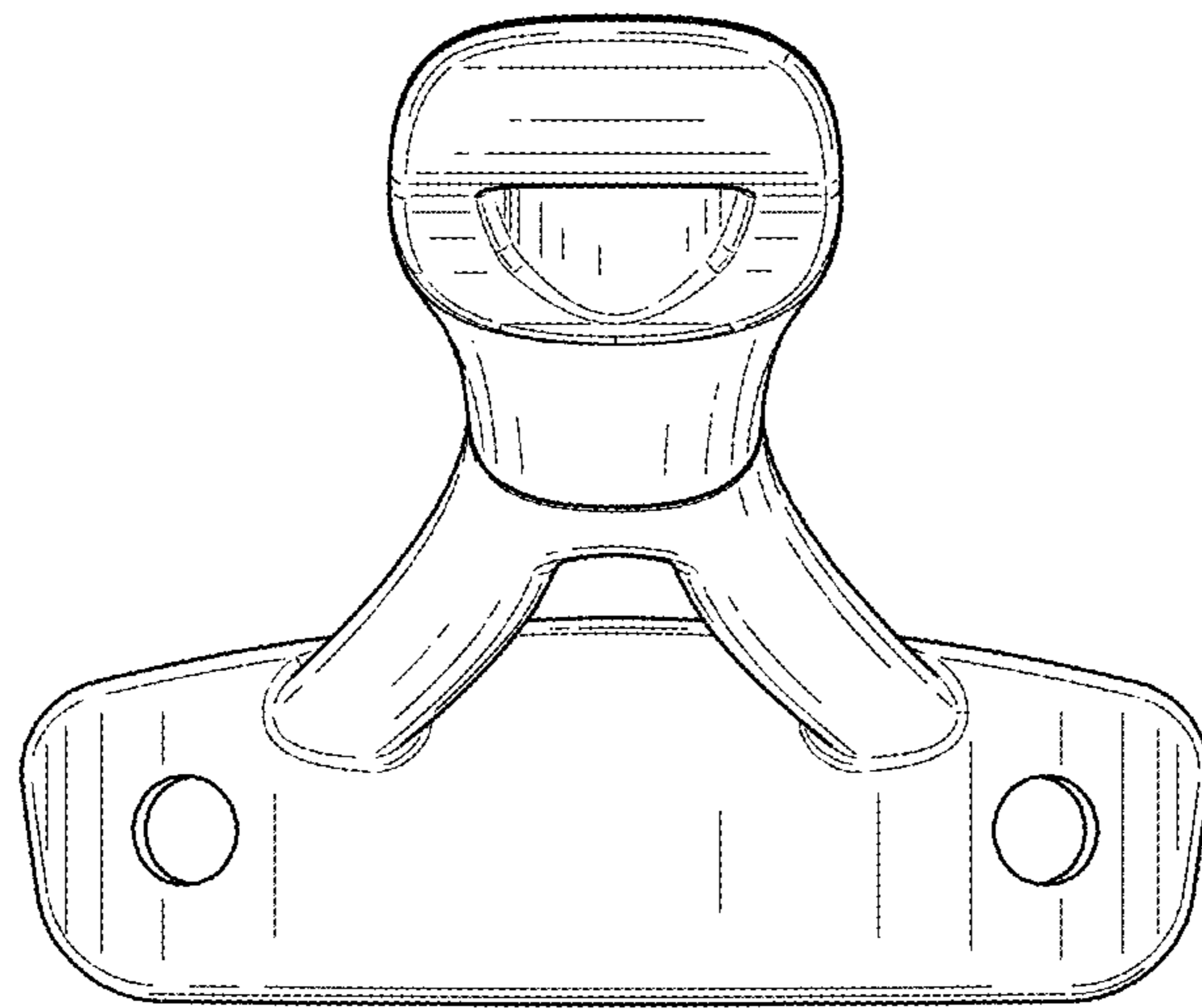
**FIG. 3**



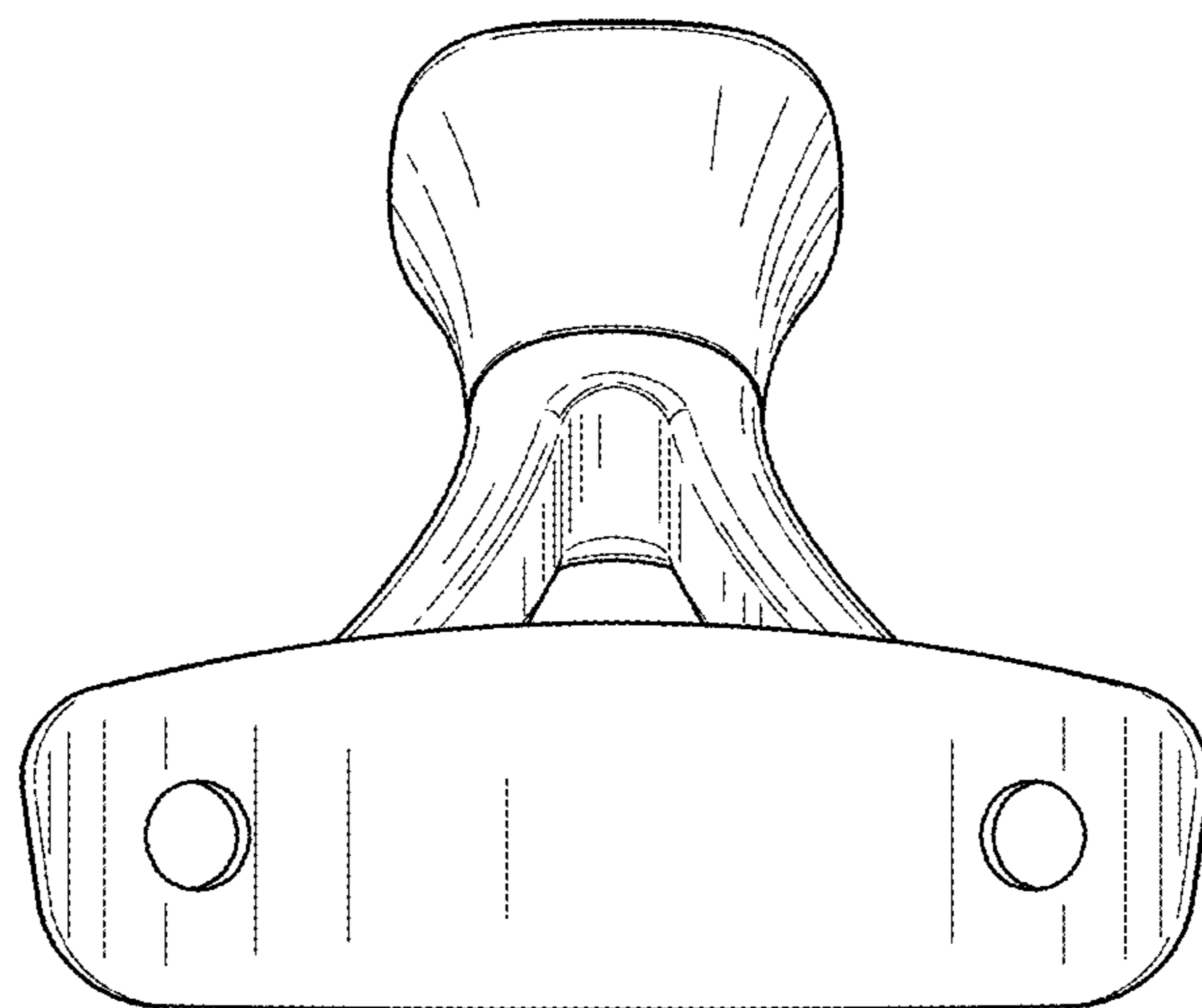
**FIG. 4**



**FIG. 5**



**FIG. 6**



**FIG. 7**



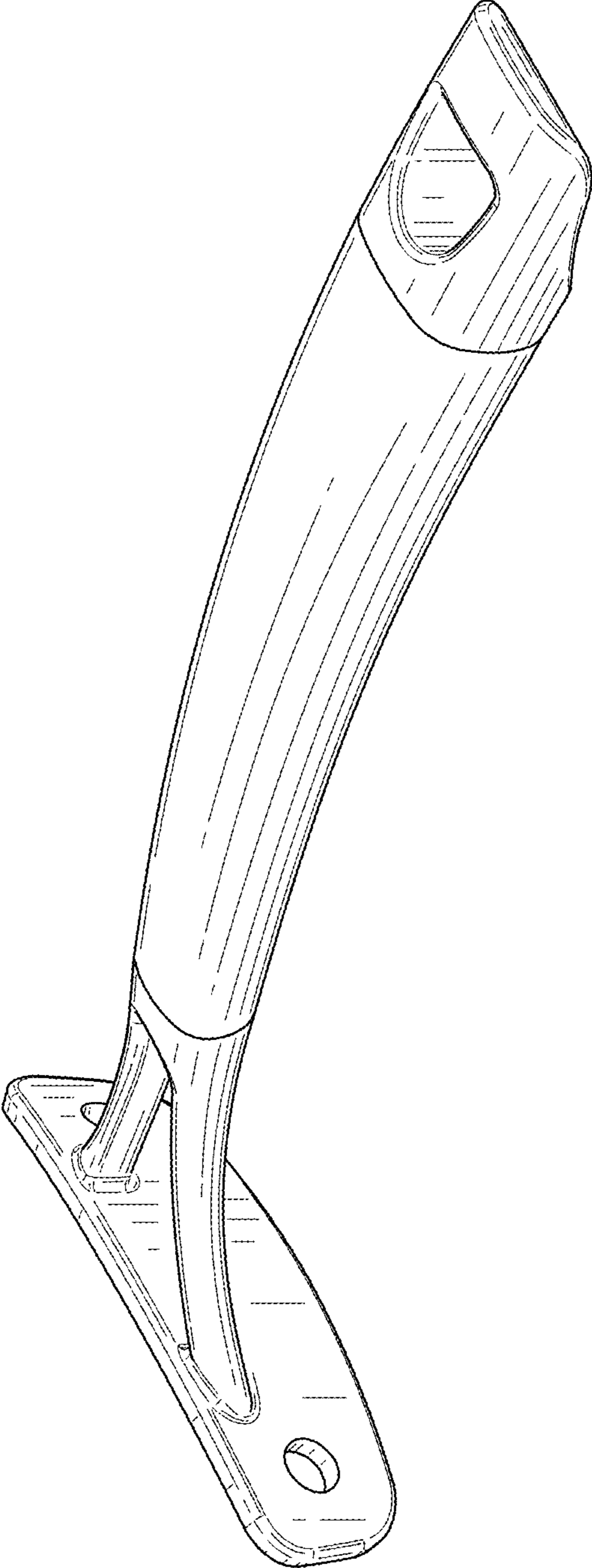
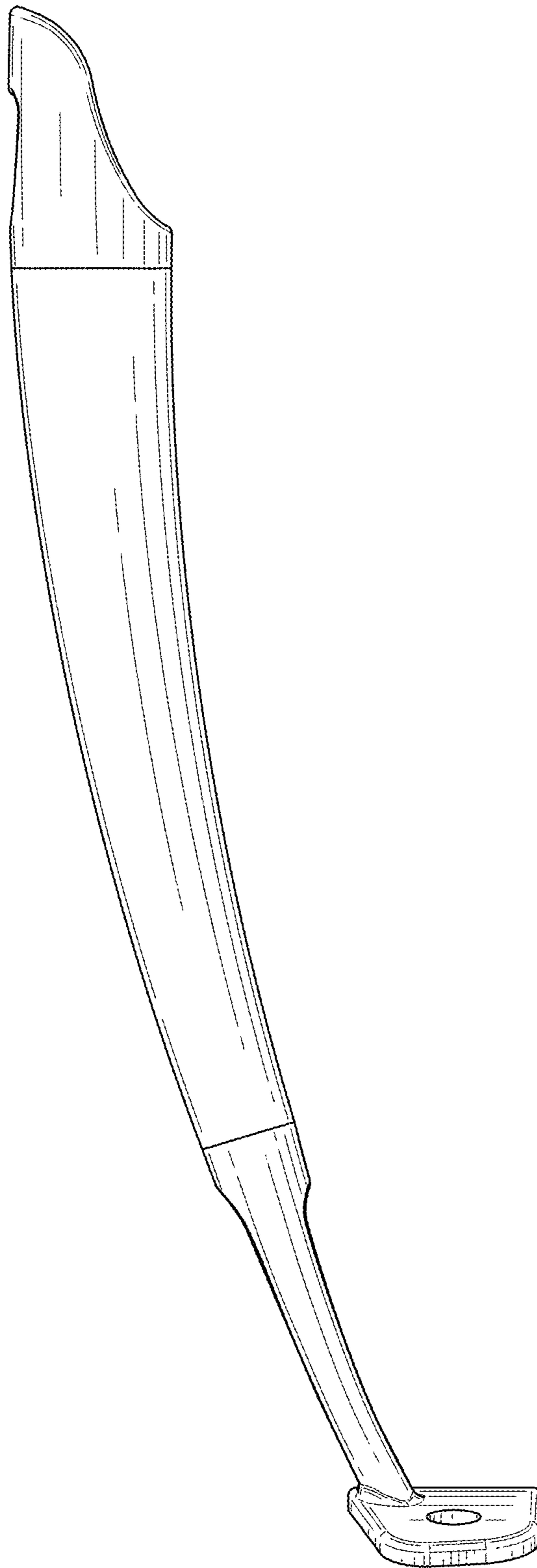
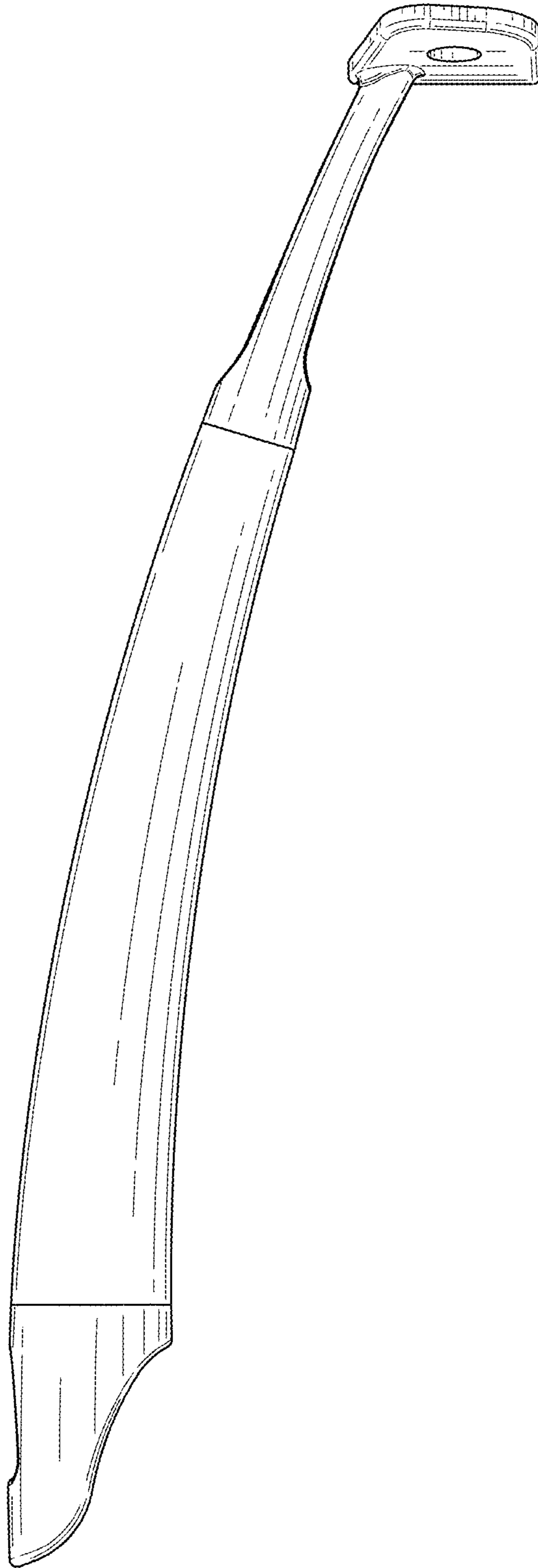


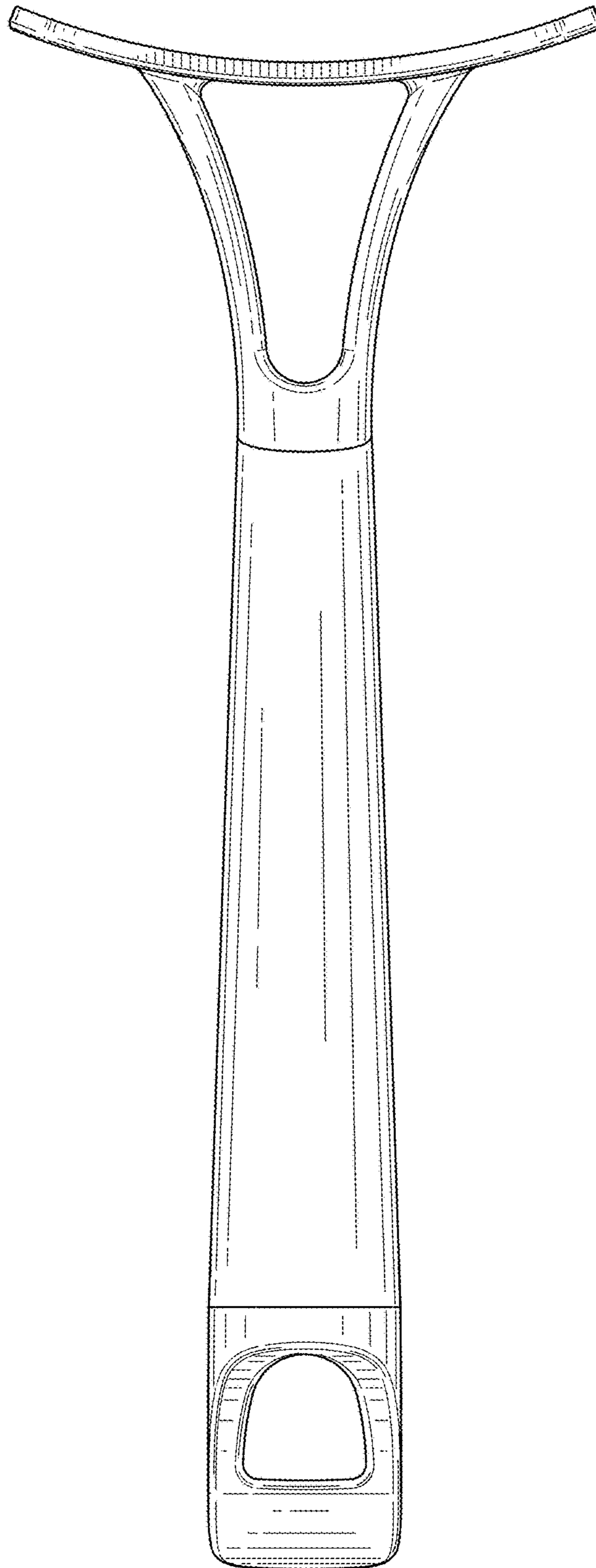
FIG. 8



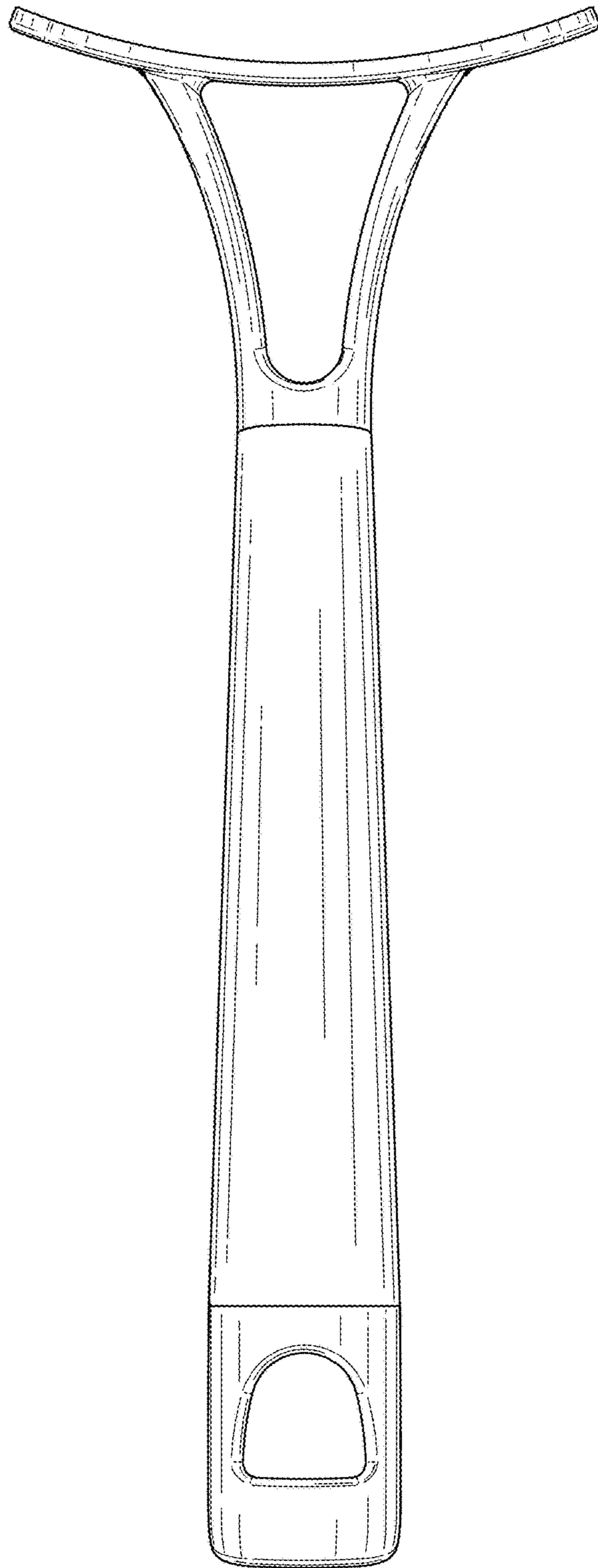
**FIG. 9**



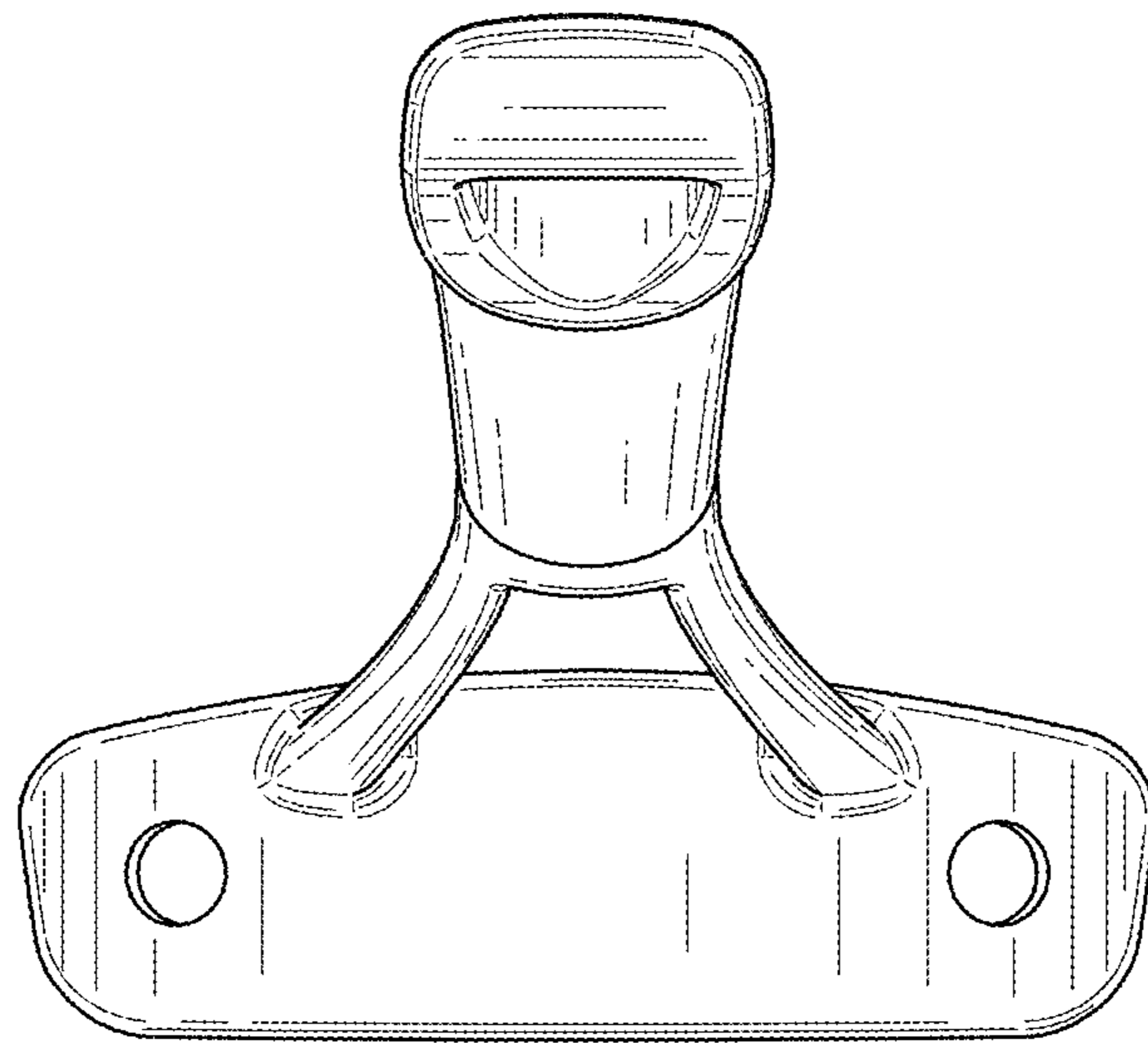
**FIG. 10**



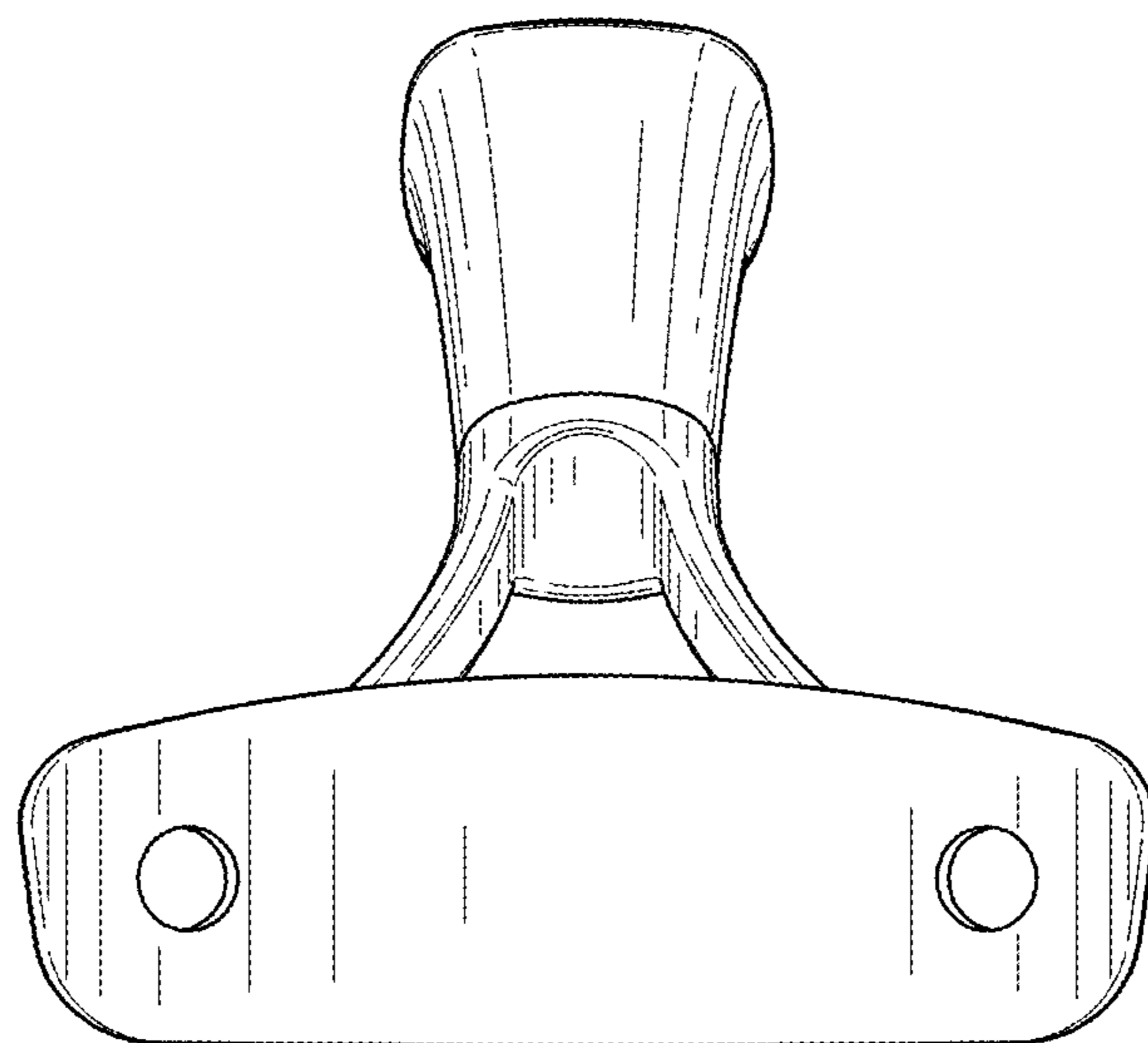
**FIG. 11**



**FIG. 12**



**FIG. 13**



**FIG. 14**

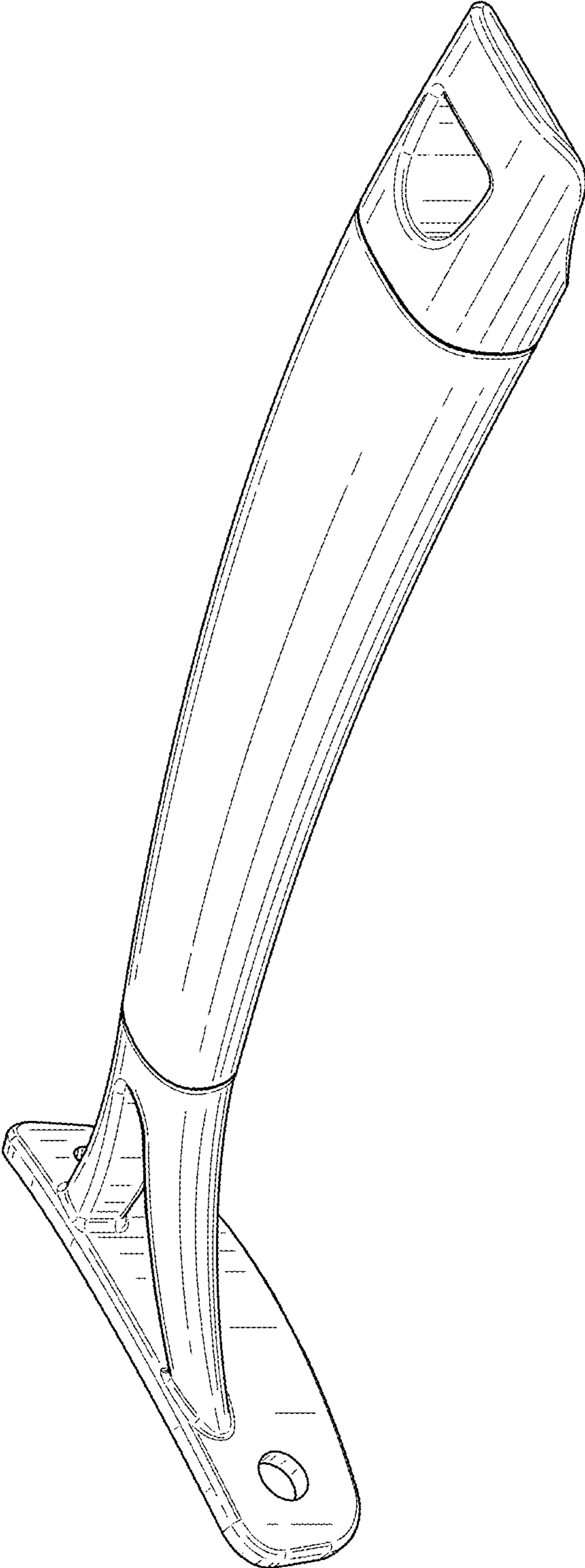


FIG. 15

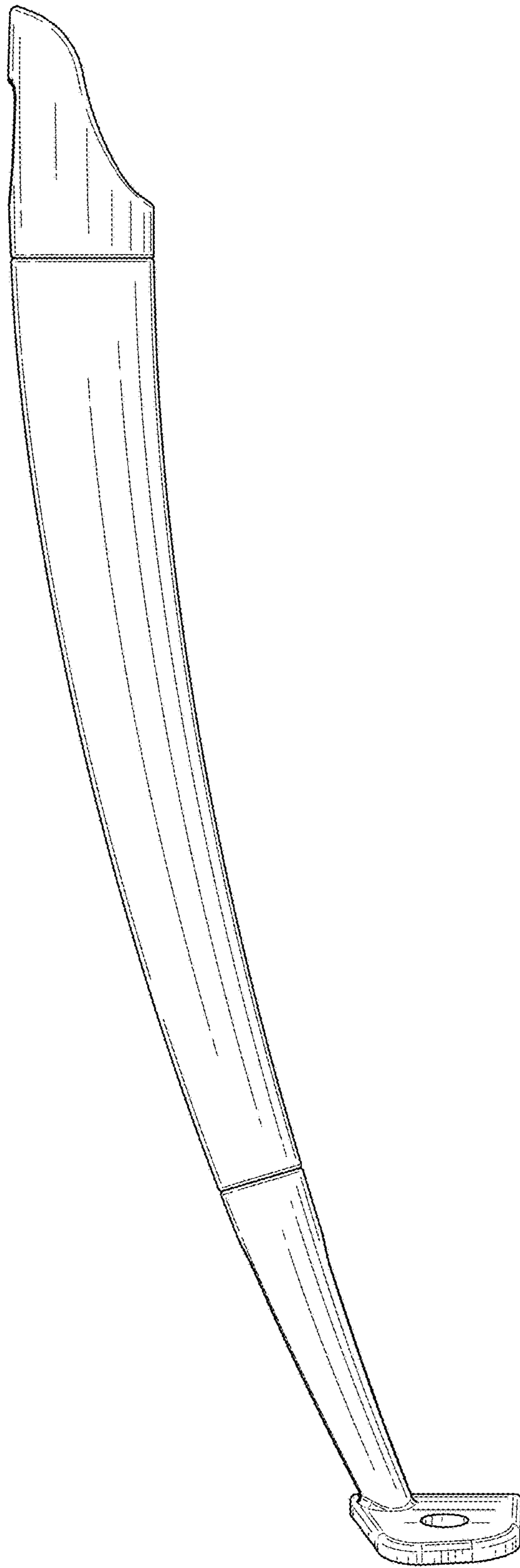


FIG. 16



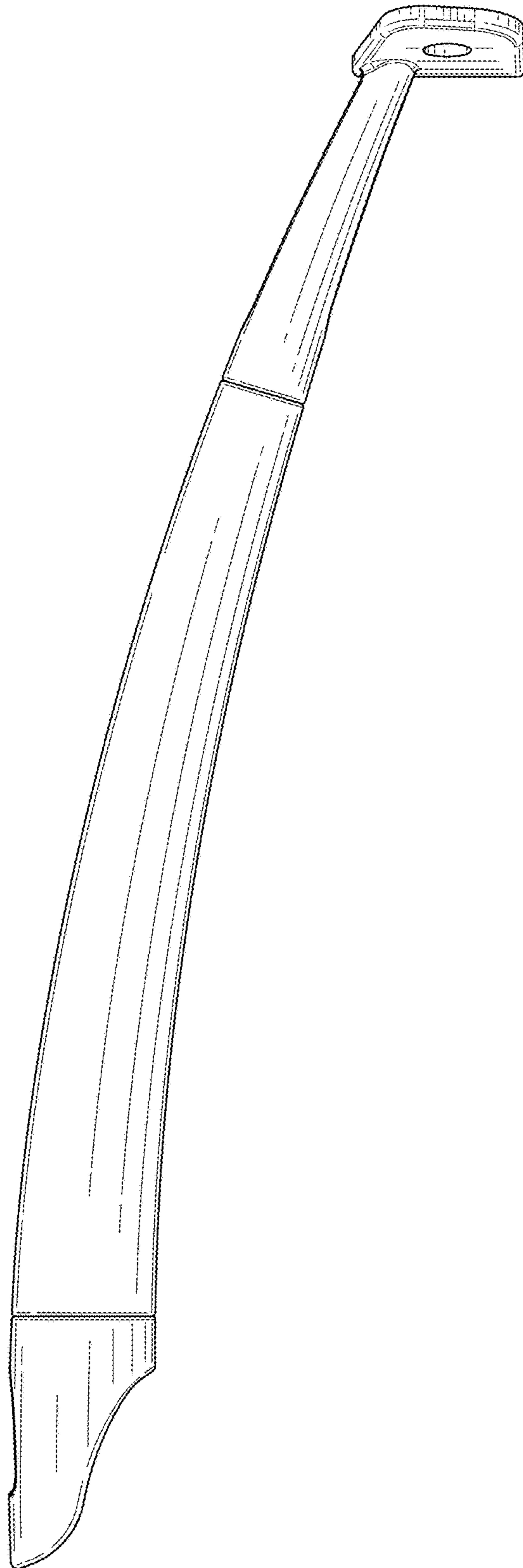
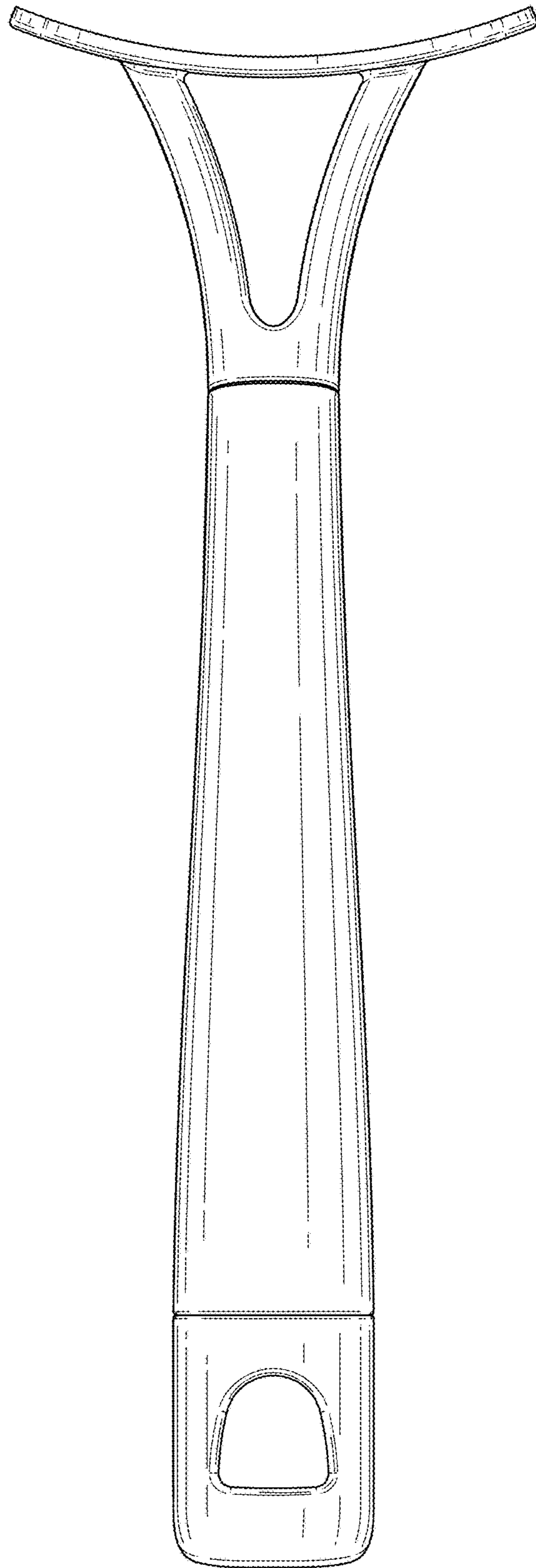


FIG. 17



**FIG. 18**

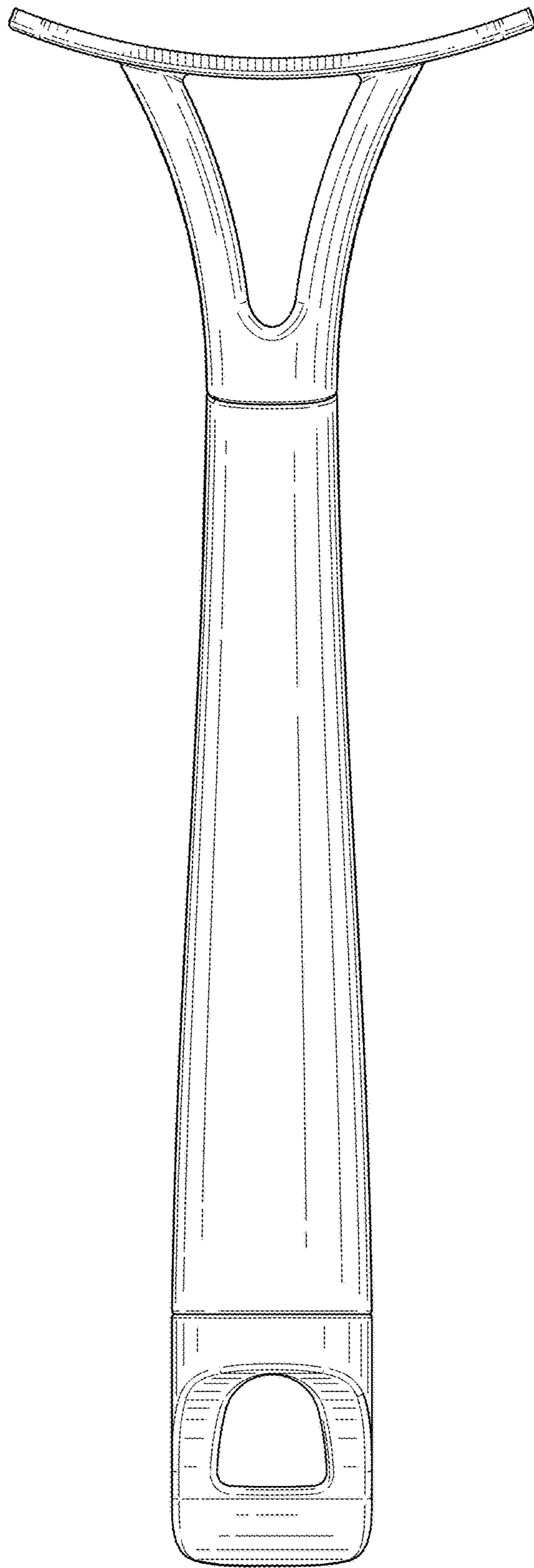
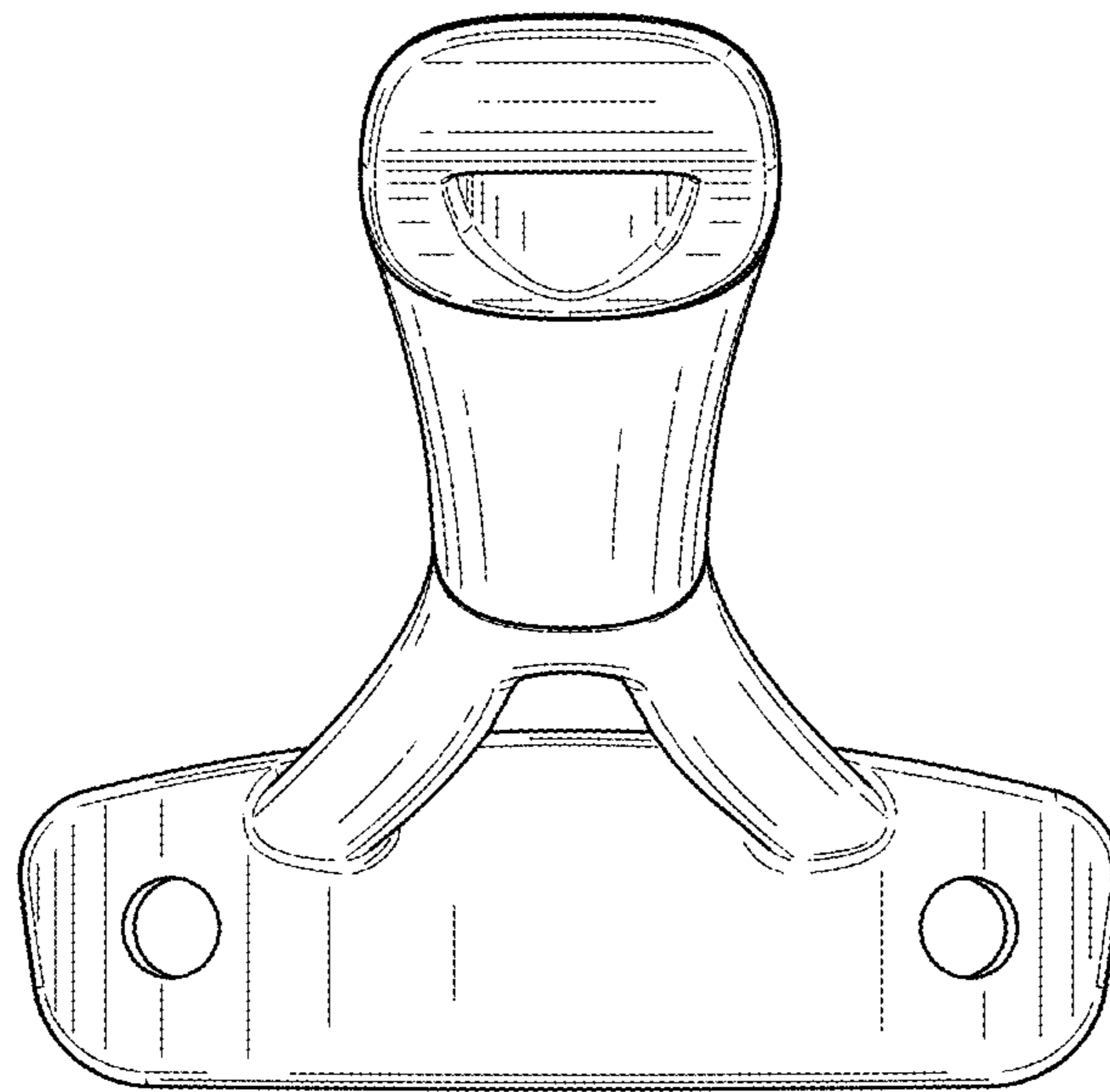
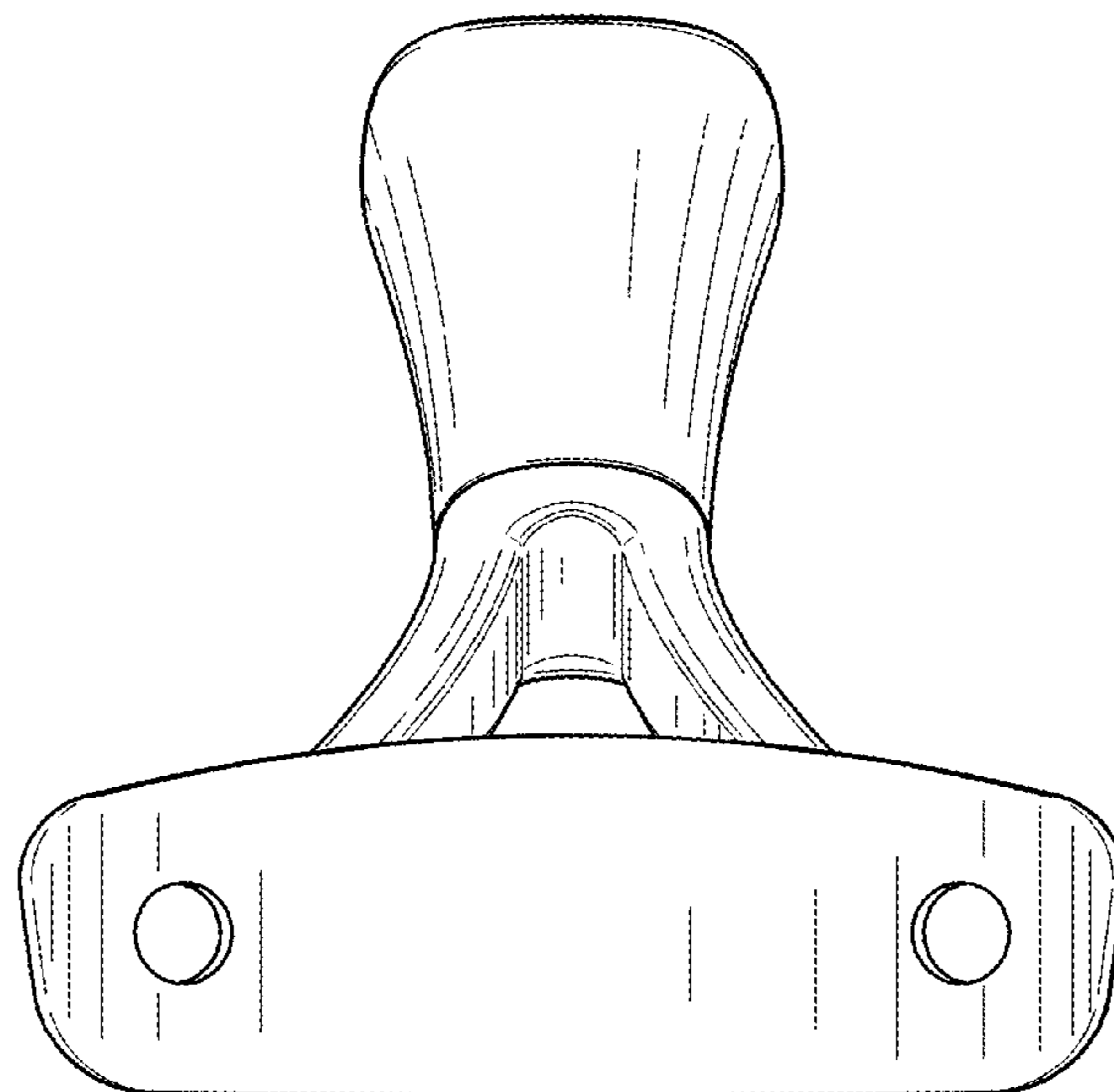


FIG. 19



**FIG. 20**



**FIG. 21**