



US00D809335S

(12) **United States Design Patent**  
**Bouveret**

(10) **Patent No.:** **US D809,335 S**  
(45) **Date of Patent:** **\*\* Feb. 6, 2018**

- (54) **FOOD CONTAINER LID**
- (71) Applicant: **NORTH AMERICA I.M.L. CONTAINERS**, St-Placide (CA)
- (72) Inventor: **Nicolas Bouveret**, St-Placide (CA)
- (73) Assignee: **NORTH AMERICA I.M.L. CONTAINERS INC.** (CA)
- (\*\*) Term: **15 Years**
- (21) Appl. No.: **29/572,707**
- (22) Filed: **Jul. 29, 2016**
- (51) **LOC (11) Cl.** ..... **07-02**
- (52) **U.S. Cl.**  
USPC ..... **D7/392.1; D9/435**
- (58) **Field of Classification Search**  
USPC ..... D3/202, 242, 272, 318; D7/601, 602, D7/609, 629, 705, 708.1, 392.1; D9/414, D9/425, 428, 432, 434, 435, 456, 499, D9/504, 744, 745, 751  
CPC ..... B65D 81/3453; B65D 21/02  
See application file for complete search history.

- D479,127 S \* 9/2003 Jowett ..... D9/425
- D502,394 S \* 3/2005 Jackson ..... D7/602
- D564,287 S \* 3/2008 Bouveret ..... D7/392.1
- D569,243 S \* 5/2008 Kidd ..... D9/425
- D571,200 S \* 6/2008 Bouveret ..... D9/435
- D585,699 S \* 2/2009 Furlong ..... D7/392.1
- D596,454 S \* 7/2009 de Groote ..... D7/392.1

(Continued)

**OTHER PUBLICATIONS**

Amazon. Meal Prep Haven Stackable Food Containers with Lids, Set of 7. Aug. 11, 2015 [earliest online date], [site visited Sep. 7, 2017]. Available from Internet, <URL:https://www.amazon.com/Meal-Prep-Haven-Stackable-Containers/dp/B0111AMA46>.\*

(Continued)

*Primary Examiner* — Robert M. Spear  
*Assistant Examiner* — Darcey E Heflin  
(74) *Attorney, Agent, or Firm* — Norton Rose Fulbright Canada LLP

(57) **CLAIM**

I claim the ornamental design for a food container lid, as shown and described.

**DESCRIPTION**

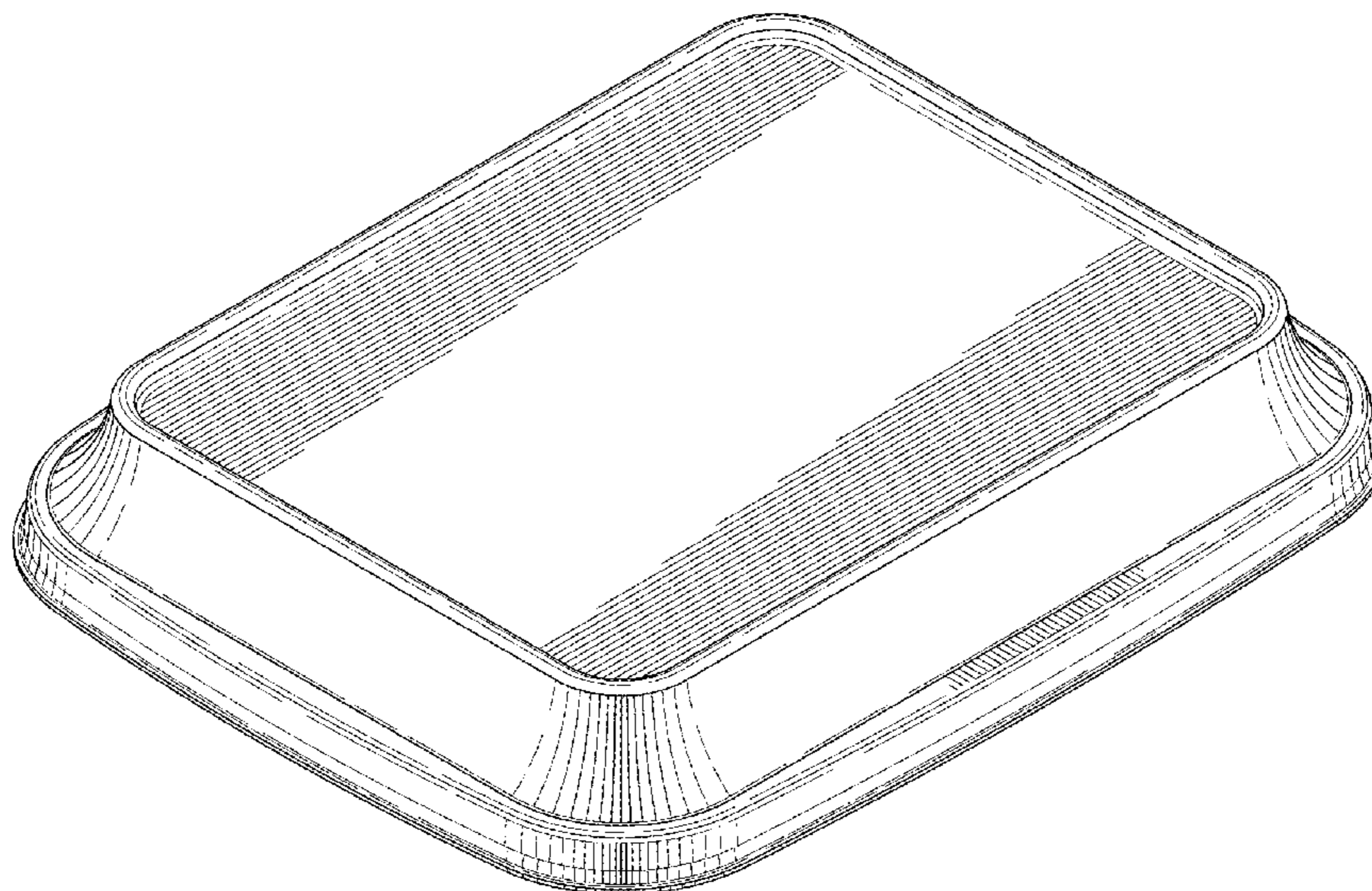
FIG. 1 is a perspective view of a food container lid in accordance with the present design; FIG. 2 is a front face view of the food container lid of FIG. 1, a rear face view being a mirror image thereof; FIG. 3 is a right-side face view of the food container lid of FIG. 1, a left-side face view being a mirror image thereof; FIG. 4 is a top view of the food container lid of FIG. 1; and, FIG. 5 is a bottom view of the food container lid of FIG. 1. The broken line portions are included to show environmental subject matter only and form no part of the claimed design.

**1 Claim, 4 Drawing Sheets**

(56) **References Cited**

**U.S. PATENT DOCUMENTS**

- D240,353 S \* 6/1976 Edwards ..... D9/761
- D241,820 S \* 10/1976 Jewell ..... D9/423
- D254,776 S \* 4/1980 Edwards ..... D9/426
- D256,557 S \* 8/1980 Ikushima ..... D9/425
- D270,708 S \* 9/1983 Dart ..... D9/756
- D277,167 S \* 1/1985 Dart ..... D9/414
- D289,719 S \* 5/1987 Daenen ..... D7/392.1
- 4,951,866 A \* 8/1990 Rusnak ..... B65D 25/08  
206/561
- D420,548 S \* 2/2000 Loew ..... D7/392.1
- D465,382 S \* 11/2002 Wolf ..... D7/392.1
- D473,138 S \* 4/2003 Jowett ..... D9/425
- D473,139 S \* 4/2003 Jowett ..... D9/425



(56)

**References Cited**

U.S. PATENT DOCUMENTS

D668,536 S \* 10/2012 Sanfilippo ..... D9/423  
D698,199 S \* 1/2014 Yessin ..... D7/392.1  
D730,112 S \* 5/2015 Yessin ..... D7/392.1

OTHER PUBLICATIONS

Tech II. Food Packaging. 2016 [earliest online date], [site visited Sep. 7, 2017]. Available from Internet, <URL:https://www.techii.com/>.\*

Webstaurant Store. White Foam Hinged Lid Container. Jan. 31, 2011 [earliest online date], [site visited Sep. 7, 2017]. Available from Internet, <URL:https://www.webstaurantstore.com/dart-205ht1-9-x-6-x-3-white-foam-hinged-lid-container-pack/999205HT1.html.\*

\* cited by examiner

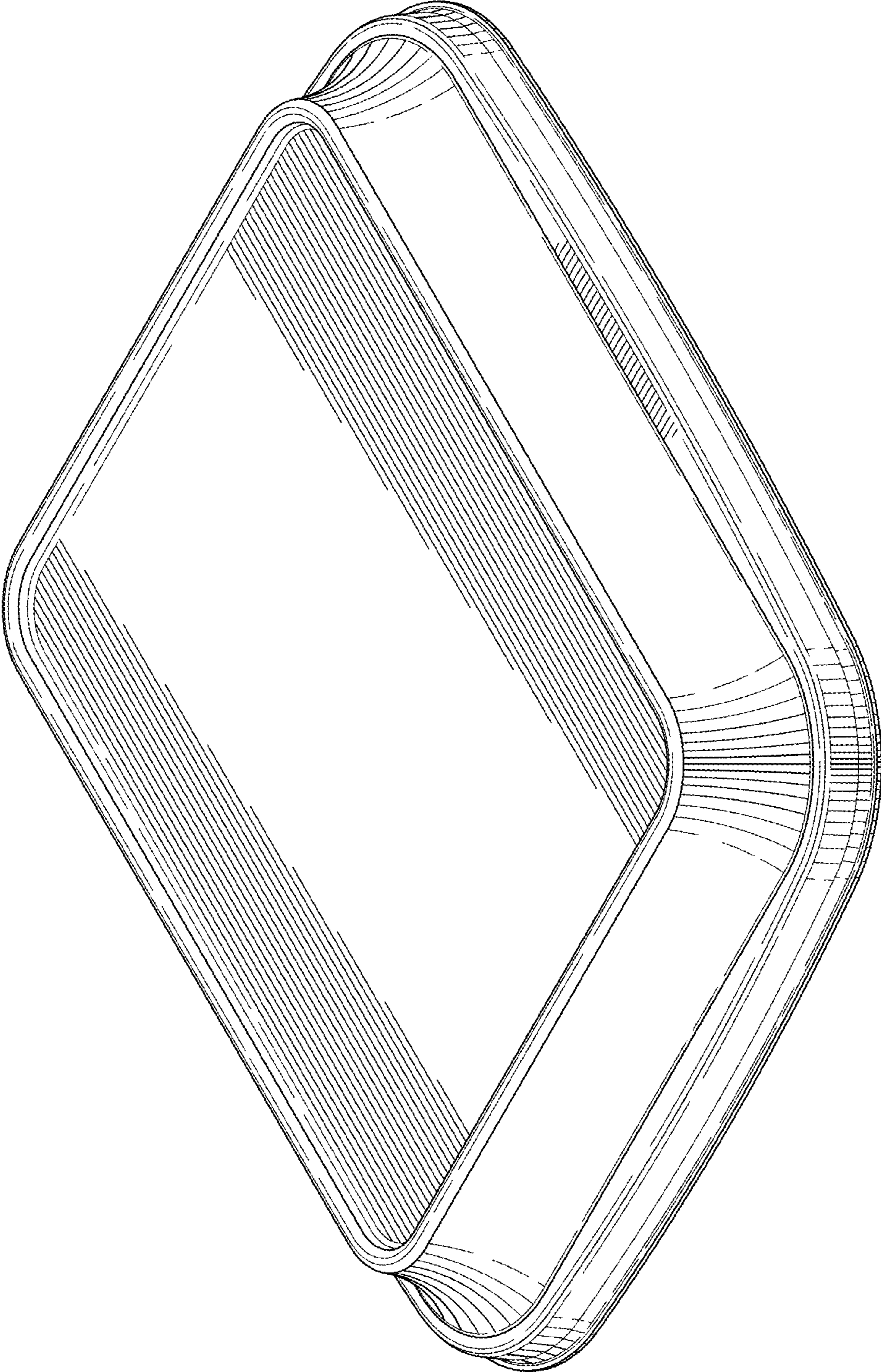


FIG. 1

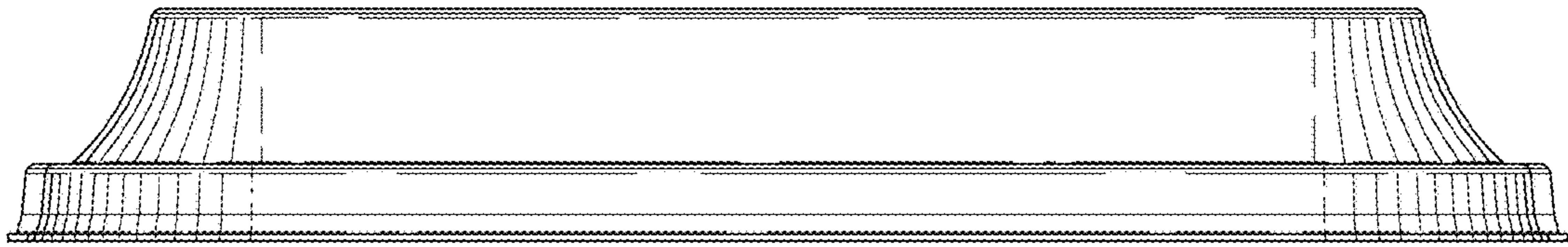


FIG. 2

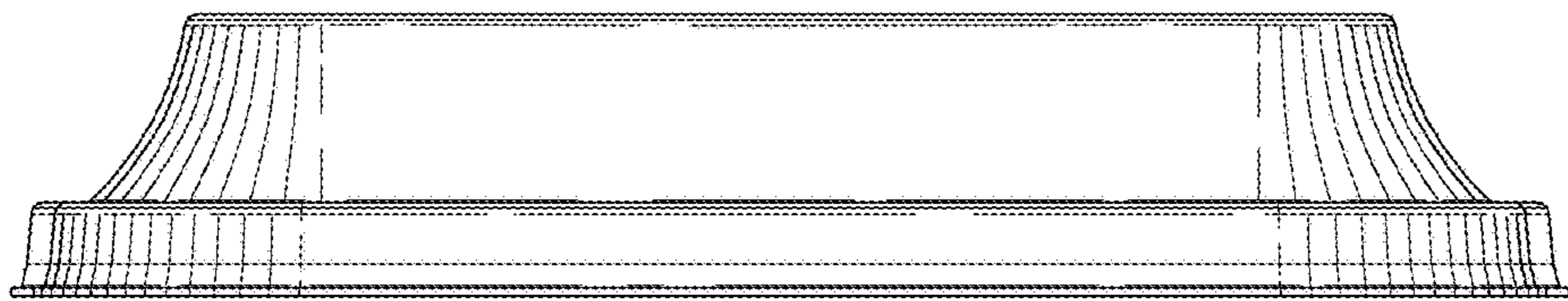


FIG. 3

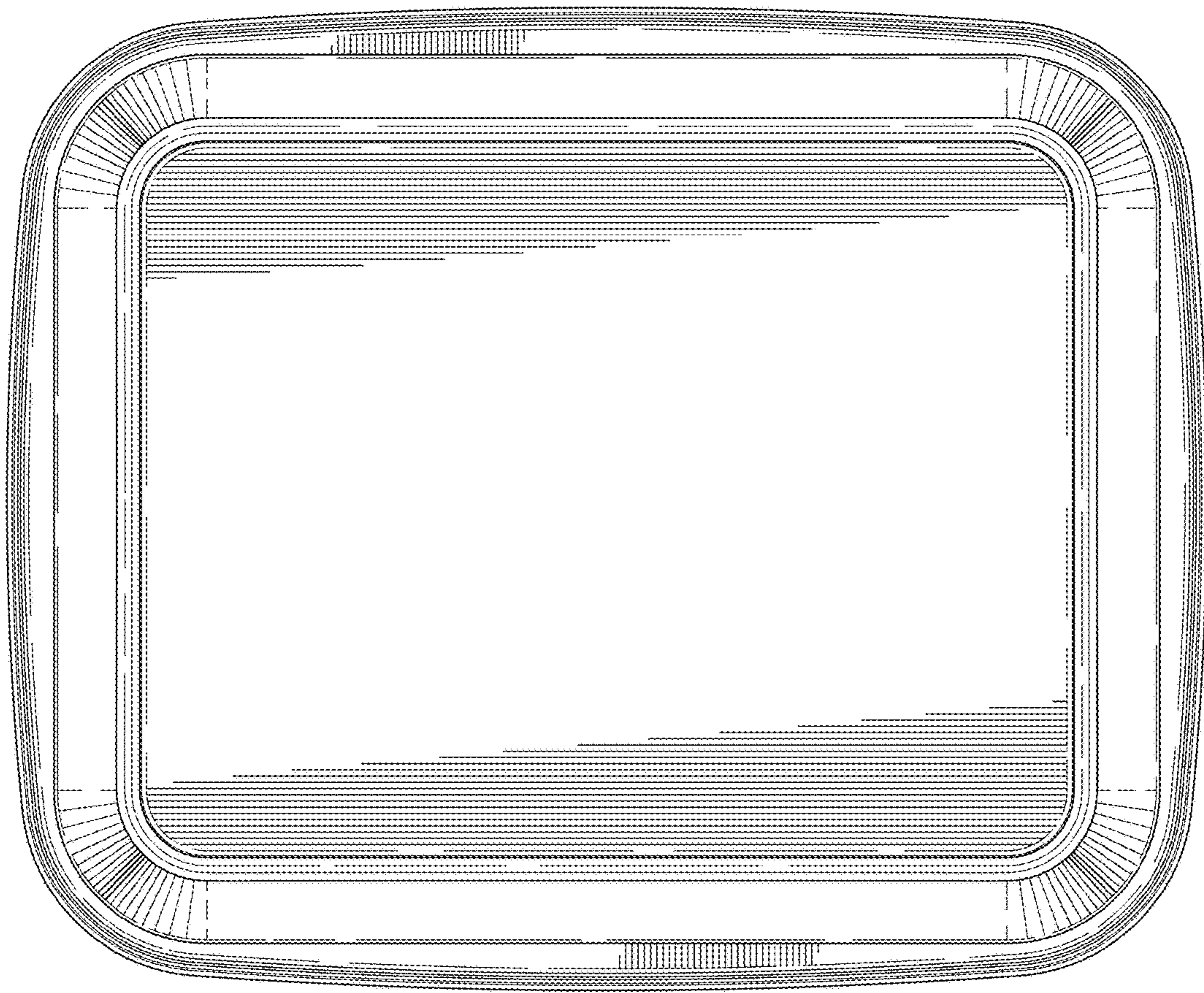


FIG. 4

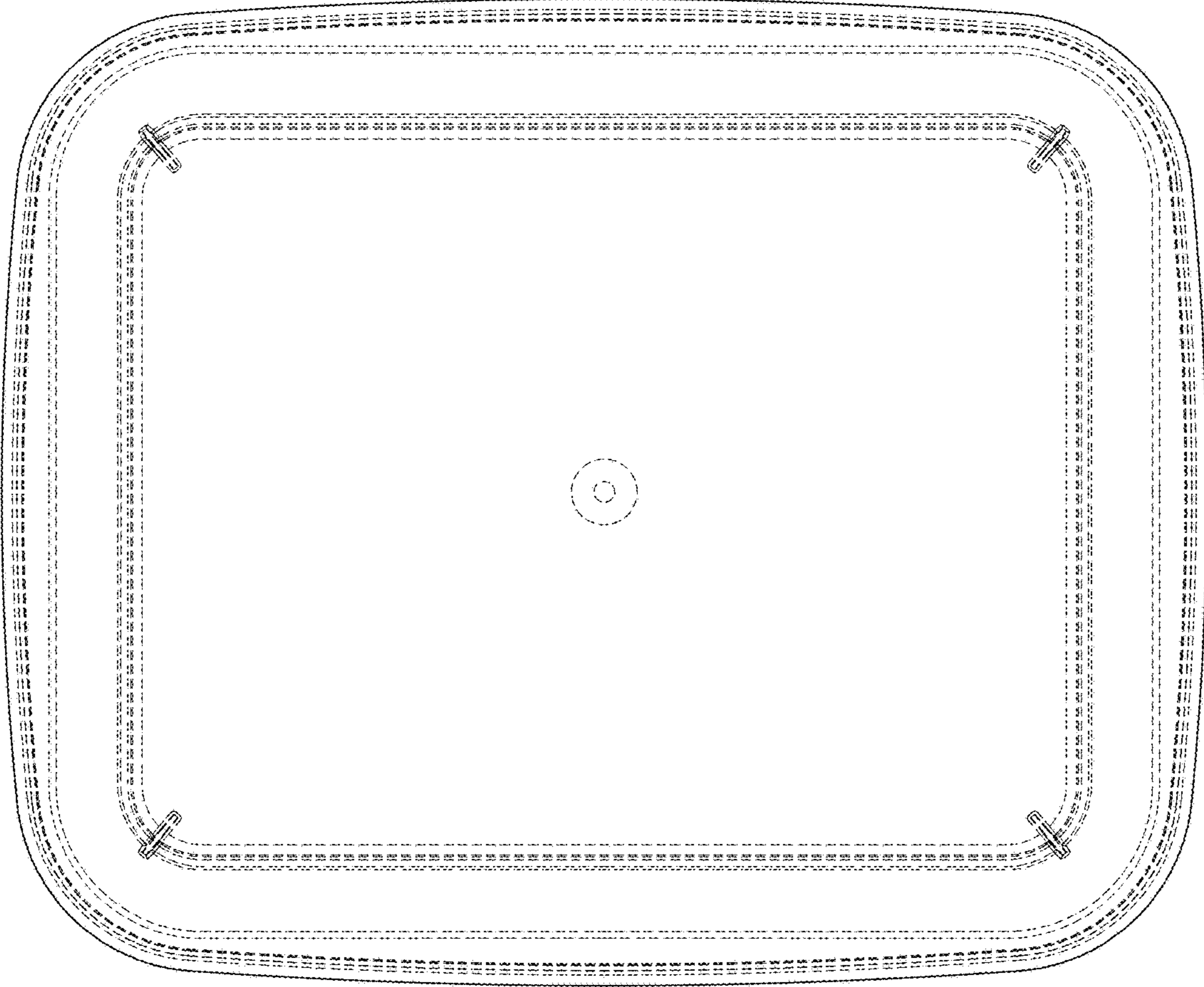


FIG. 5