



US00D809334S

(12) **United States Design Patent** (10) **Patent No.:** **US D809,334 S**
Lee (45) **Date of Patent:** **** Feb. 6, 2018**

(54) **BASE OF BLENDER**

(71) Applicant: **Wen-Ching Lee**, Taichung (TW)

(72) Inventor: **Wen-Ching Lee**, Taichung (TW)

(**) Term: **15 Years**

(21) Appl. No.: **29/579,496**

(22) Filed: **Sep. 30, 2016**

(30) **Foreign Application Priority Data**

Apr. 13, 2016 (CN) 2016 3 0121428

(51) **LOC (11) Cl.** **31-00**

(52) **U.S. Cl.**
USPC **D7/386; D7/376; D7/378; D7/412;**
D7/413

(58) **Field of Classification Search**
USPC D7/372, 376-386, 412-413, 602, 629,
D7/665-666, 669, 679, 693-694
CPC A21C 1/02; A21C 1/04; A23N 1/00; A23N
1/02; A47J 43/04; A47J 43/25; A47J
43/27; A47J 43/042; A47J 43/044; A47J
43/046; A47J 43/075; A47J 43/0722;
A47J 43/0727; B01F 3/00; B01F 3/0807;
B01F 3/0853; B01F 13/0059; B01F
13/0064; B02C 1/08; B02C 2/04; B02C
4/42; B02C 4/142; B02C 4/143; B02C
4/423; B02C 13/1835; B28C 5/10; B28C
5/12; B28C 5/14; B28C 5/16

See application file for complete search history.

(56) **References Cited**

U.S. PATENT DOCUMENTS

D552,419 S *	10/2007	Picozza	D7/412
D677,976 S *	3/2013	Palermo	D7/376
D704,502 S *	5/2014	Coakley	D7/376
D745,340 S *	12/2015	Lee	D7/412
D745,342 S *	12/2015	Lee	D7/412
D768,433 S *	10/2016	Gee, II	D7/376
D779,265 S *	2/2017	Barquin	D7/378
D786,614 S *	5/2017	Smith	D7/376
D794,384 S *	8/2017	Lee	D7/376
D799,891 S *	10/2017	Lecoutre	D7/378

* cited by examiner

Primary Examiner — Ricky Pham

(74) *Attorney, Agent, or Firm* — Muncy, Geissler, Olds & Lowe, P.C.

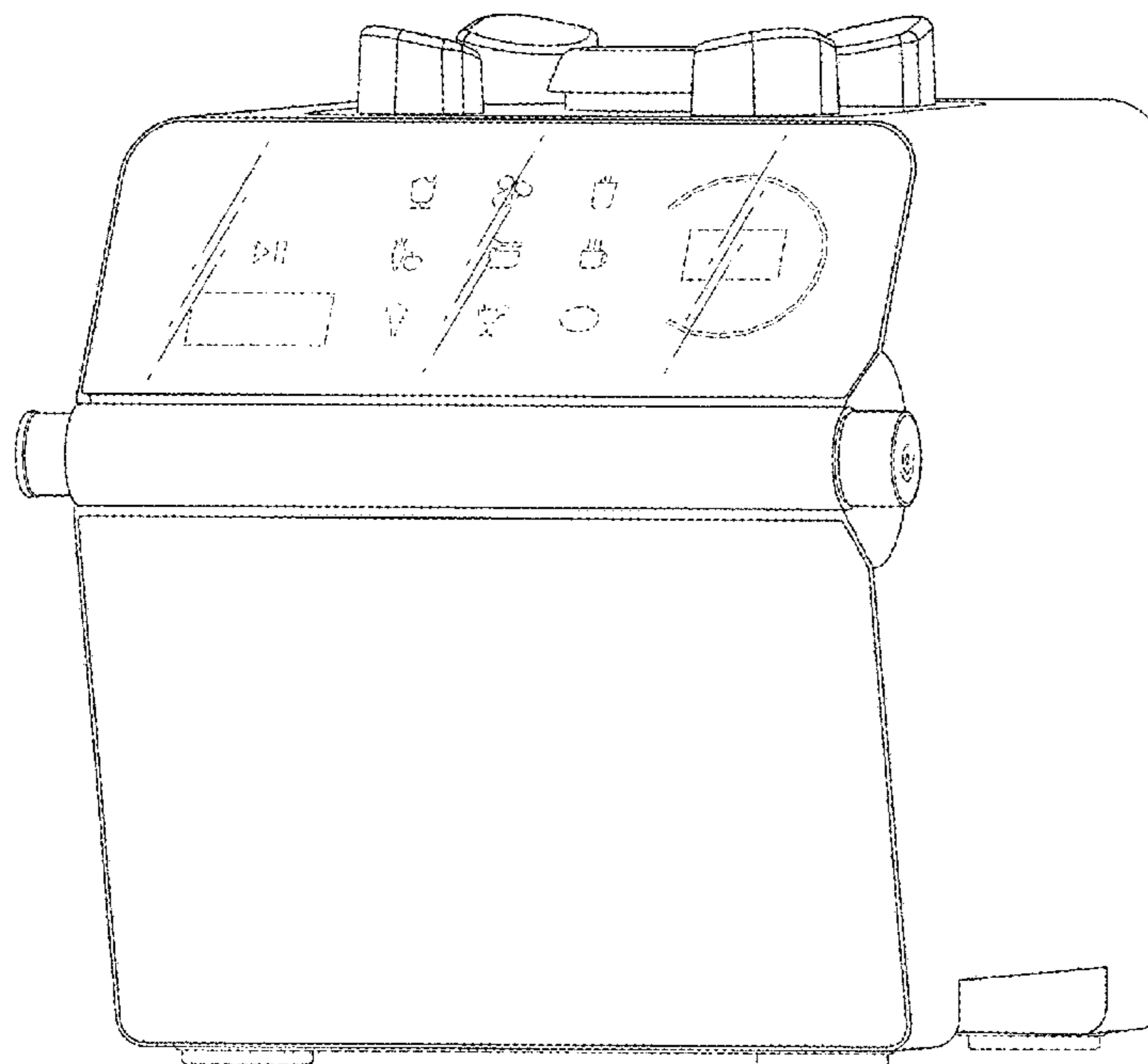
(57) **CLAIM**

The ornamental design for a base of blender, as shown and described.

DESCRIPTION

FIG. 1 is a perspective view of the present design;
FIG. 2 is a front view of the present design;
FIG. 3 is a rear view of the present design;
FIG. 4 is a left side view of the present design;
FIG. 5 is a right side view of the present design;
FIG. 6 is a top view of the present design; and,
FIG. 7 is a bottom view of the present design.
The broken lines showing structural features are for illustrative purposes only and form no part of the claimed design.

1 Claim, 7 Drawing Sheets



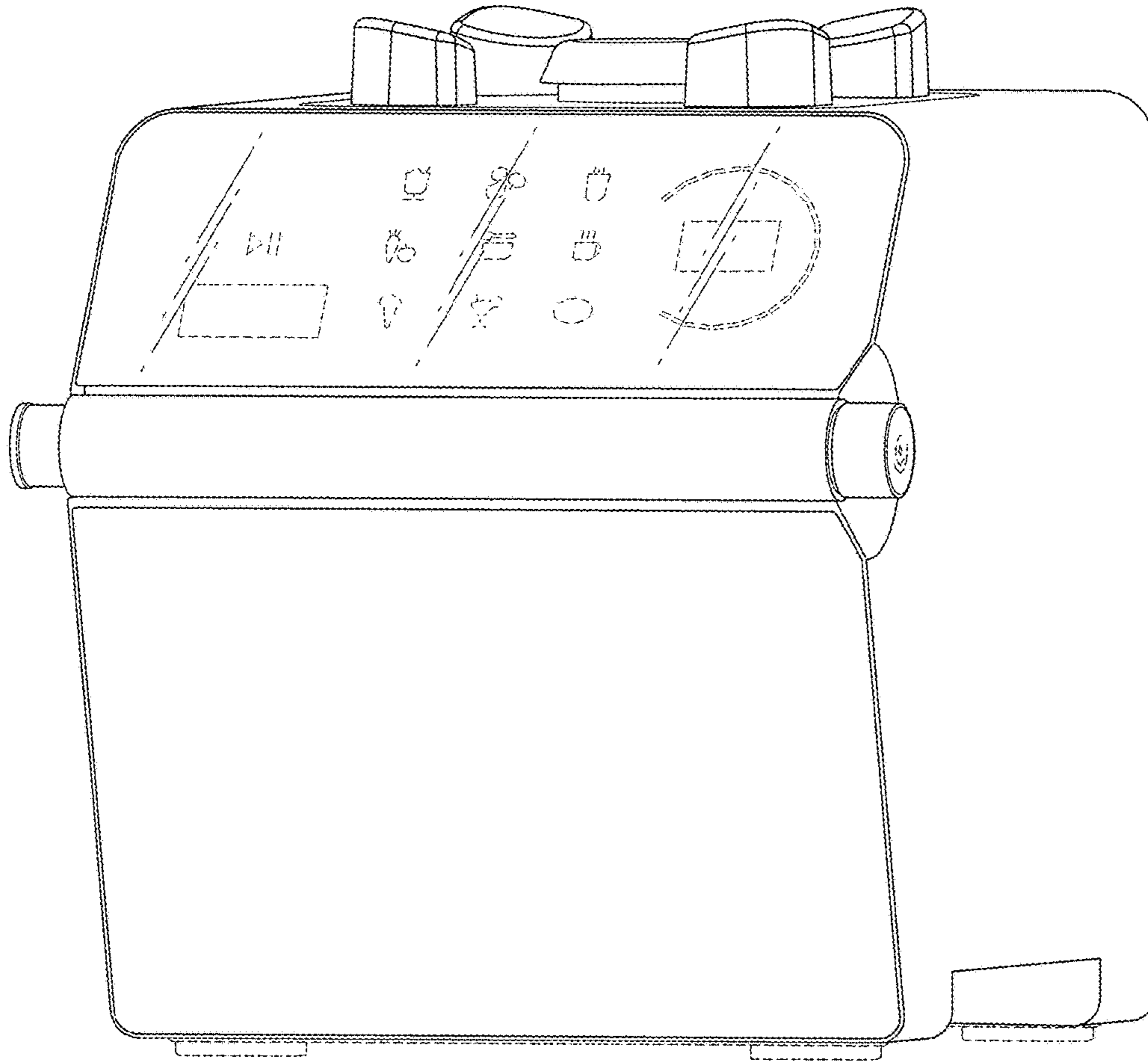


FIG. 1

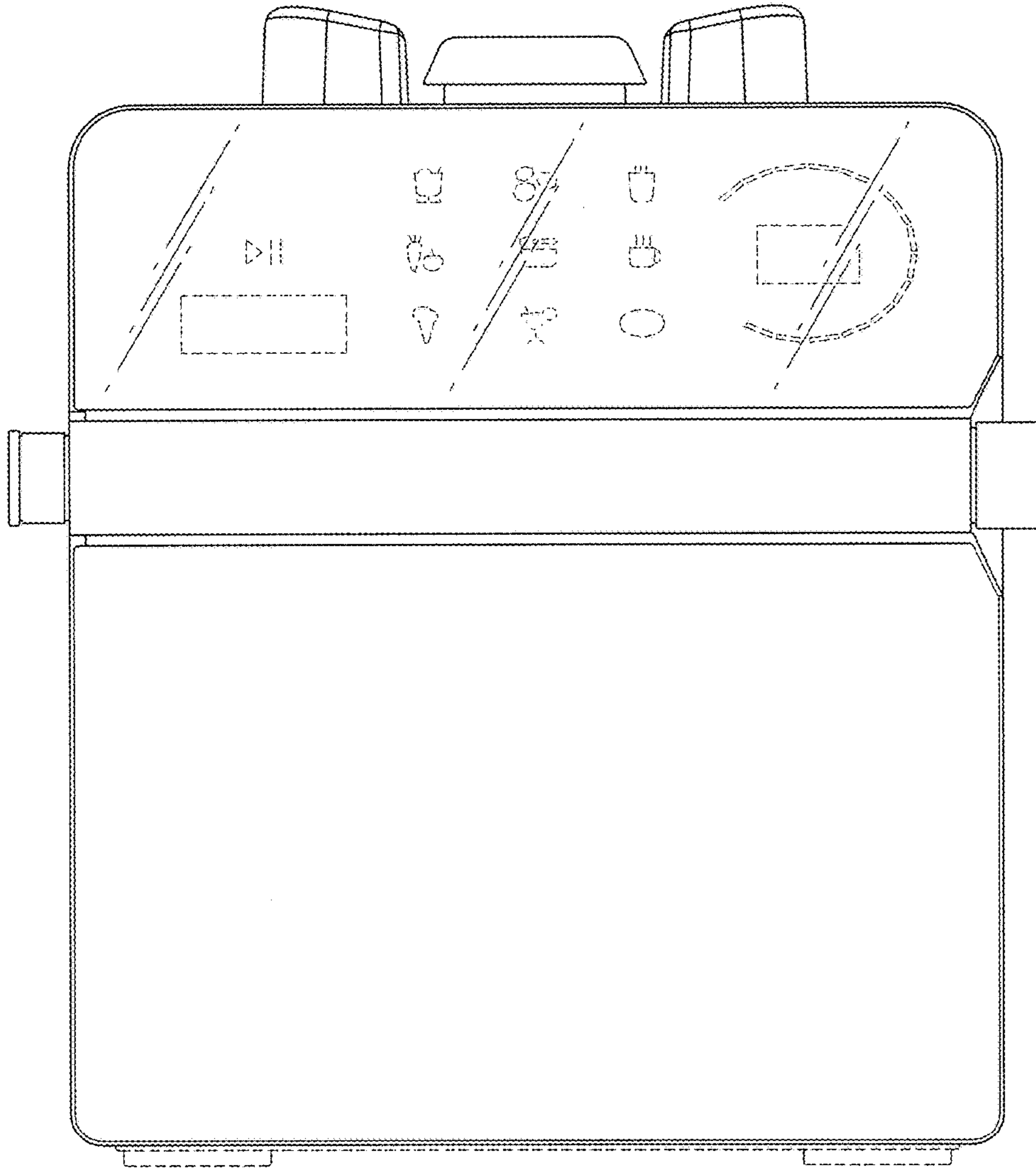


FIG. 2

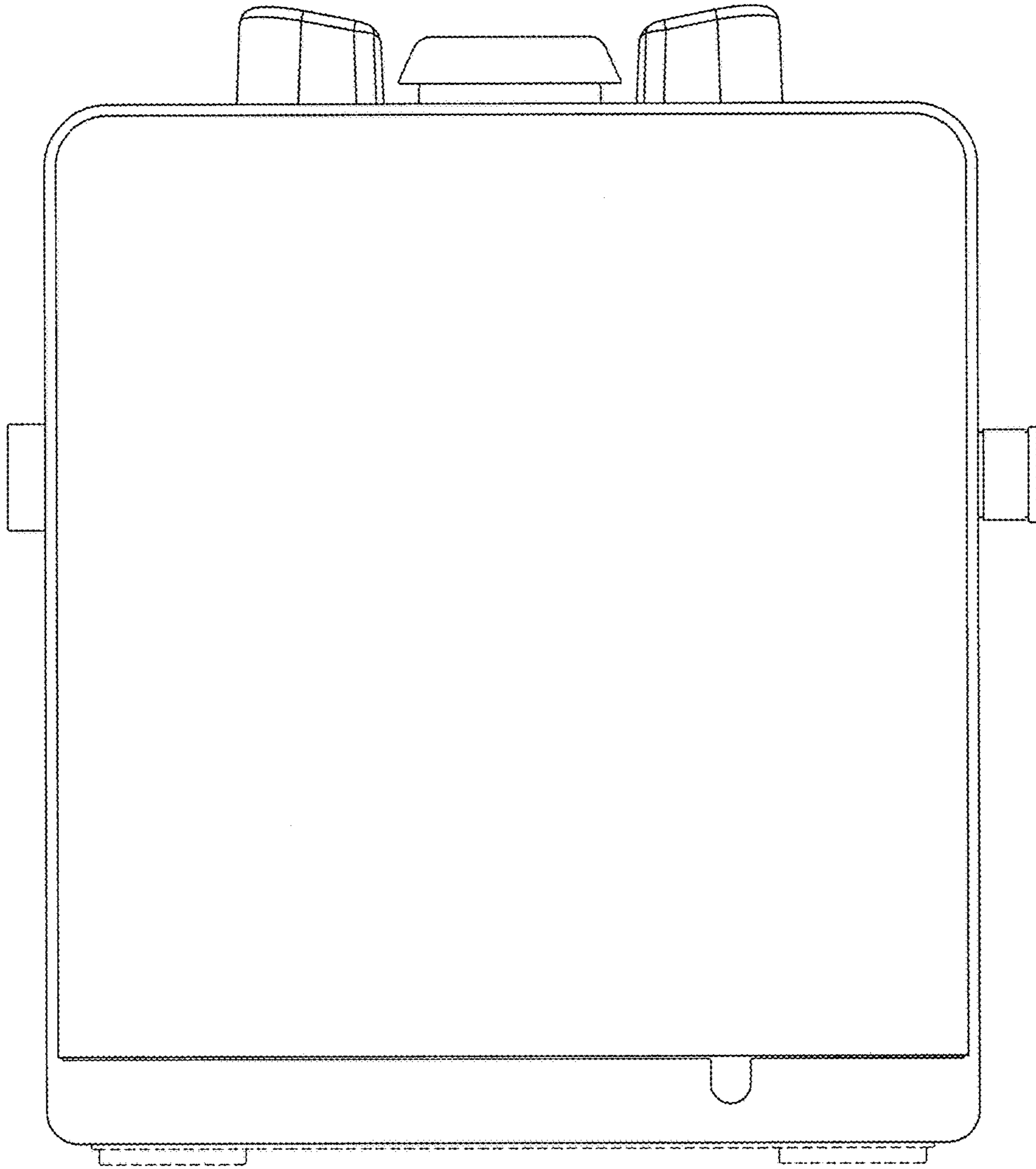


FIG. 3

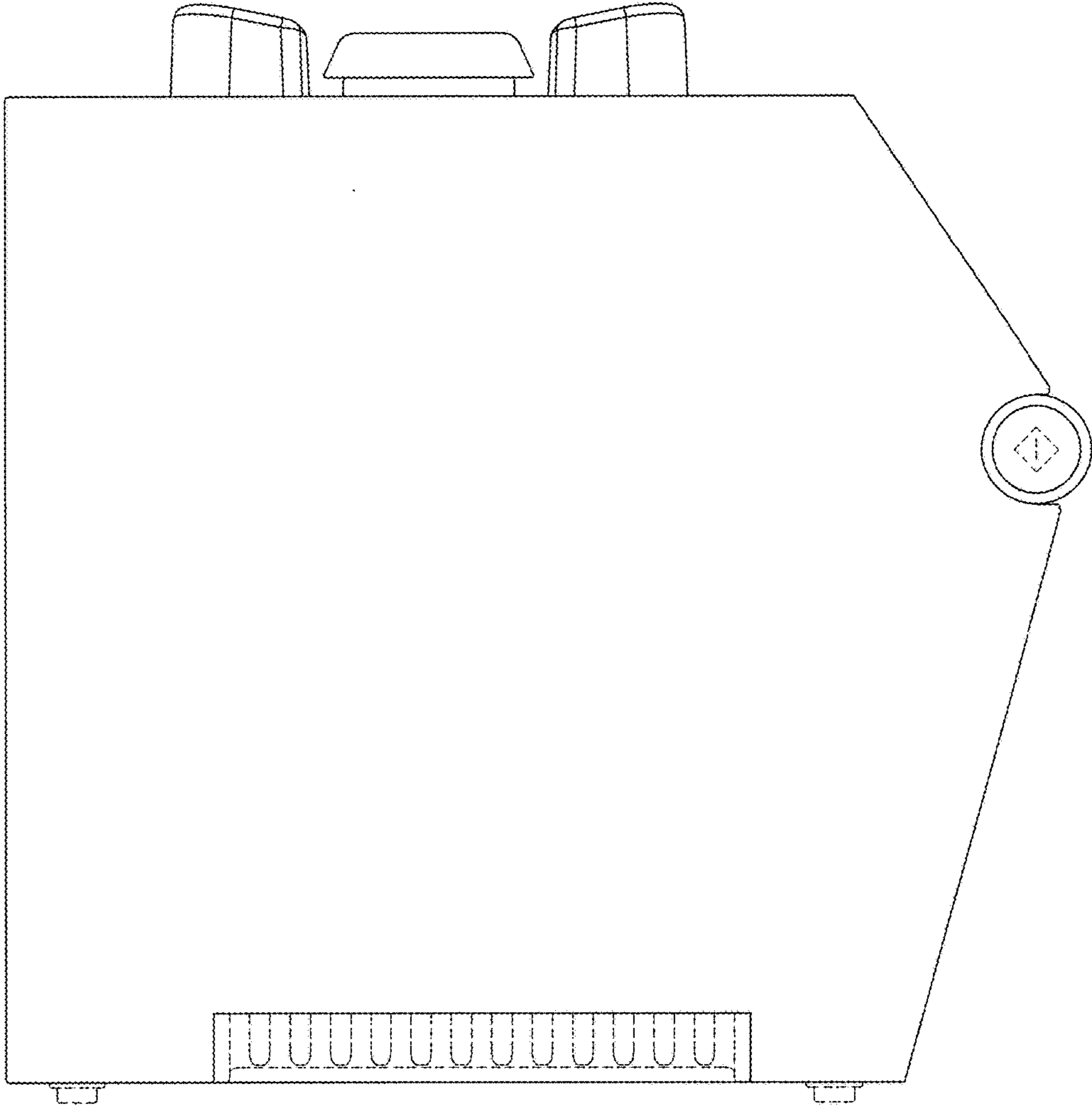


FIG. 4

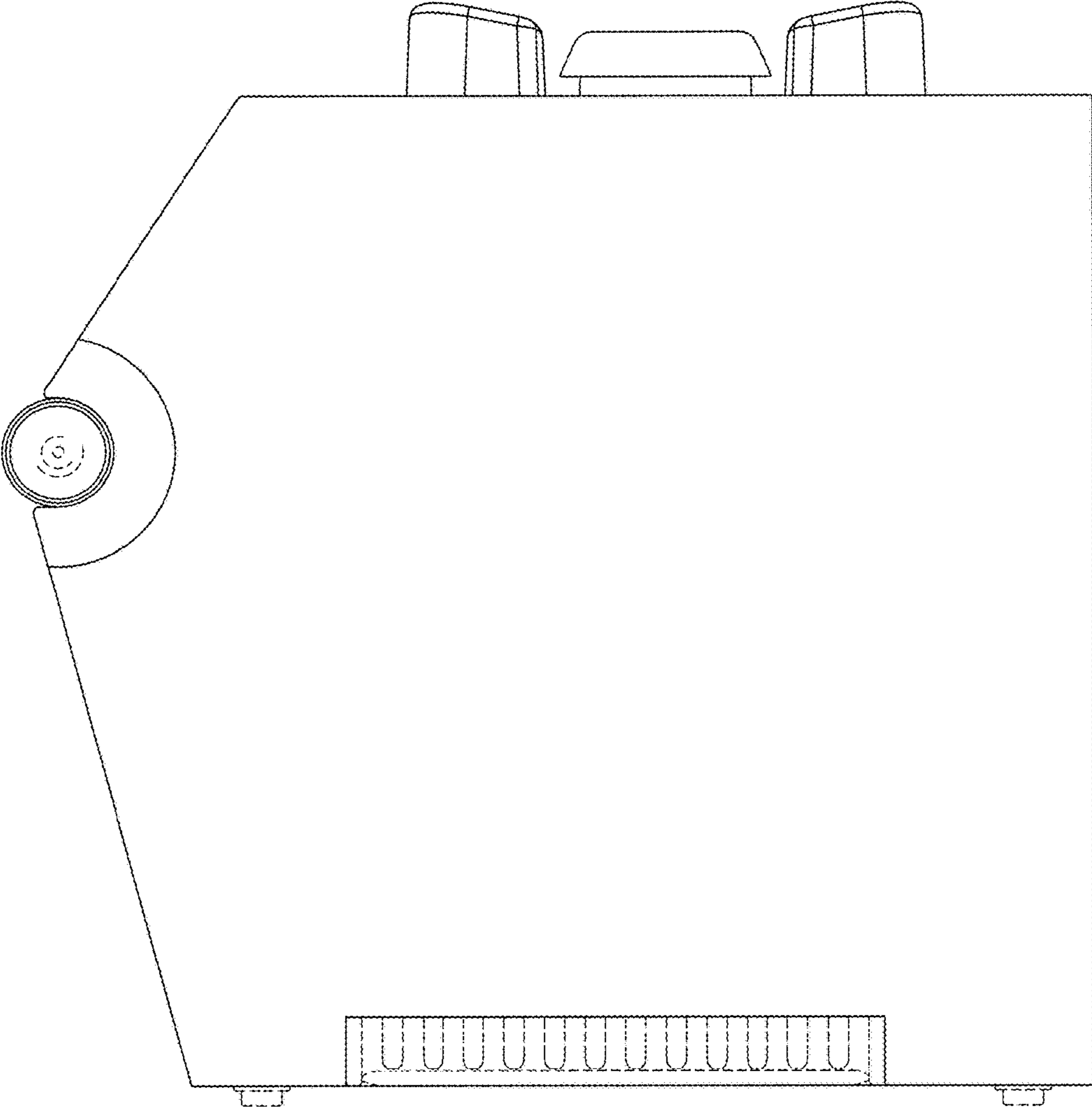


FIG. 5

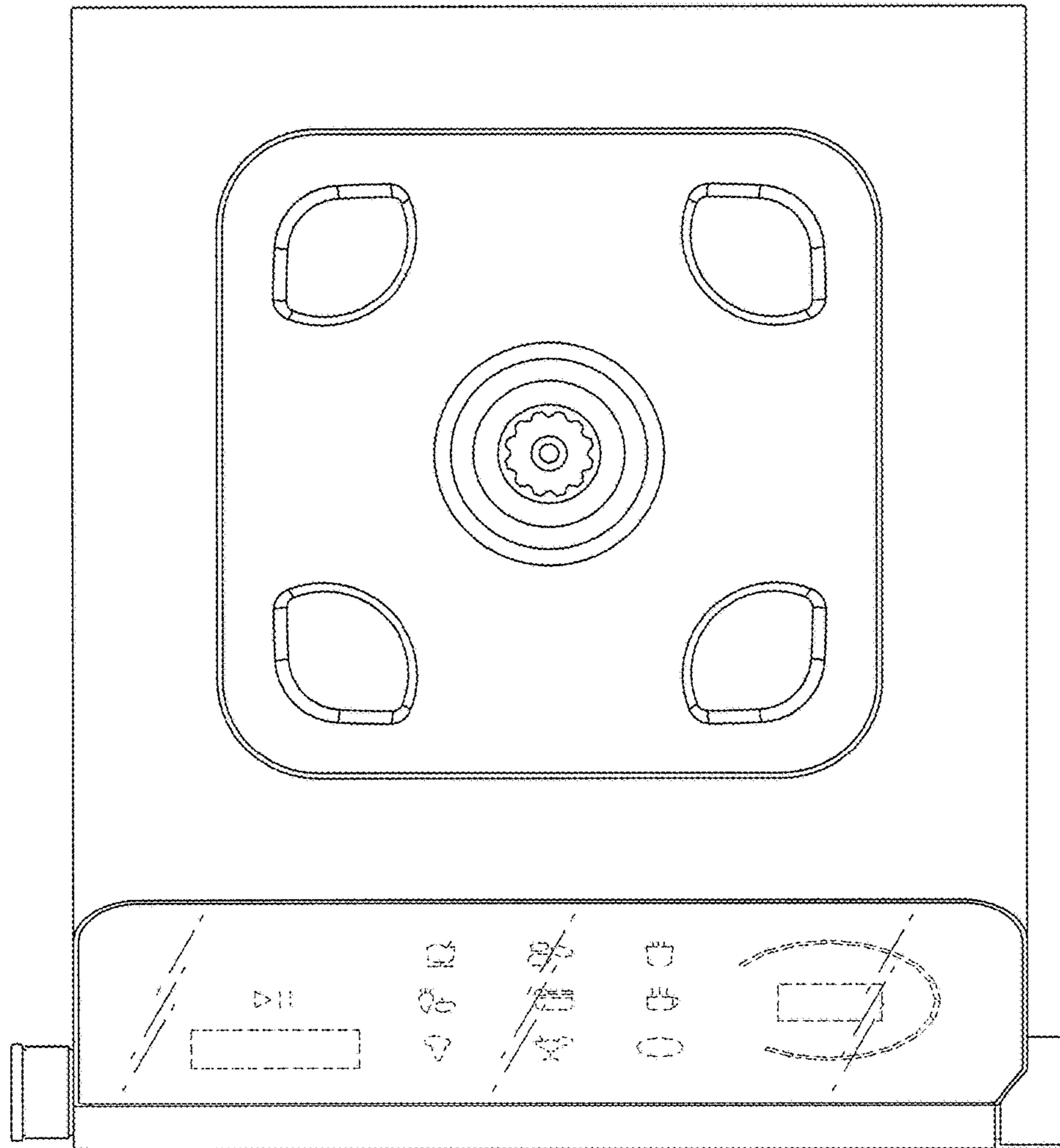


FIG. 6

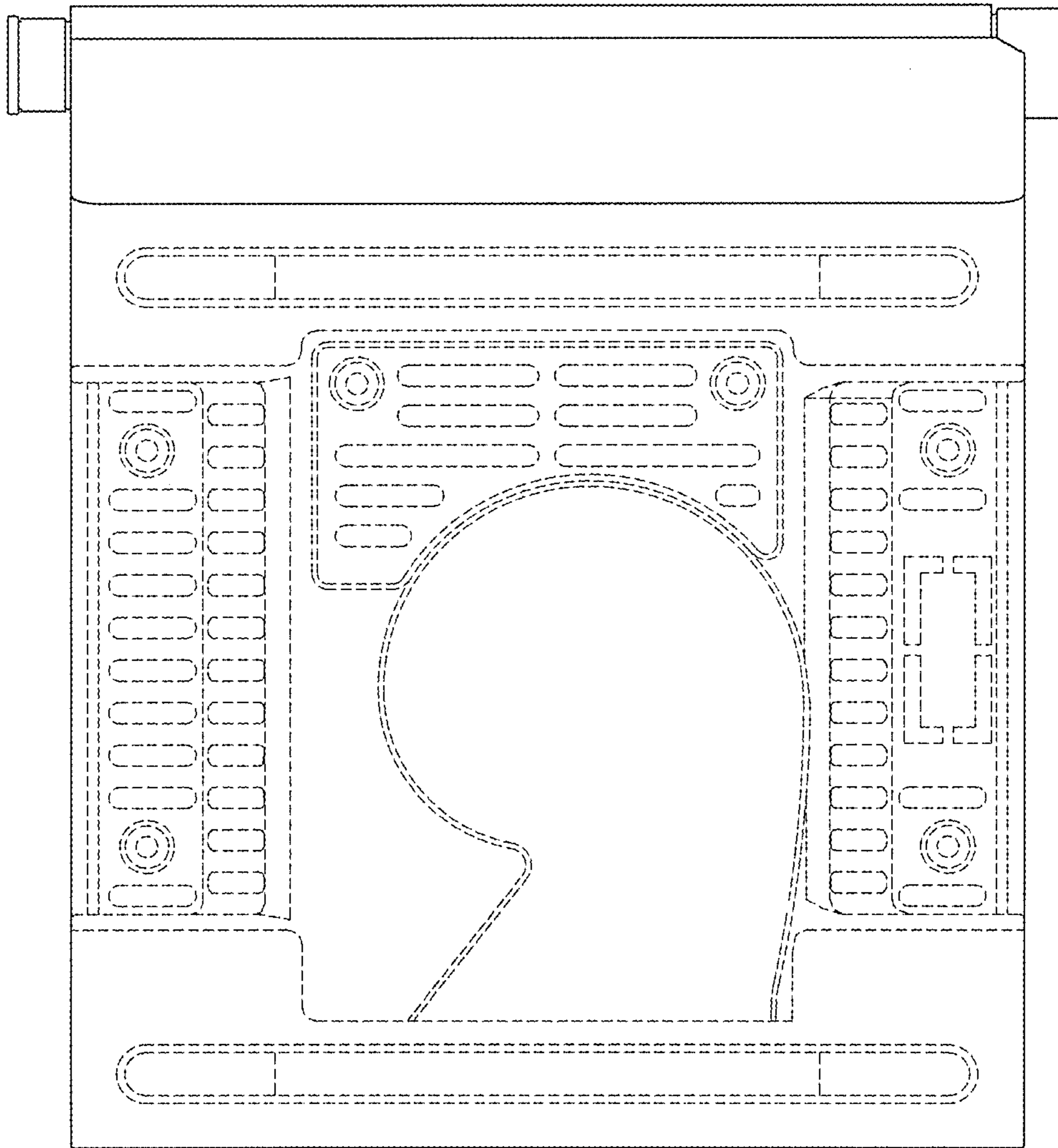


FIG. 7