

US00D809333S

(12) **United States Design Patent** (10) **Patent No.:** **US D809,333 S**
Lee (45) **Date of Patent:** **** Feb. 6, 2018**

(54) **BASE FOR A FOOD PROCESSOR**
(71) Applicant: **Wen-Ching Lee**, Taichung (TW)
(72) Inventor: **Wen-Ching Lee**, Taichung (TW)
(**) Term: **15 Years**
(21) Appl. No.: **29/561,433**
(22) Filed: **Apr. 15, 2016**

(30) **Foreign Application Priority Data**

Nov. 10, 2015 (HK) 1502404.5

(51) **LOC (11) Cl.** **31-00**

(52) **U.S. Cl.**
USPC **D7/386; D7/376; D7/378**

(58) **Field of Classification Search**
USPC D7/316, 323, 372-381, 383-384,
D7/386-387, 393, 402-415, 602, 629,
D7/694
CPC .. A21C 1/02; A21C 1/04; A47J 43/044; A47J
43/046; A47J 43/075; A47J 43/0722;
A47J 43/0727; A47J 43/07; A23N 1/00;
A23N 1/02; B01F 3/00
See application file for complete search history.

(56) **References Cited**

U.S. PATENT DOCUMENTS

D339,715 S * 9/1993 Barrault D7/378
D484,357 S * 12/2003 Seum D7/378
D488,344 S * 4/2004 Seum D7/384
D502,047 S * 2/2005 Ledingham D7/384
D526,531 S * 8/2006 Drees D7/378
D542,085 S * 5/2007 Reyes D7/386
D552,419 S * 10/2007 Picozza D7/412
D587,961 S * 3/2009 Lavy D7/378
D605,462 S * 12/2009 Picozza D7/378
D637,870 S * 5/2011 Bock D7/378
D644,480 S * 9/2011 Czach D7/376

D660,642 S * 5/2012 Boozer D7/376
D660,643 S * 5/2012 Boozer D7/376
D667,259 S * 9/2012 Lee D7/376
D668,100 S * 10/2012 Palermo D7/376
D670,532 S * 11/2012 Boozer D7/376
D690,152 S * 9/2013 Palermo D7/376
D694,573 S * 12/2013 Norland D7/376
D694,574 S * 12/2013 Norland D7/376
D694,582 S * 12/2013 Norland D7/376
D694,583 S * 12/2013 Norland D7/376
D733,488 S * 7/2015 Tu D7/376
D772,650 S * 11/2016 Barquin D7/376
D773,248 S * 12/2016 Barquin D7/376
2003/0213373 A1 * 11/2003 Dickson, Jr. A47J 43/0716
99/348
2008/0089170 A1 * 4/2008 Larsen A47J 43/046
366/192
2014/0061344 A1 * 3/2014 Conti A47J 43/0722
241/100

(Continued)

Primary Examiner — Caron D Veynar
Assistant Examiner — Mehri Bajoul
(74) *Attorney, Agent, or Firm* — Muncy, Geissler, Olds & Lowe, P.C.

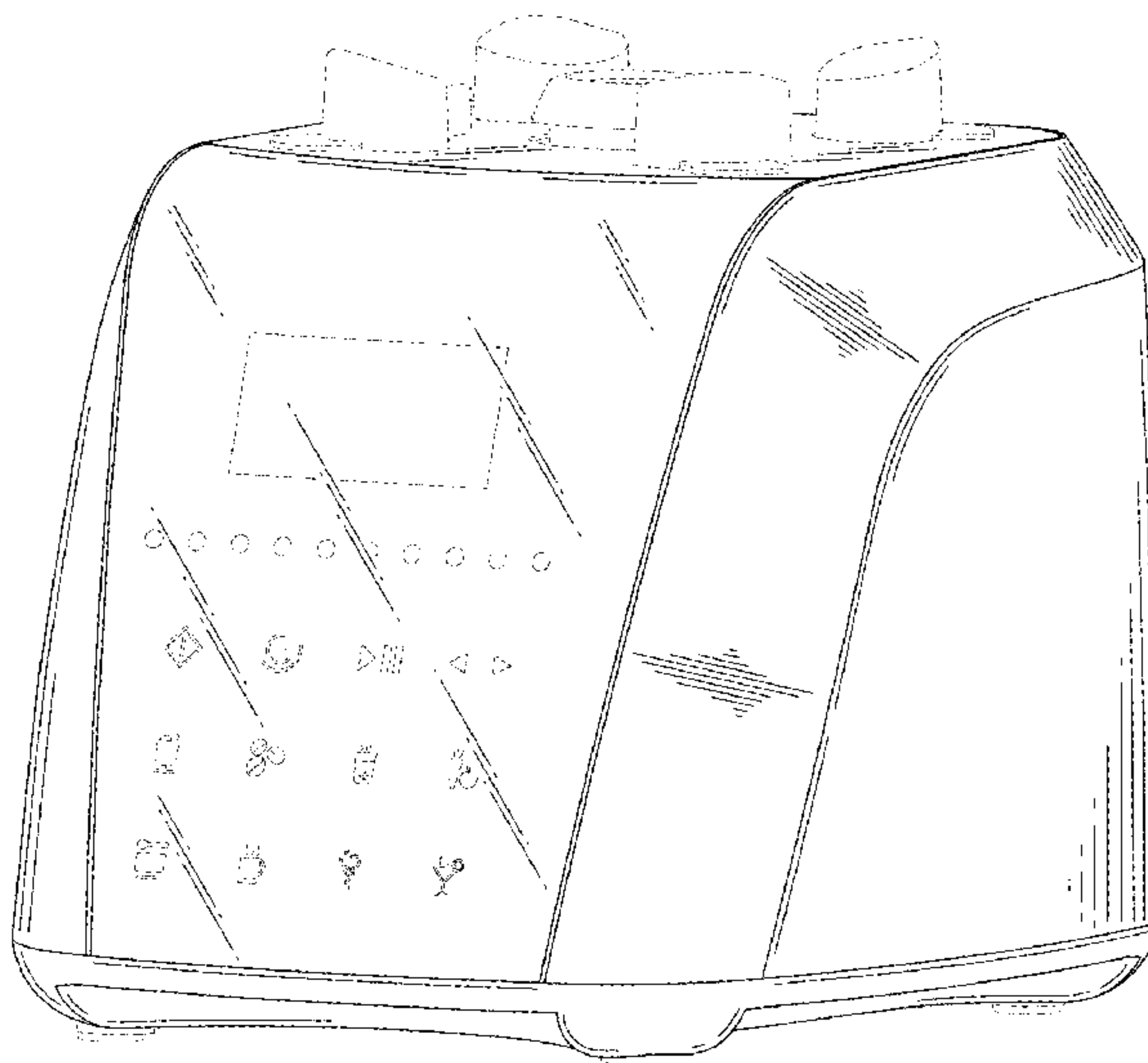
(57) **CLAIM**

The ornamental design for a base for a food processor, as shown and described.

DESCRIPTION

FIG. 1 is a perspective view of the present design;
FIG. 2 is a front view of the present design;
FIG. 3 is a rear view of the present design;
FIG. 4 is a left side view of the present design;
FIG. 5 is a right side view of the present design;
FIG. 6 is a top view of the present design; and,
FIG. 7 is a bottom view of the present design.
In the drawings, the broken lines depict portions of the design but form no part of the claimed design.

1 Claim, 7 Drawing Sheets



(56)

References Cited

U.S. PATENT DOCUMENTS

2016/0296072 A1* 10/2016 Lee A47J 43/0716
2016/0331182 A1* 11/2016 Golino B02C 25/00

* cited by examiner

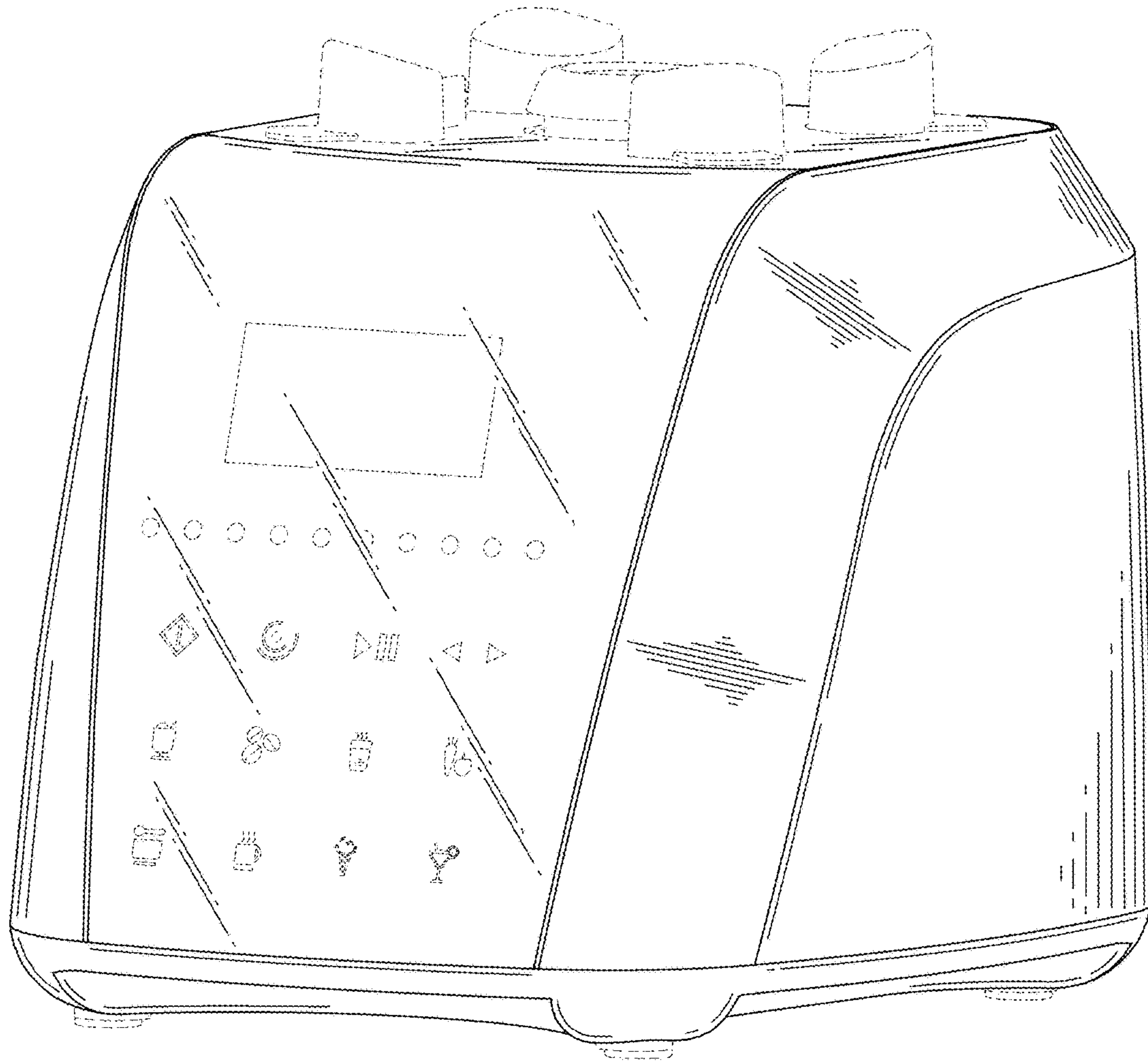


FIG. 1

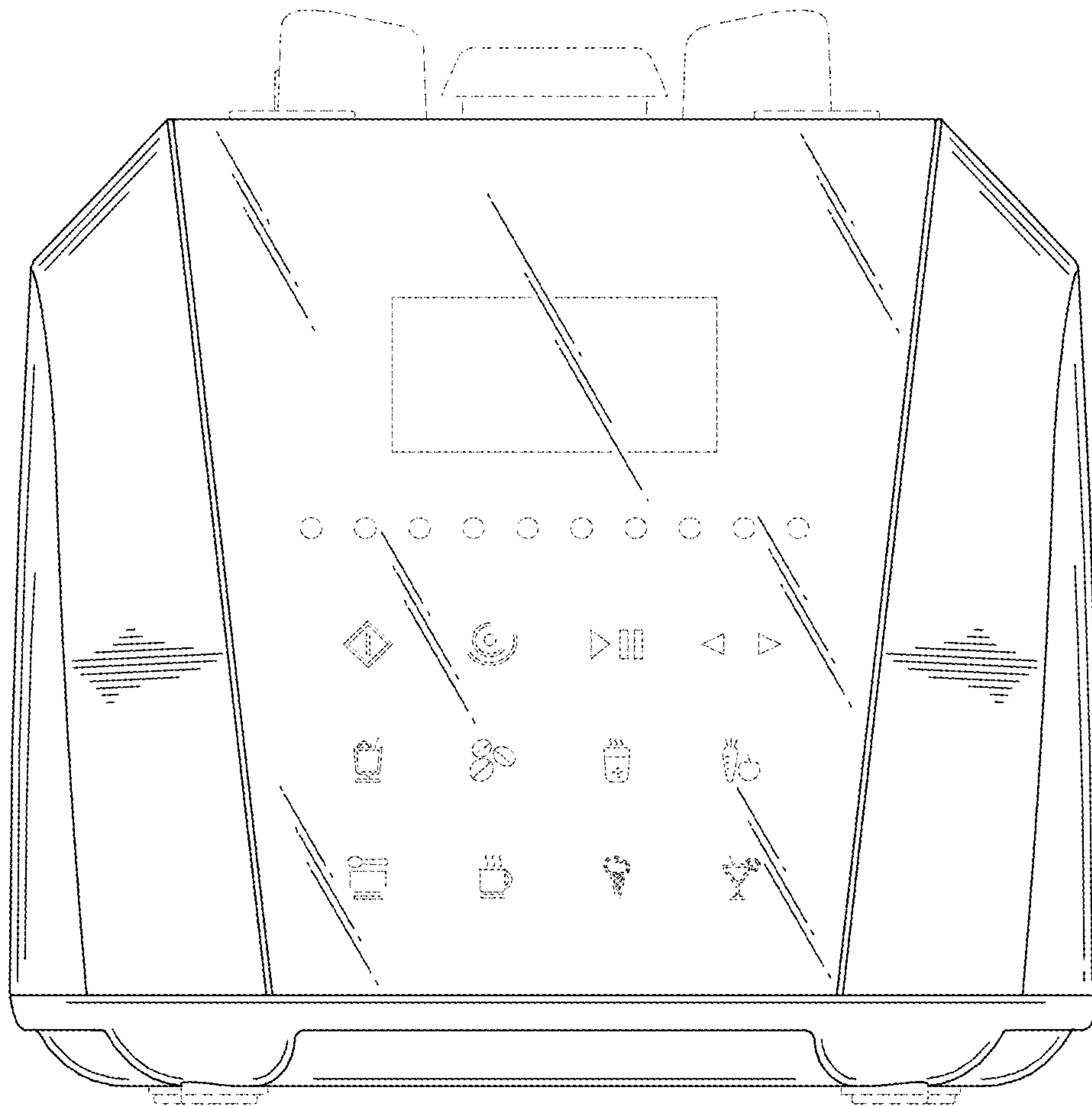


FIG. 2

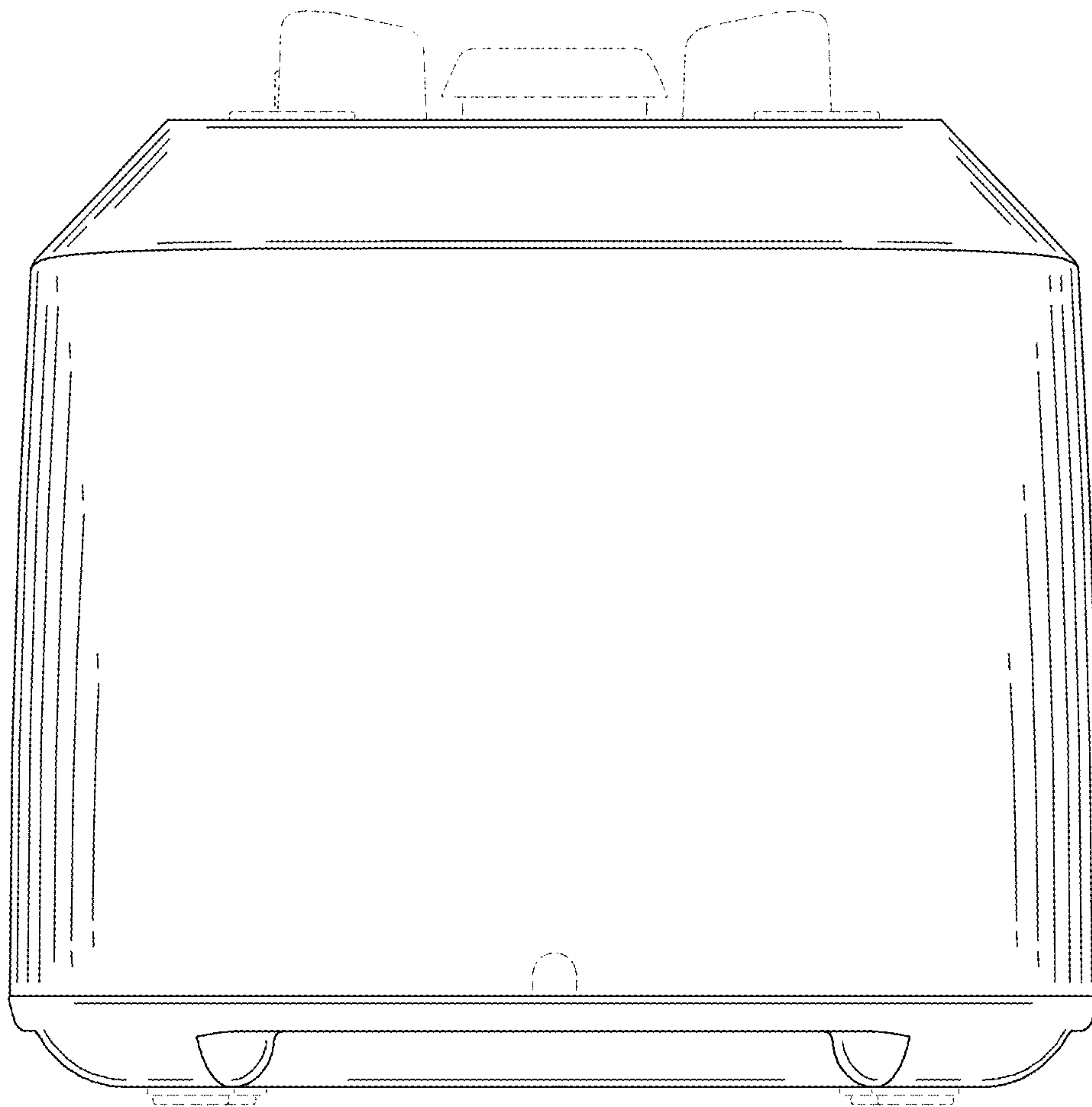


FIG. 3

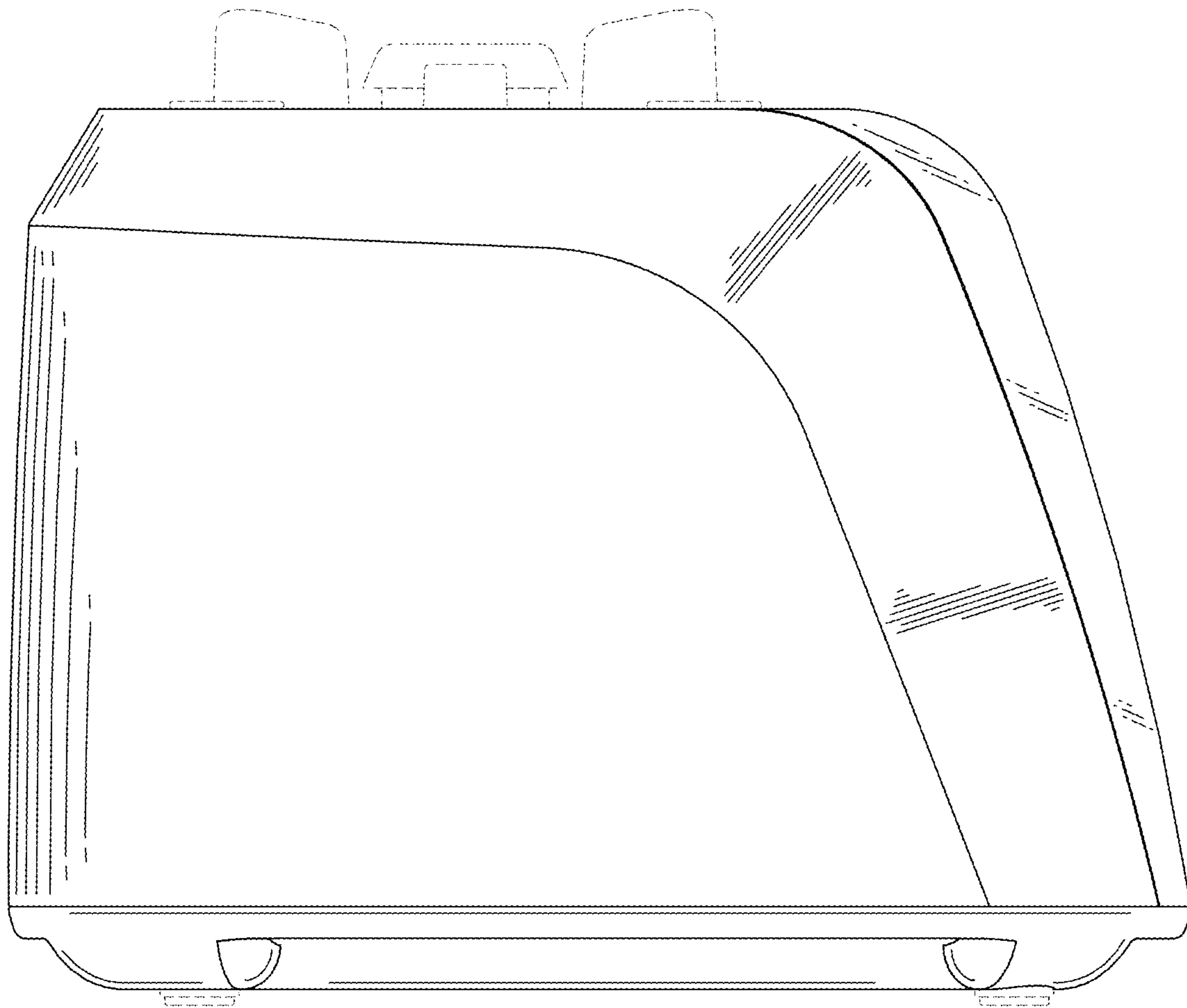


FIG. 4

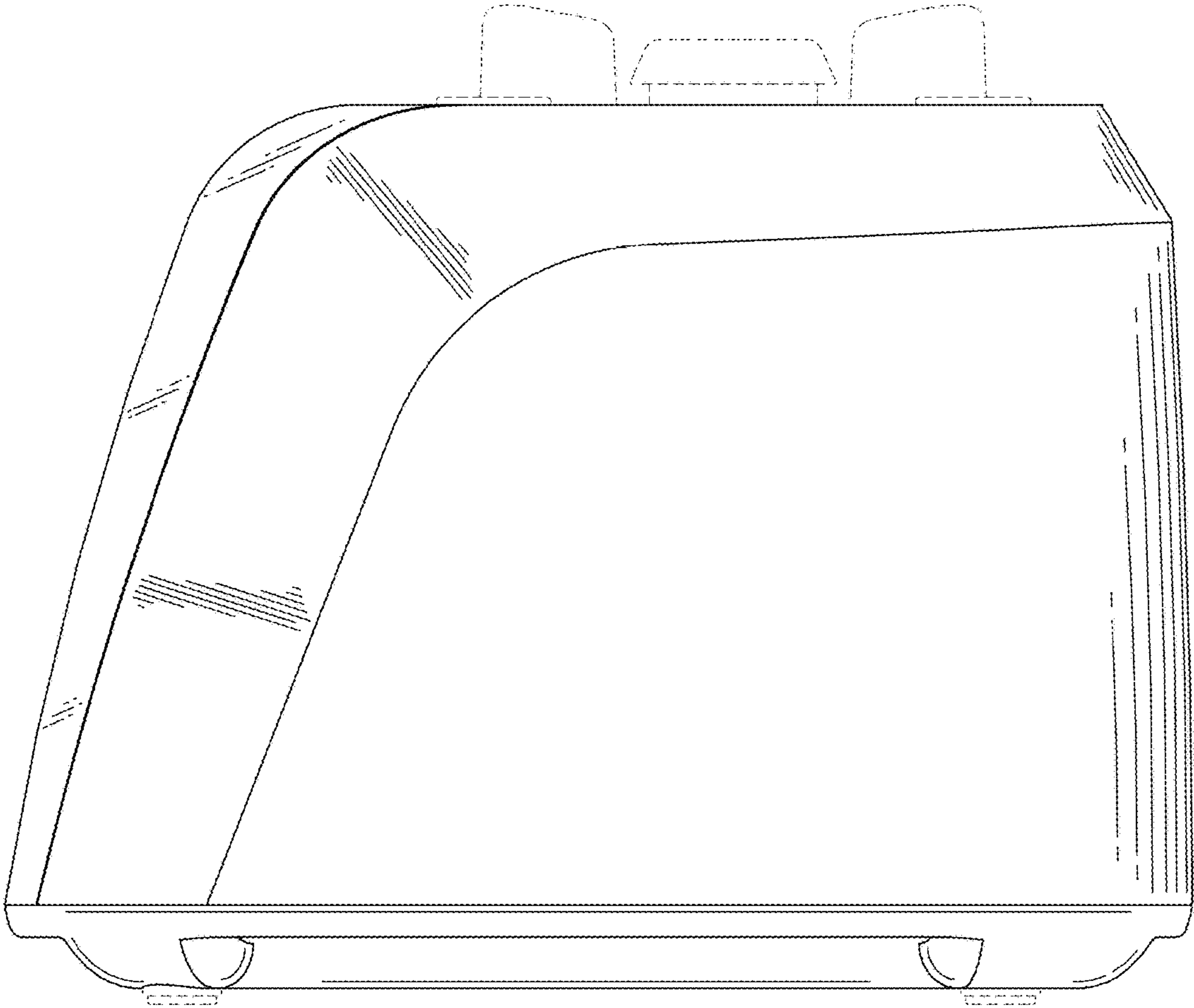


FIG. 5

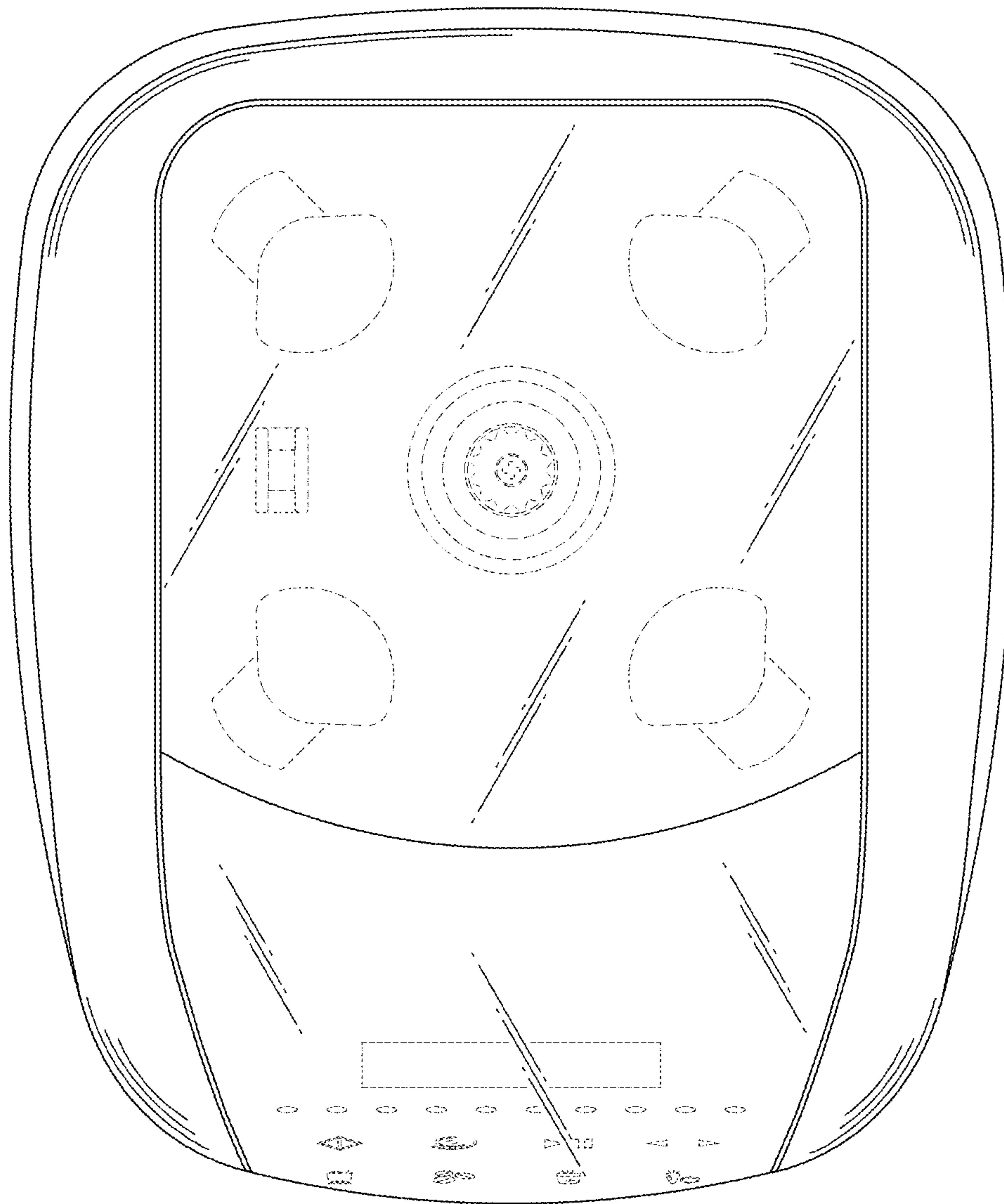


FIG. 6

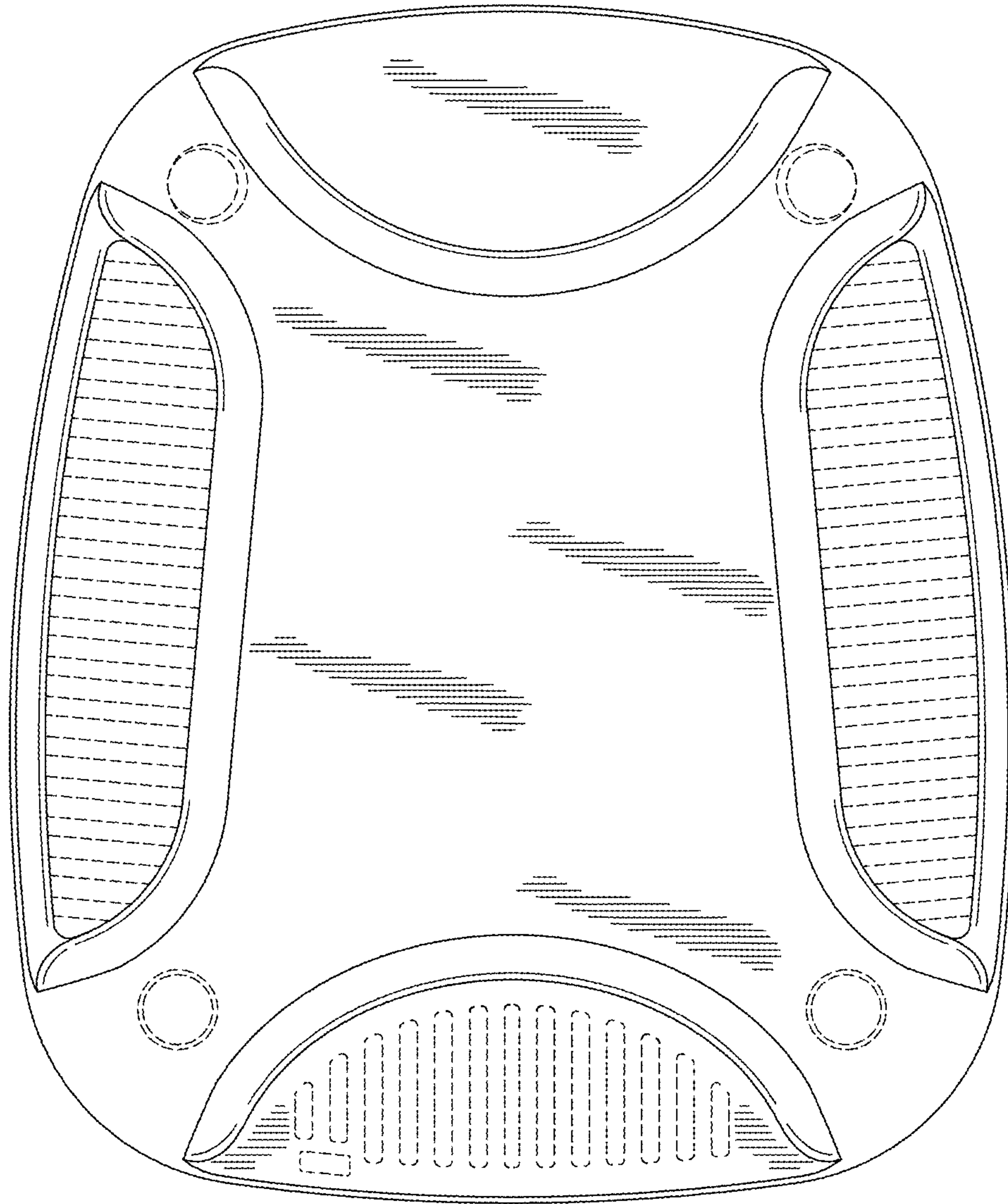


FIG. 7