



US00D809331S

(12) **United States Design Patent** (10) **Patent No.:** **US D809,331 S**  
**Blazquez et al.** (45) **Date of Patent:** **\*\* Feb. 6, 2018**

(54) **FOOD MIXER**

(71) Applicant: **SAMMIC, S.L.**, Azkoitia, Guipúzcoa (ES)

(72) Inventors: **Carlos Blazquez**, Guipúzcoa (ES); **Chao Chen**, Guipúzcoa (ES); **Javier Hidalgo**, Guipúzcoa (ES); **Aitor Gogorza**, Guipúzcoa (ES)

(73) Assignee: **SAMMIC, S.L.**, Azkoitia, Guipuzcoa (ES)

(\*\*) Term: **15 Years**

(21) Appl. No.: **29/601,374**

(22) Filed: **Apr. 21, 2017**

**Related U.S. Application Data**

(62) Division of application No. 29/550,789, filed on Jan. 7, 2016.

(30) **Foreign Application Priority Data**

- Nov. 26, 2015 (EM) ..... 002878454-0001
- Nov. 26, 2015 (EM) ..... 002878454-0002
- Nov. 26, 2015 (EM) ..... 002878454-0003
- Nov. 26, 2015 (EM) ..... 002878454-0004
- Nov. 26, 2015 (EM) ..... 002878454-0005
- Nov. 26, 2015 (EM) ..... 002878454-0006

(51) **LOC (11) Cl.** ..... **31-00**

(52) **U.S. Cl.**  
USPC ..... **D7/379**

(58) **Field of Classification Search**  
USPC ..... D7/372, 376, 378-381, 383, 393, 395, D7/669  
CPC .. A21C 1/02; A21C 1/04; A47J 43/044; A47J 43/042; A47J 43/04409; A47J 43/0722; A47J 43/0755; A47J 43/07; A47J 43/1056; A47J 43/04; B01F 3/00  
See application file for complete search history.

(56) **References Cited**

U.S. PATENT DOCUMENTS

D162,833 S *	4/1951	Jannelli .....	D7/379
D271,176 S *	11/1983	Zimnowicz .....	D7/379
D308,001 S *	5/1990	Ricard .....	D7/376
D314,489 S *	2/1991	Van Deursen .....	D7/379
D327,603 S *	7/1992	van Asten .....	D7/376
D358,293 S *	5/1995	Sebastia .....	D7/376
D361,241 S *	8/1995	Littmann .....	D7/376
D392,504 S *	3/1998	Lallemand .....	D7/376
D394,367 S *	5/1998	Littmann .....	D7/376
D398,809 S *	9/1998	Henderson .....	D7/376

(Continued)

FOREIGN PATENT DOCUMENTS

EP	1230883 A2 *	8/2002 .....	A47J 43/06
EP	1733665 A2 *	12/2006 .....	A47J 43/0755

(Continued)

*Primary Examiner* — Caron D Veynar

*Assistant Examiner* — Mehri F Bajoul

(74) *Attorney, Agent, or Firm* — Collard & Roe, P.C.

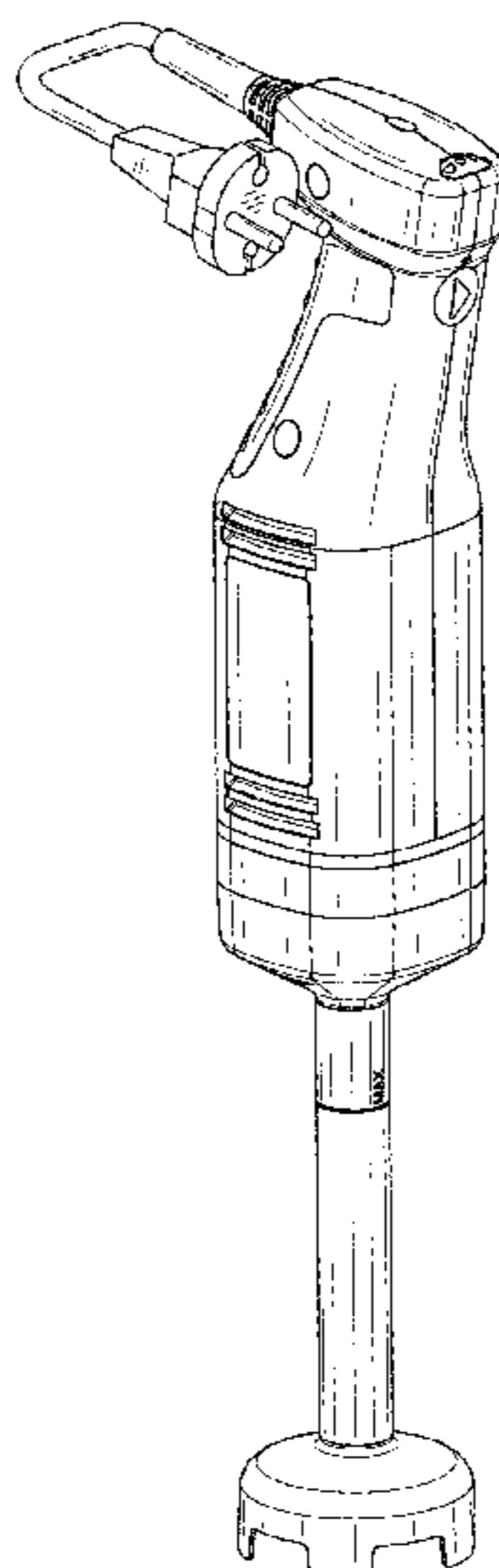
(57) **CLAIM**

The ornamental design for a food mixer, as shown.

**DESCRIPTION**

FIG. 1 is a right perspective view of a food mixer showing our new design;  
FIG. 2 is a left perspective view thereof;  
FIG. 3 is a top view thereof;  
FIG. 4 is a bottom view thereof;  
FIG. 5 is a right side view thereof;  
FIG. 6 is a left side view thereof;  
FIG. 7 is a rear view thereof; and,  
FIG. 8 is a front view thereof.

**1 Claim, 4 Drawing Sheets**



(56)

References Cited

U.S. PATENT DOCUMENTS

D447,380 S \* 9/2001 Feil ..... D7/376  
 D485,729 S \* 1/2004 Patton ..... D7/376  
 D494,410 S \* 8/2004 Stuart ..... D7/379  
 D506,102 S \* 6/2005 Ikegaki ..... D7/376  
 D510,837 S \* 10/2005 Lloyd ..... D7/376  
 D527,582 S \* 9/2006 Wilson ..... D7/368  
 D533,022 S \* 12/2006 Piret ..... D7/379  
 D534,032 S \* 12/2006 Lloyd ..... D7/380  
 7,172,334 B2 \* 2/2007 Chiappetta ..... A47J 43/0711  
 366/129  
 D572,075 S \* 7/2008 Wong ..... D7/376  
 D592,447 S \* 5/2009 Blaise ..... D7/376  
 D644,479 S \* 9/2011 Lownds ..... D7/376  
 D645,306 S \* 9/2011 Lownds ..... D7/376  
 D651,846 S \* 1/2012 Roseby ..... D7/376  
 D659,466 S \* 5/2012 Wheeler ..... D7/395  
 D660,641 S \* 5/2012 Hoare ..... D7/376  
 D667,682 S \* 9/2012 Agren ..... D7/376  
 D668,099 S \* 10/2012 Ferraby ..... D7/376

D681,391 S \* 5/2013 Agren ..... D7/380  
 D695,565 S \* 12/2013 Verbrugge ..... D7/380  
 D695,566 S \* 12/2013 Egger ..... D7/376  
 D700,798 S \* 3/2014 Wu ..... D7/376  
 D724,373 S \* 3/2015 Ji ..... D7/376  
 D724,374 S \* 3/2015 Sanguinetti ..... D7/376  
 D731,236 S \* 6/2015 Yin ..... D7/376  
 D751,858 S \* 3/2016 Zhang ..... D7/378  
 D756,166 S \* 5/2016 Lee ..... D7/376  
 D758,788 S \* 6/2016 Suzuki ..... D7/376  
 2005/0078549 A1 \* 4/2005 Hamelin ..... A47J 43/0711  
 366/129  
 2006/0291325 A1 \* 12/2006 Garcia ..... A47J 43/0755  
 366/129  
 2007/0054744 A1 \* 3/2007 Garcia ..... A47J 43/0755  
 464/160

FOREIGN PATENT DOCUMENTS

EP 2116162 A1 \* 11/2009 ..... A47J 43/07  
 KR 20110002028 U \* 3/2011

\* cited by examiner

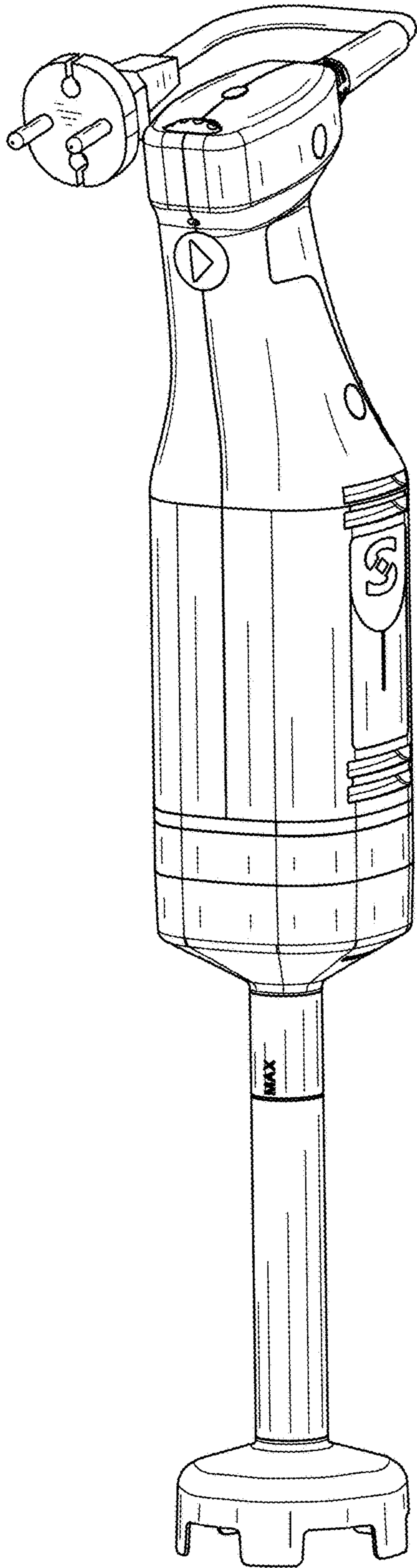


FIG. 1

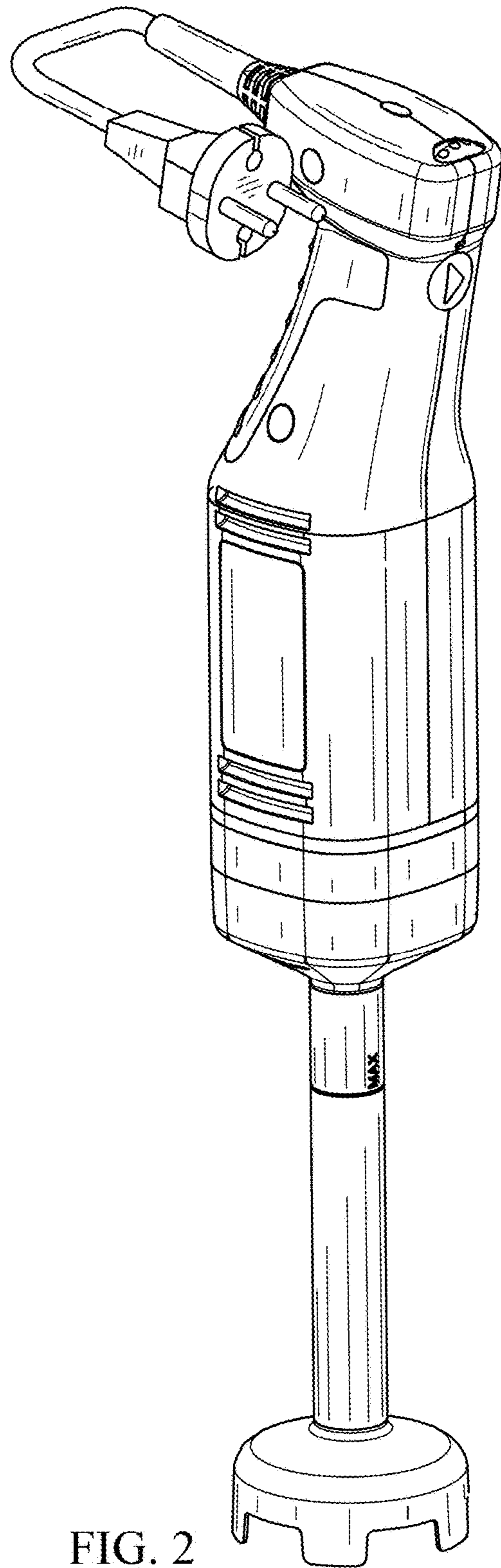


FIG. 2

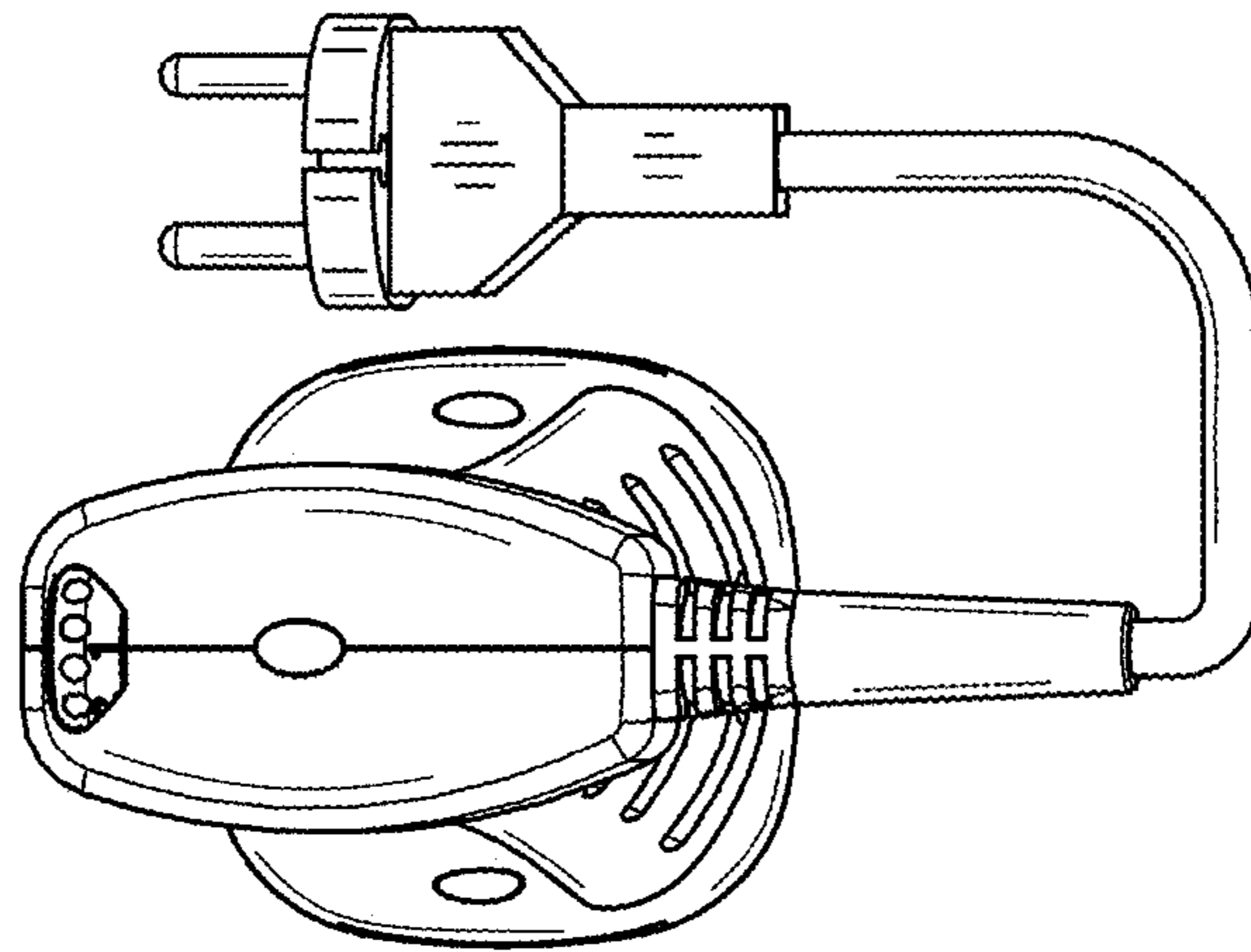


FIG. 3

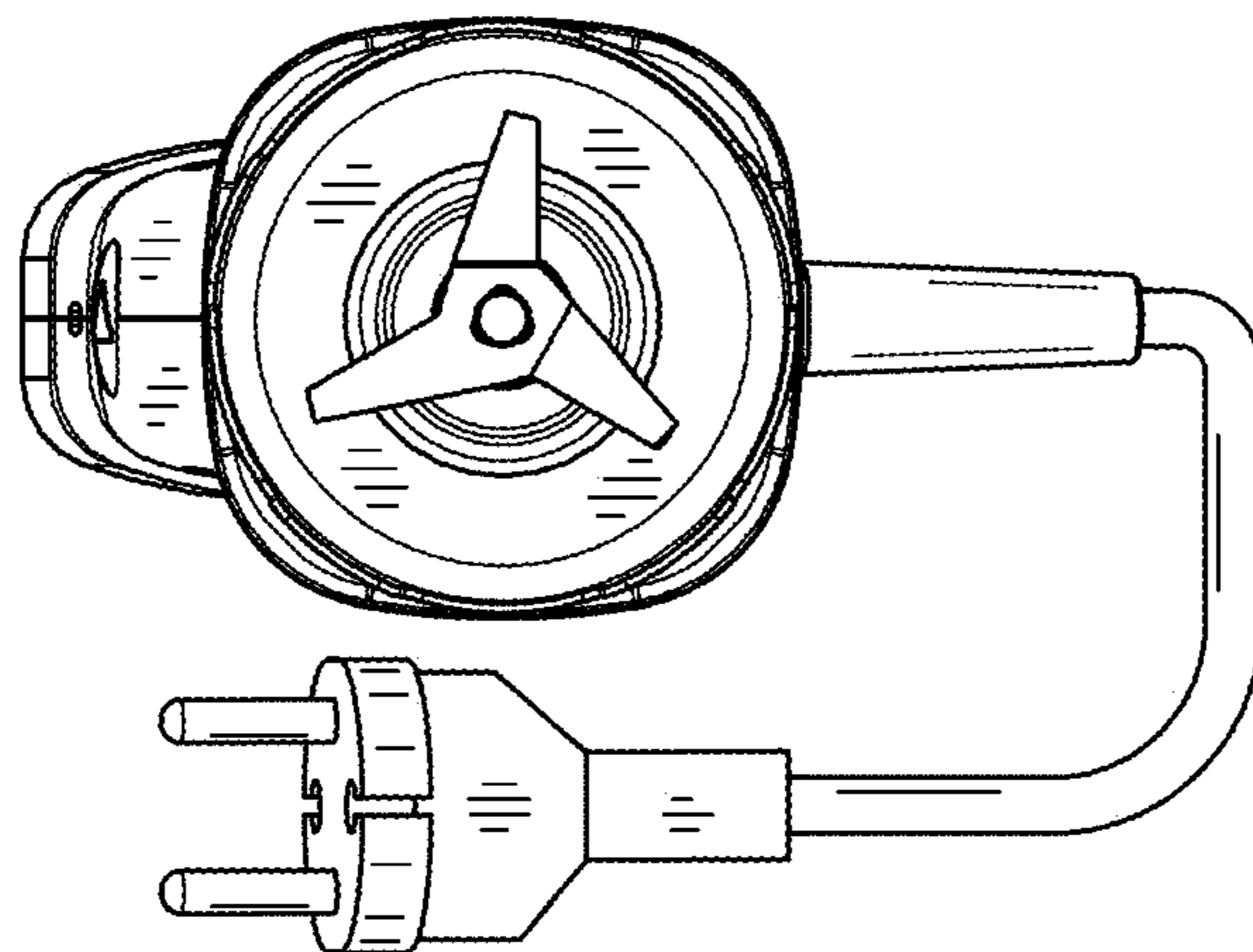


FIG. 4



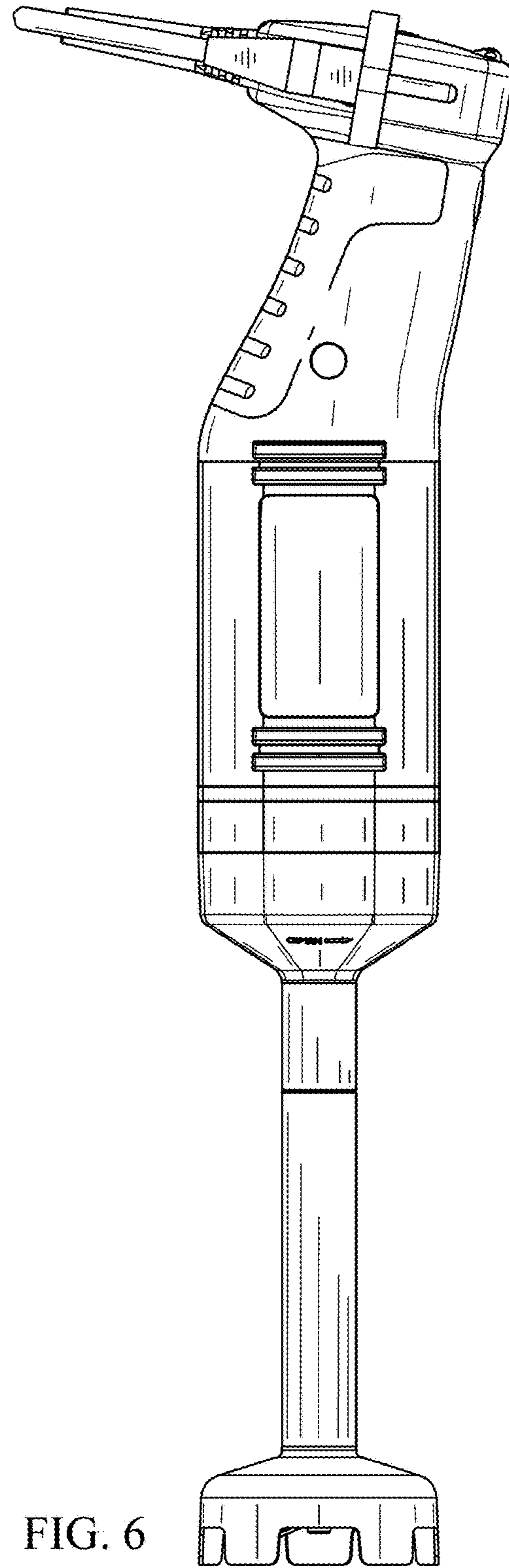
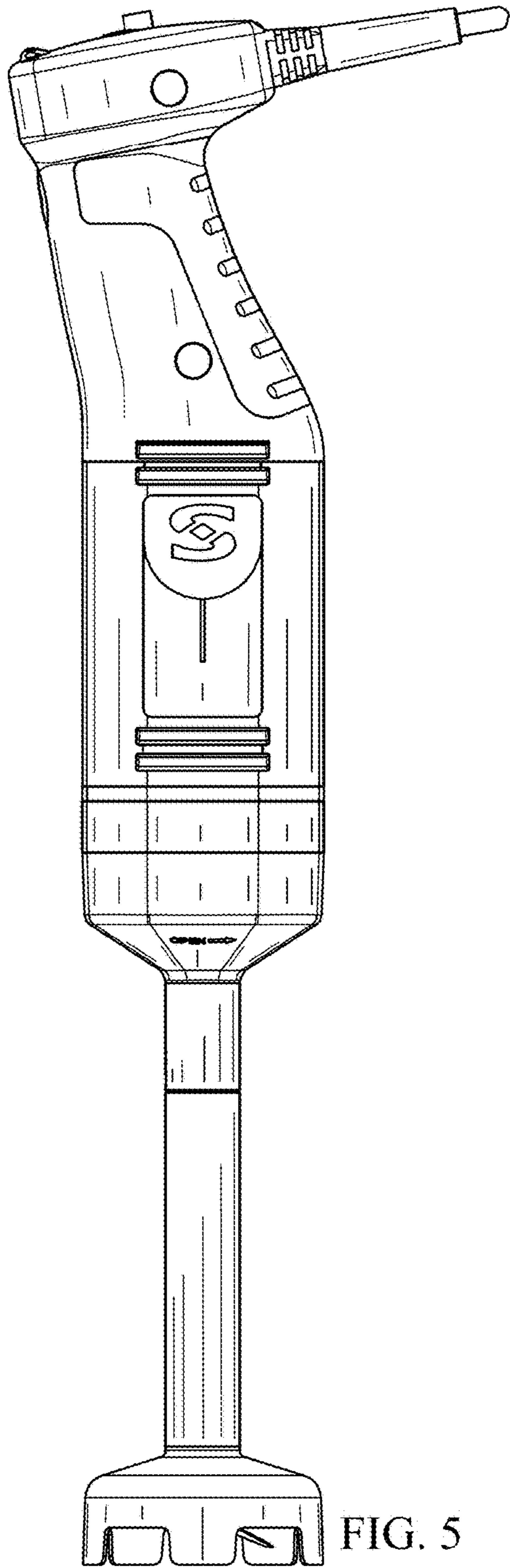


FIG. 5

FIG. 6

