



US00D809330S

(12) **United States Design Patent** (10) **Patent No.:** **US D809,330 S**
Liu (45) **Date of Patent:** **** Feb. 6, 2018**

(54) **GRINDER HOUSING**

(71) Applicant: **TSANN KUEN (ZHANGZHOU) ENTERPRISE CO., LTD**, Fujian (CN)

(72) Inventor: **Chun-cheng Liu**, Taipei (TW)

(73) Assignee: **Tsann Kuen (Zhangzhou) Enterprise Co., Ltd.**, Zhangzhou (CN)

(**) Term: **15 Years**

(21) Appl. No.: **29/557,365**

(22) Filed: **Mar. 8, 2016**

(30) **Foreign Application Priority Data**

Sep. 18, 2015 (CN) 2015 3 0362772

(51) **LOC (11) Cl.** **31-00**

(52) **U.S. Cl.**
USPC **D7/373; D7/372; D7/379**

(58) **Field of Classification Search**
USPC D7/372-373, 376-386, 412-413, 602, D7/629, 665-666, 669, 679, 693-694
CPC A21C 1/02; A21C 1/04; A23N 1/00; A23N 1/02; A47J 42/38; A47J 43/04; A47J 43/25; A47J 43/27; A47J 43/042; A47J 43/044; A47J 43/046; A47J 43/075; A47J 43/0716; A47J 43/0722; A47J 43/0727; B01F 3/00; B01F 3/0807; B01F 3/0853; B01F 13/0059; B01F 13/0064; B02C 1/08; B02C 2/04; B02C 4/42; B02C 4/142; B02C 4/143; B02C 4/423; B02C 13/1835; B02C 25/00; B28C 5/10; B28C 5/12; B28C 5/14; B28C 5/16

See application file for complete search history.

(56) **References Cited**

U.S. PATENT DOCUMENTS

D47,660 S *	7/1915	Wear et al.	D7/373
2,662,753 A *	12/1953	Schwarz	A47J 43/044
			188/82.7
D483,221 S *	12/2003	Ledingham	D7/373
D530,146 S *	10/2006	Ball	D7/379
D584,916 S *	1/2009	Christou	D7/376
D613,549 S *	4/2010	Picozza	D7/376
D677,520 S *	3/2013	Choi	D7/376
8,438,971 B1 *	5/2013	Thurley	A47J 43/044
			366/146
D753,434 S *	4/2016	Bazzicalupo	D7/376
D796,254 S *	9/2017	Thomas	D7/376
2017/0138782 A1 *	5/2017	Beber	A47J 42/38

* cited by examiner

Primary Examiner — Ricky Pham
 (74) *Attorney, Agent, or Firm* — Wang Law Firm, Inc.

(57) **CLAIM**

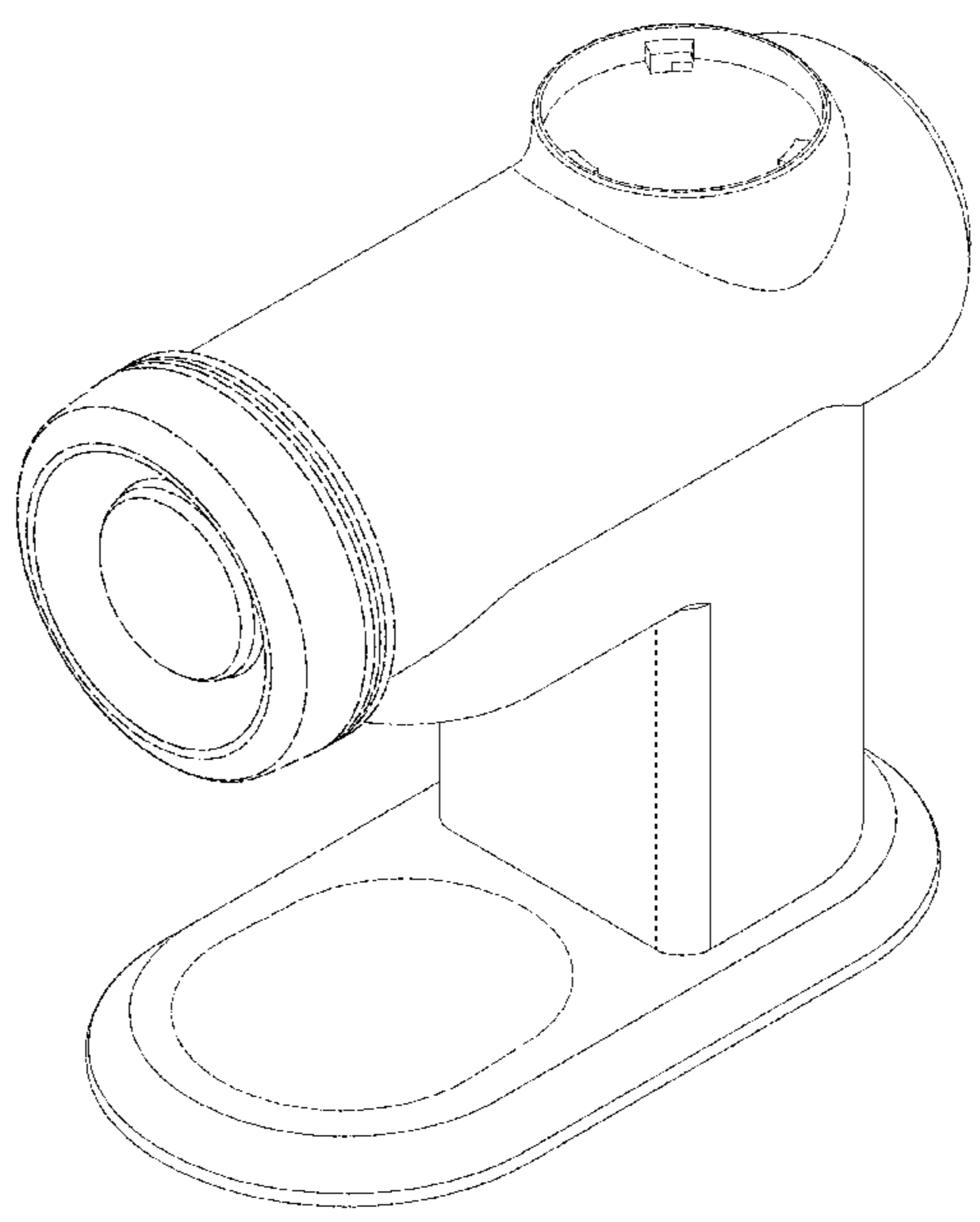
The ornamental design for a grinder housing, as shown and described.

DESCRIPTION

FIG. 1 is a front view of a grinder housing showing my new design;
 FIG. 2 is a rear view thereof;
 FIG. 3 is a left side view thereof;
 FIG. 4 is a right side view thereof;
 FIG. 5 is a top plan view thereof;
 FIG. 6 is a bottom plan view thereof; and,
 FIG. 7 is a perspective view thereof.

The broken lines showing in Figures are for illustrative purposes only and form no part of the claimed design.

1 Claim, 7 Drawing Sheets



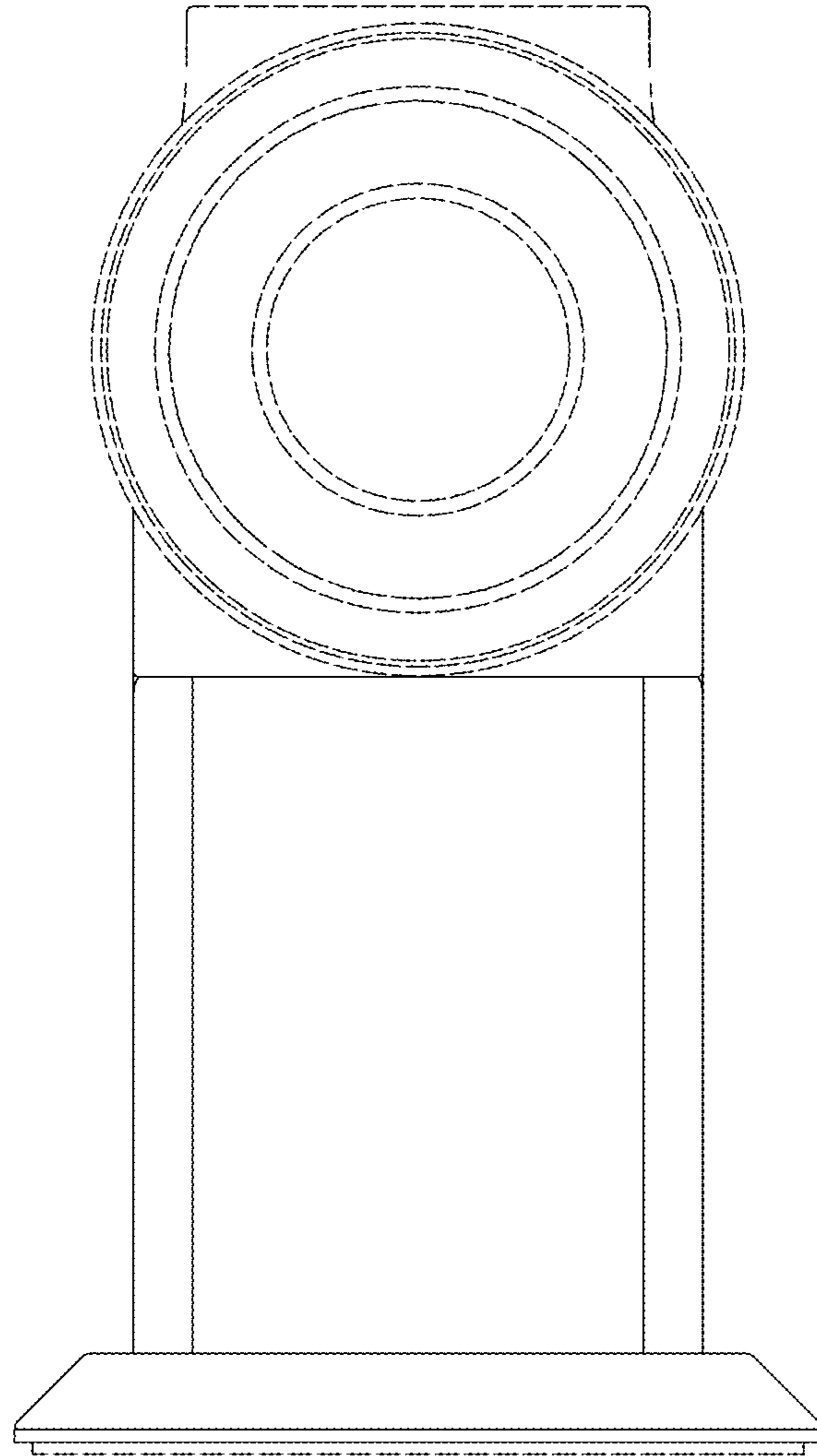


FIG. 1

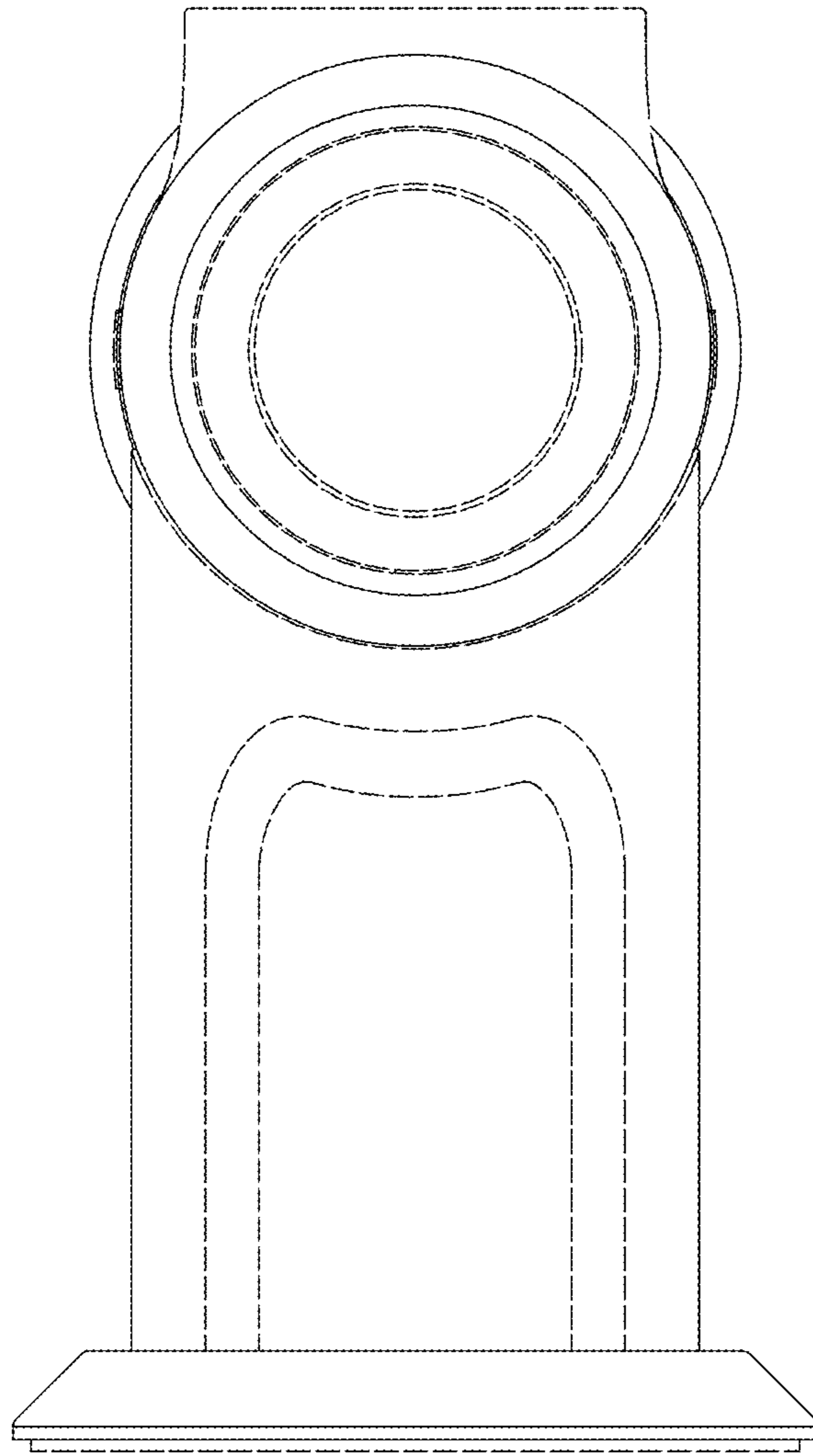


FIG. 2

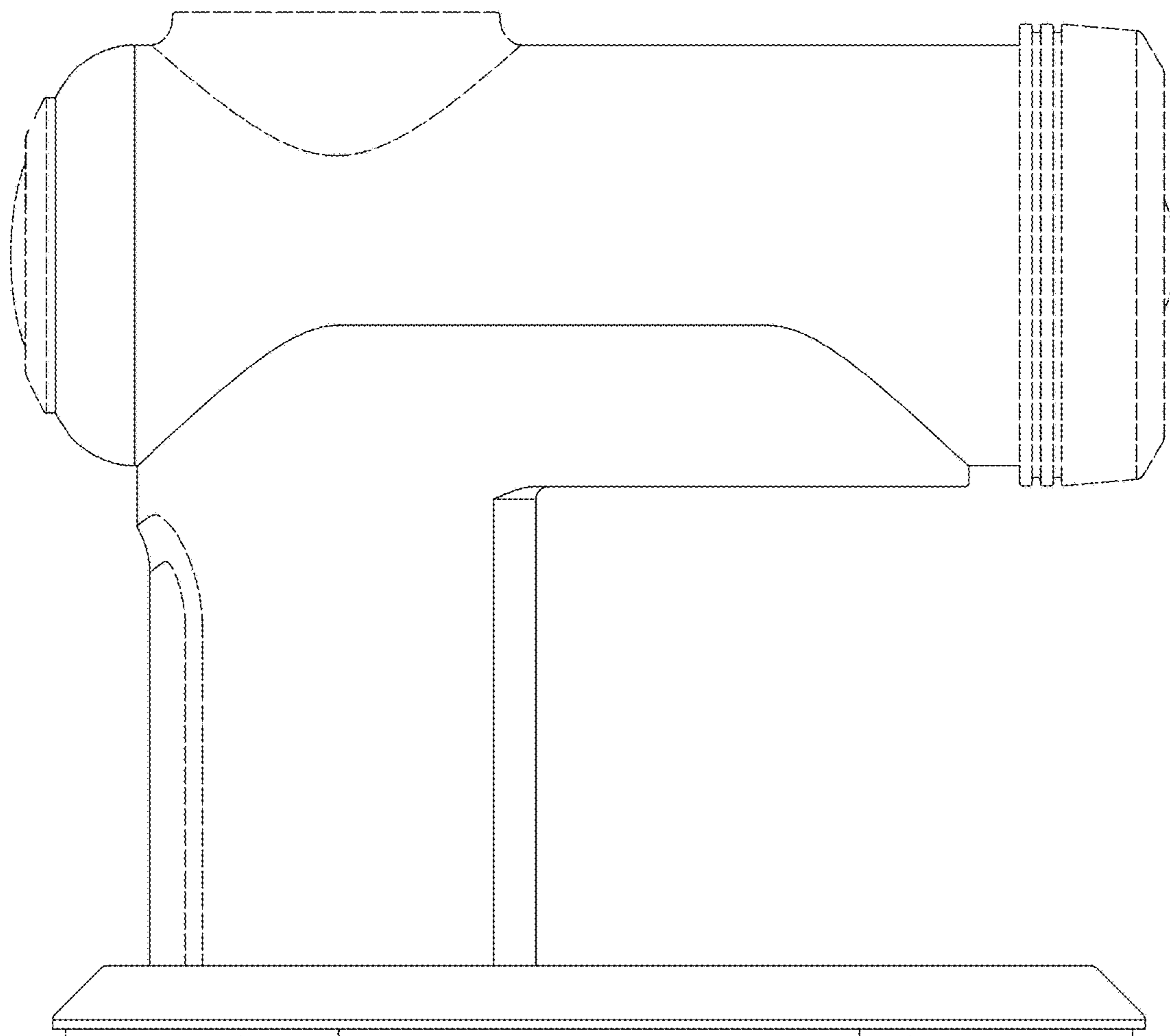


FIG. 3

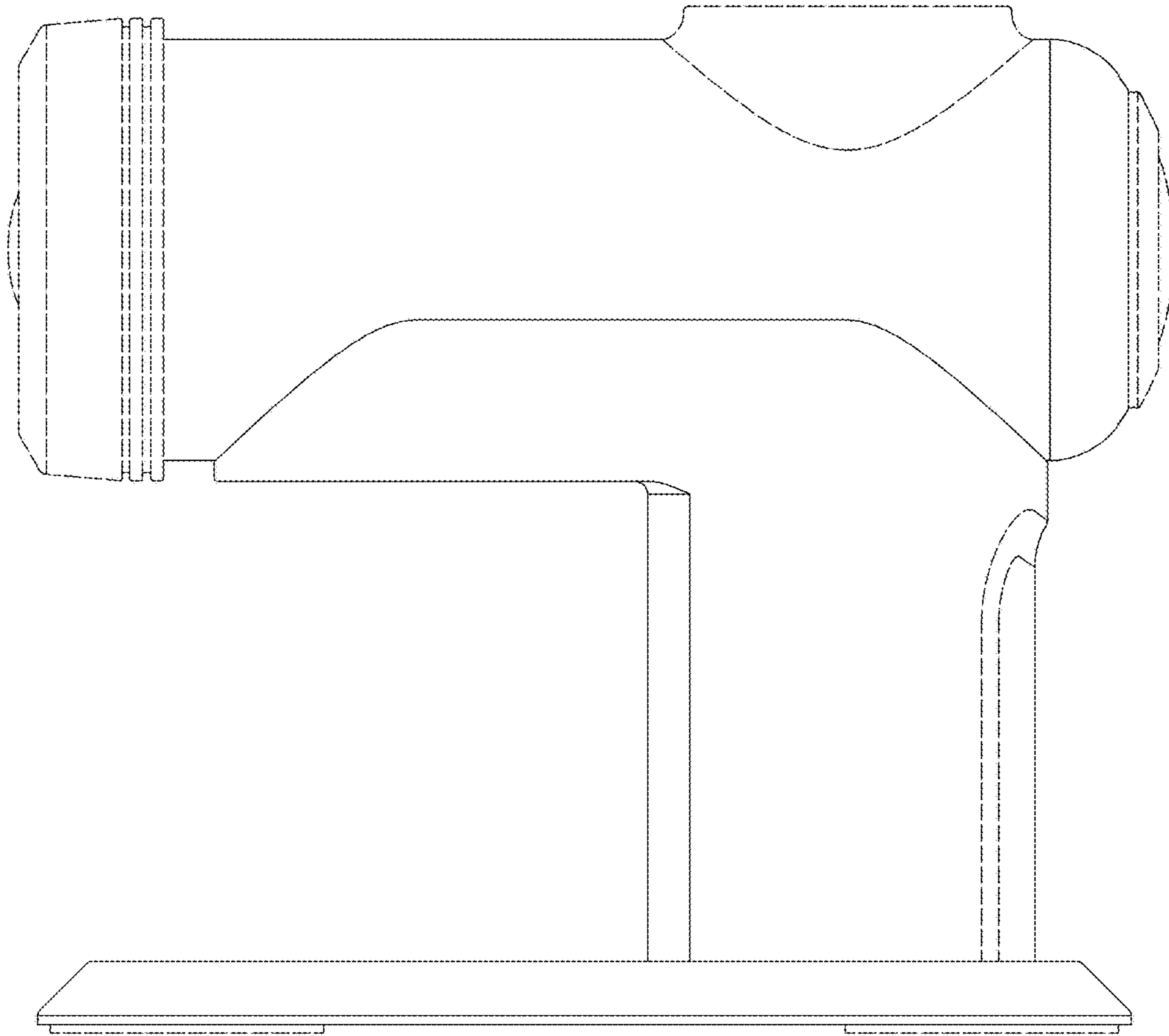


FIG. 4

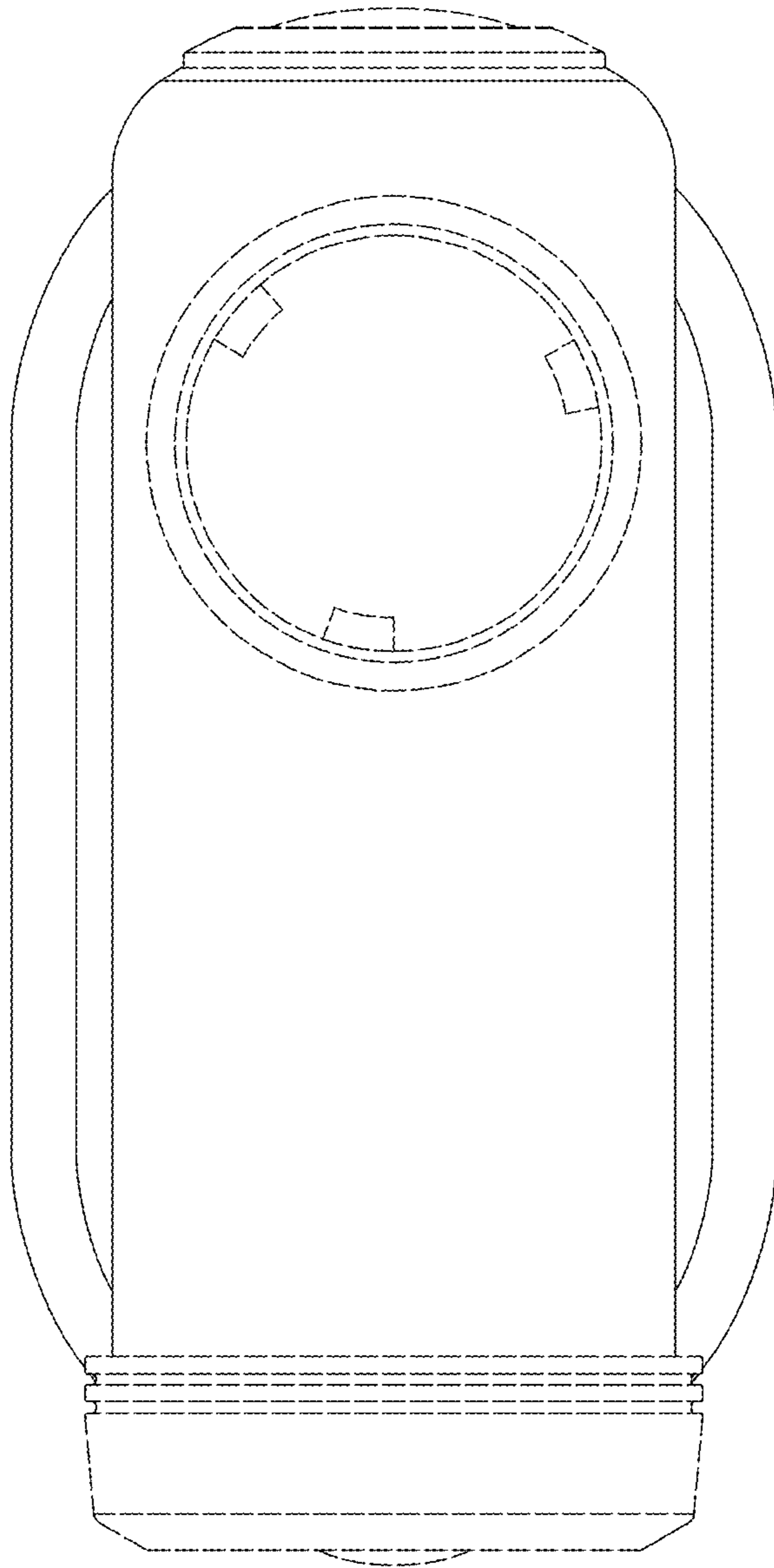


FIG. 5

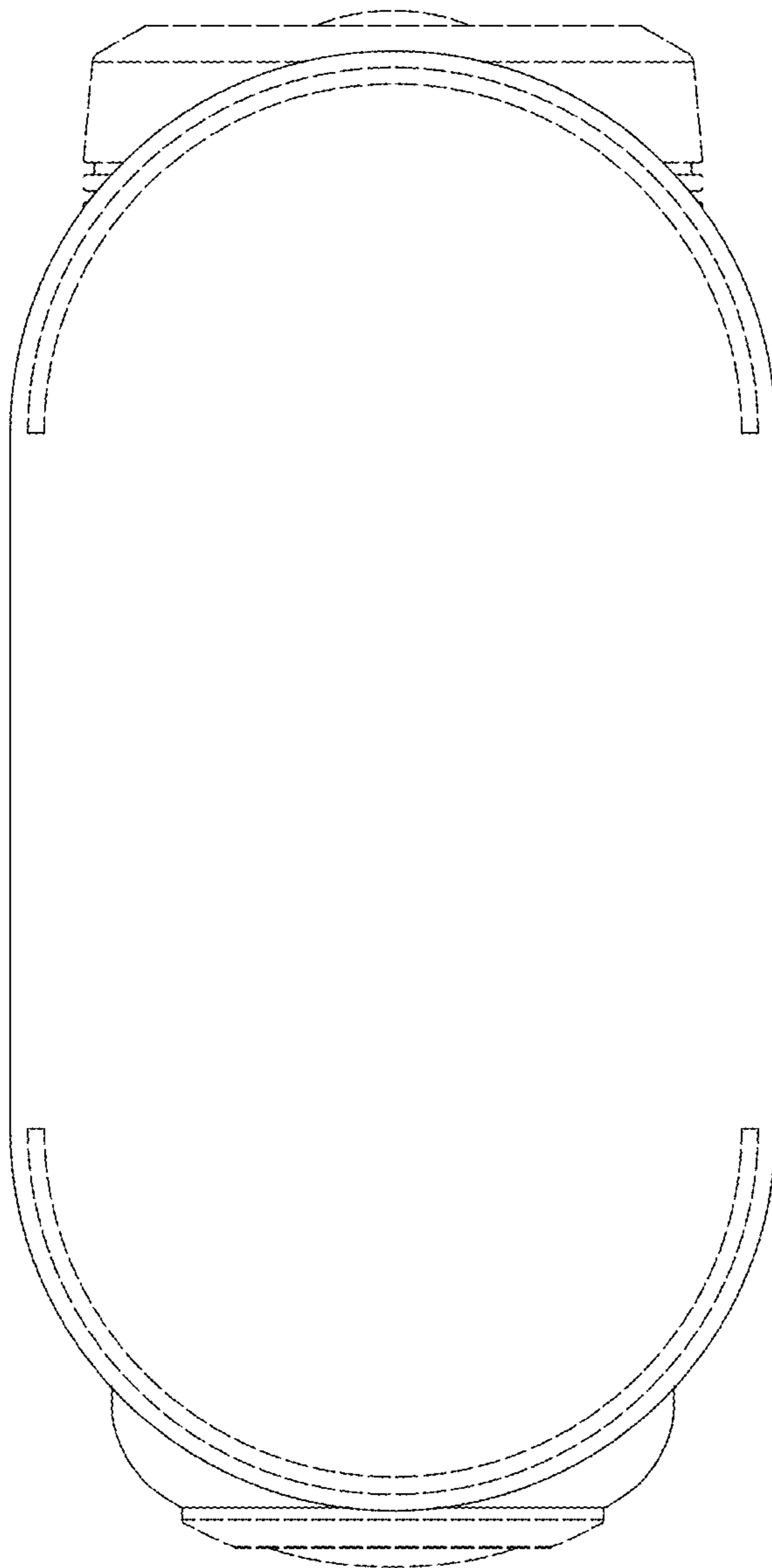


FIG. 6

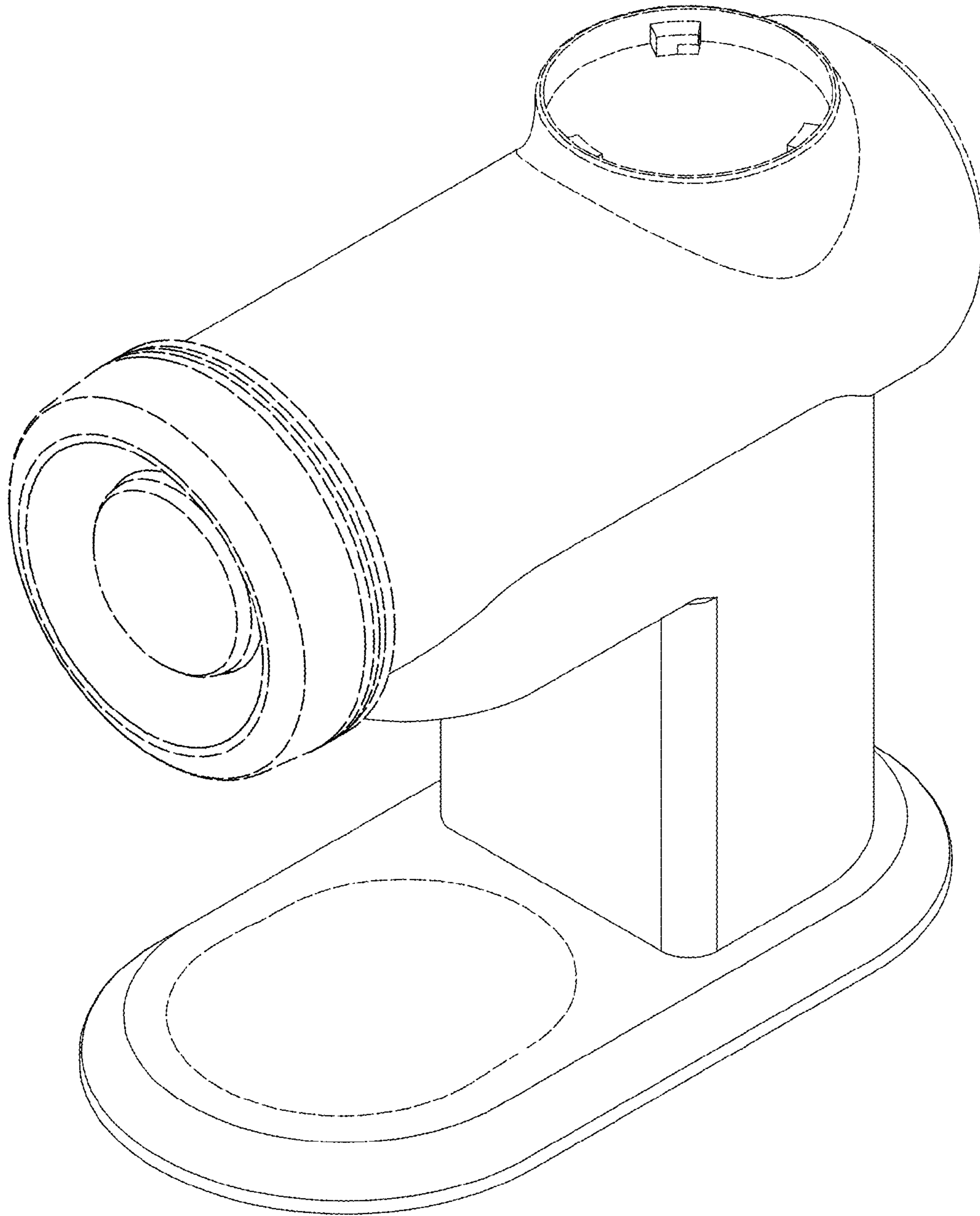


FIG. 7