



US00D809329S

(12) **United States Design Patent**  
**Rodriguez**

(10) **Patent No.:** **US D809,329 S**  
(45) **Date of Patent:** **\*\* Feb. 6, 2018**

(54) **COOKING TENDERIZER**  
(71) Applicant: **Emilio Alatorre Rodriguez**, Hemet,  
CA (US)  
(72) Inventor: **Emilio Alatorre Rodriguez**, Hemet,  
CA (US)  
(\*\*) Term: **15 Years**

2,940,380 A \* 6/1960 Rampel ..... A47J 37/047  
219/389  
3,213,634 A \* 10/1965 Granata ..... A23B 4/062  
426/524  
3,765,189 A \* 10/1973 Le Diouron ..... A23G 9/18  
165/91  
4,120,981 A \* 10/1978 Burkhart ..... A47J 27/004  
426/231  
4,528,819 A \* 7/1985 Klee ..... F25D 3/11  
236/49.3

(Continued)

(21) Appl. No.: **29/566,687**

(22) Filed: **Jun. 1, 2016**

(51) **LOC (11) Cl.** ..... **07-02**

(52) **U.S. Cl.**  
USPC ..... **D7/338**

(58) **Field of Classification Search**  
USPC ..... D7/323, 330, 334-349, 350.1, 352,  
D7/359-360, 362, 367, 390, 402-406;  
D21/523-525  
CPC . A21B 5/023; A47J 37/00; A47J 37/04; A47J  
37/06; A47J 37/047; A47J 37/067; A47J  
37/0605; A47J 37/0611; A47J 37/0623;  
A47J 37/0629; A47J 37/0676; F24C  
15/10; F24C 15/102; H05H 6/02; H05B  
6/062

See application file for complete search history.

(56) **References Cited**

U.S. PATENT DOCUMENTS

54,075 A \* 4/1866 Bocchino ..... C22B 11/10  
209/188  
D54,075 S 11/1919 Froehlich  
1,741,400 A \* 12/1929 Bocchino ..... A47J 37/041  
452/185  
D87,997 S \* 10/1932 Kelly ..... D7/338  
1,880,822 A \* 10/1932 Cook ..... A23N 12/10  
118/418  
1,980,920 A \* 11/1934 Kelly ..... A47J 37/047  
219/389  
2,426,368 A \* 8/1947 Mayne ..... A23G 9/16  
62/268  
D176,294 S \* 12/1955 Webster ..... 126/214 C

FOREIGN PATENT DOCUMENTS

CA 2760069 A1 \* 11/2010 ..... A47J 37/043  
EP 0072263 A3 \* 5/1985 ..... A23B 7/06

(Continued)

*Primary Examiner* — Caron D Veynar  
*Assistant Examiner* — Mehri F Bajoul  
(74) *Attorney, Agent, or Firm* — Kirk A. Buhler; Buhler  
& Associates

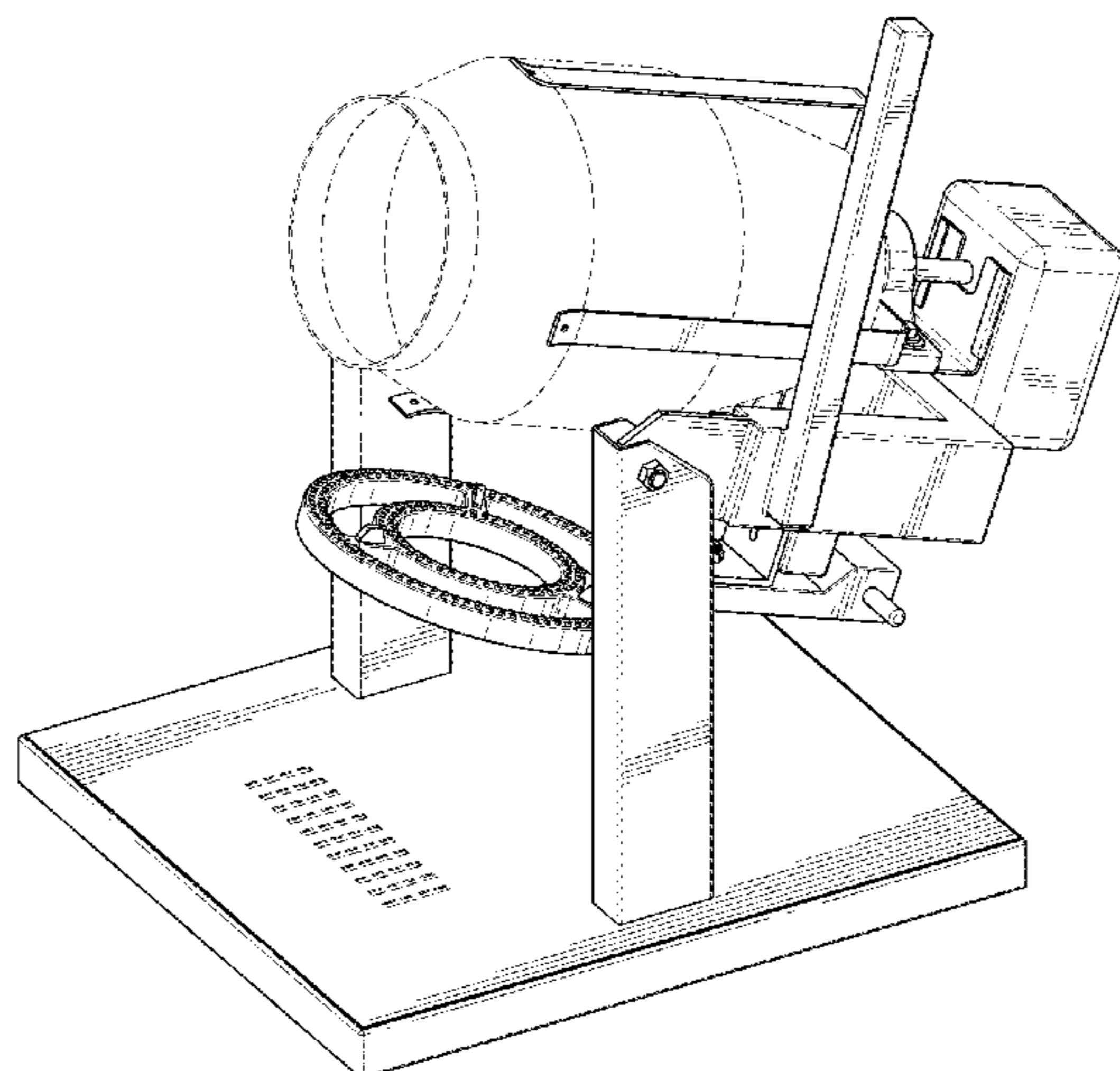
(57) **CLAIM**

The ornamental design for a cooking tenderizer, as shown  
and described.

**DESCRIPTION**

FIG. 1 is a top front left view for a cooking tenderizer shown  
in an environment of use showing my new design;  
FIG. 2 is a top front left view shown in an environment of  
use thereof;  
FIG. 3 is a top front left view thereof;  
FIG. 4 is a left side view thereof;  
FIG. 5 is a right side view thereof;  
FIG. 6 is a front side view thereof;  
FIG. 7 is a back side view thereof;  
FIG. 8 is a top side view thereof; and,  
FIG. 9 is a bottom side view thereof.  
The evenly dashed broken lines show portions of the cook-  
ing tenderizer form no part of the claimed design.

**1 Claim, 8 Drawing Sheets**



(56)

**References Cited**

U.S. PATENT DOCUMENTS

5,201,265 A \* 4/1993 Matsui ..... A23G 3/26  
 366/105  
 5,230,221 A \* 7/1993 Delich ..... A23B 4/08  
 62/100  
 5,632,098 A \* 5/1997 Finch ..... A23N 12/10  
 34/63  
 5,799,569 A \* 9/1998 Moreth ..... A47J 37/042  
 99/419  
 6,079,322 A \* 6/2000 Su ..... A47J 37/042  
 99/419  
 6,234,065 B1 \* 5/2001 Su ..... A47J 27/14  
 99/339  
 6,257,128 B1 \* 7/2001 Chen ..... A47J 37/041  
 99/419  
 6,450,087 B2 \* 9/2002 Backus ..... A47J 37/041  
 99/421 H  
 D564,825 S 3/2008 Chan  
 D577,945 S \* 10/2008 Traeger ..... D7/334  
 9,003,961 B2 \* 4/2015 Snow ..... A47J 37/041  
 126/25 A  
 2004/0079239 A1 \* 4/2004 Chen ..... A47J 37/042  
 99/419  
 2009/0130277 A1 \* 5/2009 Bressner ..... A23N 12/08  
 426/466  
 2010/0064901 A1 \* 3/2010 Clothier ..... A47J 36/02  
 99/331

FOREIGN PATENT DOCUMENTS

FR 2618981 A1 \* 2/1989 ..... A23B 7/0053  
 WO WO 03096853 A1 \* 11/2003 ..... A23N 12/10  
 WO WO 2004075639 A1 \* 9/2004 ..... A22C 25/00

\* cited by examiner

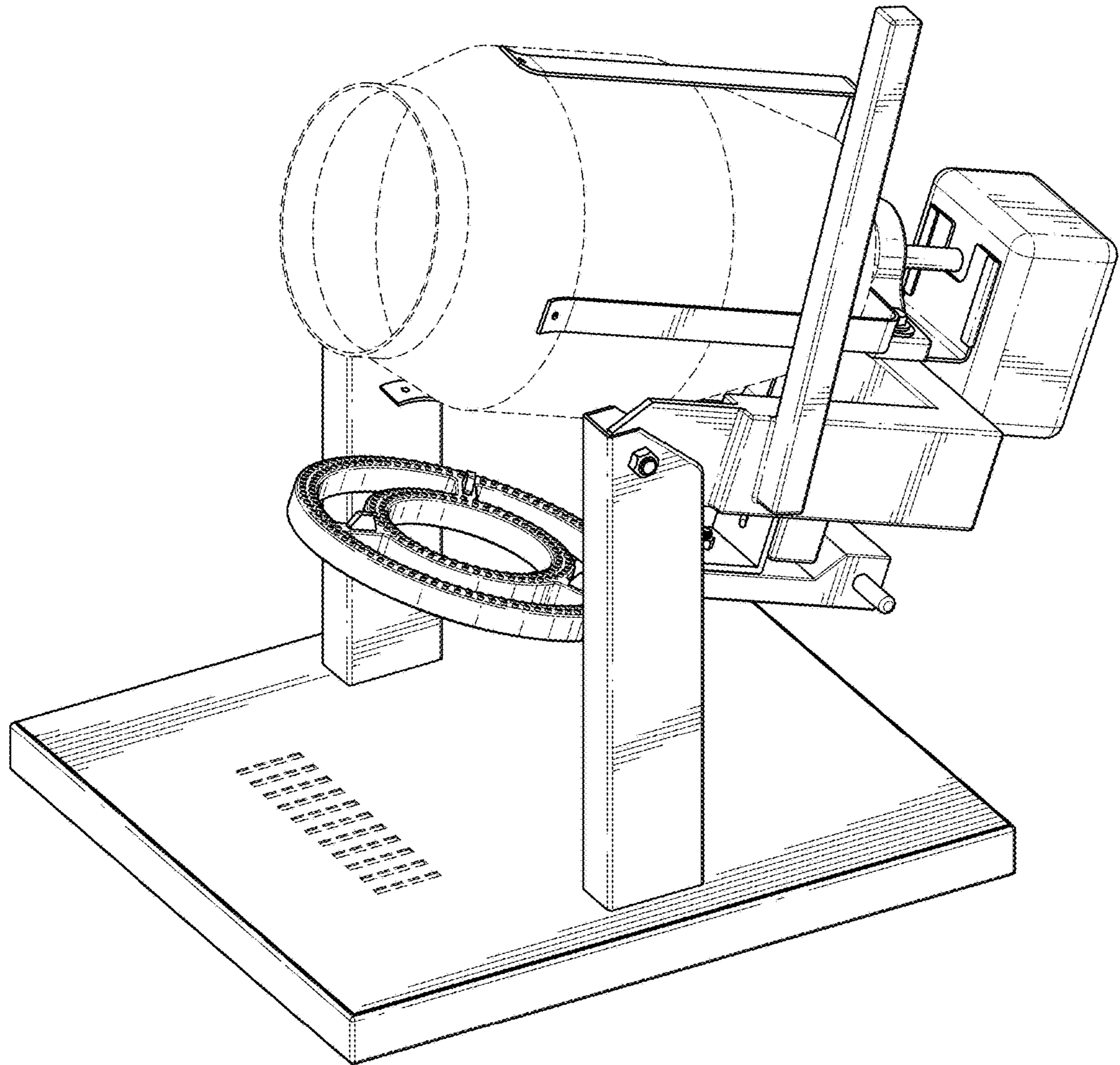


FIG. 1

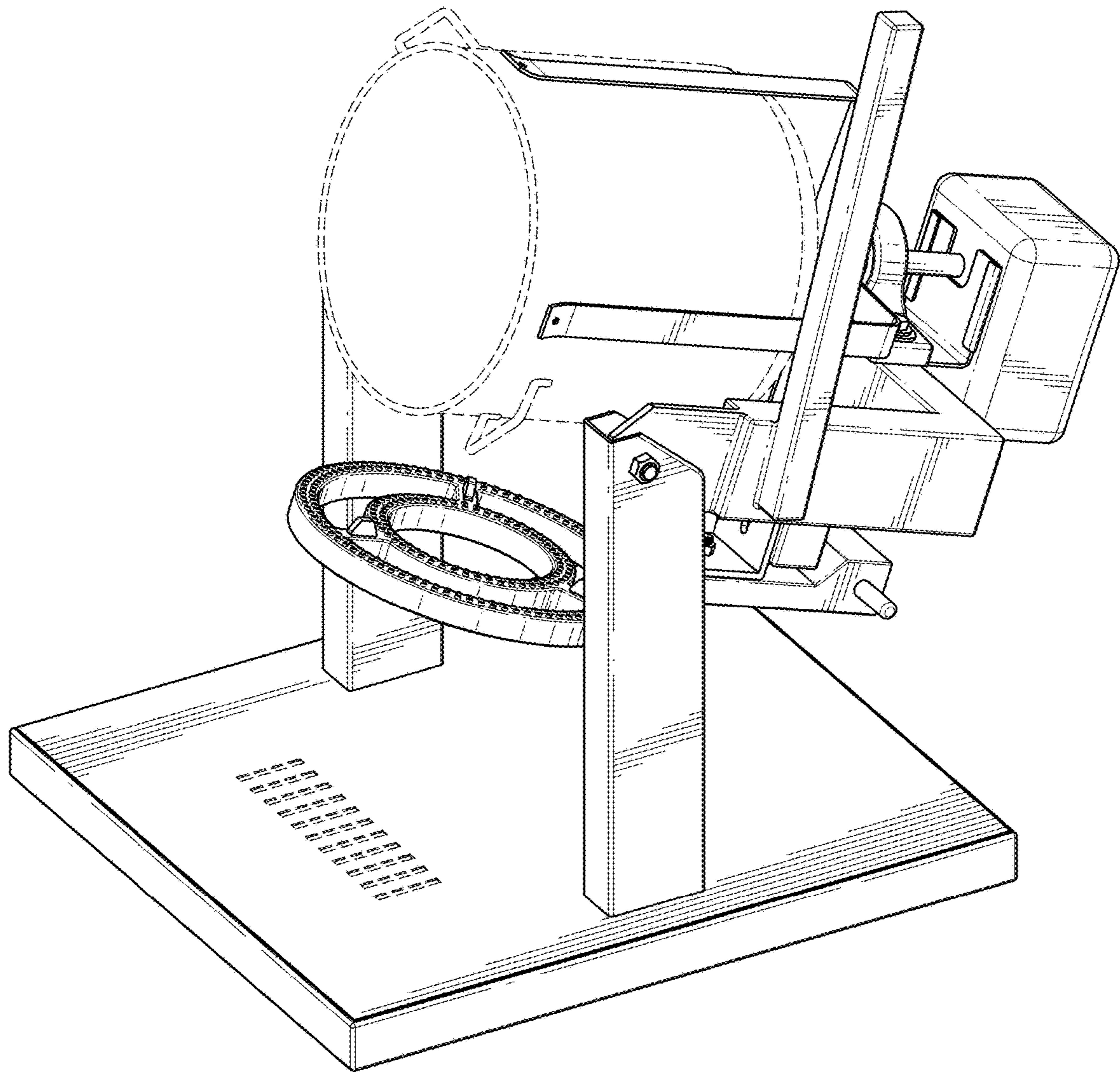


FIG. 2

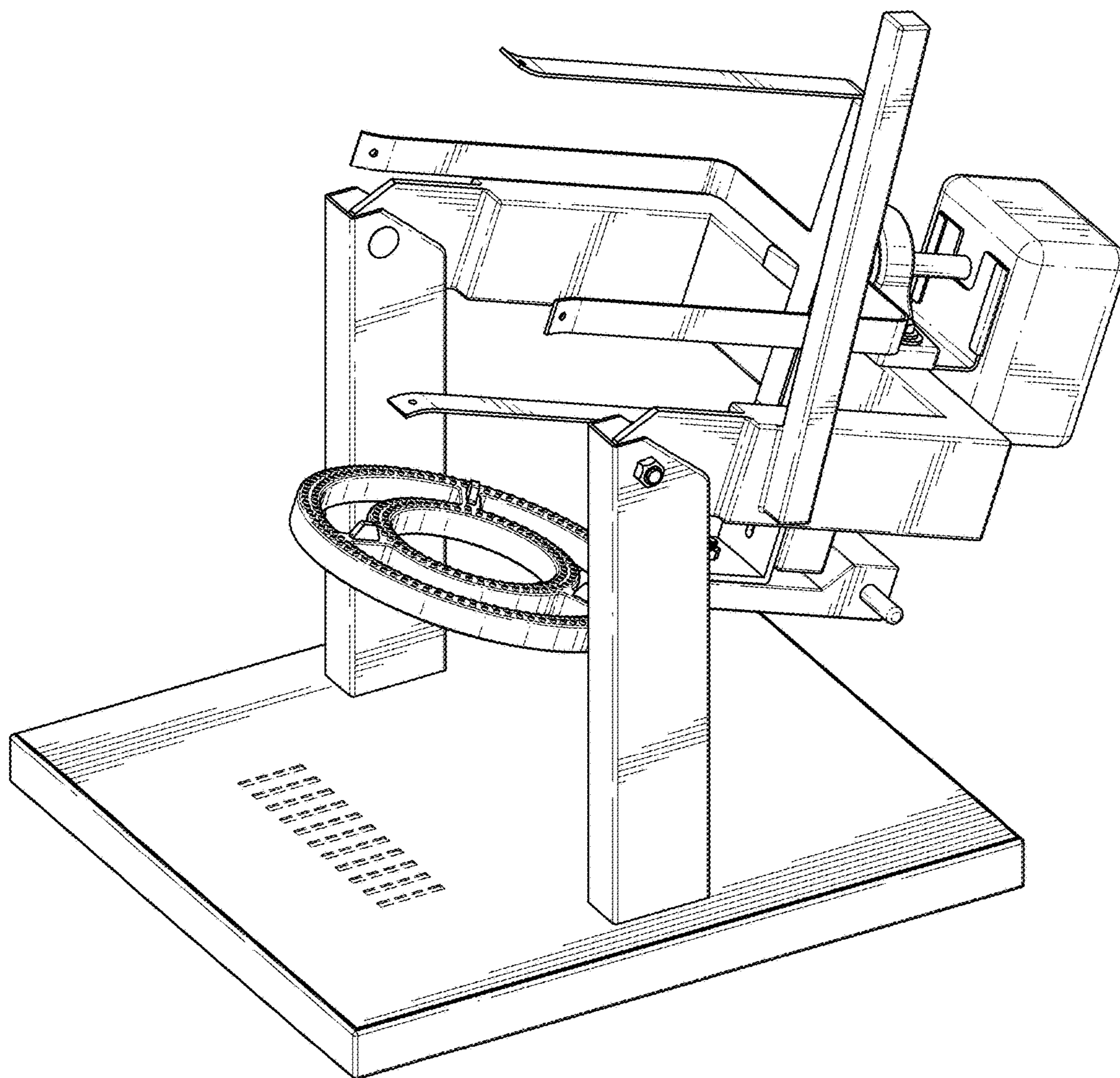


FIG. 3

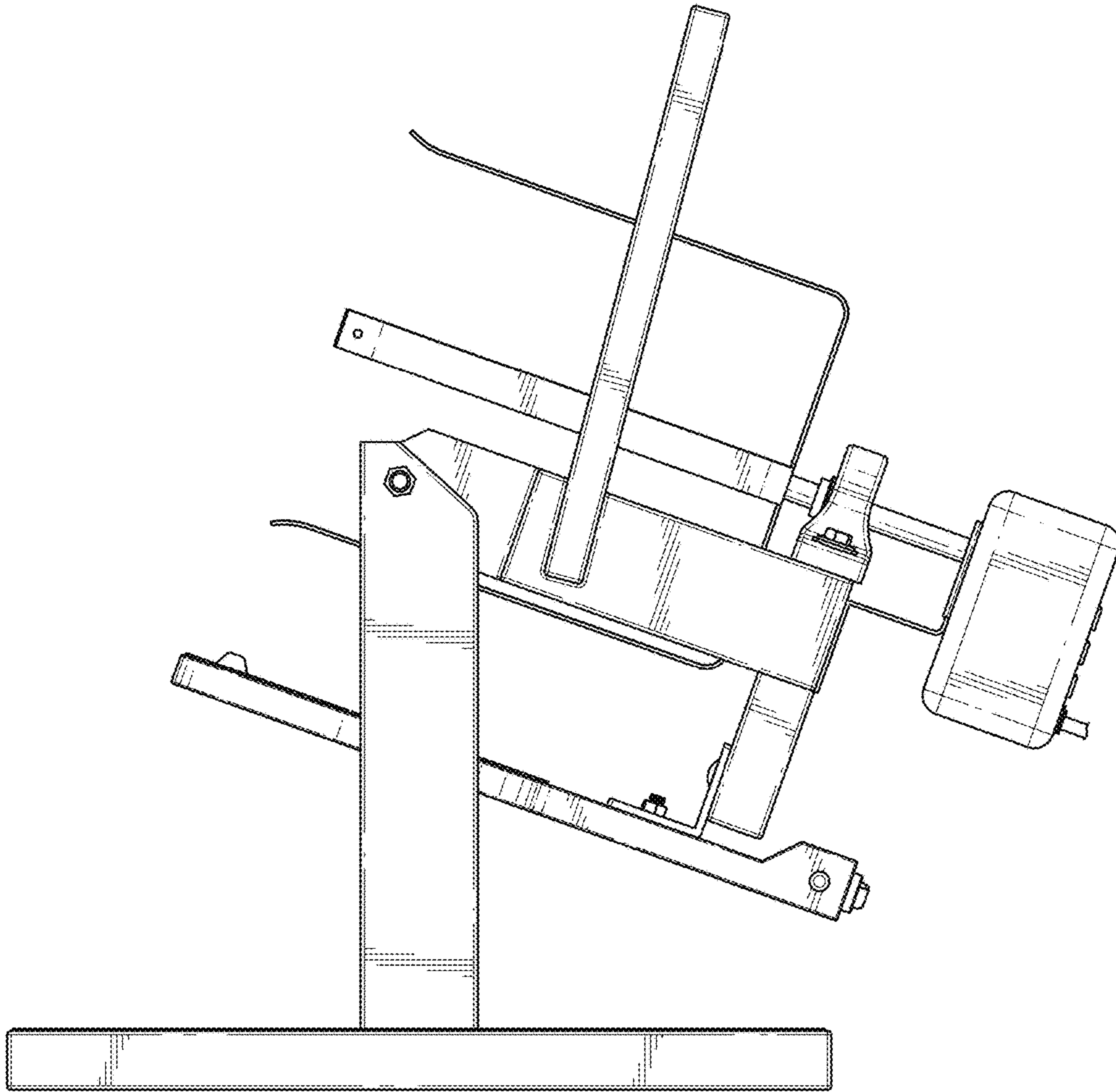


FIG. 4

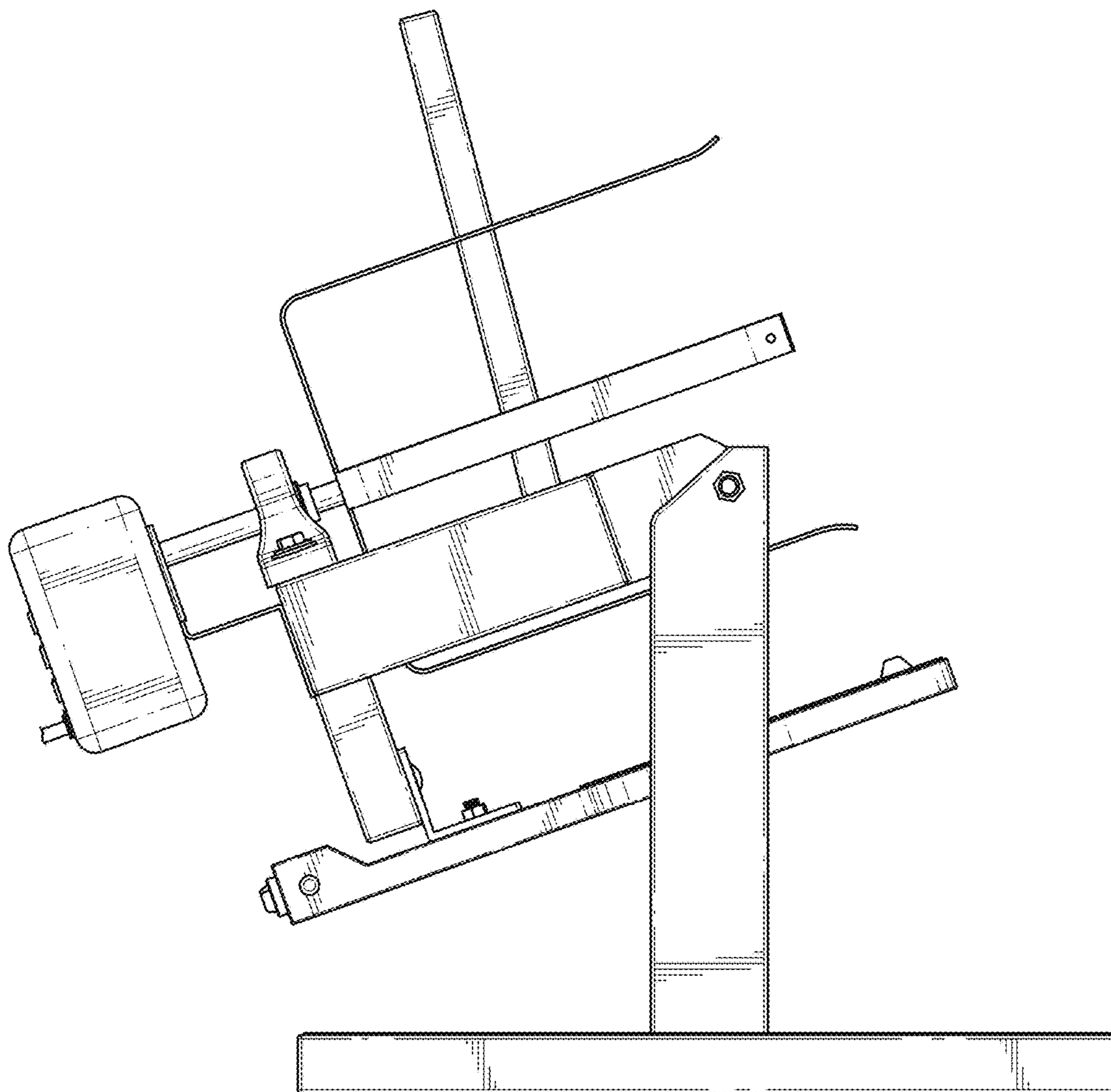


FIG. 5

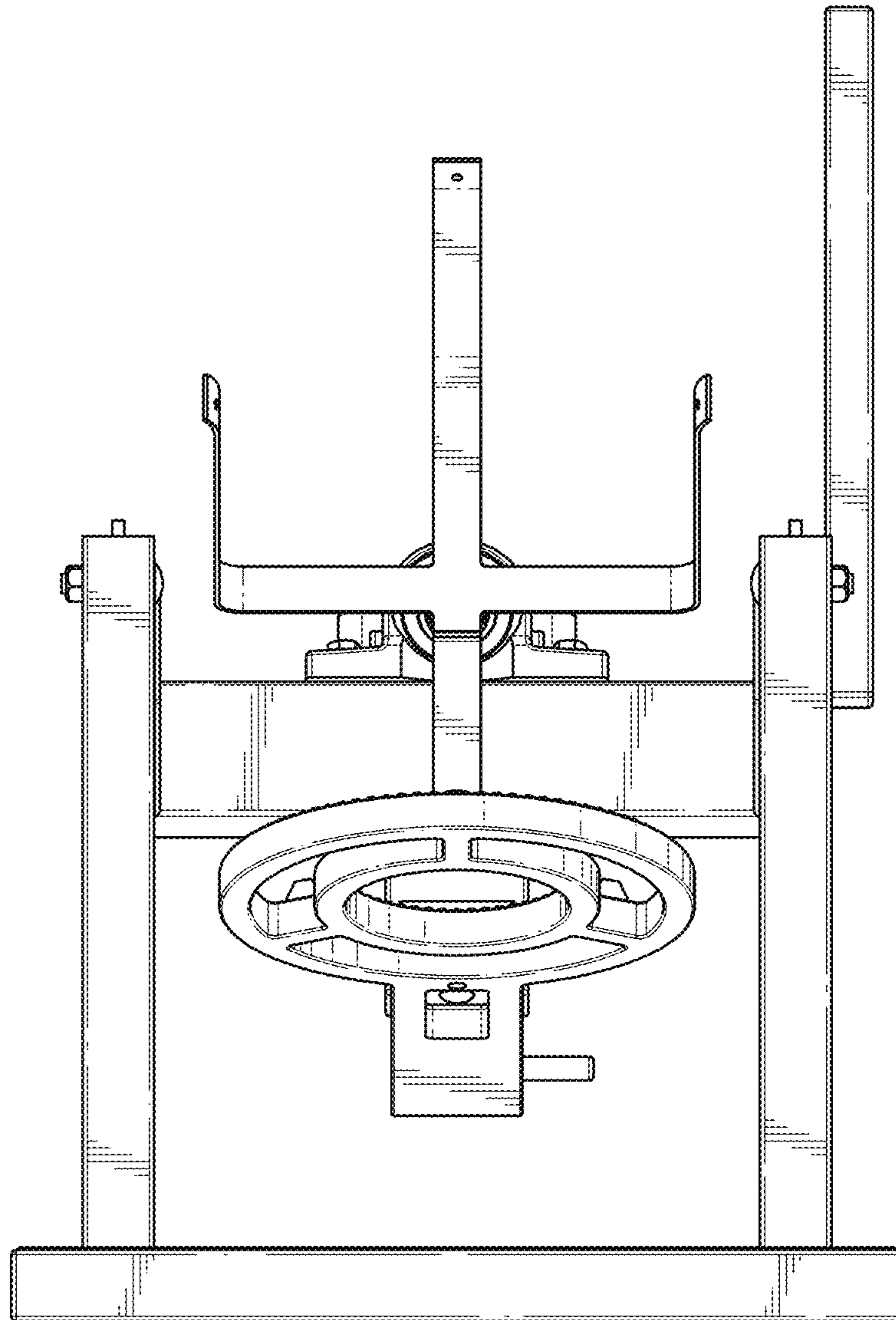


FIG. 6



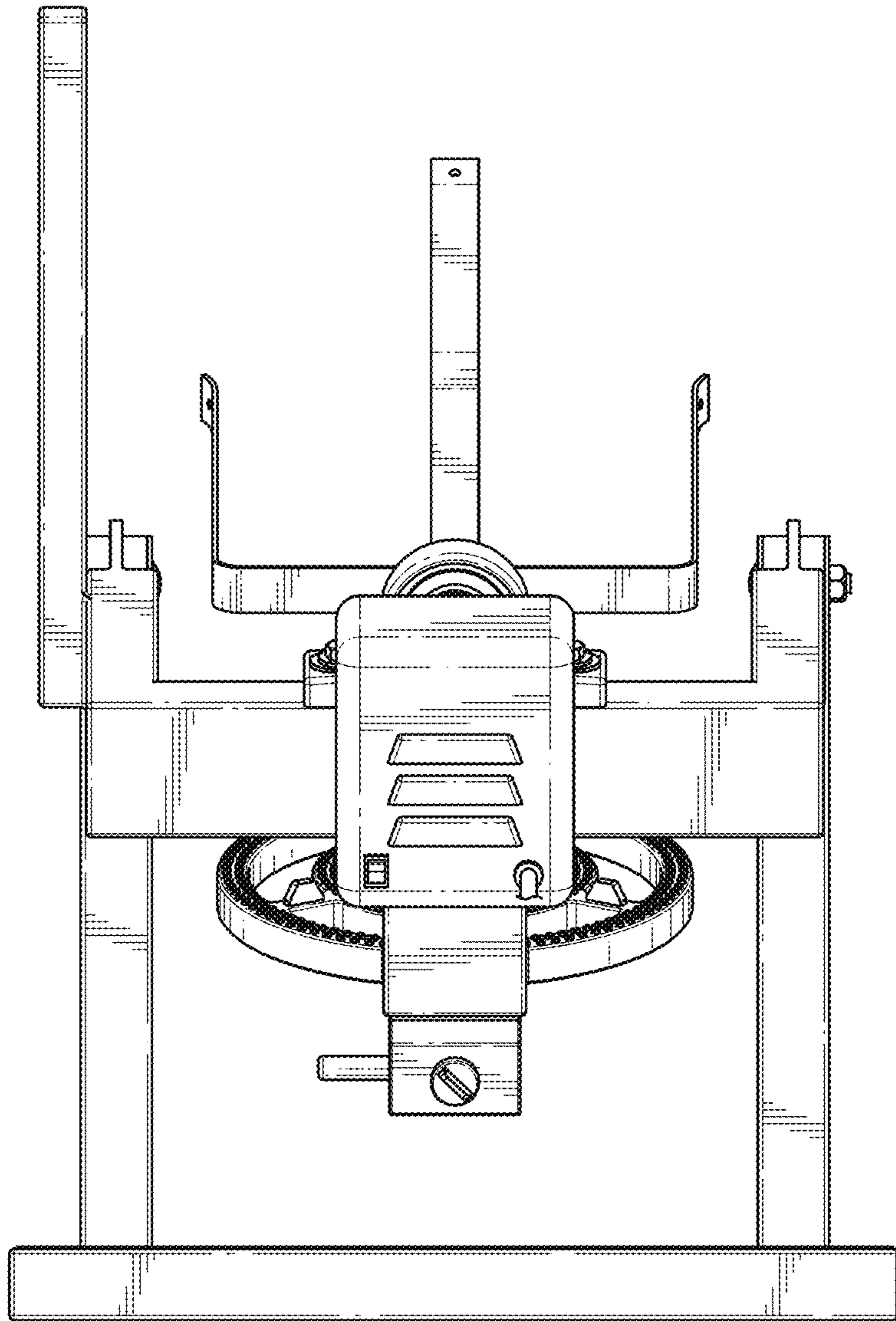


FIG. 7

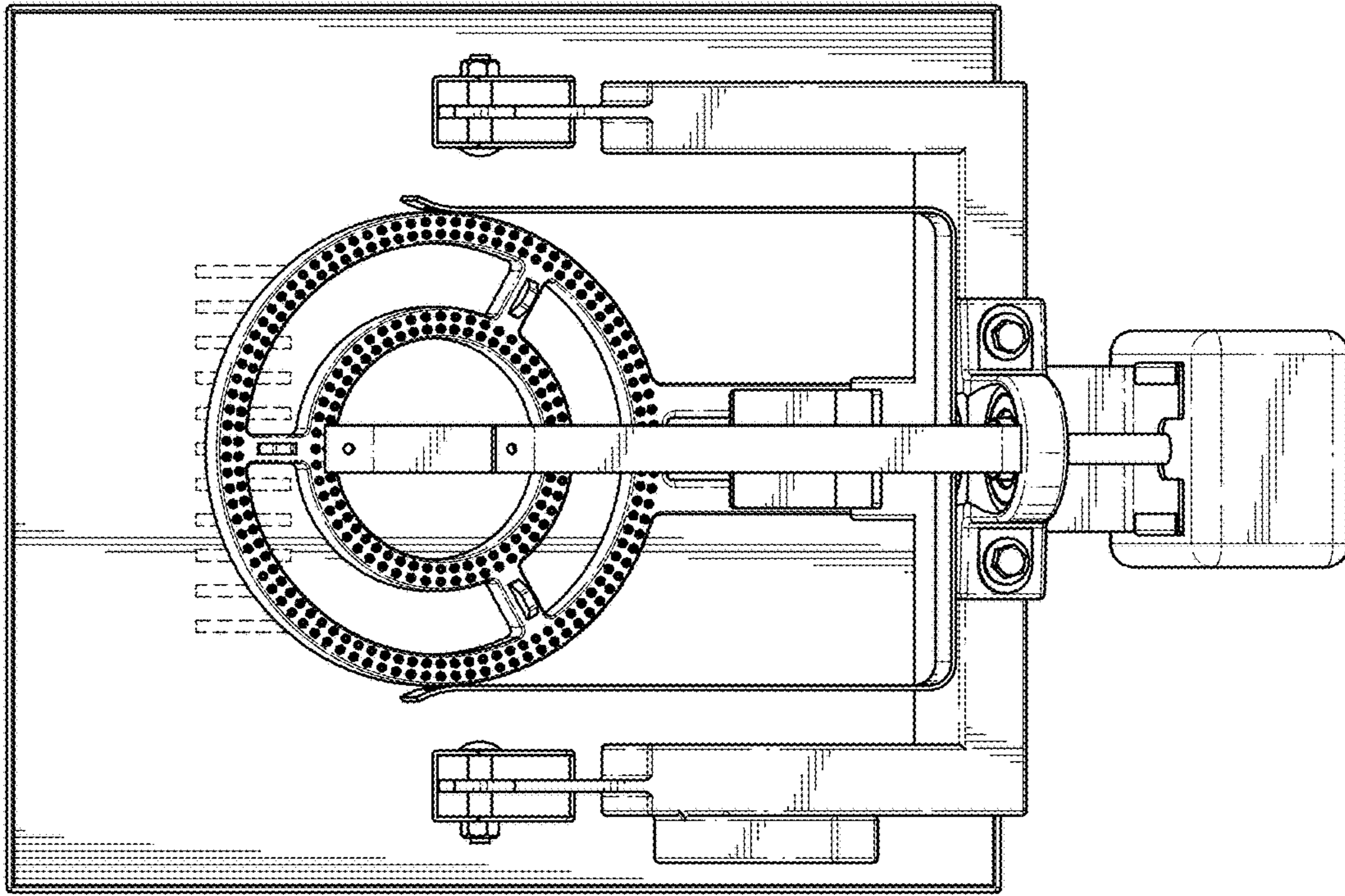


FIG. 8

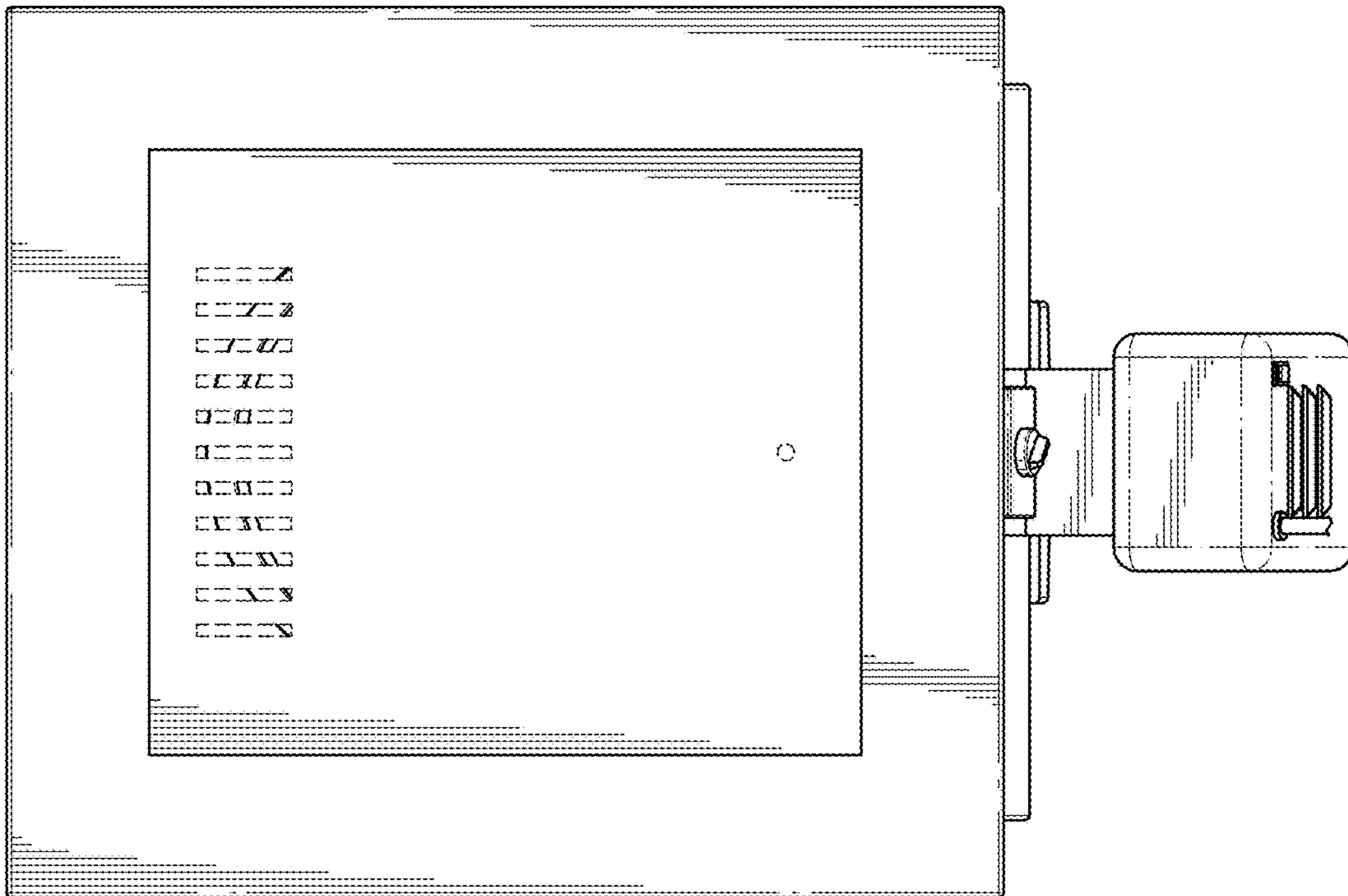


FIG. 9