

US00D809328S

(12) **United States Design Patent** (10) **Patent No.:** **US D809,328 S**
Lira-Nunez (45) **Date of Patent:** **** Feb. 6, 2018**

- (54) **GRILL WITH CABINET**
- (71) Applicant: **Carmen O. Lira-Nunez**, Downers Grove, IL (US)
- (72) Inventor: **Carmen O. Lira-Nunez**, Downers Grove, IL (US)
- (73) Assignee: **Weber-Stephen Products LLC**, Palatine, IL (US)
- (**) Term: **15 Years**
- (21) Appl. No.: **29/563,556**
- (22) Filed: **May 5, 2016**

Related U.S. Application Data

- (63) Continuation of application No. 29/552,650, filed on Jan. 25, 2016.
- (51) **LOC (11) Cl.** **07-02**
- (52) **U.S. Cl.**
USPC **D7/334**
- (58) **Field of Classification Search**
USPC D7/213, 323, 324, 325, 326, 327, 328, D7/329, 330, 331, 332, 333, 334, 335, D7/336, 337, 402, 404, 405, 406, 407
(Continued)

References Cited

U.S. PATENT DOCUMENTS

- D461,359 S 8/2002 Coleman
- D465,693 S * 11/2002 Coleman D7/334
(Continued)

OTHER PUBLICATIONS

Photographs of grill manufactured in 2005 by Chinese entity Perfect Glo.

(Continued)

Primary Examiner — Susan Bennett Hattan
Assistant Examiner — Suzanne E Tisdell
(74) *Attorney, Agent, or Firm* — Vitale Vickrey Niro & Gasey

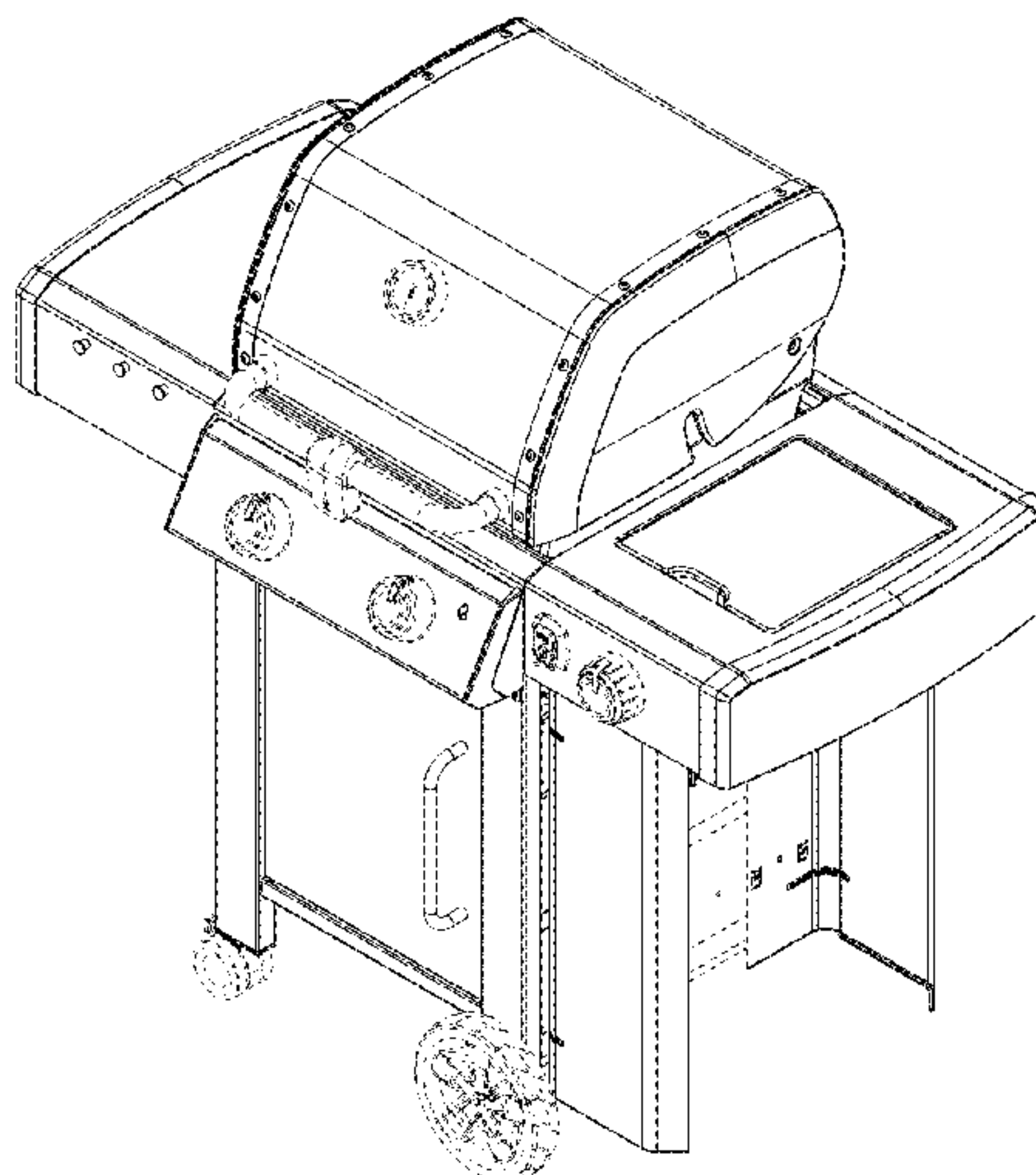
(57) **CLAIM**

The ornamental design for a grill with cabinet, as shown and described in the following Figures.

DESCRIPTION

FIG. 1 is a perspective view of a grill with cabinet of the present invention.
 FIG. 2 is a front view of the grill with cabinet of the present invention.
 FIG. 3 is a left side view of the grill with cabinet of the present invention.
 FIG. 4 is a right side view of the grill with cabinet of the present invention.
 FIG. 5 is a top view of the grill with cabinet of the present invention.
 FIG. 6 is a back view of the grill with cabinet of the present invention.
 FIG. 7 is a bottom view of the grill with cabinet of the present invention.
 FIG. 8 is a perspective view of the grill with cabinet with the items shown in broken line in FIG. 1 removed.
 FIG. 9 is a front view of the grill with cabinet with the items shown in broken line in FIG. 2 removed.
 FIG. 10 is a left side view of the grill with cabinet with the items shown in broken line in FIG. 3 removed.
 FIG. 11 is a right side view of the grill with cabinet with the items shown in broken line in FIG. 4 removed.
 FIG. 12 is a top view of the grill with cabinet with the items shown in broken line in FIG. 5 removed.
 FIG. 13 is a back view of grill with cabinet with the items shown in broken line in FIG. 6 removed; and,
 FIG. 14 is a bottom view of the grill with cabinet with the items shown in broken line in FIG. 7 removed.
 The broken lines shown in the Figures are for illustration purposes only and form no part of the claimed design.

1 Claim, 12 Drawing Sheets



- (58) **Field of Classification Search**
 CPC A47J 33/00; A47J 37/04; A47J 37/041;
 A47J 37/07-37/0713; A47J
 37/0718-37/0727; A47J 37/0731-37/074;
 A47J 37/0745-37/0772; A47J 2037/0777;
 A47J 37/0781

See application file for complete search history.

- (56) **References Cited**

U.S. PATENT DOCUMENTS

D470,357 S	2/2003	Home	
D471,057 S	3/2003	Chung	
D483,983 S	12/2003	Harrod	
D494,004 S *	8/2004	Chapman	D7/334
D521,308 S	5/2006	Tseng	
D525,072 S *	7/2006	Wilgus	D7/334
D551,499 S	9/2007	Bruno	
D560,953 S	2/2008	Bruno	
D564,834 S	3/2008	Bruno	
D579,709 S *	11/2008	Proffitt	D7/334
D609,045 S	2/2010	Bruno	
D660,073 S *	5/2012	Chung	D7/334
D661,538 S *	6/2012	Chung	D7/334
D679,937 S *	4/2013	Chung	D7/334
D681,389 S *	5/2013	Goecke	D7/334
D687,667 S *	8/2013	Chien	D7/334
D687,669 S *	8/2013	Chung	D7/334
D688,082 S *	8/2013	Crick	D7/334
D697,357 S *	1/2014	Goecke	D7/334
D712,191 S *	9/2014	Chung	D7/334
D717,097 S *	11/2014	Lin	D7/334
D722,809 S *	2/2015	Chung	D7/334
D722,810 S *	2/2015	Chung	D7/334
D723,321 S *	3/2015	Chung	D7/334
D726,491 S *	4/2015	Witzel	D7/334
D731,843 S *	6/2015	Chung	D7/334

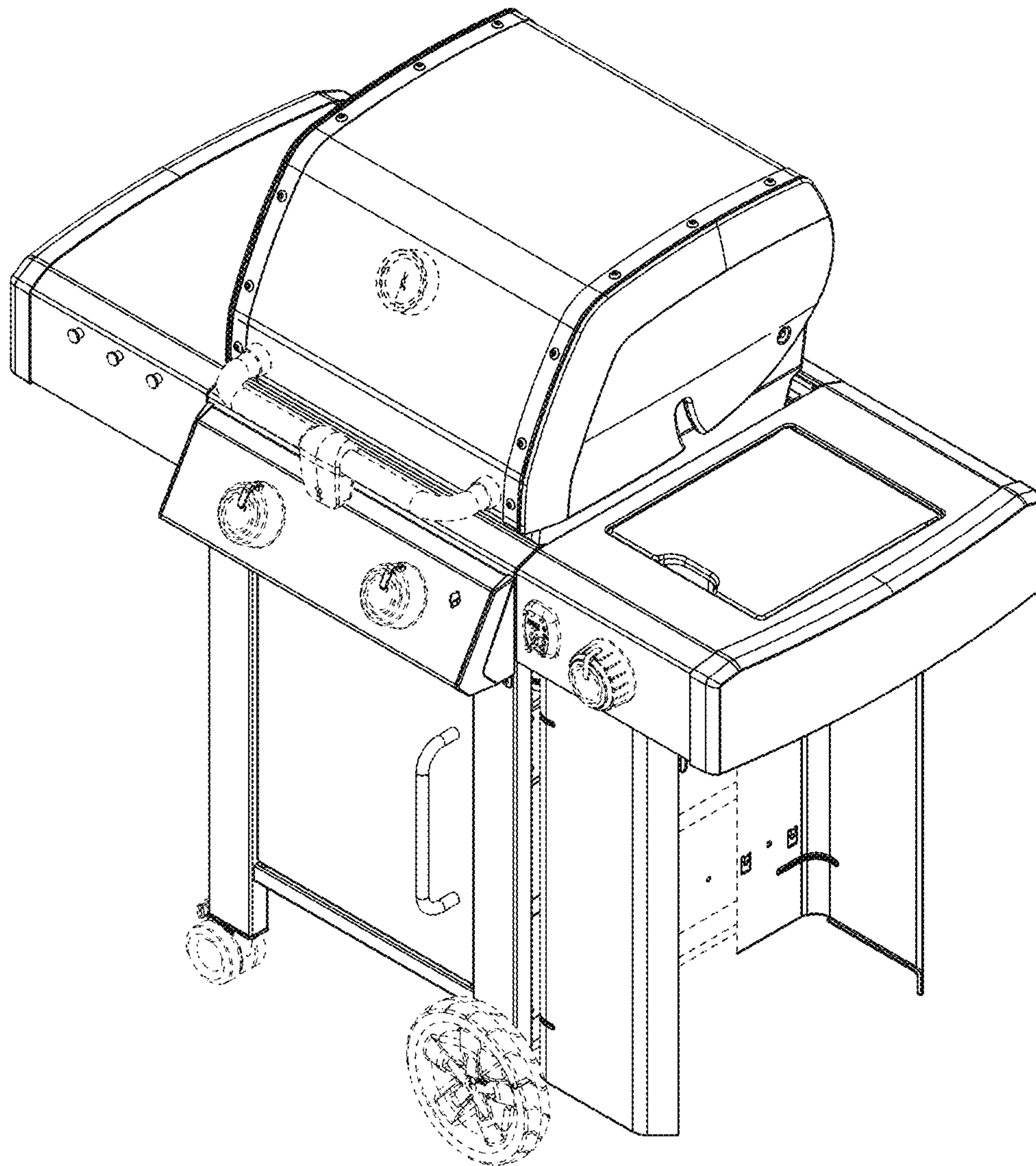
D732,874 S *	6/2015	Chung	D7/334
D736,026 S *	8/2015	Kam	D7/334
D737,092 S *	8/2015	Lin	D7/334
D744,775 S *	12/2015	Yang	D7/334
D747,909 S *	1/2016	Simms, II	D7/332
D748,423 S *	2/2016	Chiang	D7/334
D753,430 S *	4/2016	Wagner	D7/334
D769,667 S *	10/2016	Ting	D7/332
D773,229 S *	12/2016	Jaggard	D7/334
D773,879 S *	12/2016	Magee	D7/334
D776,476 S *	1/2017	Euwer	D7/334
2008/0121118 A1 *	5/2008	Sikes	A47J 37/07 99/447
2008/0229937 A1 *	9/2008	Stephen	A47J 37/07 99/421 R
2010/0132689 A1 *	6/2010	Contarino, Jr.	A47J 37/067 126/25 B
2013/0112088 A1 *	5/2013	May	A47J 37/07 99/421 H
2014/0261378 A1 *	9/2014	Barreto	A47J 37/0713 126/25 R
2014/0318524 A1 *	10/2014	Measom	A47J 37/0704 126/25 R
2015/0004297 A1 *	1/2015	Pothes	A47J 37/00 426/523
2016/0208837 A1 *	7/2016	Chang	F16B 5/02

OTHER PUBLICATIONS

SEARS 2013 Simply Outdoors Catalog, pp. 62-64, Kenmore Elite 500 Series gas grill.
 SEARS Owner's Manual for Kenmore Elite Liquid Propane Gas Grill Model 141.16680, dated Dec. 16, 2002.
 Blue Rhino Global Sourcing Owner's Manual for UniFlame Outdoor LP Gas Barbecue Grill Model No. NSG3902D, dated 2005.

* cited by examiner

Fig. 1



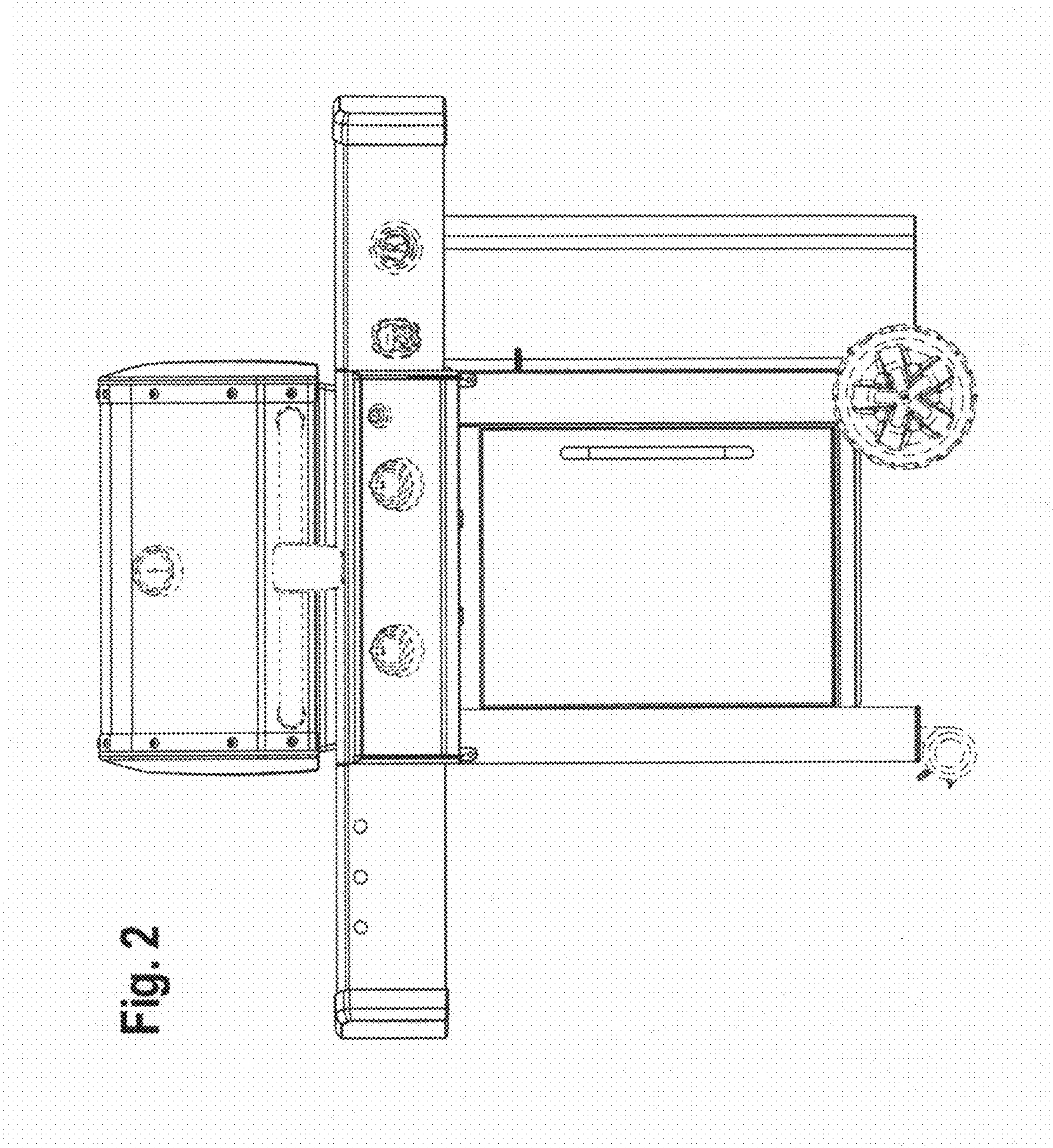


Fig. 2

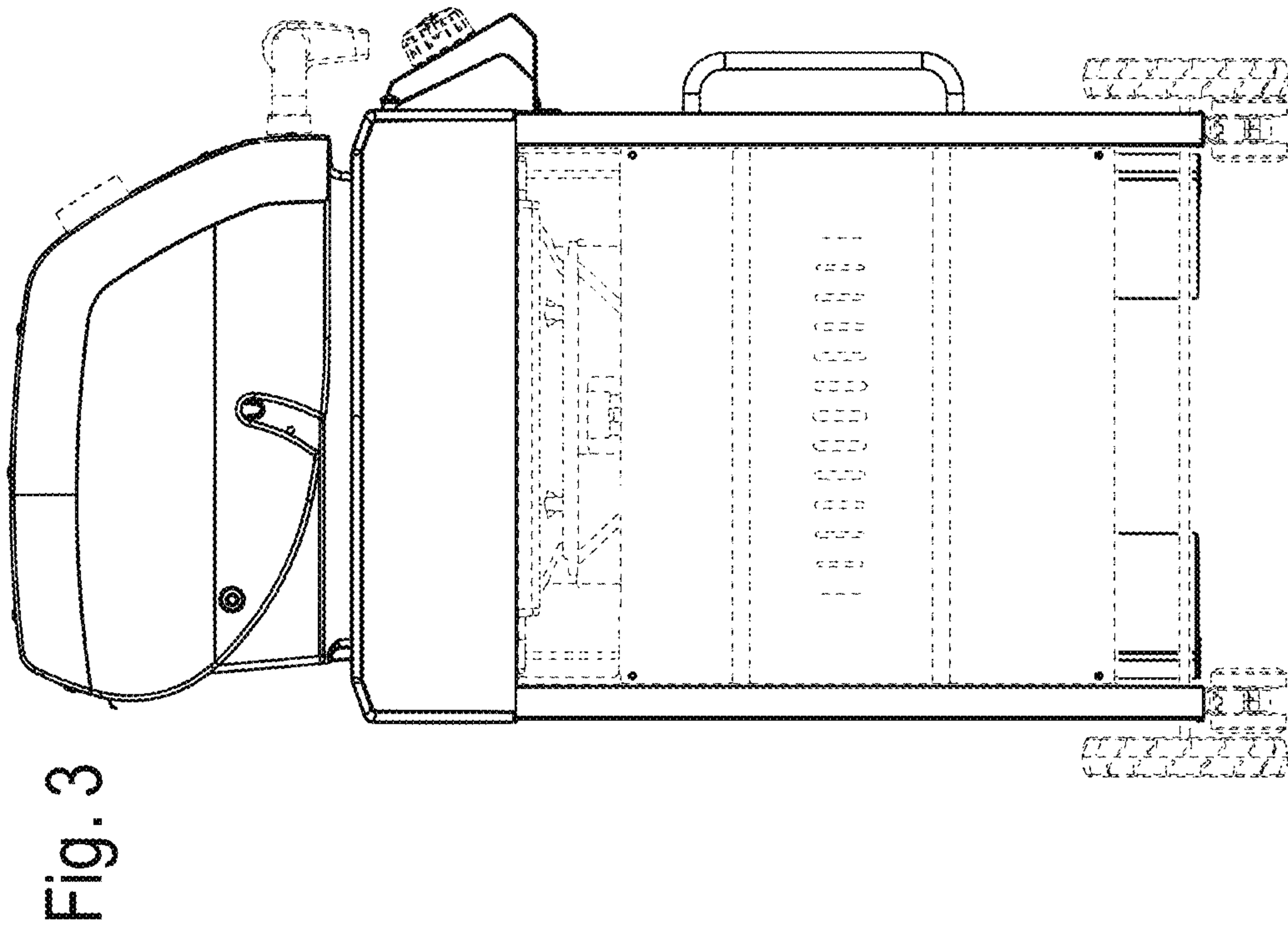
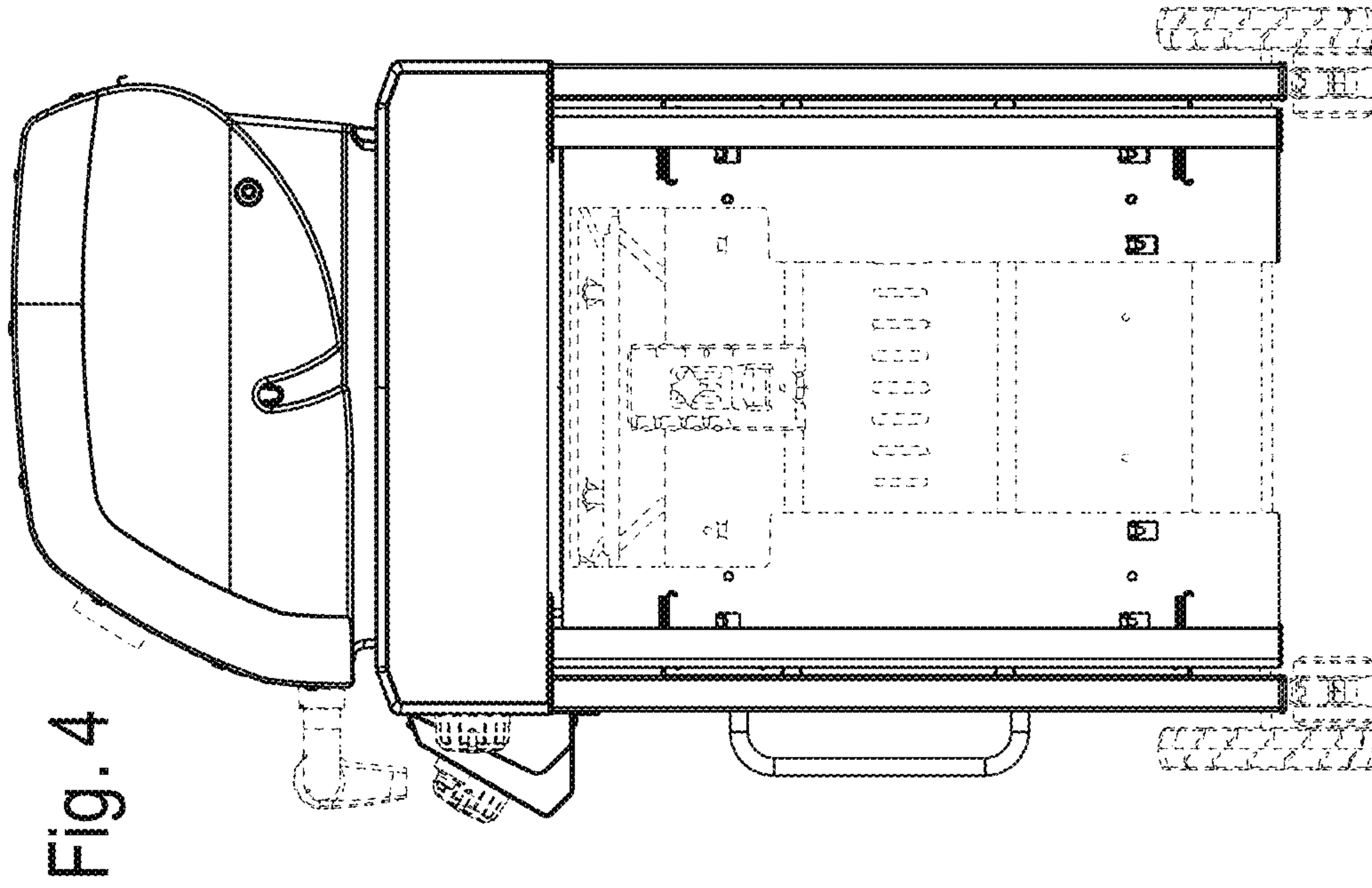
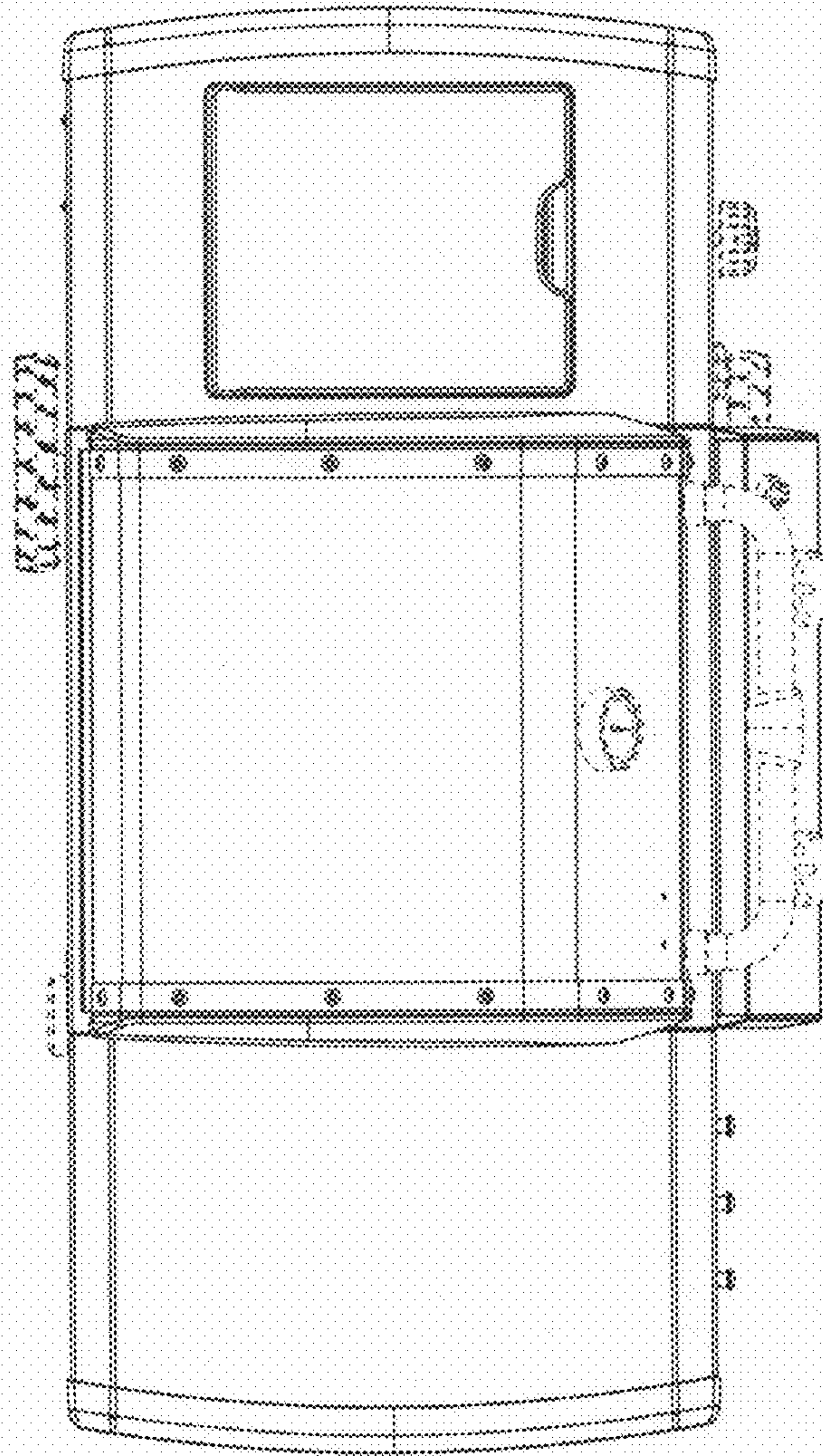


Fig. 5



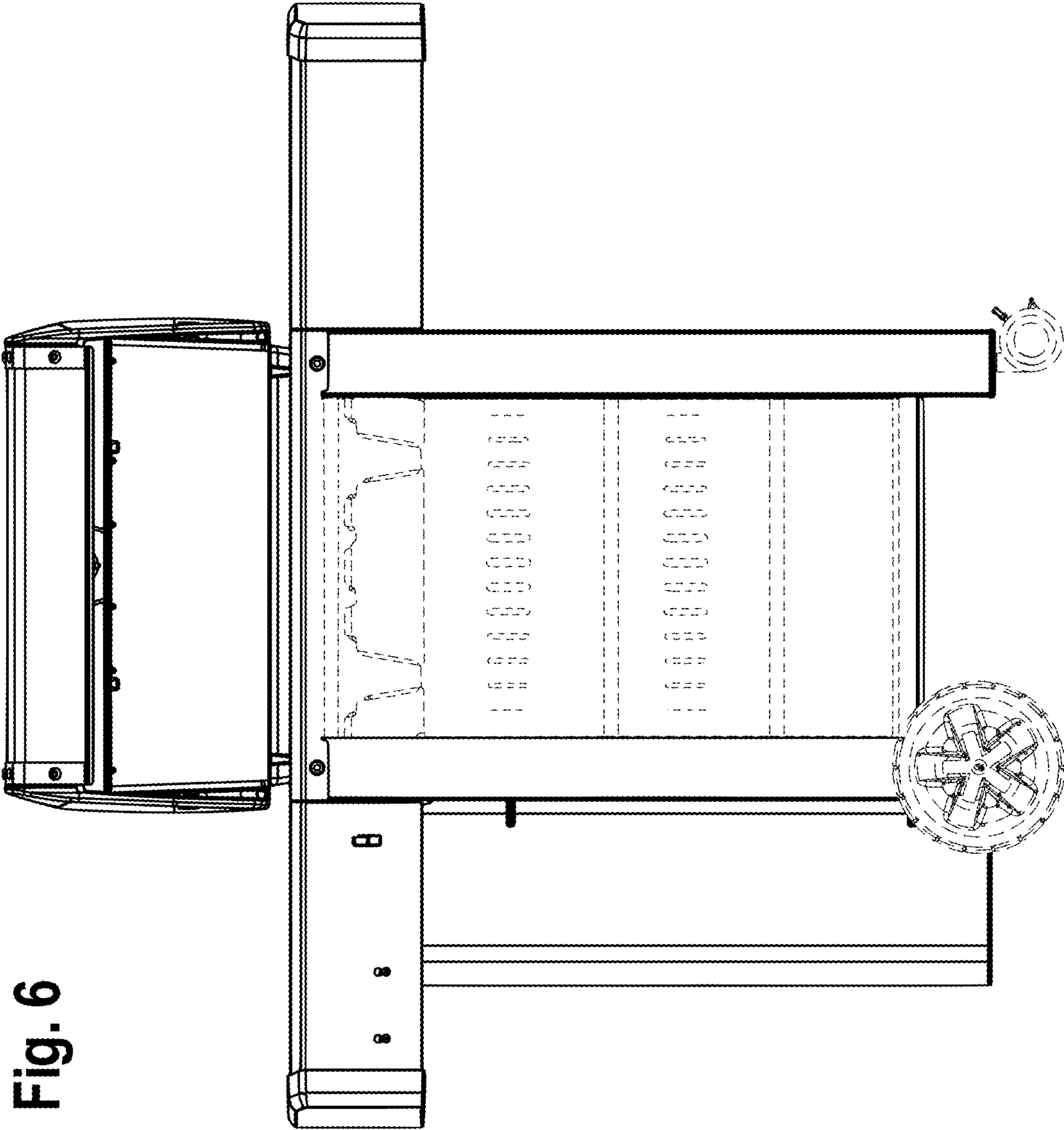


Fig. 6

Fig. 7

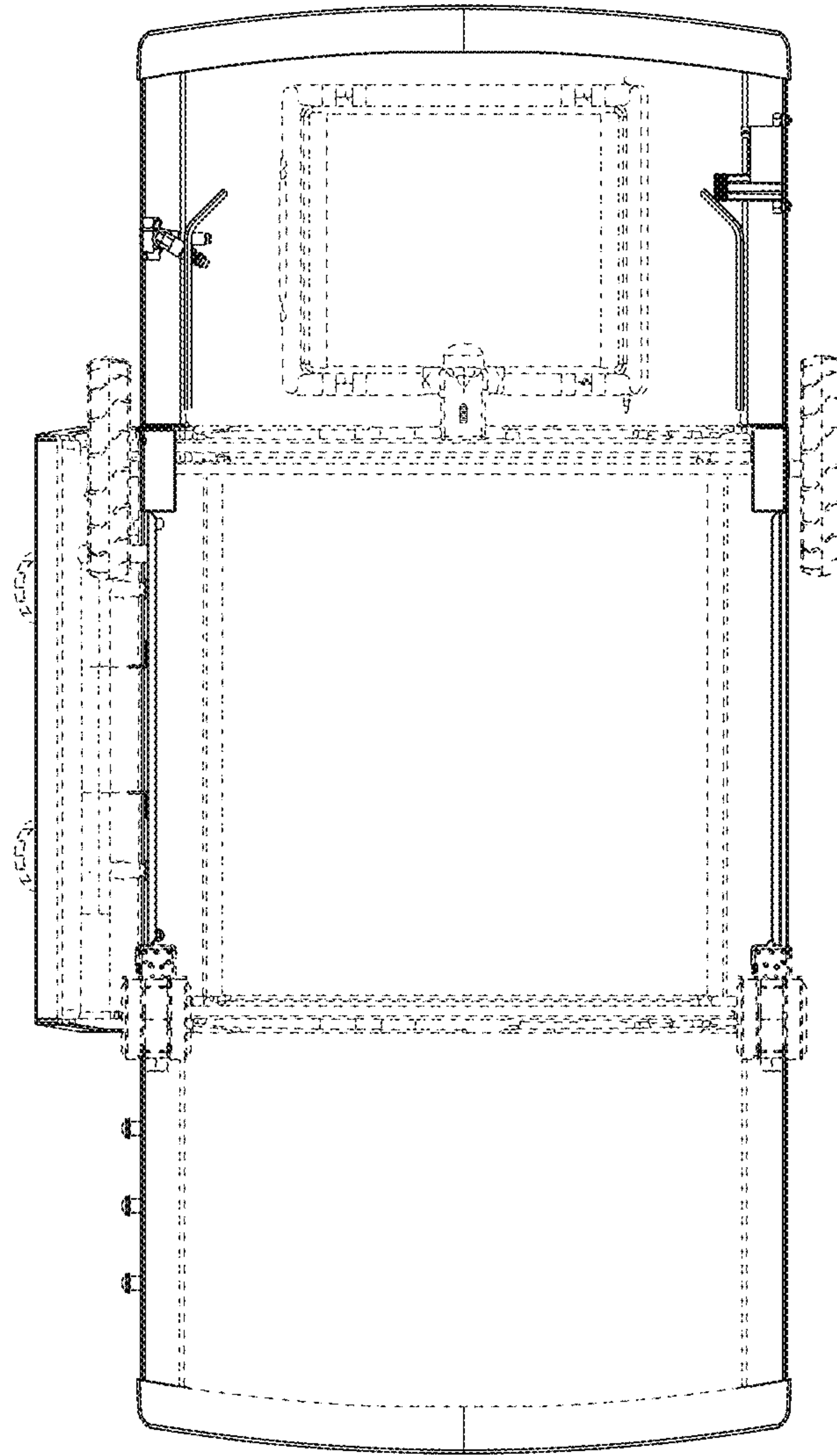
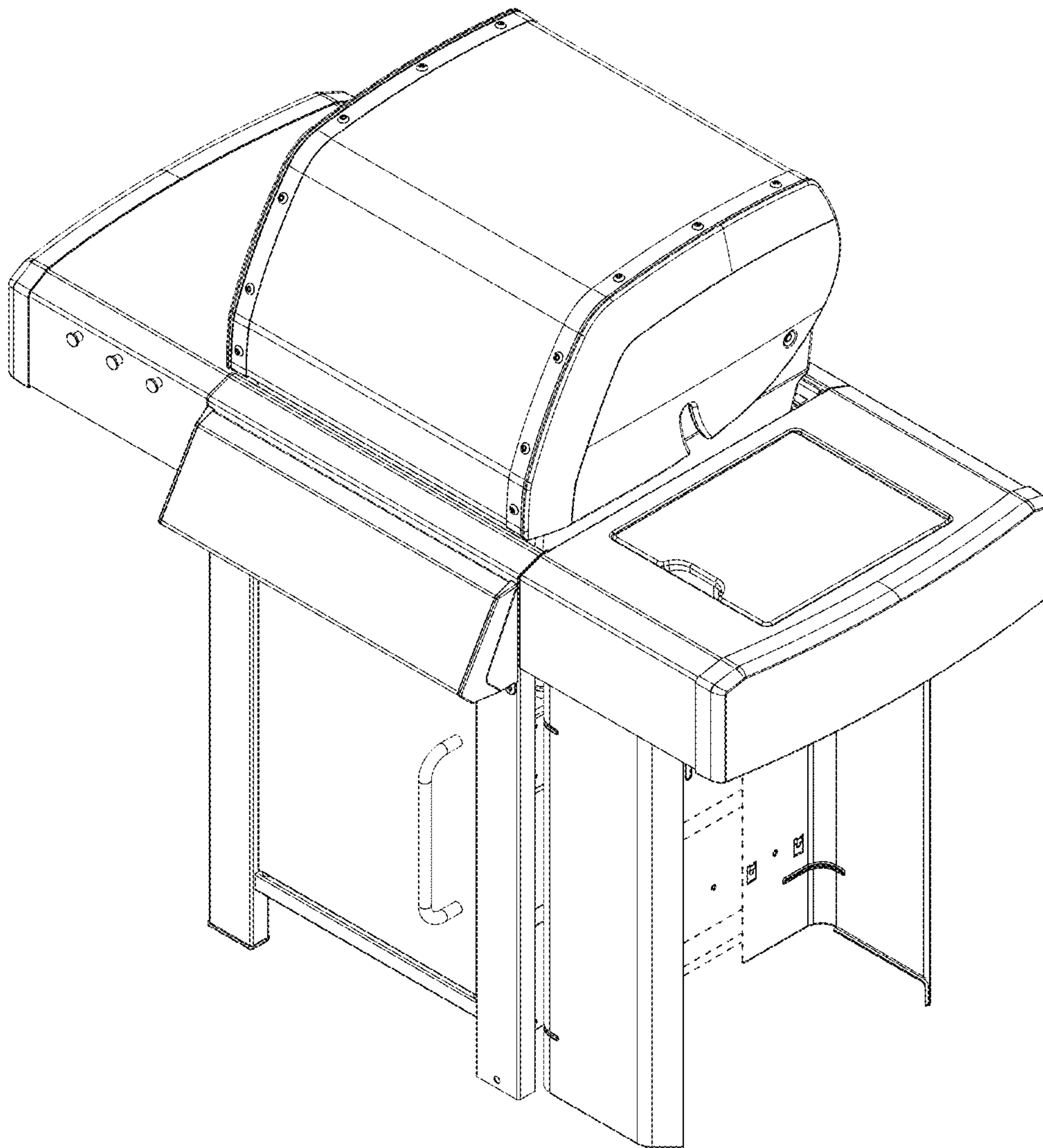


Fig. 8



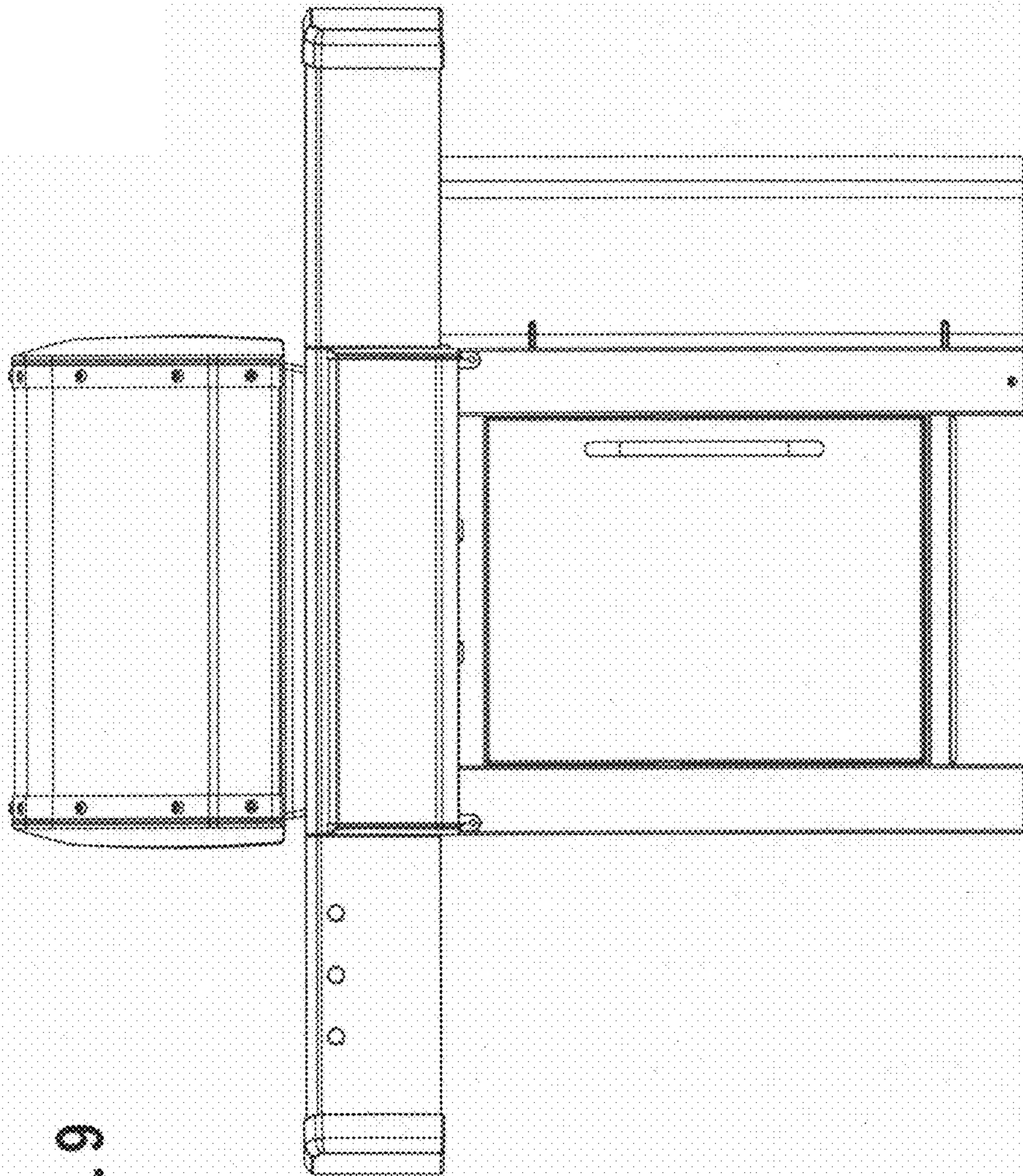


Fig. 9

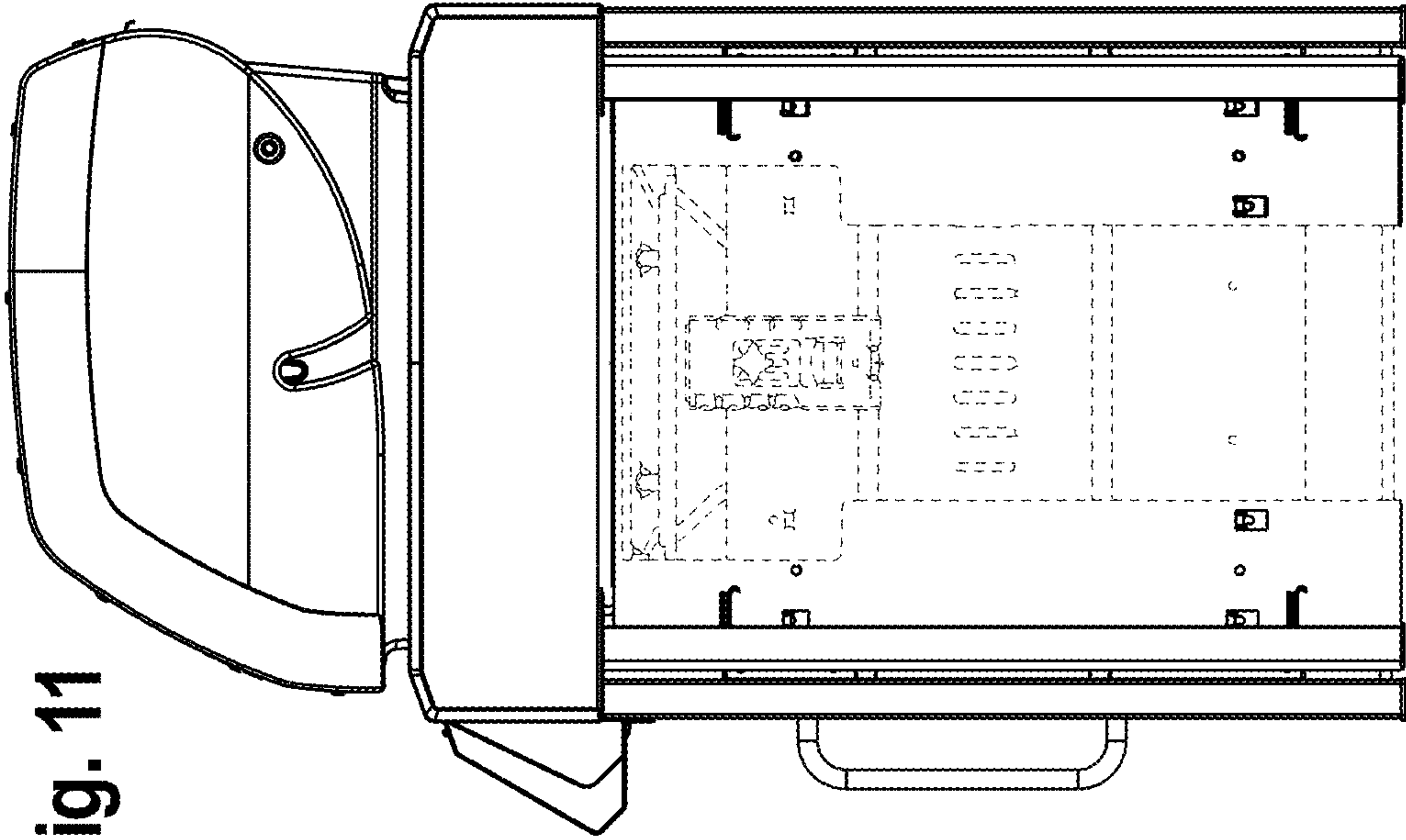


Fig. 11

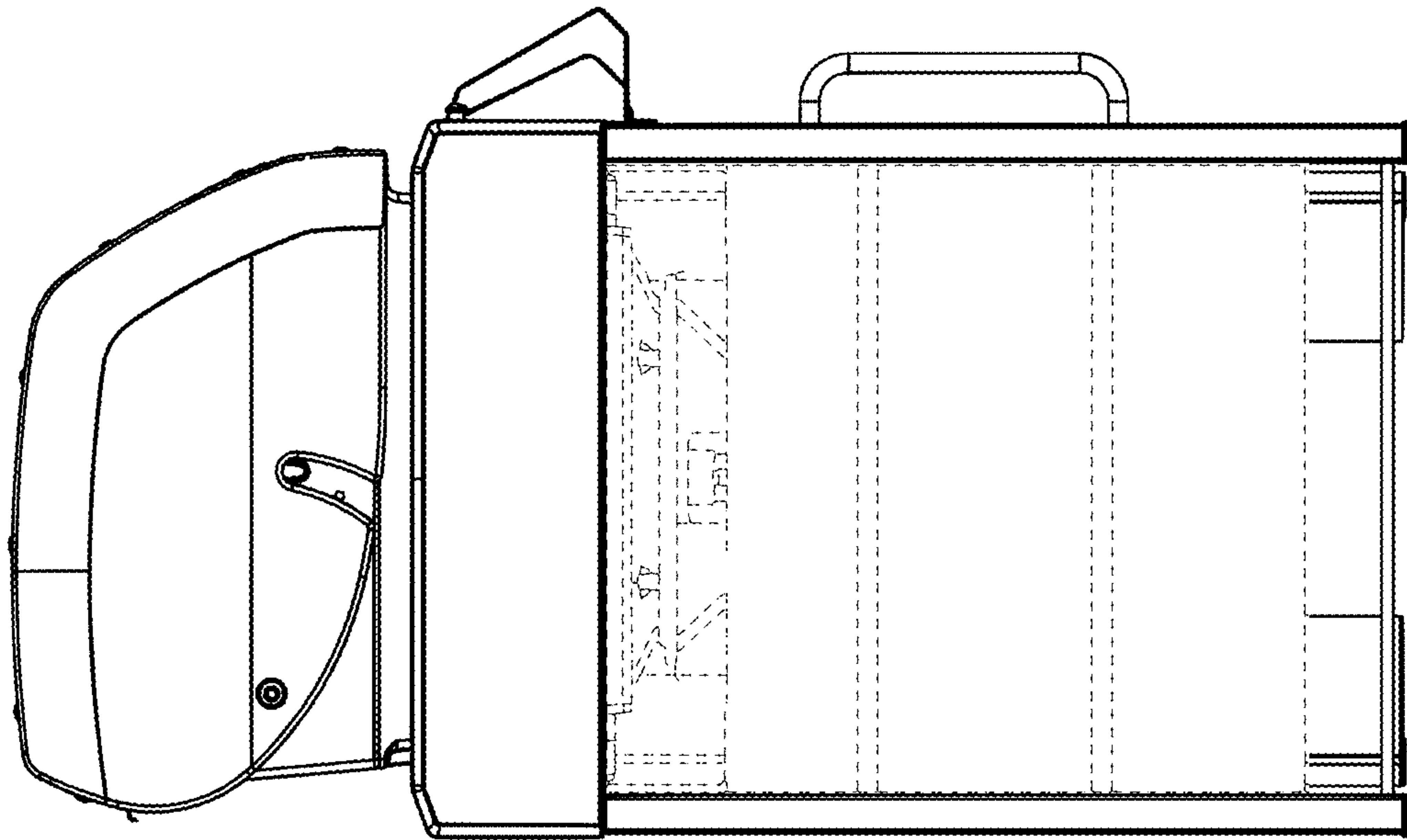
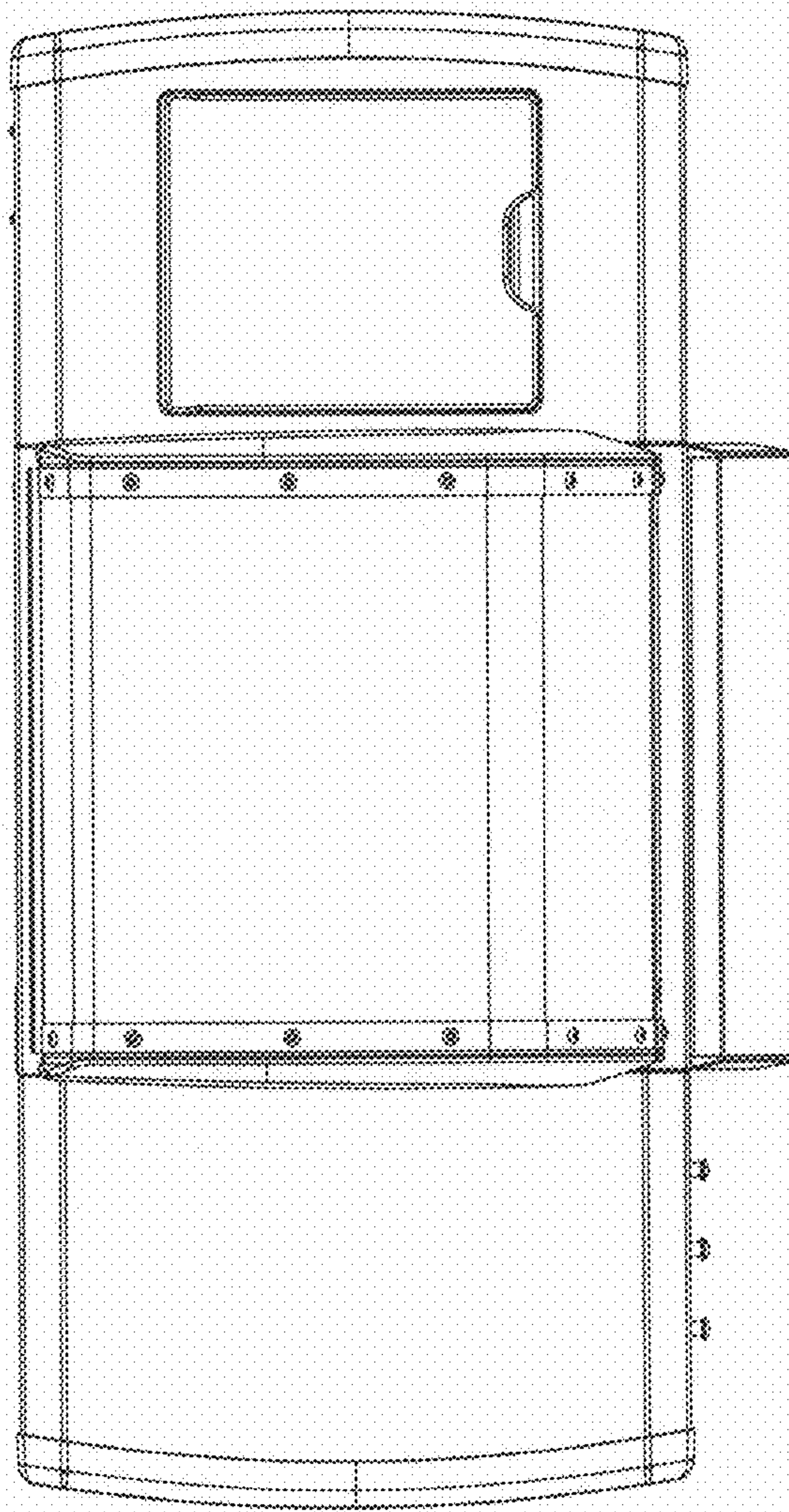


Fig. 10

Fig. 12



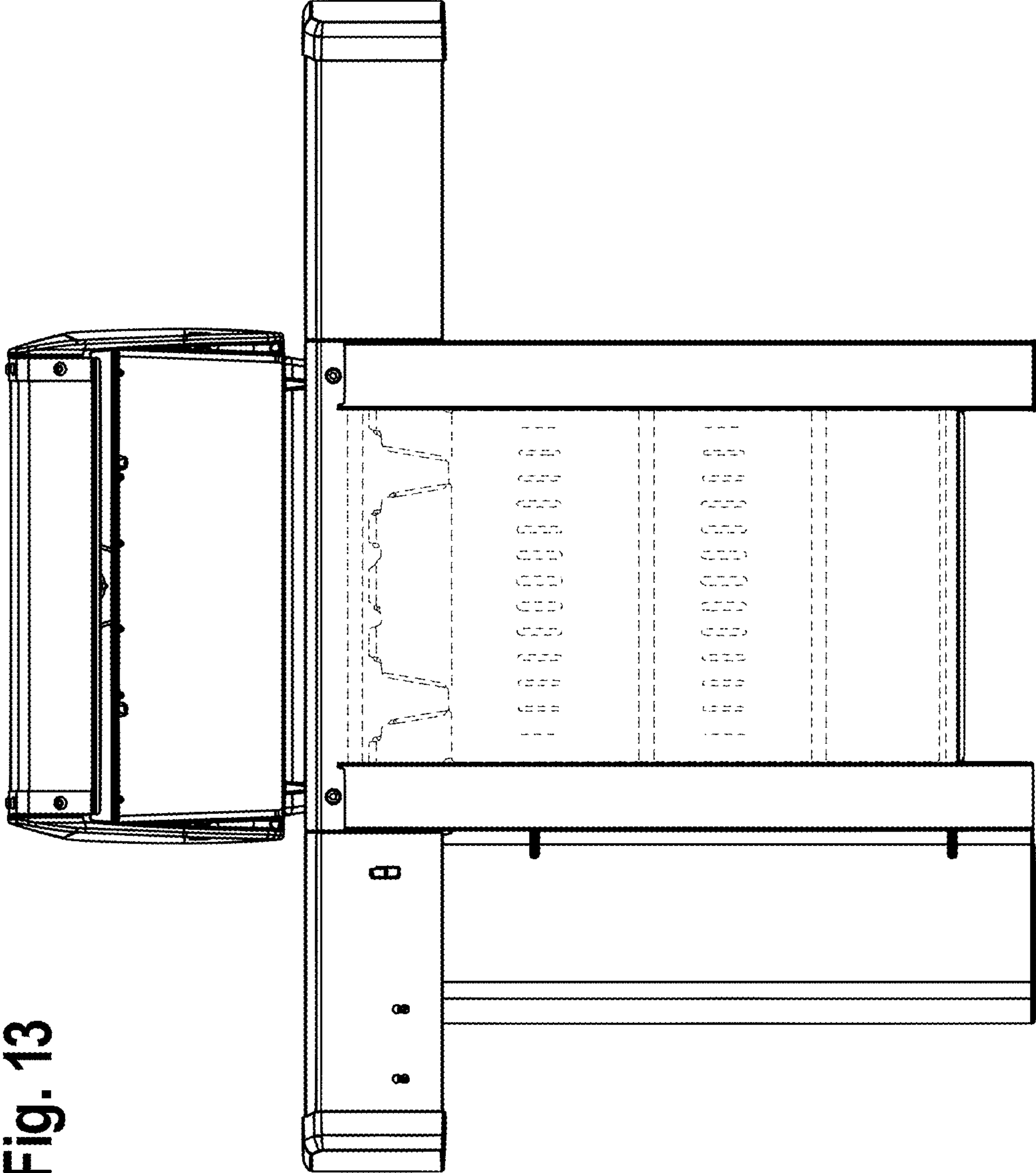
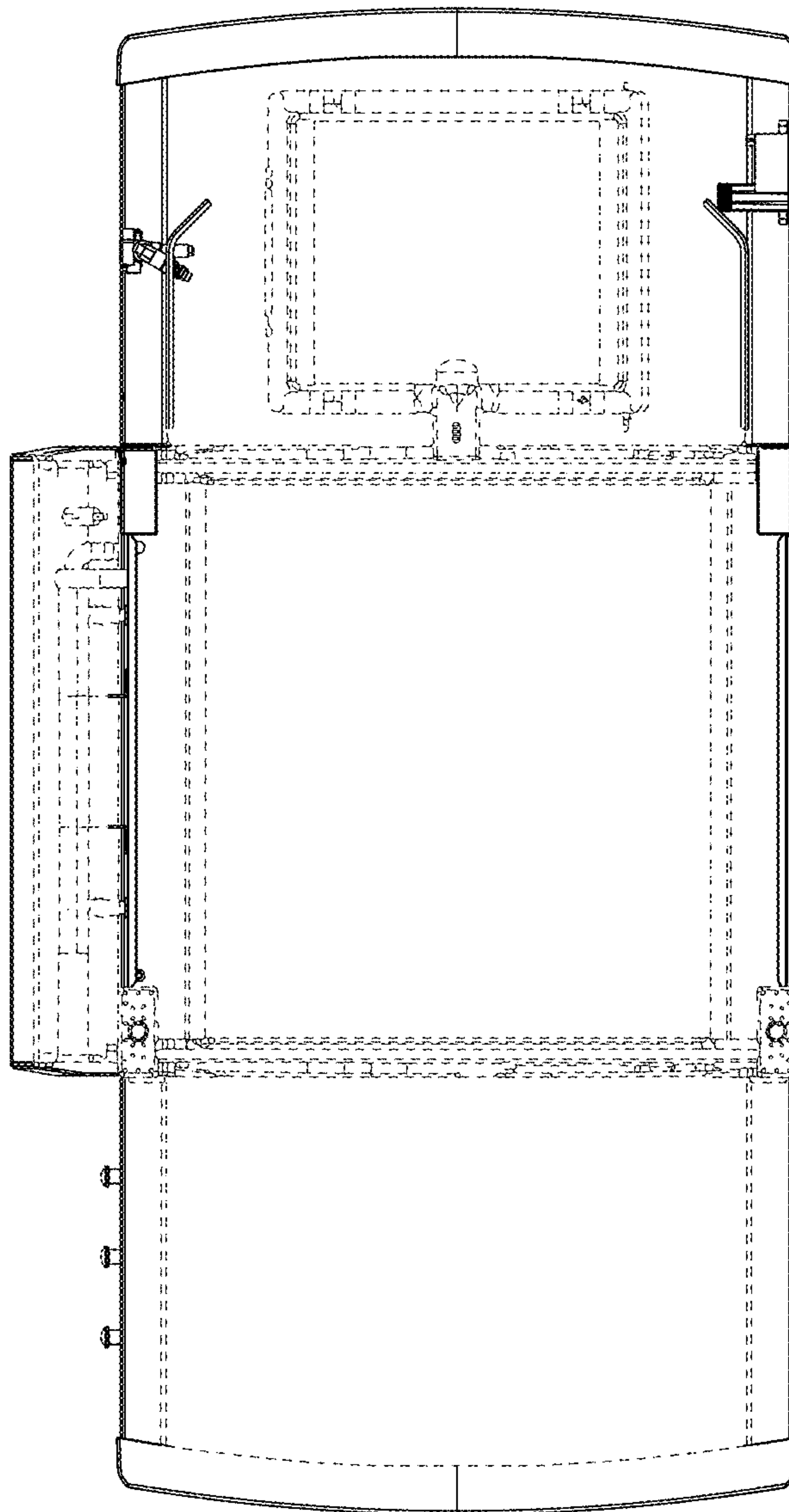


Fig. 13

Fig. 14



UNITED STATES PATENT AND TRADEMARK OFFICE
CERTIFICATE OF CORRECTION

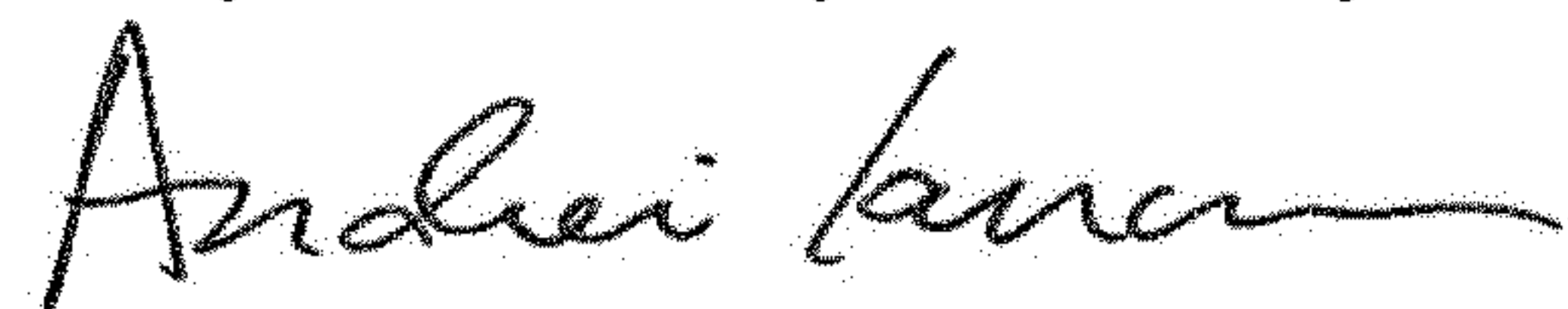
PATENT NO. : D809,328 S
APPLICATION NO. : 29/563556
DATED : February 6, 2018
INVENTOR(S) : Carmen O. Lira-Nunez

Page 1 of 15

It is certified that error appears in the above-identified patent and that said Letters Patent is hereby corrected as shown below:

Please delete Pat. No. D809,328 S in its entirety and insert Pat. No. D809,328 S in its entirety as shown on the attached pages.

Signed and Sealed this
Twenty-second Day of January, 2019



Andrei Iancu
Director of the United States Patent and Trademark Office

(12) **United States Design Patent** (10) **Patent No.:** **US D809,328 S**
Lira-Nunez (45) **Date of Patent:** **** Feb. 6, 2018**

- (54) **GRILL WITH CABINET**
- (71) Applicant: **Carmen O. Lira-Nunez**, Downers Grove, IL (US)
- (72) Inventor: **Carmen O. Lira-Nunez**, Downers Grove, IL (US)
- (73) Assignee: **Weber-Stephen Products LLC**, Palatine, IL (US)
- (**) Term: **15 Years**
- (21) Appl. No.: **29/563,556**
- (22) Filed: **May 5, 2016**

Primary Examiner — Susan Bennett Hattan
Assistant Examiner — Suzanne E Tisdell
 (74) *Attorney, Agent, or Firm* — Vitale Vickrey Niro & Gasey

(57) **CLAIM**
 The ornamental design for a grill with cabinet, as shown and described in the following Figures.

DESCRIPTION

FIG. 1 is a perspective view of a grill with cabinet of the present invention.
 FIG. 2 is a front view of the grill with cabinet of the present invention.
 FIG. 3 is a left side view of the grill with cabinet of the present invention.
 FIG. 4 is a right side view of the grill with cabinet of the present invention.
 FIG. 5 is a top view of the grill with cabinet of the present invention.
 FIG. 6 is a back view of the grill with cabinet of the present invention.
 FIG. 7 is a bottom view of the grill with cabinet of the present invention.
 FIG. 8 is a perspective view of the grill with cabinet with the items shown in broken line in FIG. 1 removed.
 FIG. 9 is a front view of the grill with cabinet with the items shown in broken line in FIG. 2 removed.
 FIG. 10 is a left side view of the grill with cabinet with the items shown in broken line in FIG. 3 removed.
 FIG. 11 is a right side view of the grill with cabinet with the items shown in broken line in FIG. 4 removed.
 FIG. 12 is a top view of the grill with cabinet with the items shown in broken line in FIG. 5 removed.
 FIG. 13 is a back view of grill with cabinet with the items shown in broken line in FIG. 6 removed; and,
 FIG. 14 is a bottom view of the grill with cabinet with the items shown in broken line in FIG. 7 removed.
 The broken lines shown in the Figures are for illustration purposes only and form no part of the claimed design.

Related U.S. Application Data

- (63) Continuation of application No. 29/552,650, filed on Jan. 25, 2016.
- (51) **LOC (11) Cl.** **07-02**
- (52) **U.S. Cl.**
 USPC **D7/334**
- (58) **Field of Classification Search**
 USPC **D7/213, 323, 324, 325, 326, 327, 328, D7/329, 330, 331, 332, 333, 334, 335, D7/336, 337, 402, 404, 405, 406, 407**
 (Continued)

(56) **References Cited**

U.S. PATENT DOCUMENTS

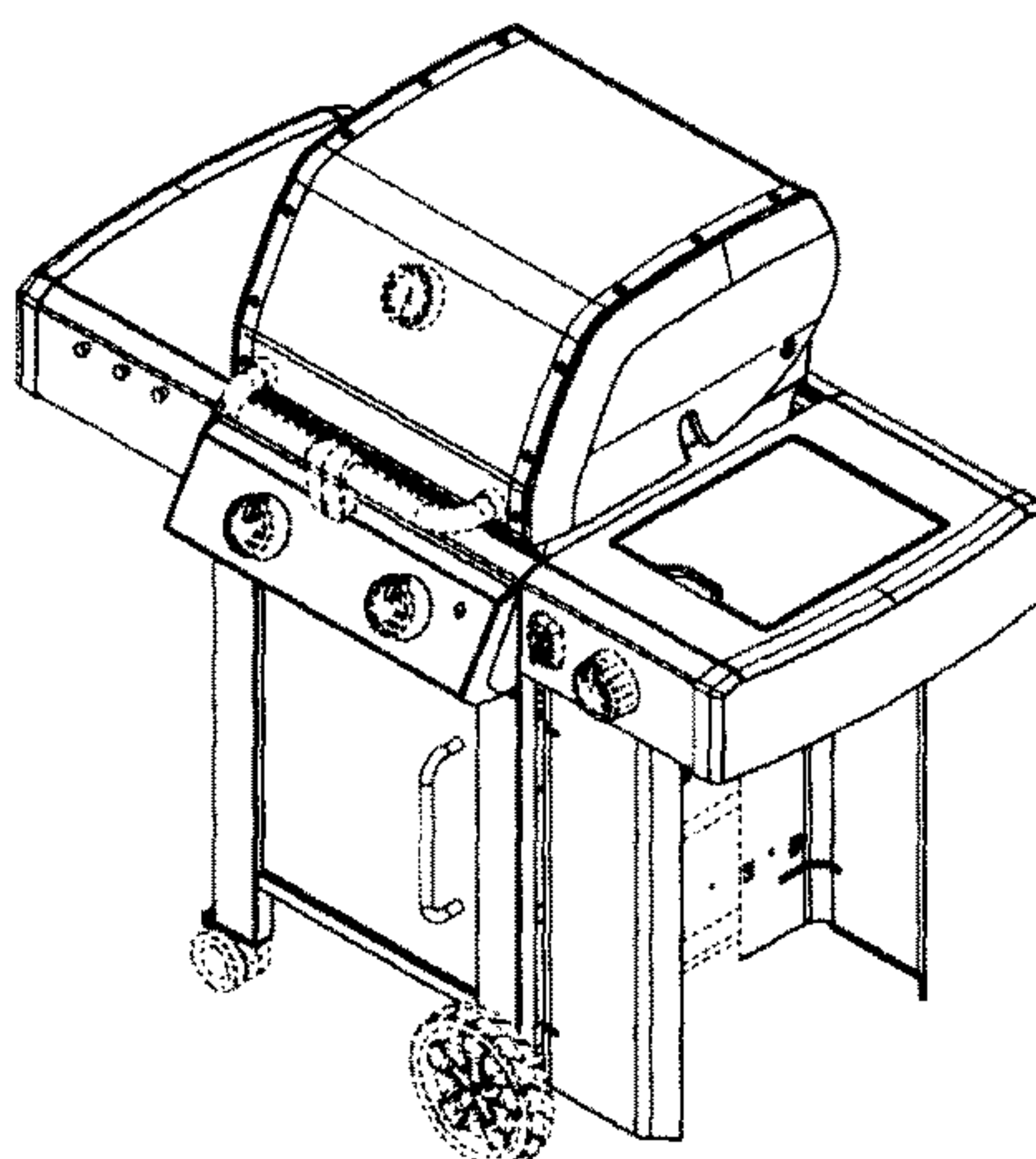
- D461,359 S 8/2002 Coleman
- D465,693 S * 11/2002 Coleman **D7/334**
 (Continued)

OTHER PUBLICATIONS

Photographs of grill manufactured in 2005 by Chinese entity Perfect Glo.

(Continued)

1 Claim, 12 Drawing Sheets



US D809,328 S

Page 2

(58) **Field of Classification Search**

CPC A47J 33/00; A47J 37/04; A47J 37/041;
 A47J 37/07-37/0713; A47J
 37/0718-37/0727; A47J 37/0731-37/074;
 A47J 37/0745-37/0772; A47J 2037/0777;
 A47J 37/0781

See application file for complete search history.

(56) **References Cited**

U.S. PATENT DOCUMENTS

D470,357 S 2/2003 Home
 D471,057 S 3/2003 Chung
 D483,983 S 12/2003 Harrod
 D494,004 S * 8/2004 Chapman D7/334
 D521,308 S 5/2006 Tseng
 D525,072 S * 7/2006 Wilgus D7/334
 D551,499 S 9/2007 Bruno
 D560,953 S 2/2008 Bruno
 D564,834 S 3/2008 Bruno
 D579,709 S * 11/2008 Proffitt D7/334
 D609,045 S 2/2010 Bruno
 D660,073 S * 5/2012 Chung D7/334
 D661,538 S * 6/2012 Chung D7/334
 D679,937 S * 4/2013 Chung D7/334
 D681,389 S * 5/2013 Goecke D7/334
 D687,667 S * 8/2013 Chien D7/334
 D687,669 S * 8/2013 Chung D7/334
 D688,082 S * 8/2013 Crick D7/334
 D697,357 S * 1/2014 Goecke D7/334
 D712,191 S * 9/2014 Chung D7/334
 D717,097 S * 11/2014 Lin D7/334
 D722,809 S * 2/2015 Chung D7/334
 D722,810 S * 2/2015 Chung D7/334
 D723,321 S * 3/2015 Chung D7/334
 D726,491 S * 4/2015 Witzel D7/334
 D731,843 S * 6/2015 Chung D7/334

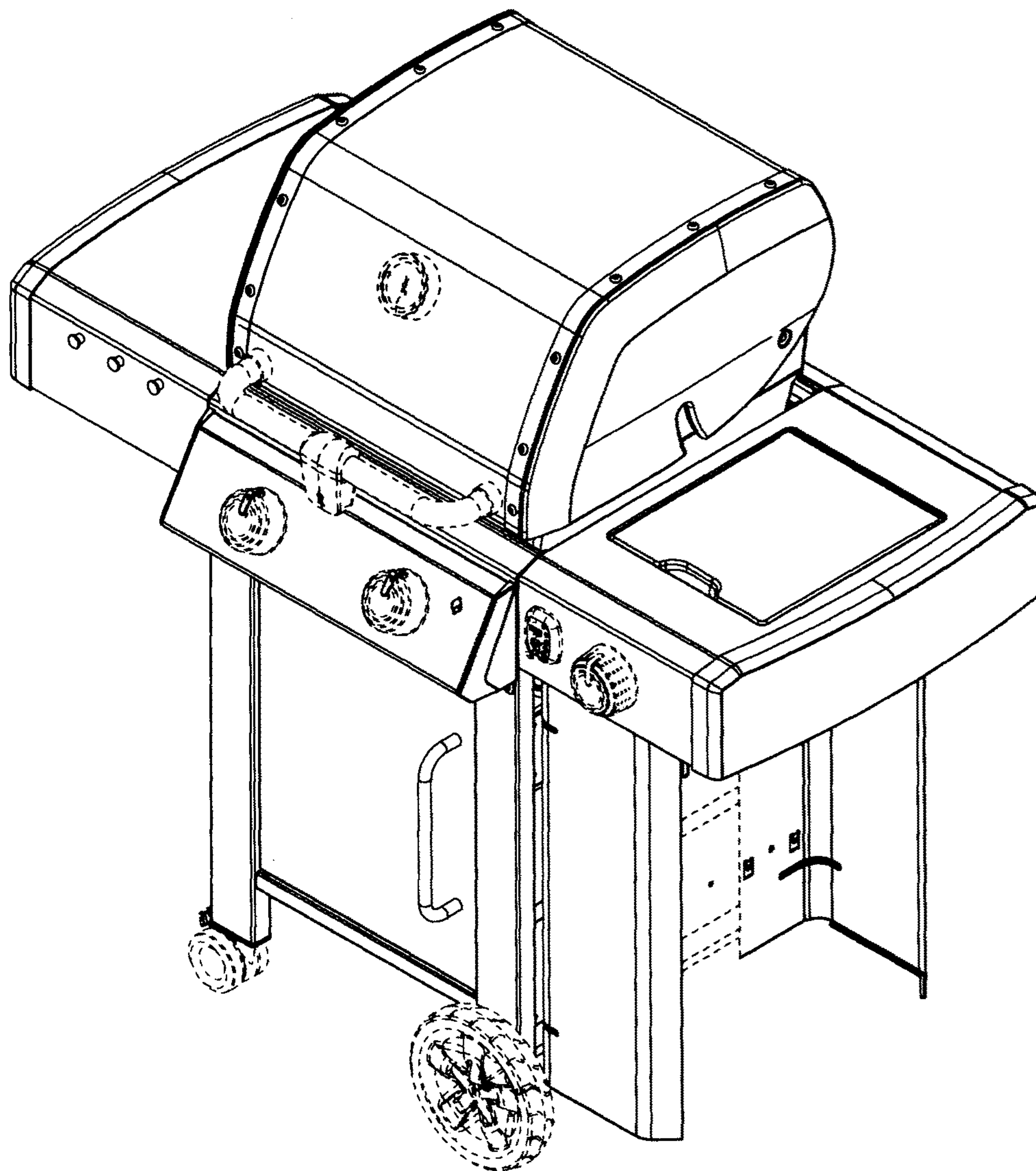
D732,874 S * 6/2015 Chung D7/334
 D736,026 S * 8/2015 Kam D7/334
 D737,092 S * 8/2015 Lin D7/334
 D744,775 S * 12/2015 Yang D7/334
 D747,909 S * 1/2016 Simms, II D7/332
 D748,423 S * 2/2016 Chiang D7/334
 D753,430 S * 4/2016 Wagner D7/334
 D769,667 S * 10/2016 Ting D7/332
 D773,229 S * 12/2016 Jaggard D7/334
 D773,879 S * 12/2016 Magee D7/334
 D776,476 S * 1/2017 Euwer D7/334
 2008/0121118 A1 * 5/2008 Sikes A47J 37/07
 99/447
 2008/0229937 A1 * 9/2008 Stephen A47J 37/07
 99/421 R
 2010/0132689 A1 * 6/2010 Contarino, Jr. A47J 37/067
 126/25 B
 2013/0112088 A1 * 5/2013 May A47J 37/07
 99/421 H
 2014/0261378 A1 * 9/2014 Barreto A47J 37/0713
 126/25 R
 2014/0318524 A1 * 10/2014 Measom A47J 37/0704
 126/25 R
 2015/0004297 A1 * 1/2015 Pothetes A47J 37/00
 426/523
 2016/0208837 A1 * 7/2016 Chang F16B 5/02

OTHER PUBLICATIONS

SEARS 2013 Simply Outdoors Catalog, pp. 62-64, Kenmore Elite
 500 Series gas grill.
 SEARS Owner's Manual for Kenmore Elite Liquid Propane Gas
 Grill Model 141.16680, dated Dec. 16, 2002.
 Blue Rhino Global Sourcing Owner's Manual for UniFlame Out-
 door LP Gas Barbecue Grill Model No. NSG3902D, dated 2005.

* cited by examiner

Fig. 1



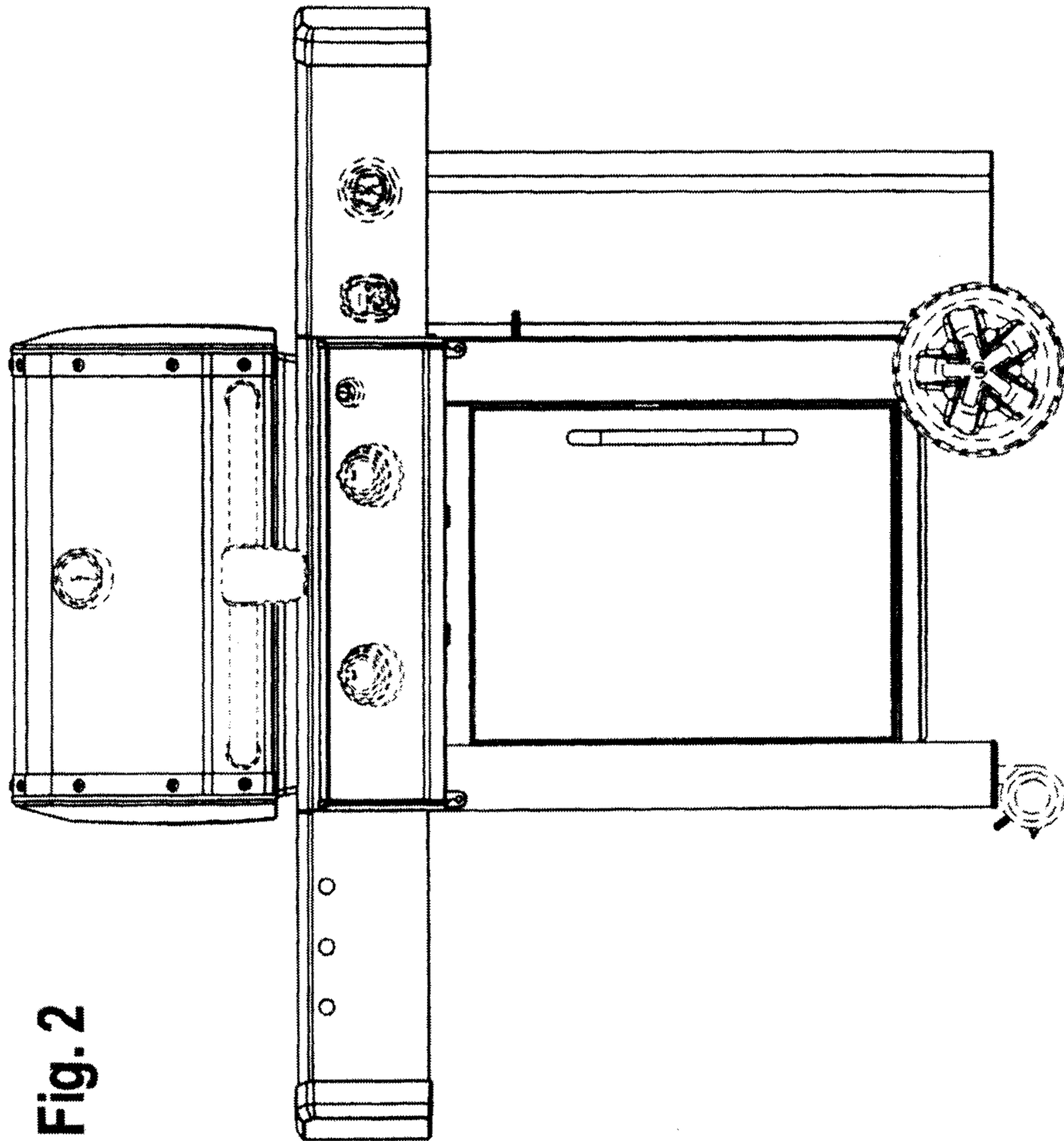


Fig. 2

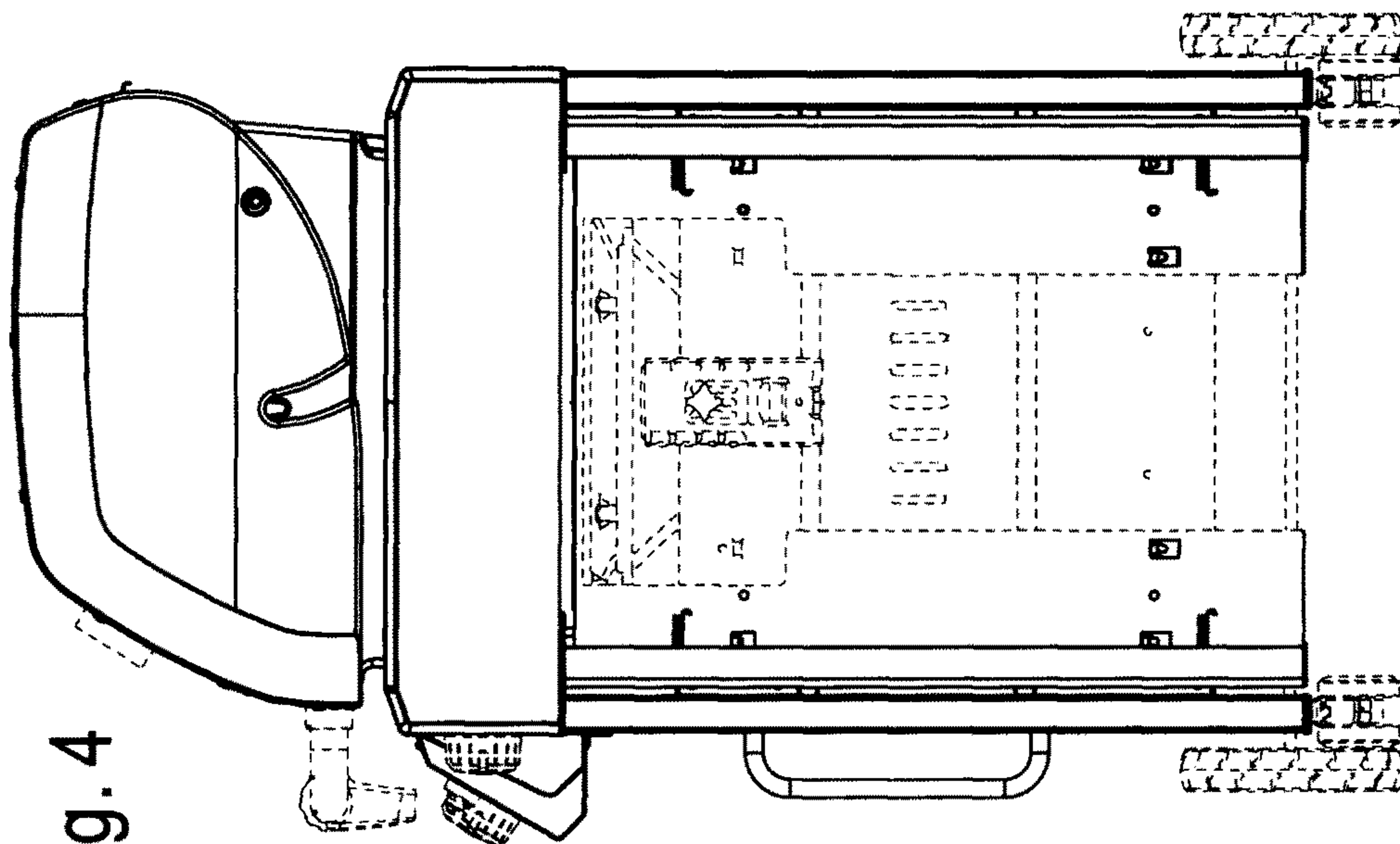


Fig. 4

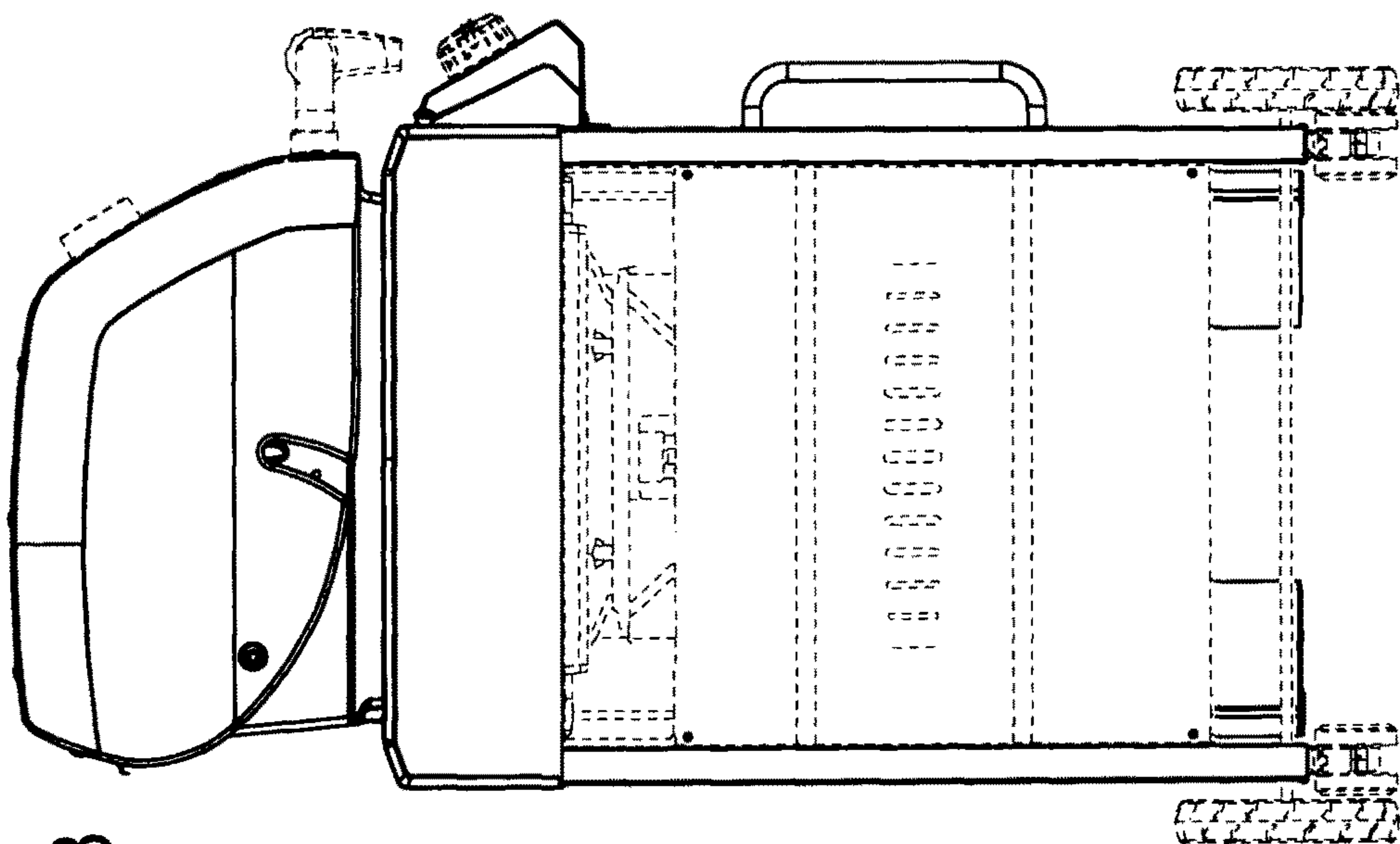
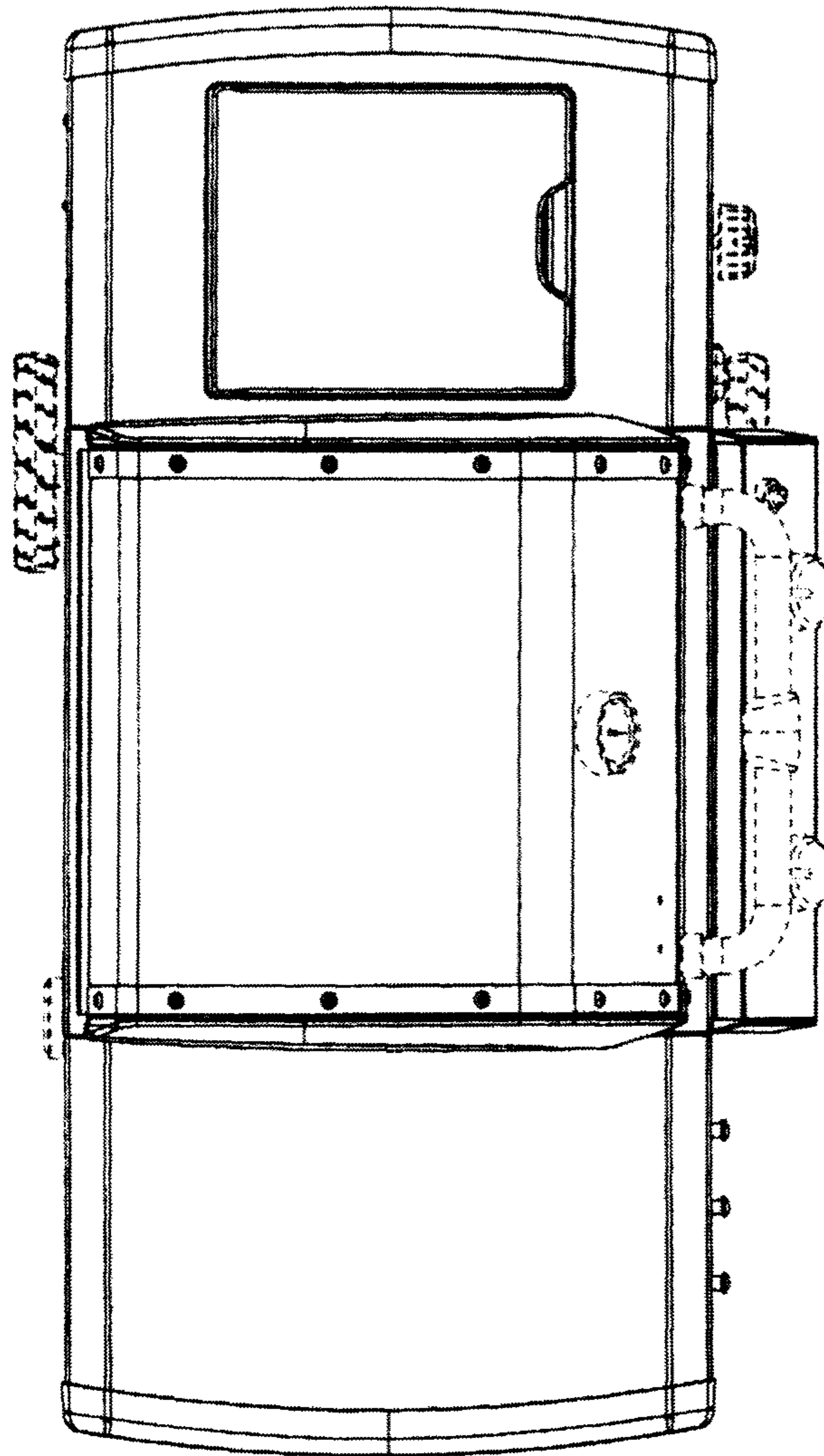


Fig. 3

Fig. 5



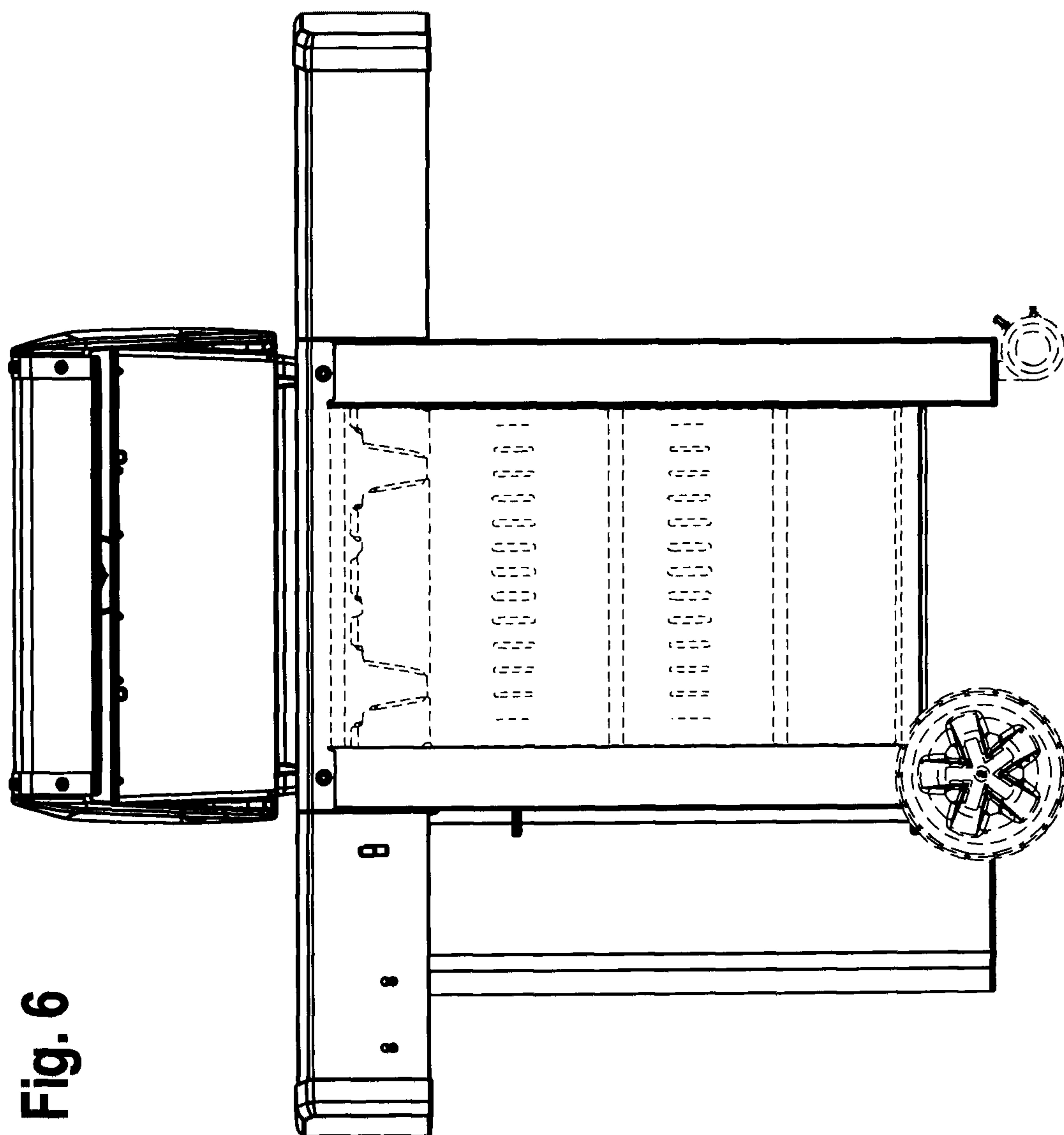


Fig. 6

Fig. 7

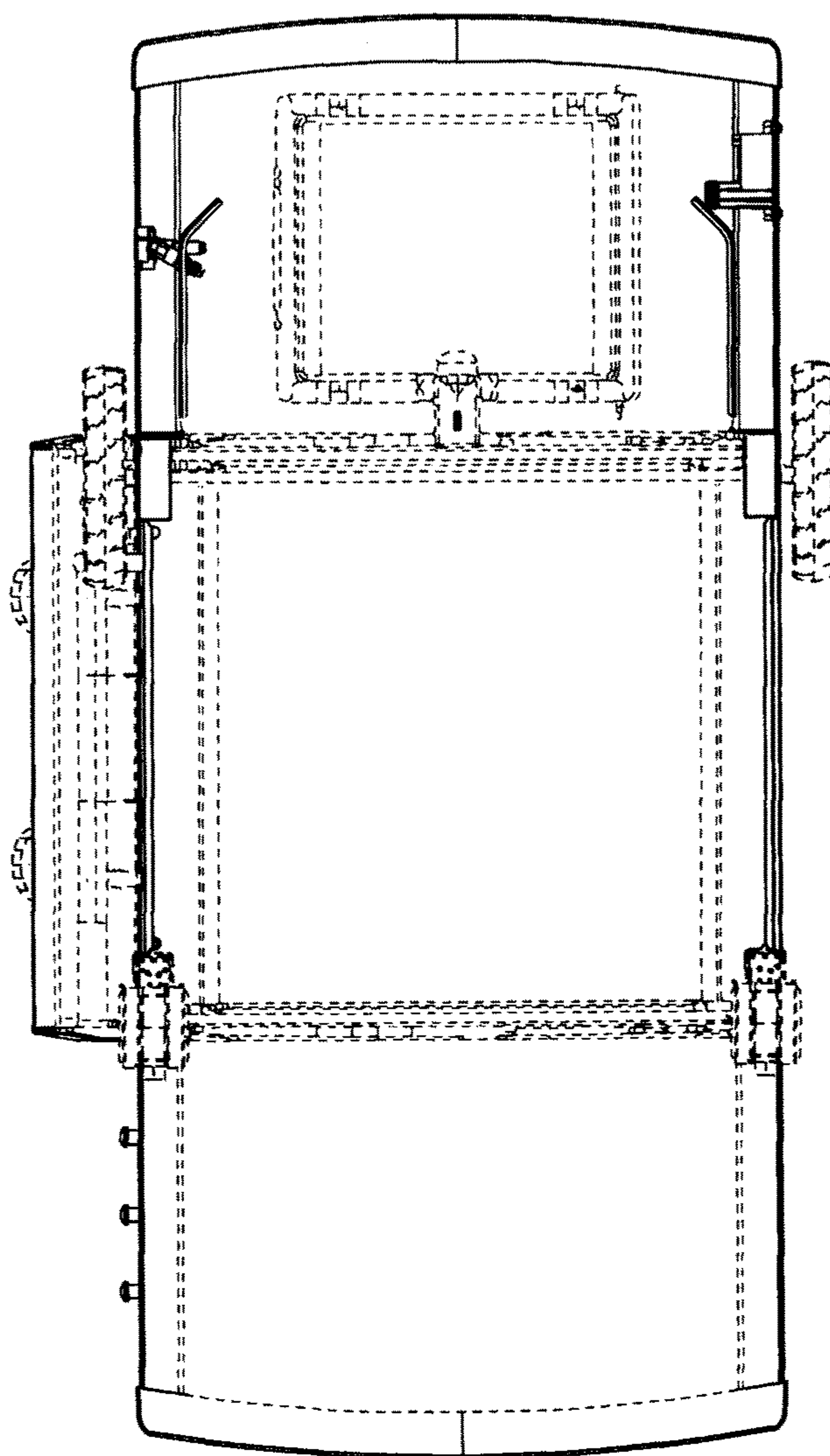
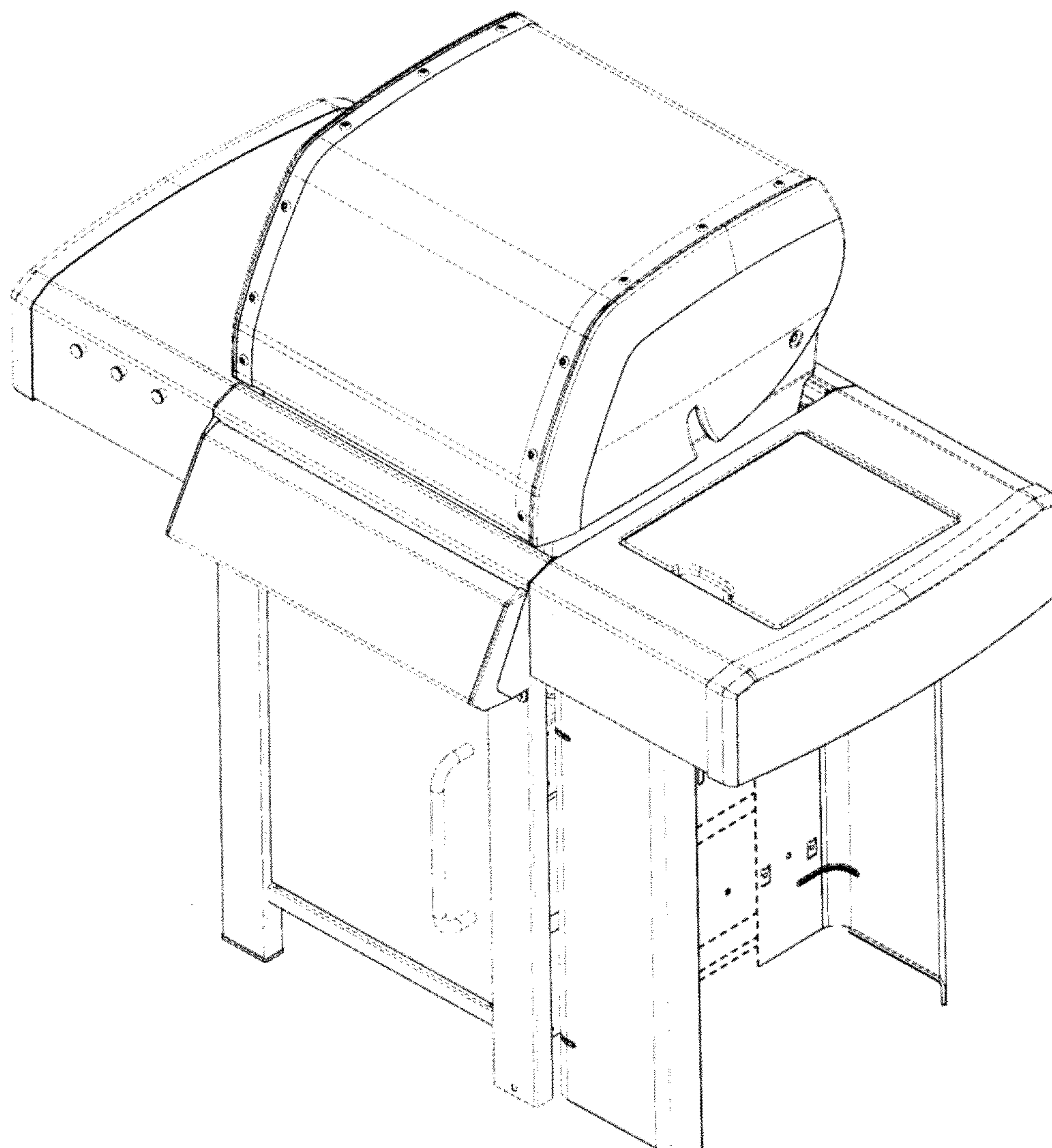


Fig. 8



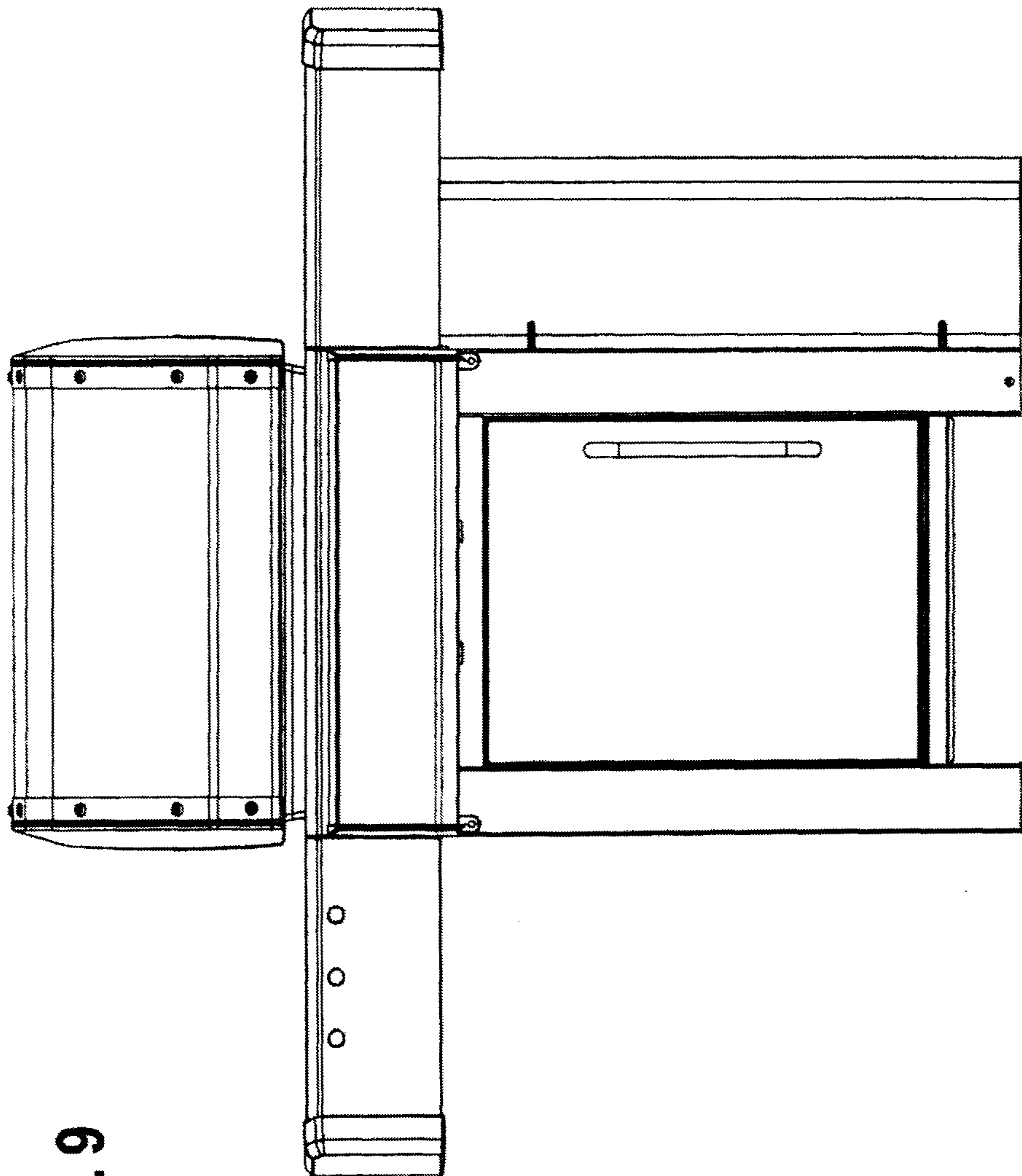


Fig. 9

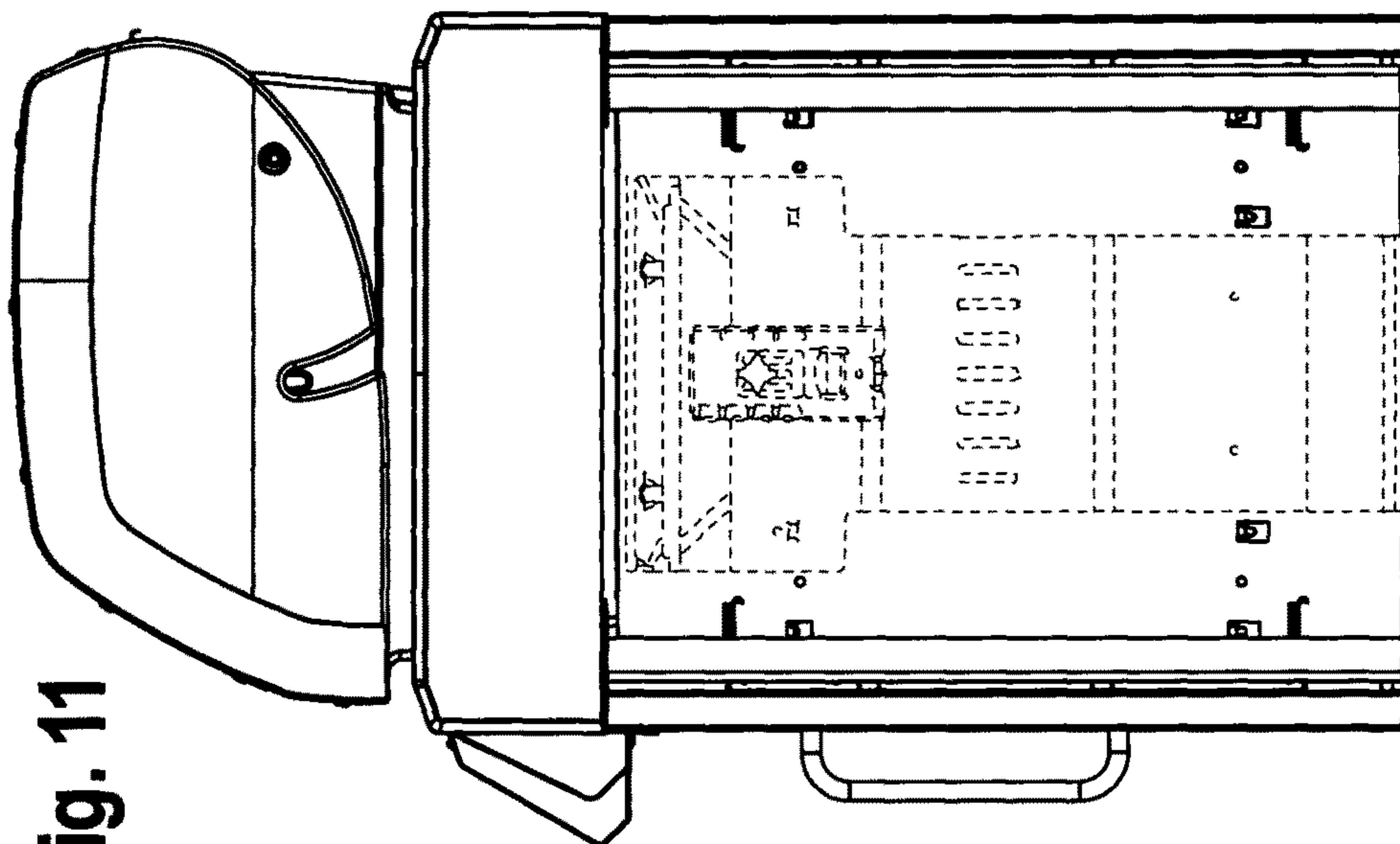


Fig. 11

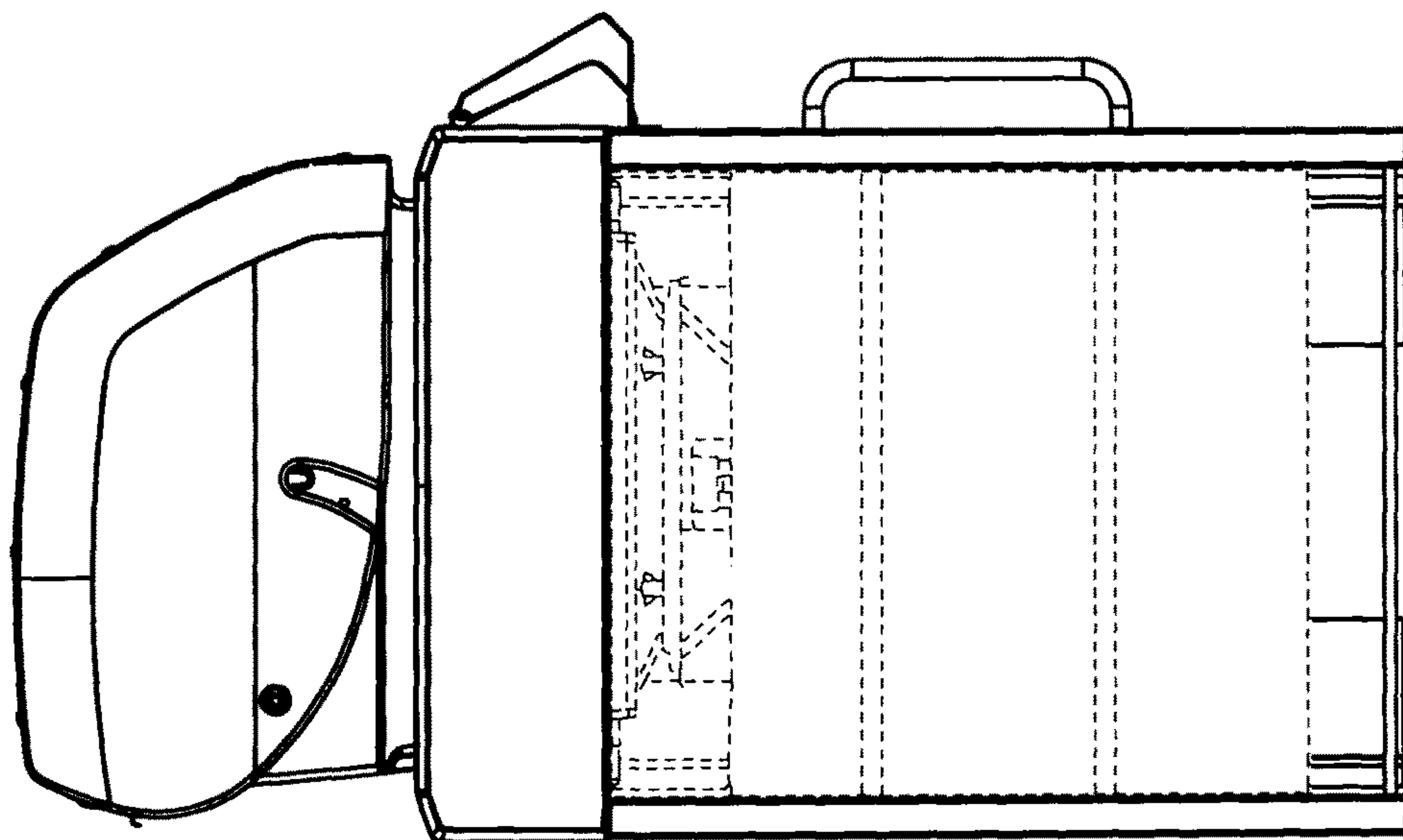
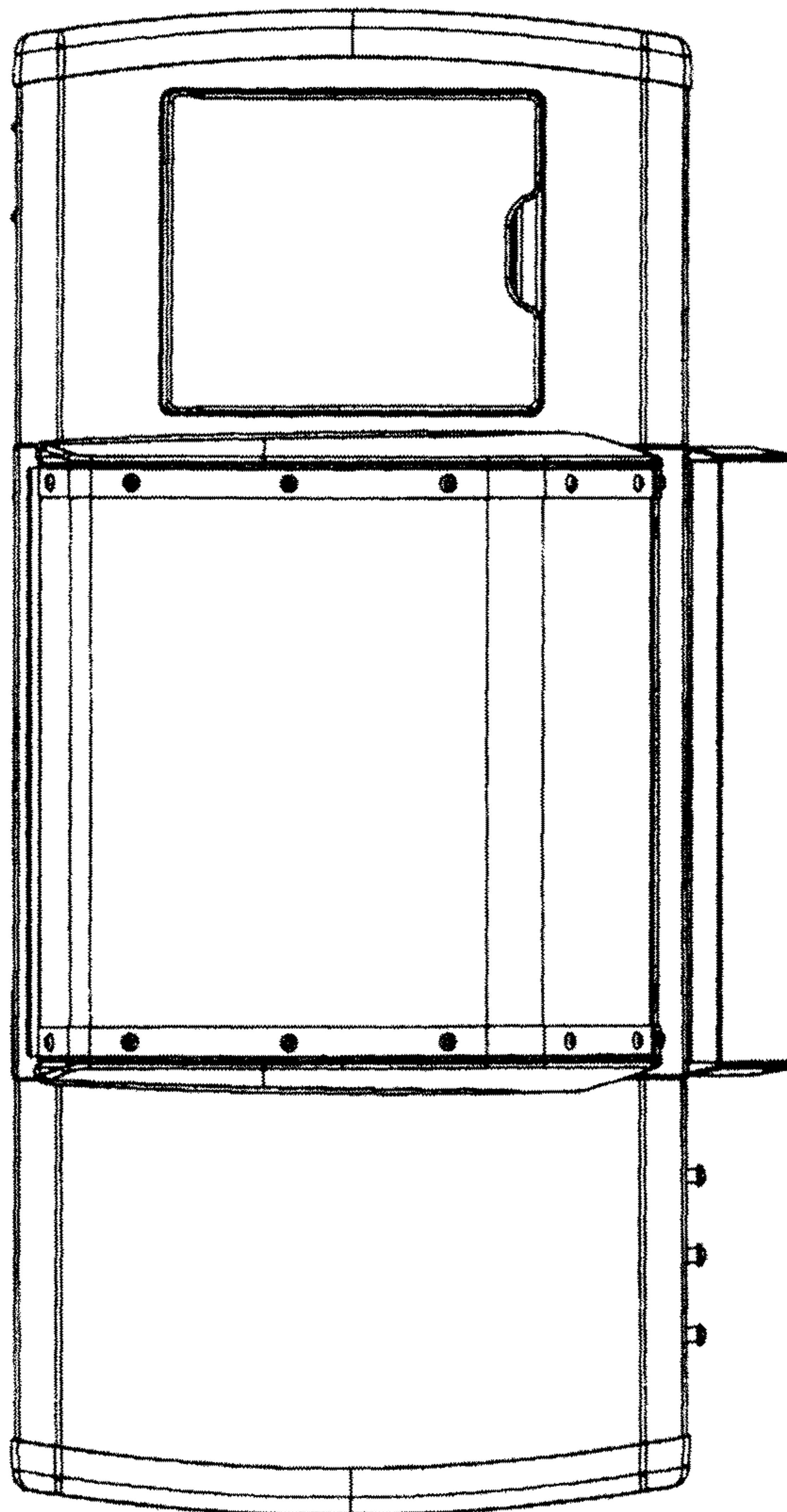


Fig. 10

Fig. 12



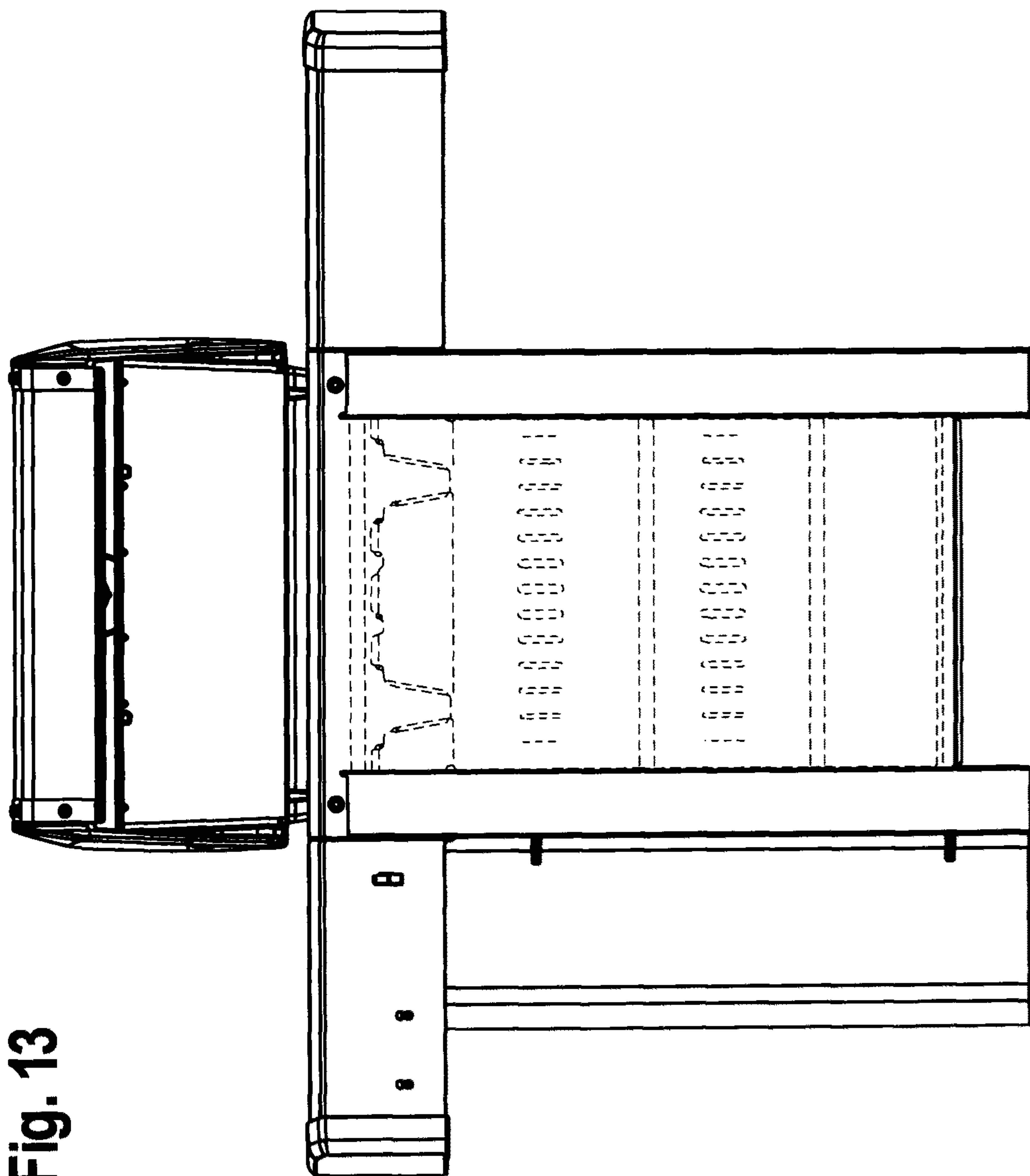


Fig. 13

Fig. 14

