



US00D809327S

(12) **United States Design Patent**  
**Chalk et al.**

(10) **Patent No.:** **US D809,327 S**

(45) **Date of Patent:** **\*\* Feb. 6, 2018**

(54) **TOASTER**

(71) Applicant: **Breville Pty Limited**, Alexandria, NSW (AU)

(72) Inventors: **Simon James Chalk**, Redfern (AU);  
**James George Morton**, Roseville (AU)

(73) Assignee: **Breville Pty Limited**, Alexandria (AU)

(\*\*) Term: **15 Years**

(21) Appl. No.: **29/582,191**

(22) Filed: **Oct. 25, 2016**

(30) **Foreign Application Priority Data**

May 5, 2016 (AU) ..... 201612435

(51) **LOC (11) Cl.** ..... **07-02**

(52) **U.S. Cl.**  
USPC ..... **D7/330**

(58) **Field of Classification Search**

USPC ..... D7/323, 328-330, 390

CPC ... A21B 2/00; A47J 37/00; A47J 37/06; A47J

37/0611; A47J 37/08; A47J 37/0807;

A47J 37/0814; A47J 37/0835; A47J

37/0842; A47J 37/085; A47J 37/0864;

A47J 37/0878; A47J 37/0885; A47J

37/0892; F24C 15/10; F24C 15/102

See application file for complete search history.

(56) **References Cited**

**U.S. PATENT DOCUMENTS**

D509,702 S \* 9/2005 Picozza ..... D7/330

D523,683 S \* 6/2006 Guyett ..... D7/330

D567,570 S \* 4/2008 O'Loughlin ..... D7/330

D593,358 S \* 6/2009 Kim ..... D7/330

D622,092 S \* 8/2010 Picozza ..... D7/330

D640,893 S \* 7/2011 Lindquist ..... D7/330

D688,508 S \* 8/2013 Garman ..... D7/330

D688,509 S \* 8/2013 Carlson ..... D7/330

D701,720 S \* 4/2014 Palermo ..... D7/330

9,131,804 B2 \* 9/2015 Turner ..... A47J 37/0814

D746,093 S \* 12/2015 Bazzicalupo ..... D7/330

D746,624 S \* 1/2016 Sun ..... D7/330

D761,610 S \* 7/2016 Carpenter ..... D7/330

\* cited by examiner

*Primary Examiner* — Ricky Pham

(74) *Attorney, Agent, or Firm* — Moser Taboada

(57) **CLAIM**

The ornamental design for a toaster, as shown and described.

**DESCRIPTION**

FIG. 1 is a front perspective view of a toaster showing the new design;

FIG. 2 is a rear perspective view thereof;

FIG. 3 is a front view thereof;

FIG. 4 is a rear view thereof;

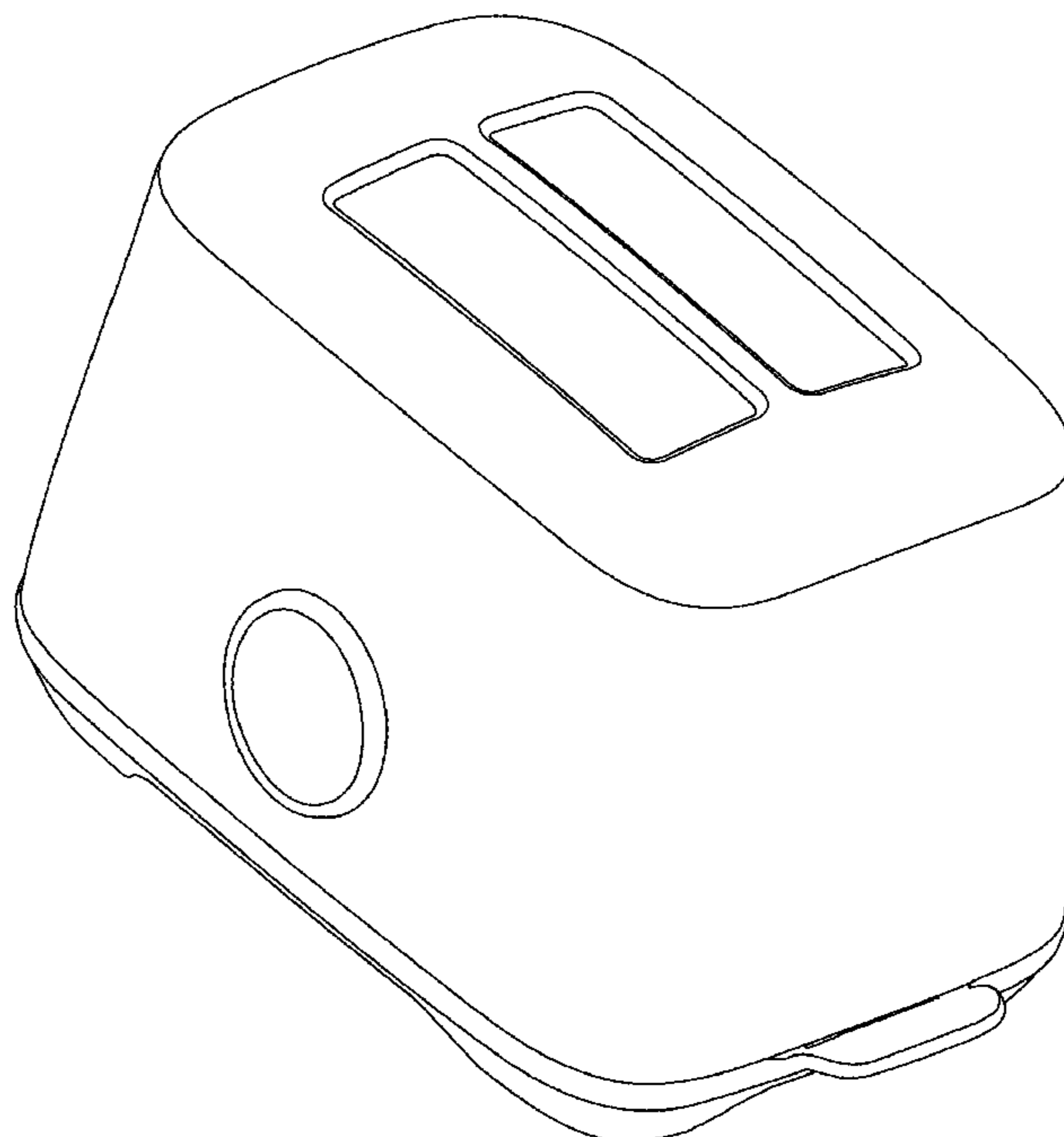
FIG. 5 is a left side view thereof;

FIG. 6 is a right side view thereof;

FIG. 7 is a top view thereof; and,

FIG. 8 is a bottom view thereof.

**1 Claim, 8 Drawing Sheets**



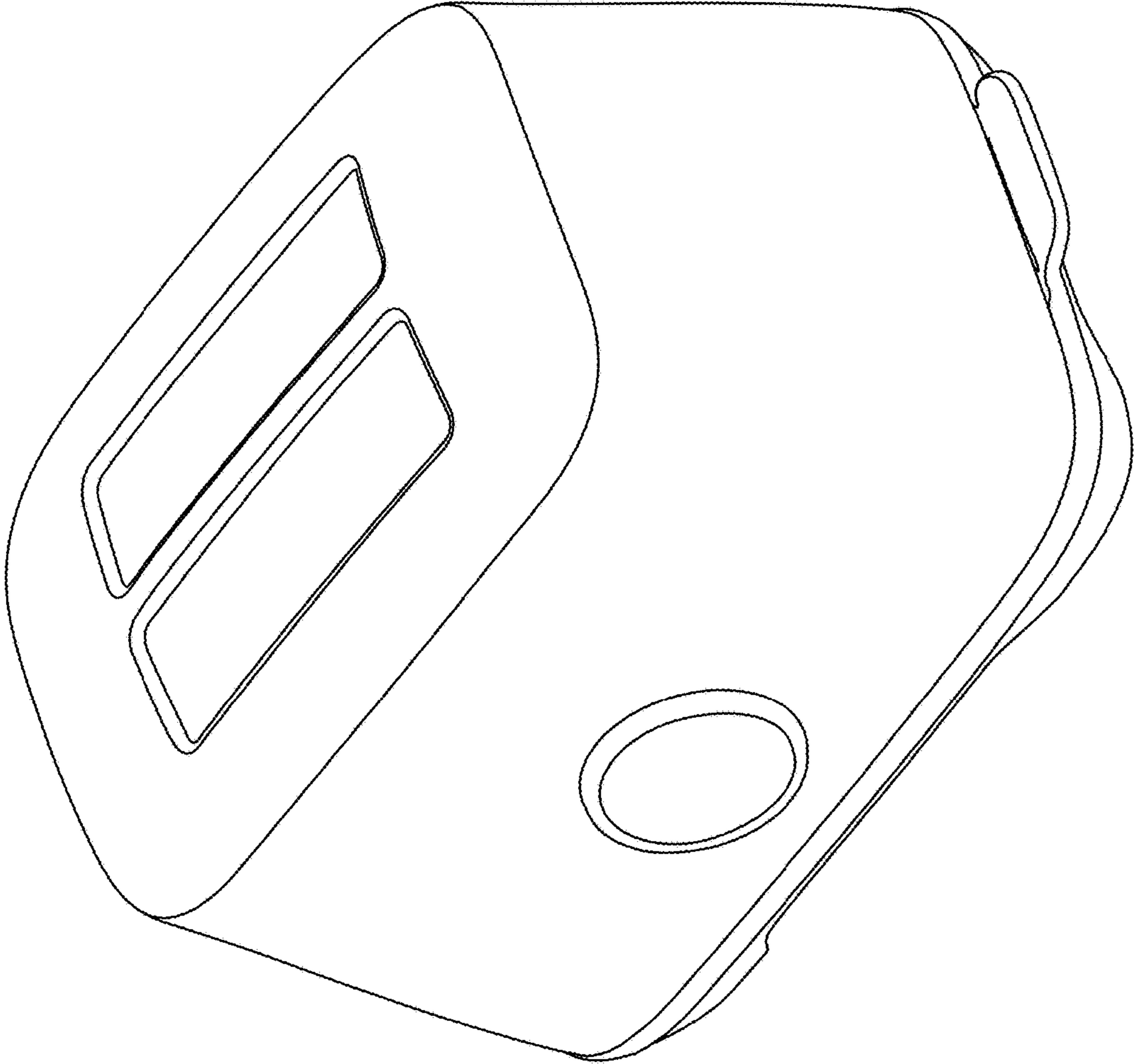


Figure 1

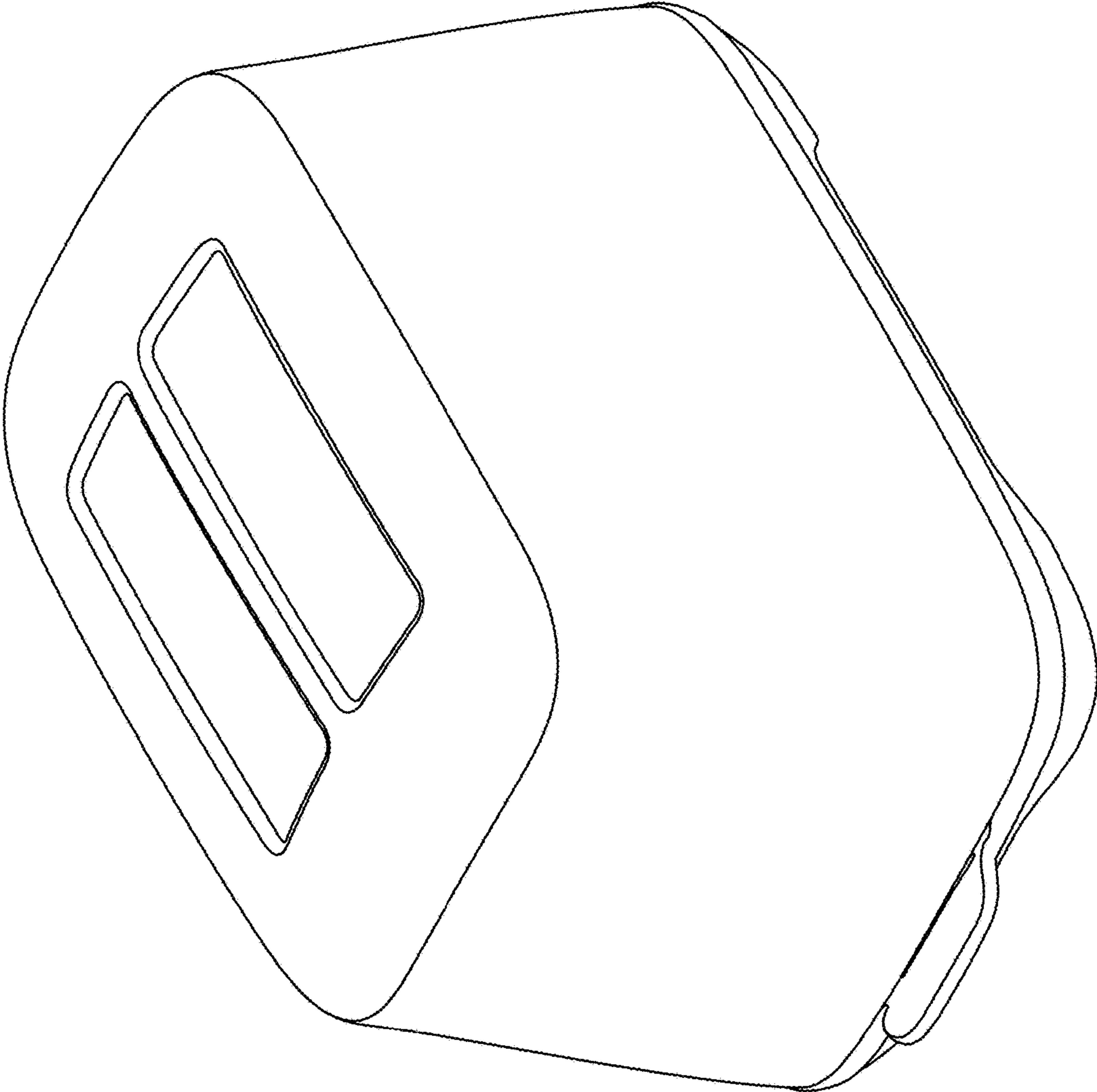
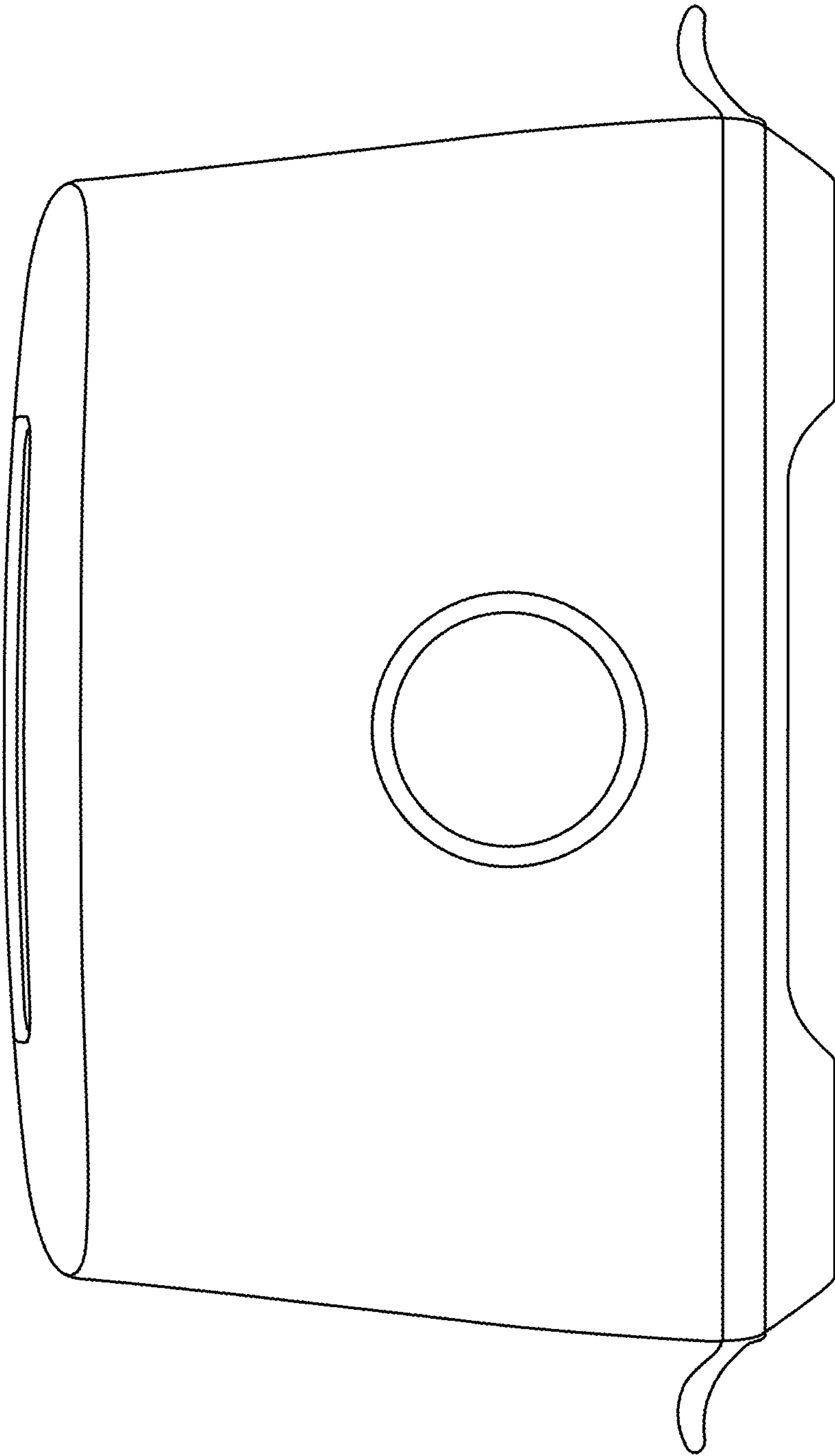
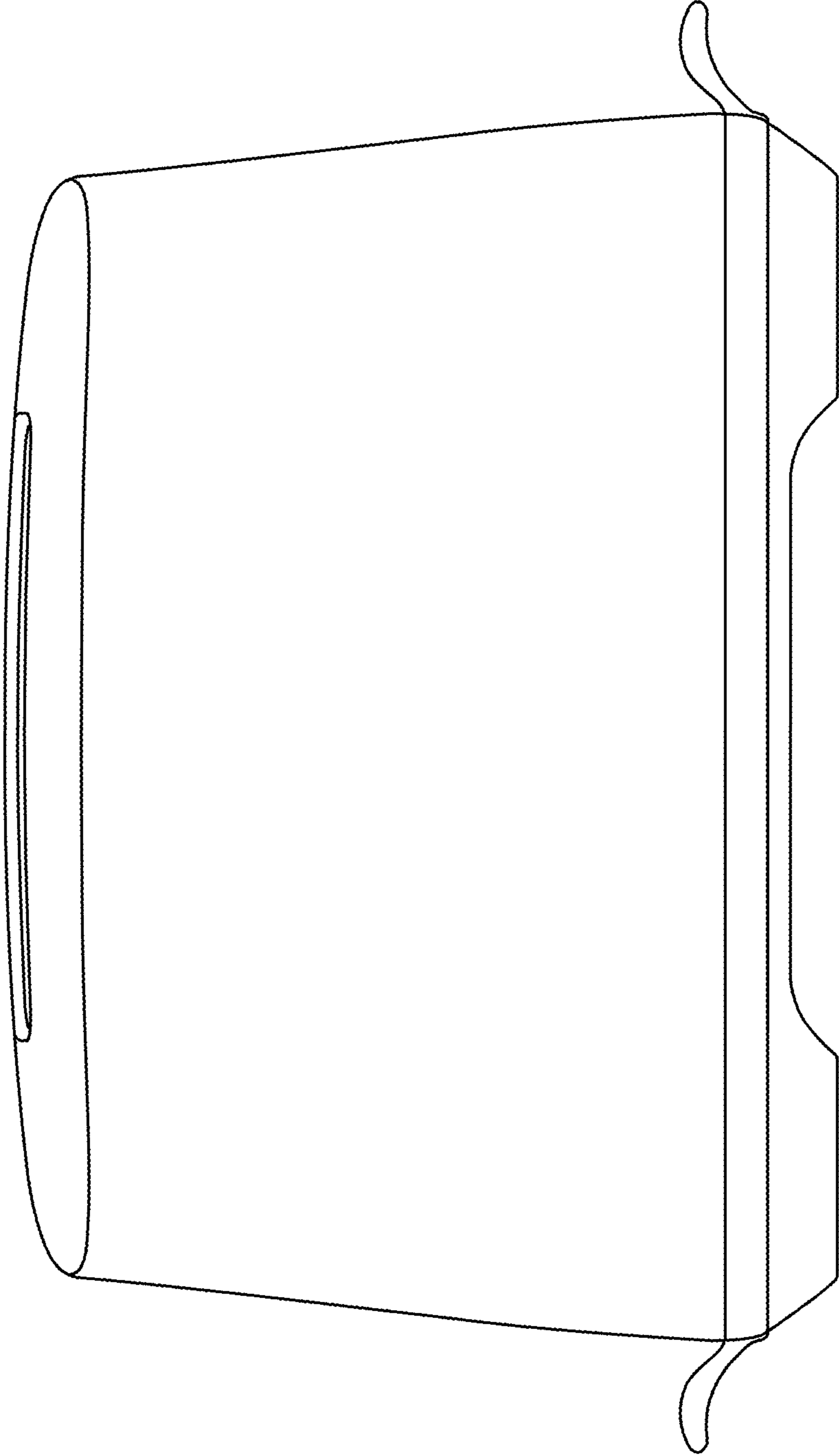


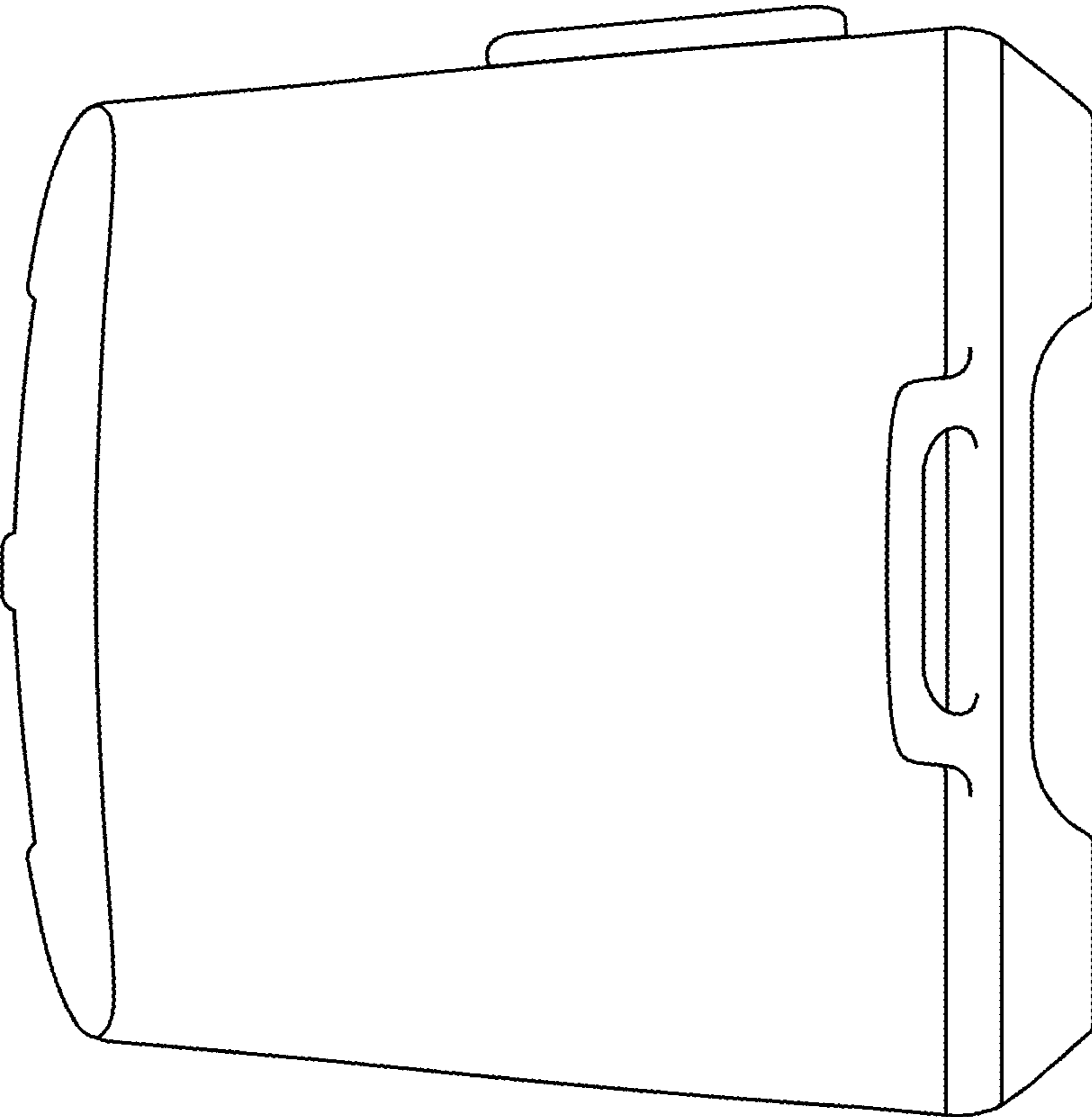
Figure 2



**Figure 3**



**Figure 4**



**Figure 5**

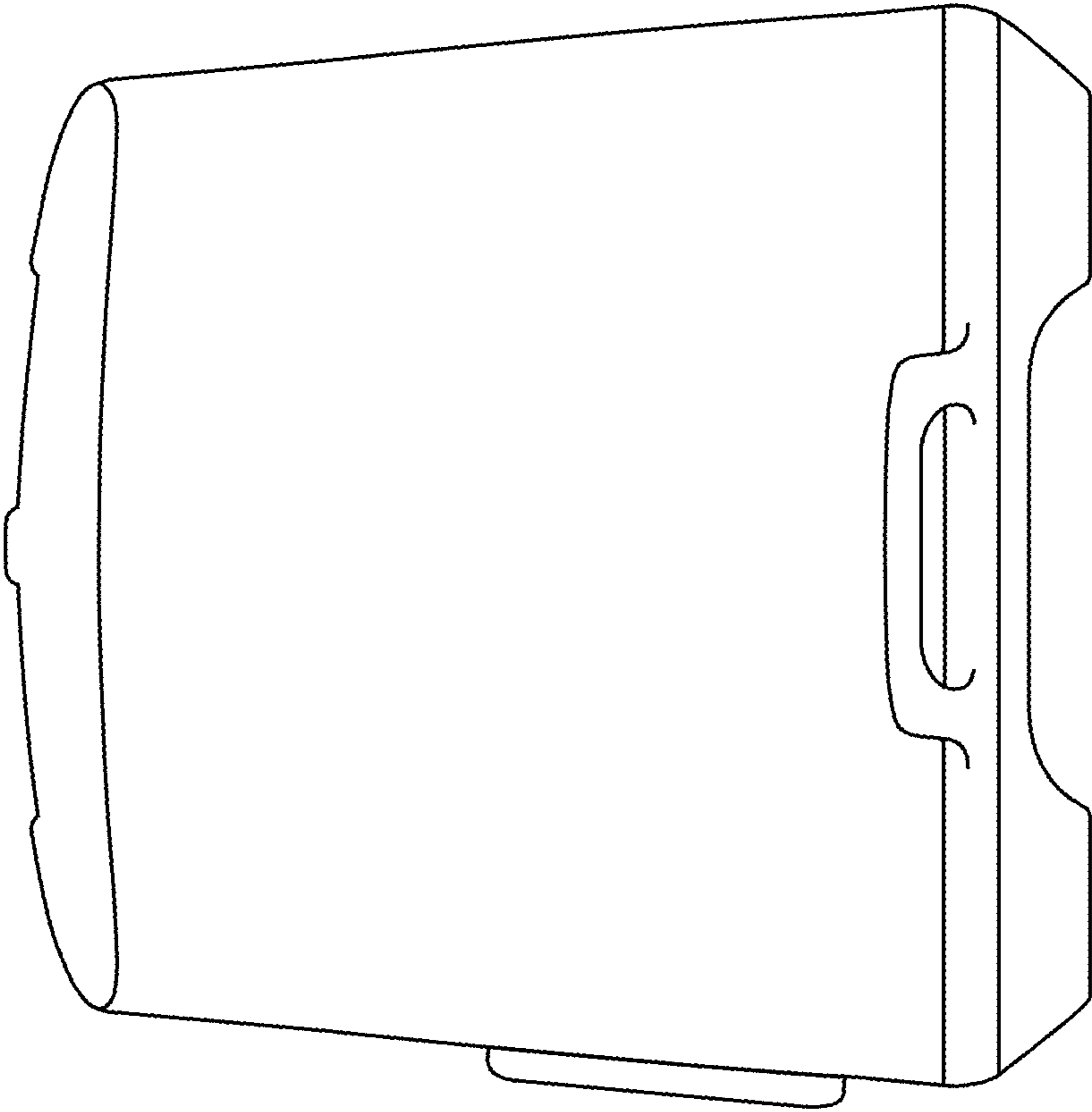
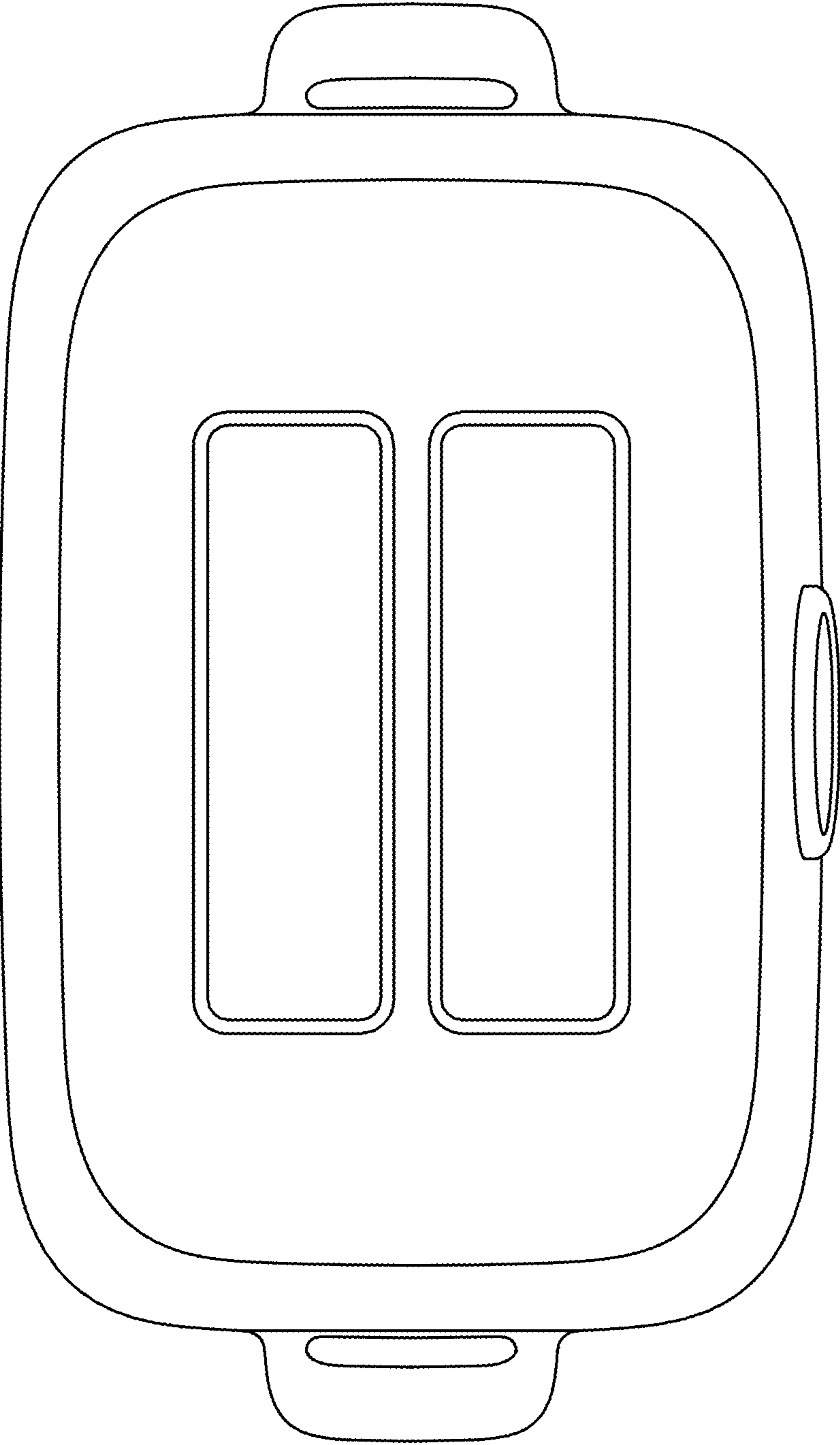
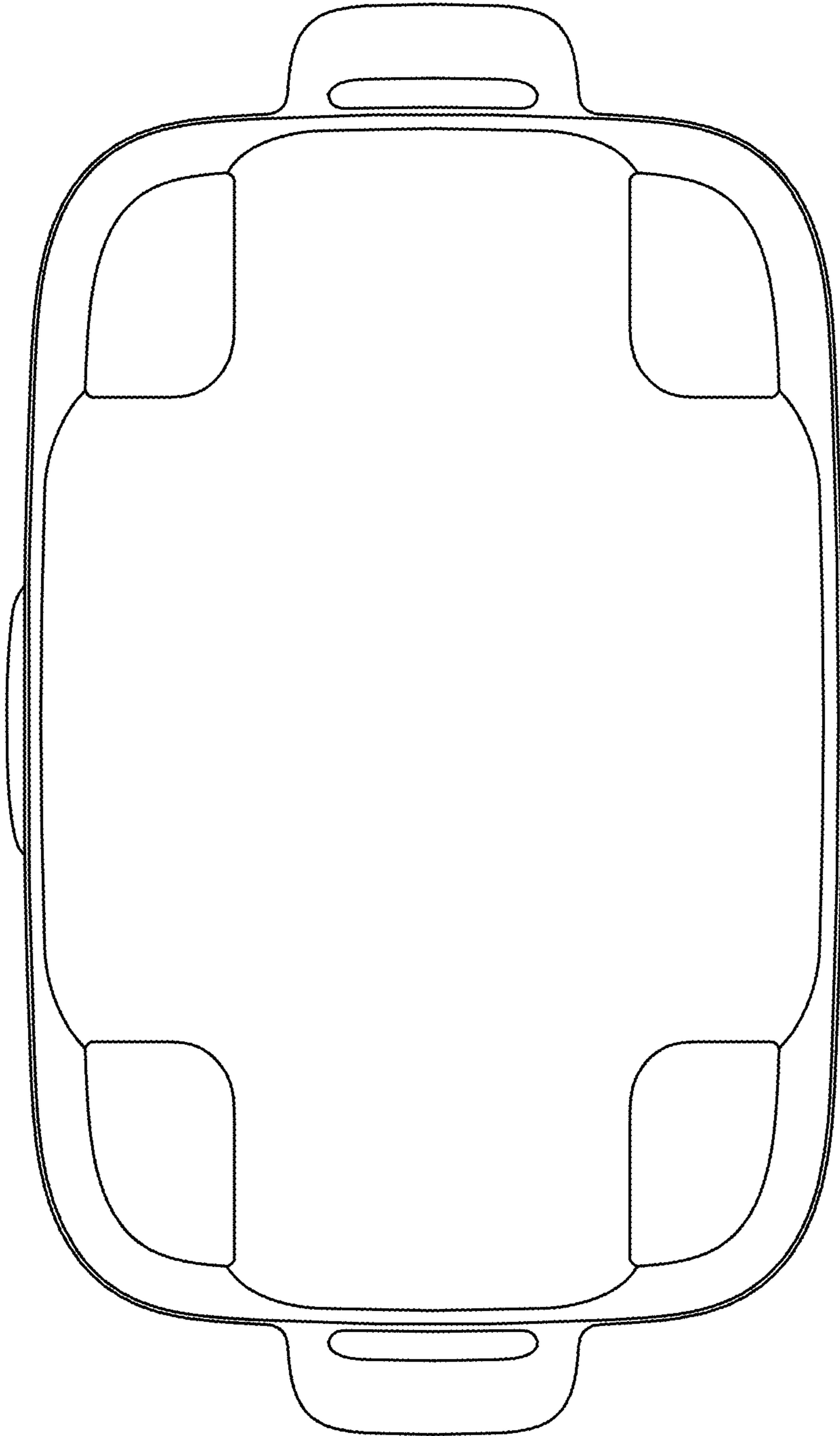


Figure 6



**Figure 7**





**Figure 8**