



US00D809324S

(12) **United States Design Patent**
Robins

(10) **Patent No.:** **US D809,324 S**

(45) **Date of Patent:** **** Feb. 6, 2018**

- (54) **EASEL**
- (71) Applicant: **Bruce Robins**, Merion Station, PA (US)
- (72) Inventor: **Bruce Robins**, Merion Station, PA (US)
- (73) Assignee: **HASKELL OFFICE**, Bala Cynwyd, PA (US)
- (**) Term: **15 Years**
- (21) Appl. No.: **29/569,609**
- (22) Filed: **Jun. 29, 2016**
- (51) **LOC (11) Cl.** **20-02**
- (52) **U.S. Cl.**
USPC **D6/675.4**; D19/113
- (58) **Field of Classification Search**
USPC ... D6/310, 312, 675-675.4, 678-678.4, 682, D6/572; D19/113
CPC A47F 7/144; A47F 7/163
See application file for complete search history.

- 3,149,727 A * 9/1964 Magers A47F 7/144
211/133.1
- 3,173,386 A 3/1965 Magers
- 3,190,603 A 6/1965 Finnemann
- 3,467,259 A 9/1969 Silver
- D217,159 S * 4/1970 Levy D6/678.3
- 3,534,863 A * 10/1970 Howard A47F 7/163
211/133.1
- D244,818 S * 6/1977 Schweitzer D6/572
- 4,098,009 A 7/1978 Flynn
- D251,695 S 4/1979 Miller et al.
- 4,197,673 A 4/1980 Thomas
- 4,197,950 A * 4/1980 Ovitz, III A47F 7/163
211/134
- D258,790 S * 4/1981 Ovitz, III D6/682
(Continued)

Primary Examiner — Caron D Veynar
Assistant Examiner — Melvin L Davis
 (74) *Attorney, Agent, or Firm* — Law Offices of Robert F. Zielinski, LLC

(57) **CLAIM**

The ornamental design for an easel, as shown and described.

(56) **References Cited**

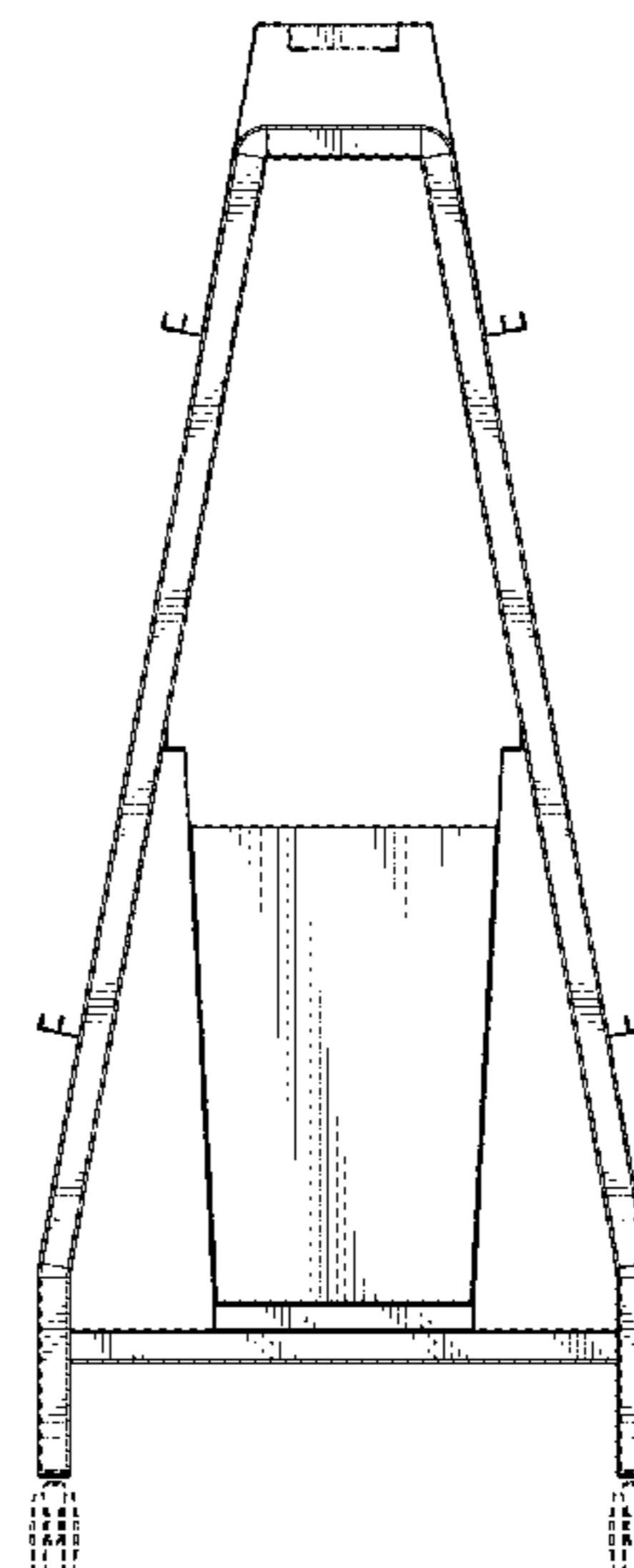
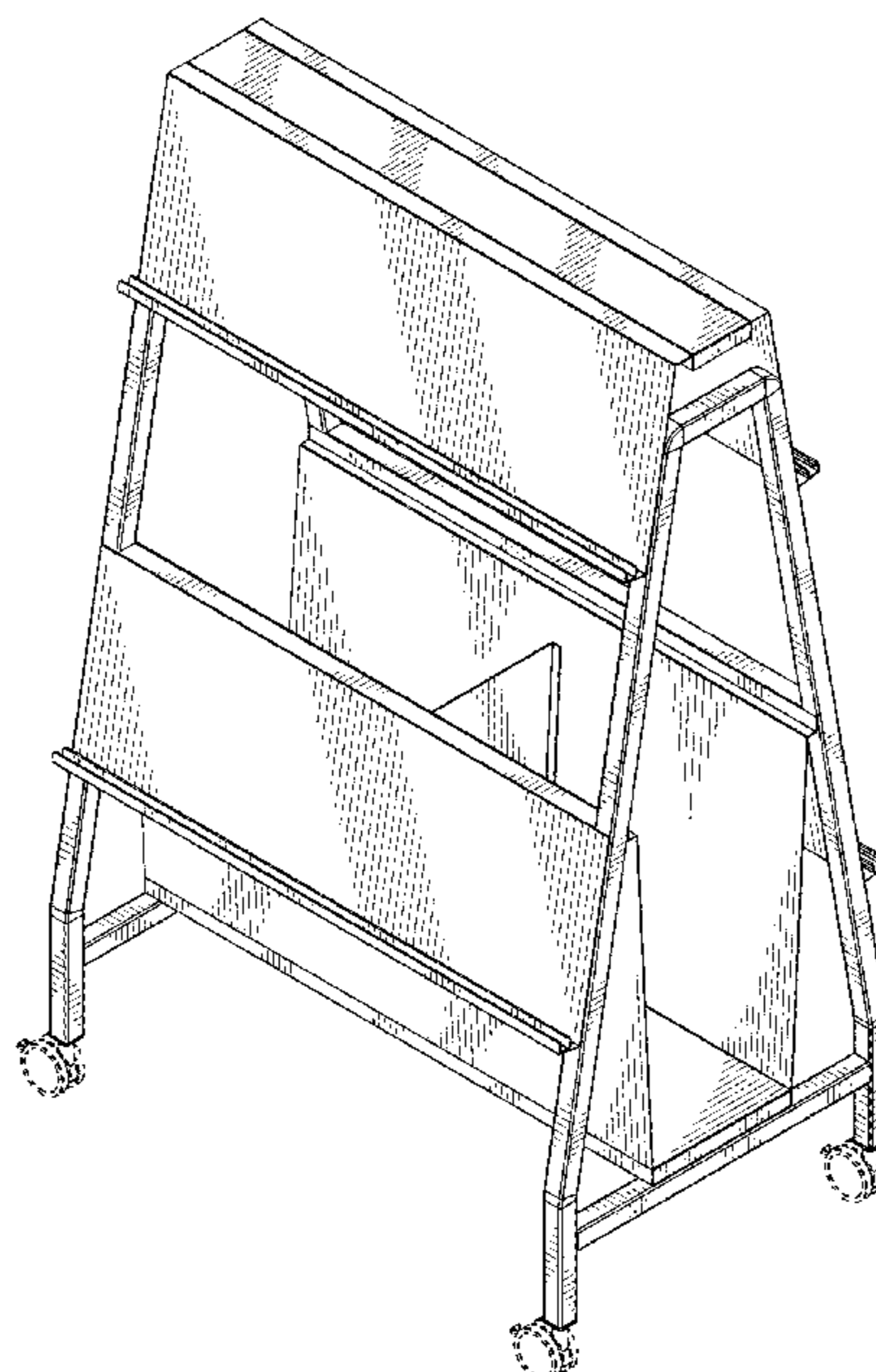
U.S. PATENT DOCUMENTS

- 396,191 A 10/1888 Ritterhouse
- 392,565 A 11/1888 Larew
- 549,630 A 11/1895 Cole
- 1,664,036 A 3/1928 Jarvis
- 1,680,056 A 8/1928 Mathias
- 1,810,826 A 6/1931 Gray
- 1,877,669 A 9/1932 Herman
- 1,989,216 A 1/1935 Shaw et al.
- 2,002,128 A 5/1935 Reidenbaugh
- 2,016,421 A 10/1935 Eichner
- 2,485,517 A 10/1949 Vaule et al.
- D175,034 S * 6/1955 Mohr D6/678.3
- 2,833,550 A 5/1958 Frick
- 2,902,239 A 9/1959 Janecka, Jr.
- 2,981,030 A 4/1961 Knop

DESCRIPTION

FIG. 1 is a top, front, left side perspective view of the easel embodying my new design.
 FIG. 2 is a front side elevational view thereof;
 FIG. 3 is a rear side elevational view thereof;
 FIG. 4 is a left side elevational view thereof;
 FIG. 5 is a right side elevational view thereof;
 FIG. 6 is a top plan view thereof; and,
 FIG. 7 is a bottom plan view thereof.
 The nature of this product is an easel for supporting, storing and displaying tablet-like objects in non-coplanar manner. The broken line showing of portions of the design form no part of the claimed design.

1 Claim, 7 Drawing Sheets



(56)

References Cited

U.S. PATENT DOCUMENTS

4,824,064	A	4/1989	Oncale	
4,971,284	A	11/1990	Curry	
D319,926	S	9/1991	Solomon	
5,094,352	A	3/1992	Green et al.	
D330,104	S *	10/1992	Ackley	D34/17
5,273,249	A	12/1993	Grander	
D369,833	S	5/1996	Egan et al.	
5,553,724	A *	9/1996	Moher	A47F 7/0064 211/150
D380,232	S	6/1997	Egan et al.	
D401,279	S	11/1998	Thorp et al.	
D401,625	S	11/1998	Verbeek	
D404,208	S	1/1999	Beno	
5,899,429	A	5/1999	McCloud	
5,941,713	A	8/1999	Wayner et al.	
D417,536	S	12/1999	Sum	
D418,694	S *	1/2000	McColskey	D6/675.4
D431,910	S	10/2000	Glass	
6,837,385	B2	1/2005	Bennett et al.	
6,880,278	B1	4/2005	Connors	
6,955,130	B2	10/2005	Phillips	
6,966,136	B2	11/2005	Connors	
D541,078	S *	4/2007	Flaum	D6/678.3
7,325,343	B2	2/2008	Seiber et al.	
7,441,358	B1	10/2008	Ngan	
7,581,650	B1 *	9/2009	Shen	A47F 7/145 211/55
D612,171	S *	3/2010	Wade	D6/629
D613,963	S	4/2010	Eckenswiller	
D626,763	S	11/2010	Koh	
7,857,277	B2	12/2010	Bertrand	
7,886,916	B2	2/2011	Alyn	
2003/0150828	A1	8/2003	Bennett et al.	

* cited by examiner

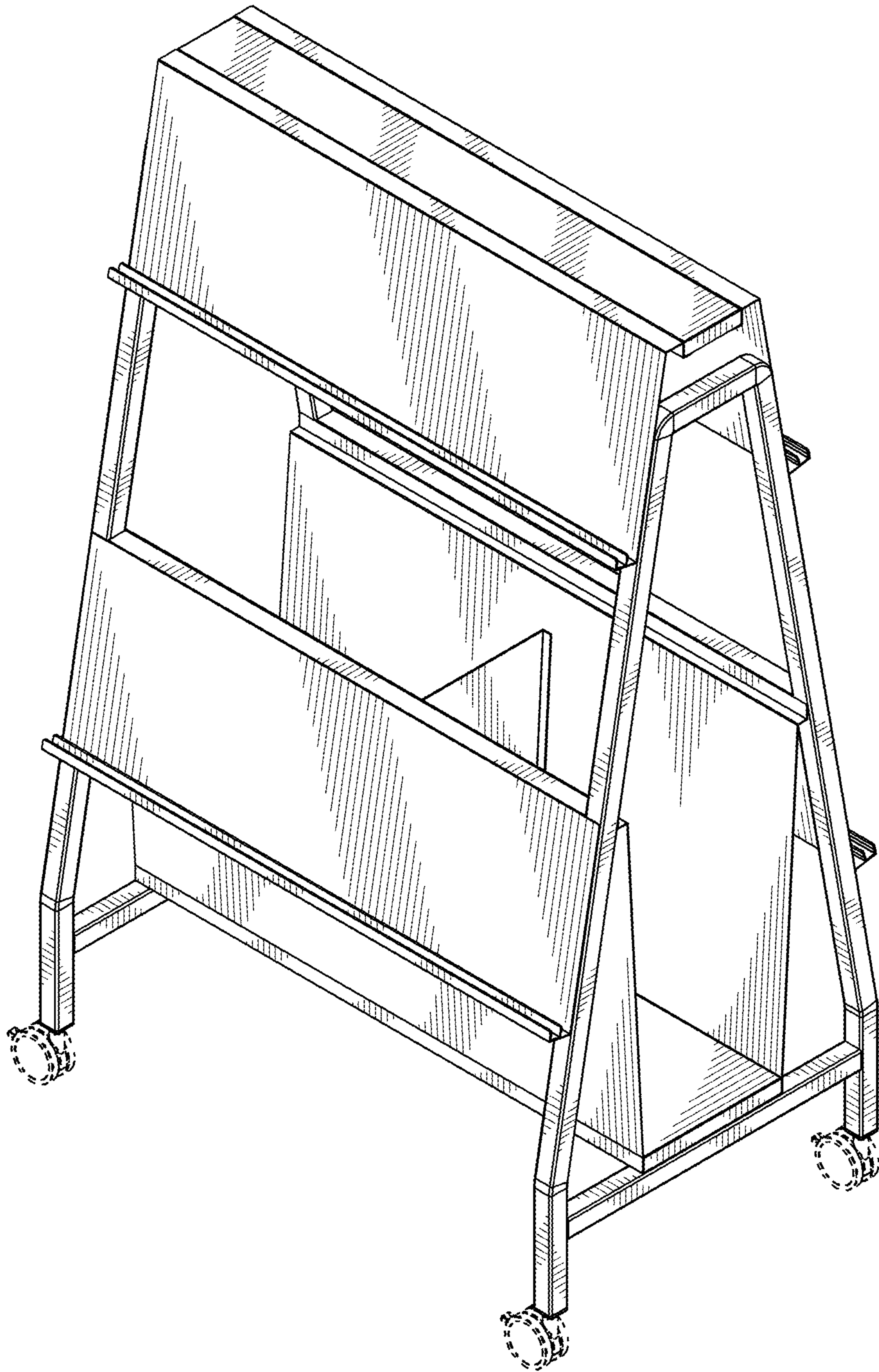


FIG. 1

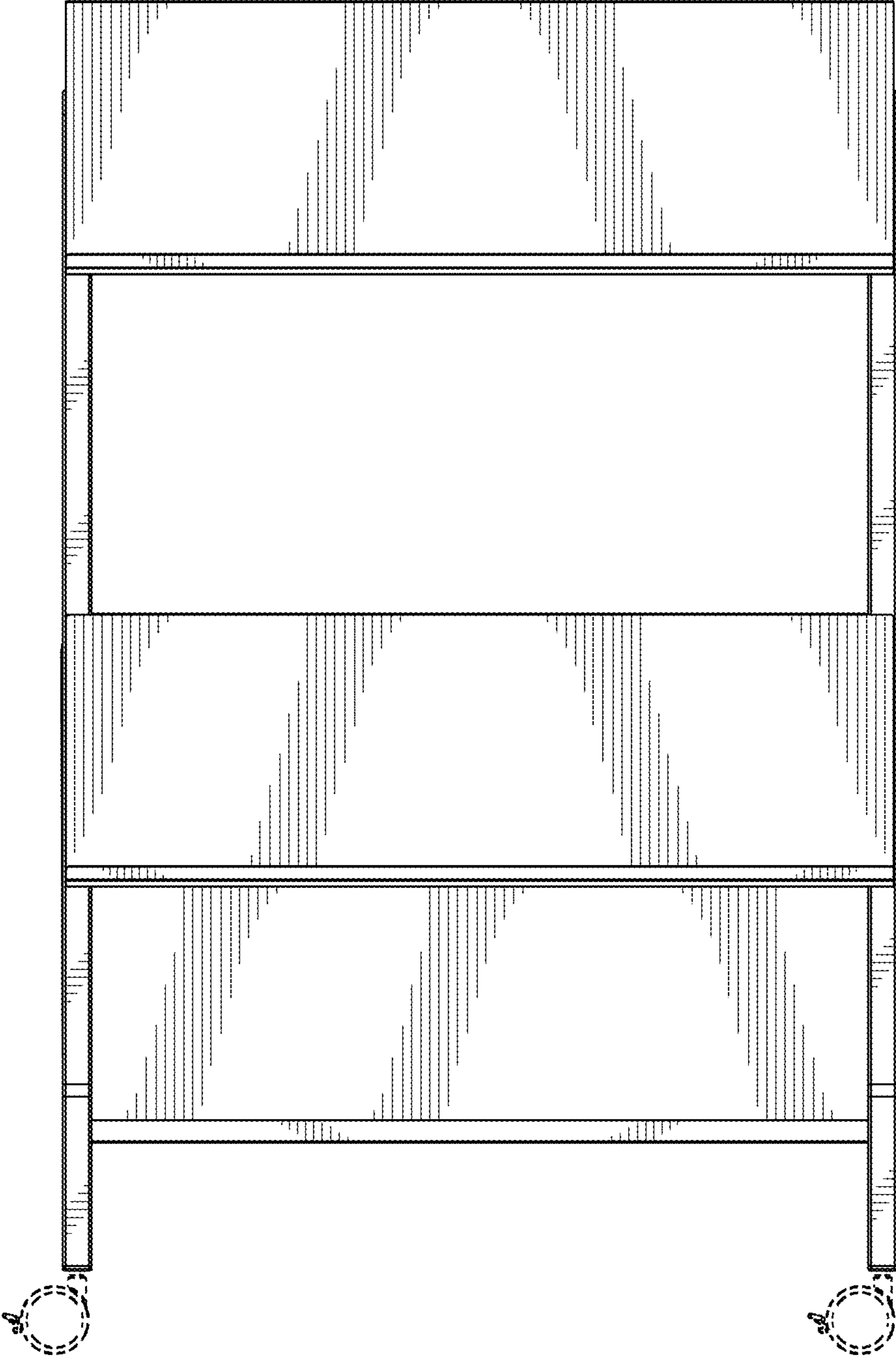


FIG. 2

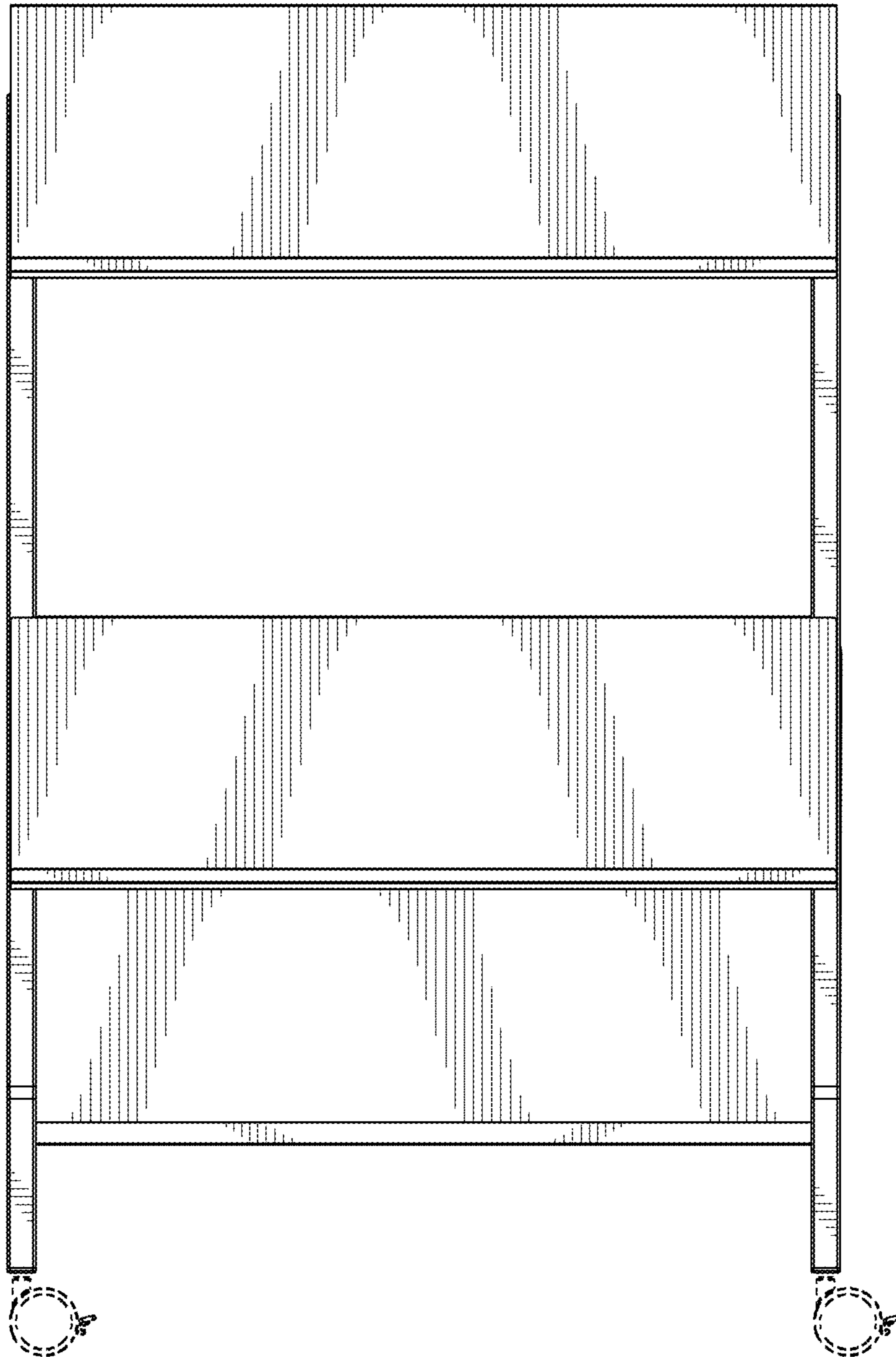


FIG. 3

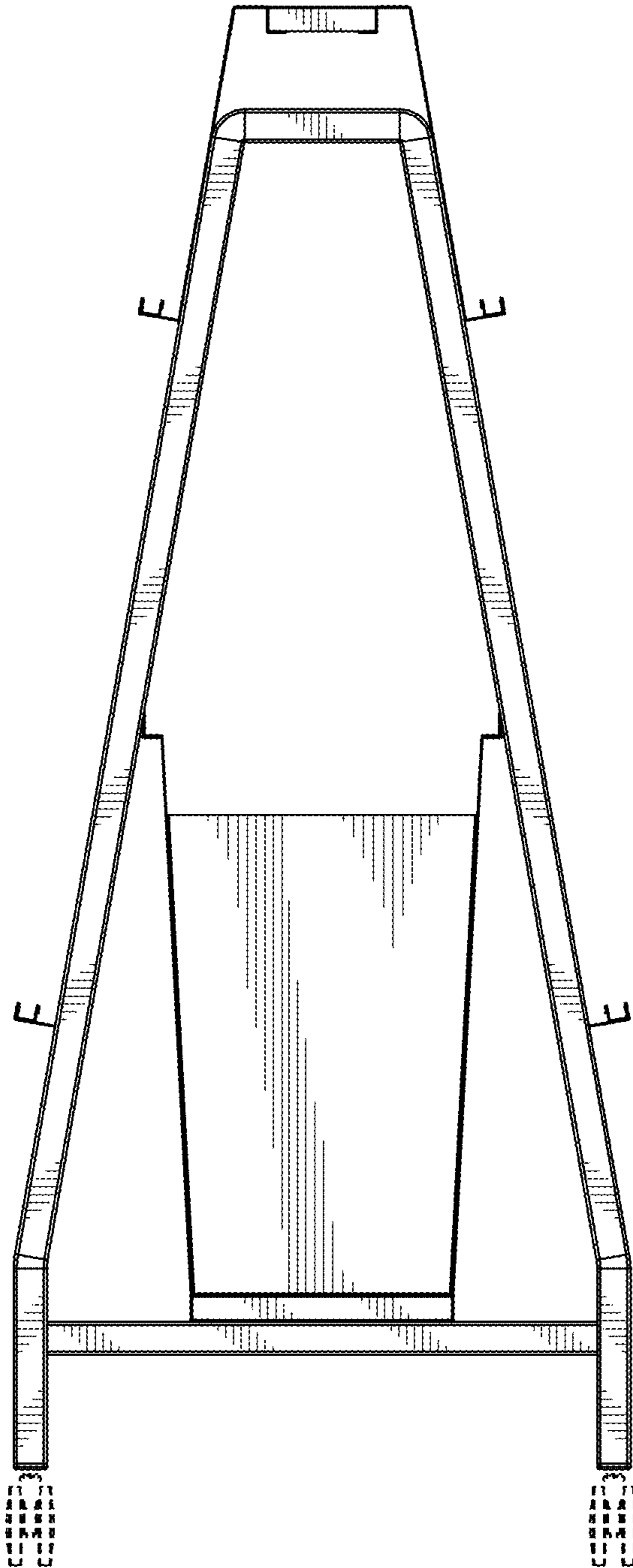


FIG. 4

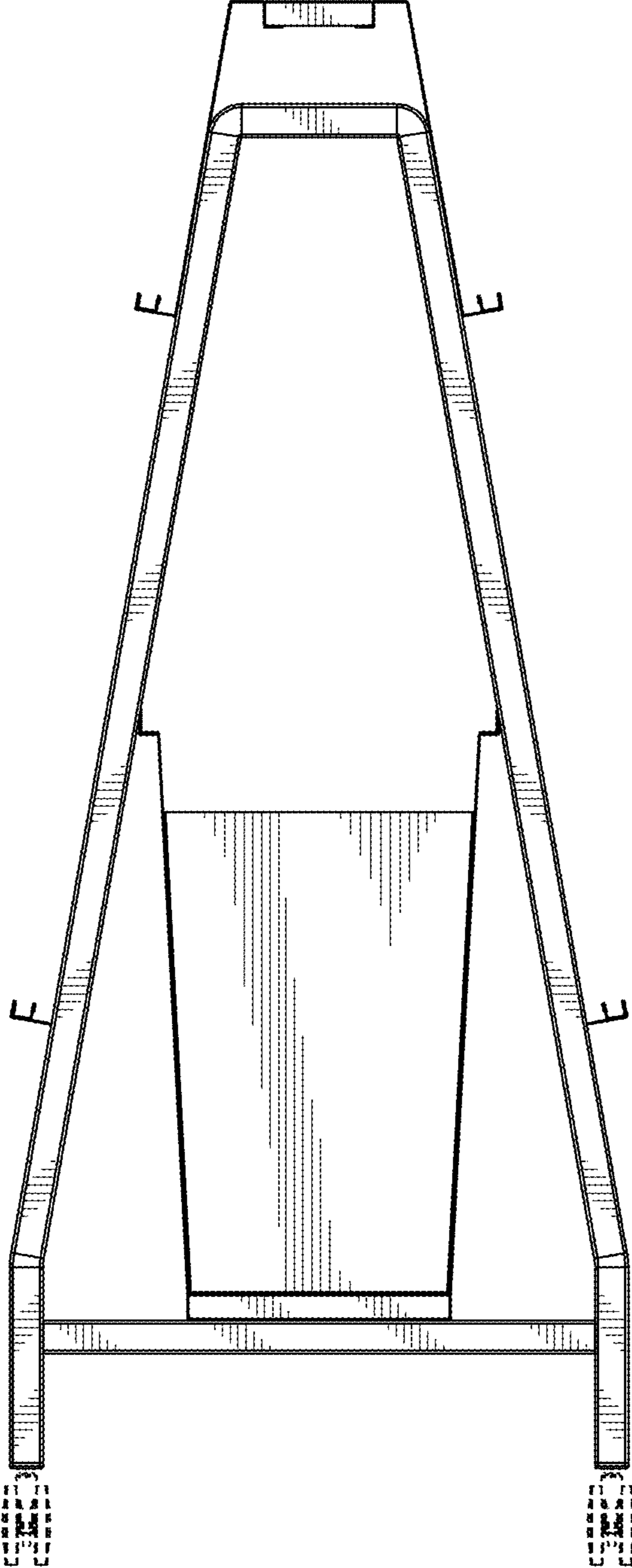


FIG. 5

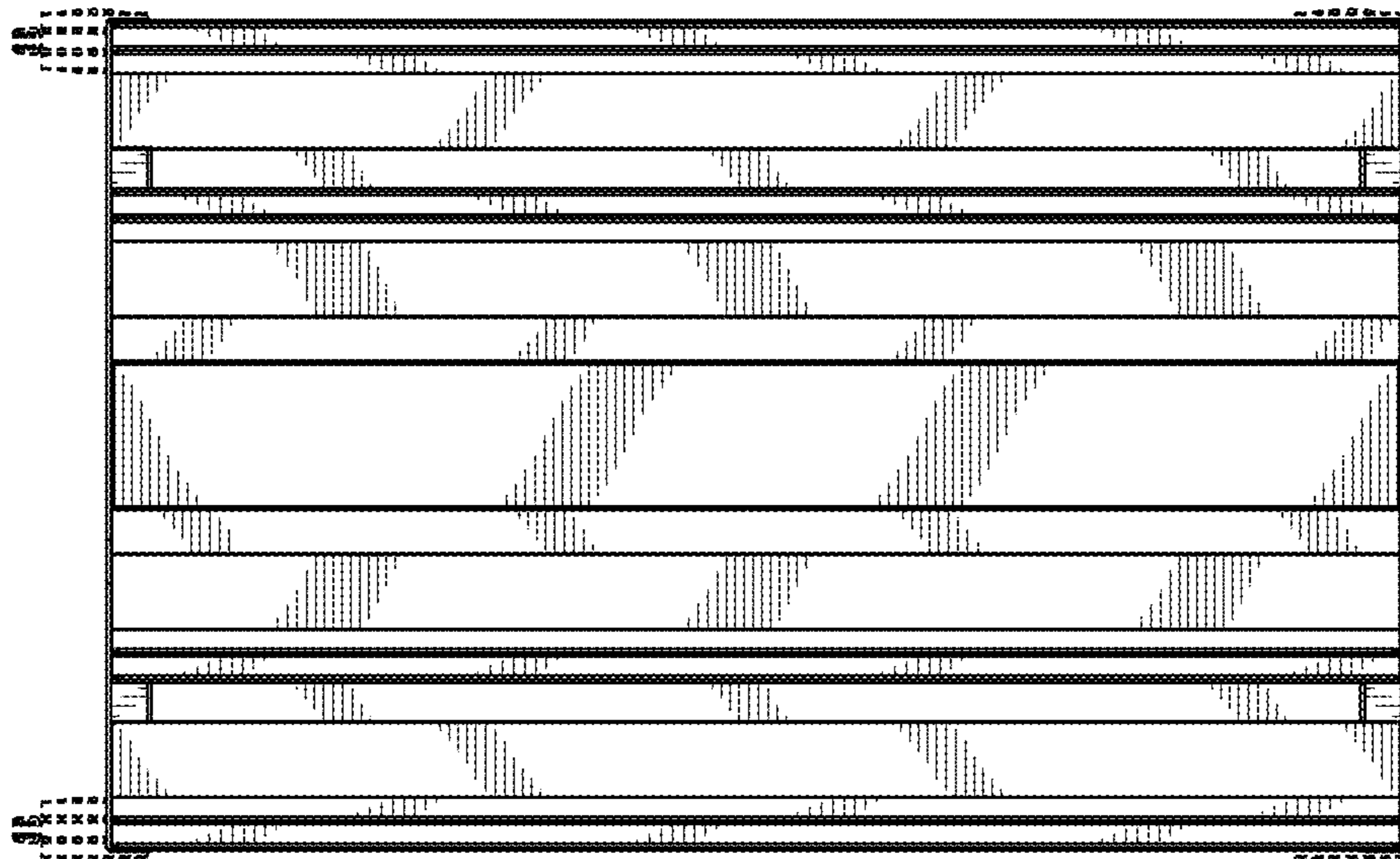


FIG. 6

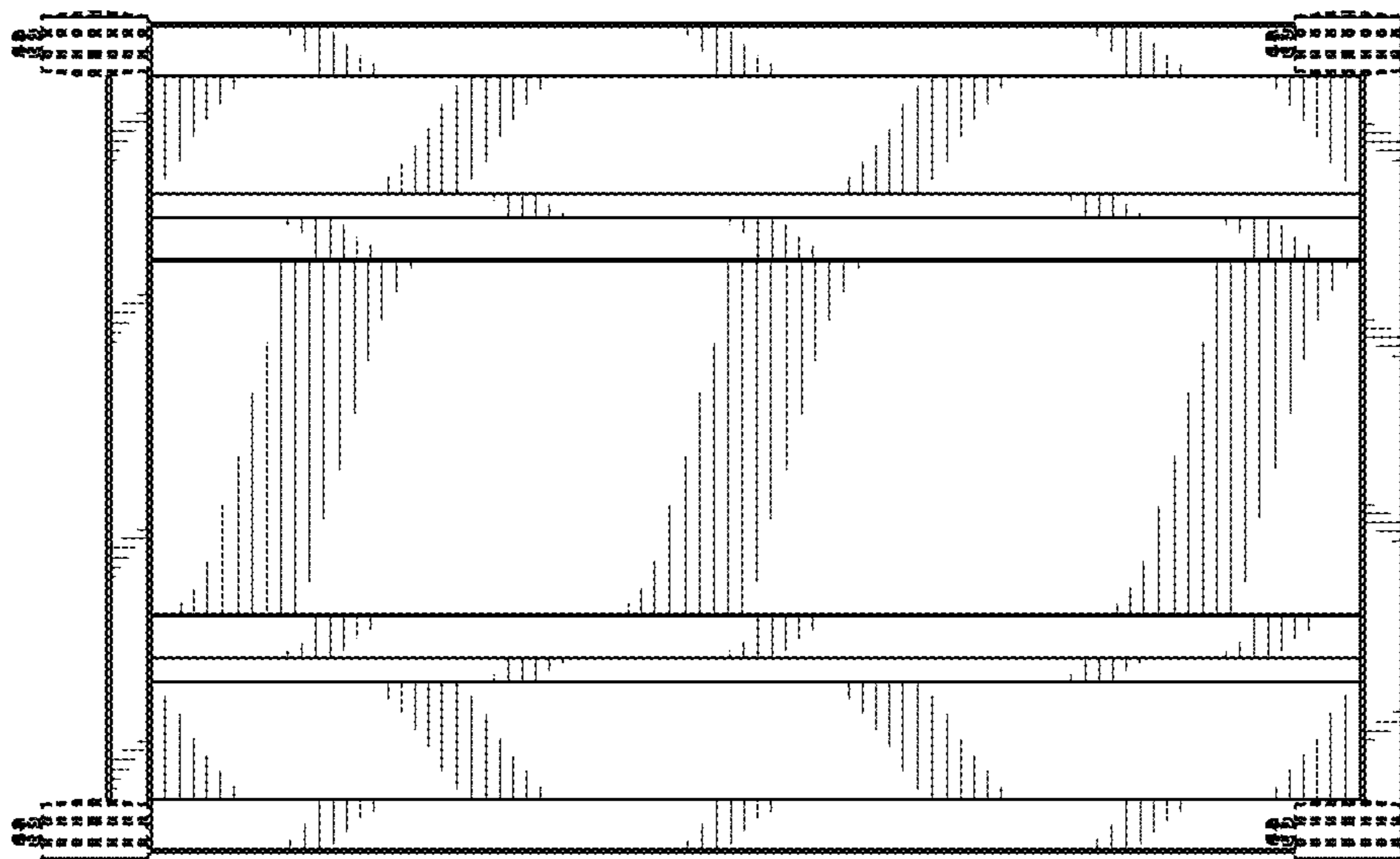


FIG. 7