



US00D809323S

(12) **United States Design Patent** (10) **Patent No.:** **US D809,323 S**
Kroll (45) **Date of Patent:** **** Feb. 6, 2018**

(54) **CROSS-SHAPED DISPLAY STAND**

D296,843 S * 7/1988 Jessop D6/314
D313,050 S * 12/1990 Burgess D20/40
D320,622 S * 10/1991 Yasika D20/18

(71) Applicant: **William F. Kroll**, Northbrook, IL (US)

(Continued)

(72) Inventor: **William F. Kroll**, Northbrook, IL (US)

Primary Examiner — John Windmuller

(**) Term: **15 Years**

Assistant Examiner — Steven Czyz

(21) Appl. No.: **29/591,360**

(74) *Attorney, Agent, or Firm* — Mark D. Bowen; Malin
Haley DiMaggio & Bowen, P.A.

(22) Filed: **Jan. 19, 2017**

(57) **CLAIM**

Related U.S. Application Data

The ornamental design for a cross-shaped display stand, as shown and described.

(60) Continuation-in-part of application No. 29/545,994, filed on Nov. 18, 2015, now Pat. No. Des. 776,962, which is a division of application No. 29/520,824, filed on Mar. 18, 2015, now Pat. No. Des. 746,086, which is a continuation-in-part of application No. 29/475,451, filed on Dec. 3, 2013, now Pat. No. Des. 745,793.

DESCRIPTION

(51) **LOC (11) Cl.** **06-04**

FIG. 1 is a top front perspective view of an embodiment of a cross-shaped display stand in accordance with the present invention;

(52) **U.S. Cl.**

FIG. 2 is a bottom rear perspective view thereof;

USPC **D6/674**

FIG. 3 is a front view thereof;

(58) **Field of Classification Search**

FIG. 4 is a rear view thereof;

USPC D6/303, 310, 314, 332, 672, 674, 674.1, D6/680.2; D11/96, 121, 122, 125, 131, D11/157, 175; D19/90, 91; D20/15, 29, D20/40

FIG. 5 is a right side view thereof, with the left side view being a mirror image;

CPC .. A47F 3/00; A47F 5/00; A47G 33/00; A47G 33/002; A47G 33/004; A47G 33/008; A47G 33/02; F16B 12/12; F16B 12/14

FIG. 6 is a top view thereof;

See application file for complete search history.

FIG. 7 is a bottom view thereof;

(56) **References Cited**

FIG. 8 is a top front perspective view of another embodiment of a cross-shaped display stand in accordance with the present invention;

U.S. PATENT DOCUMENTS

D160,900 S * 11/1950 Suhren et al. D11/122
D168,686 S * 1/1953 Hunter et al. D6/515
D256,398 S * 8/1980 Mitchell D99/25
D272,547 S * 2/1984 Gordon D19/91
D277,196 S * 1/1985 Eason D20/15
D284,777 S * 7/1986 Anthony D19/91

FIG. 9 is a bottom rear perspective view thereof;

FIG. 10 is a front view thereof;

FIG. 11 is a rear view thereof;

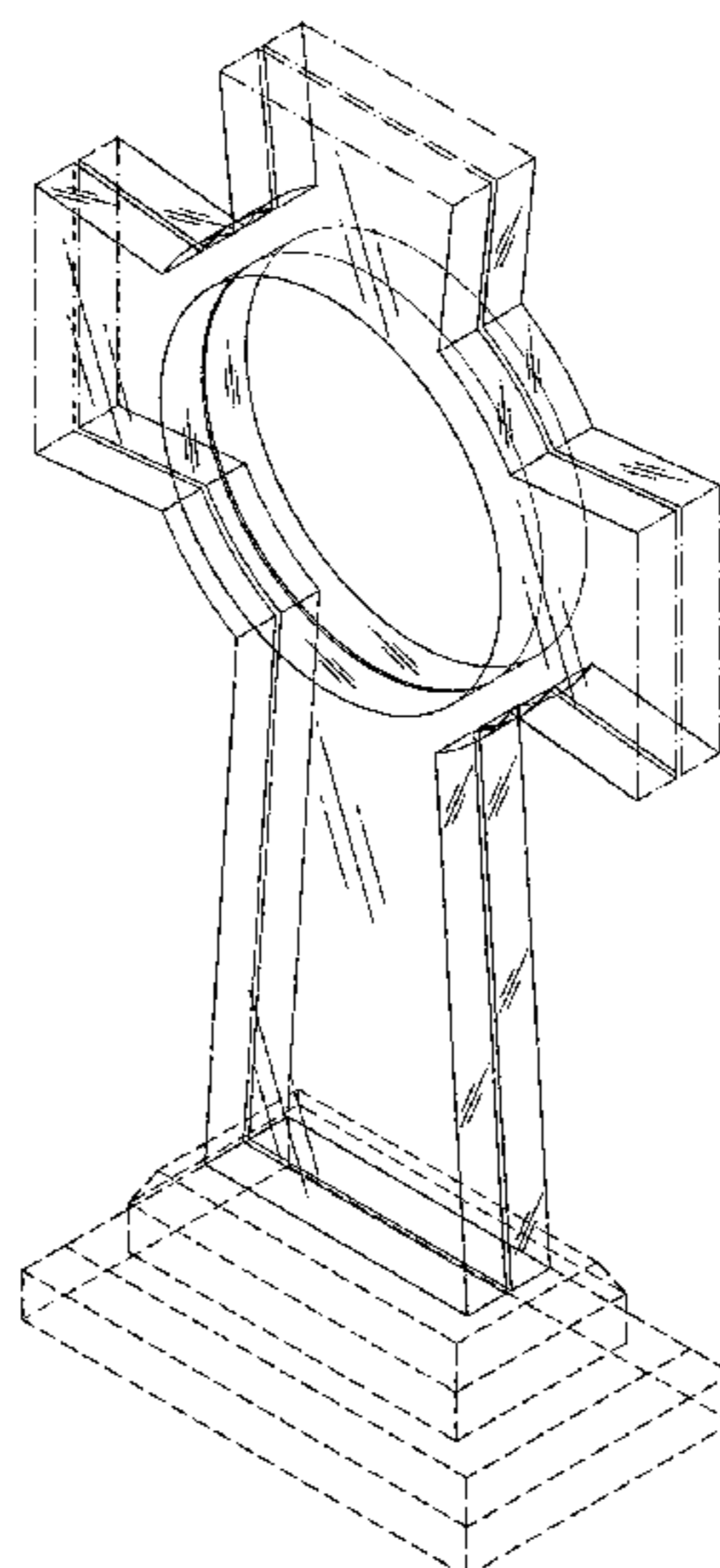
FIG. 12 is a right side view thereof, with the left side view being a mirror image;

FIG. 13 is a top view thereof; and,

FIG. 14 is a bottom view thereof.

The dot-dash broken lines in FIGS. 1-14 represent the boundary between claimed and non-claimed subject matter. The dash-dash broken lines depict portions of the article that form no part of the claimed design.

1 Claim, 10 Drawing Sheets



(56)

References Cited

U.S. PATENT DOCUMENTS

D323,679 S * 2/1992 Burgess D20/40
 D328,925 S * 8/1992 Levin D20/41
 D333,163 S * 2/1993 Mendelsohn D20/40
 D333,682 S * 3/1993 Burgess D20/40
 D338,315 S * 8/1993 Larson 428/3
 D343,076 S * 1/1994 Cadman D7/619.1
 D344,981 S * 3/1994 Noreika D20/40
 D363,088 S * 10/1995 Noreika D19/90
 D390,883 S * 2/1998 Watkins D20/15
 D412,074 S * 7/1999 DeWitt D6/672
 D424,330 S * 5/2000 DeWitt D6/672
 D426,582 S * 6/2000 Noreika D19/90
 D442,993 S * 5/2001 Eisen D19/73
 D443,970 S * 6/2001 Stucker D99/23
 D480,182 S * 9/2003 McAnally D11/96
 D518,939 S * 4/2006 Borgerding D99/25
 D578,275 S * 10/2008 Shantz D99/17
 D618,135 S * 6/2010 Horst D11/157
 D619,926 S * 7/2010 Letney D11/157
 D653,166 S * 1/2012 Dunn D11/184
 D653,988 S * 2/2012 Hayden D11/96
 D654,828 S * 2/2012 Piric D11/157
 D658,908 S * 5/2012 Kroll D6/674
 D659,430 S * 5/2012 Kroll D6/674

D659,431 S * 5/2012 Kroll D6/674
 D659,432 S * 5/2012 Kroll D6/674
 D666,120 S * 8/2012 Austin D11/120
 D671,770 S * 12/2012 Kroll D6/674
 D672,383 S * 12/2012 Tan D16/237
 D678,118 S * 3/2013 Cadigan D11/96
 D679,624 S * 4/2013 Robbins D11/96
 D685,675 S * 7/2013 Dubow D11/157
 D688,594 S * 8/2013 Dunn D11/184
 D710,706 S * 8/2014 Tussy D9/600
 D715,514 S * 10/2014 Voss D99/27
 RE45,427 E * 3/2015 Kroll D6/300
 RE45,428 E * 3/2015 Kroll D6/300
 RE45,546 E * 6/2015 Kroll D6/674
 RE45,560 E * 6/2015 Kroll D6/300
 RE45,622 E * 7/2015 Kroll D6/300
 D745,793 S * 12/2015 Kroll D20/29
 D746,086 S * 12/2015 Kroll D20/29
 D751,790 S * 3/2016 Voss D99/27
 D752,367 S * 3/2016 Kroll D20/29
 D752,368 S * 3/2016 Kroll D20/29
 D756,590 S * 5/2016 Bialecki D99/27
 D757,466 S * 5/2016 Kroll D20/29
 D776,962 S * 1/2017 Kroll D20/29
 D784,737 S * 4/2017 Kroll D20/29
 D785,977 S * 5/2017 Kroll D20/29

* cited by examiner

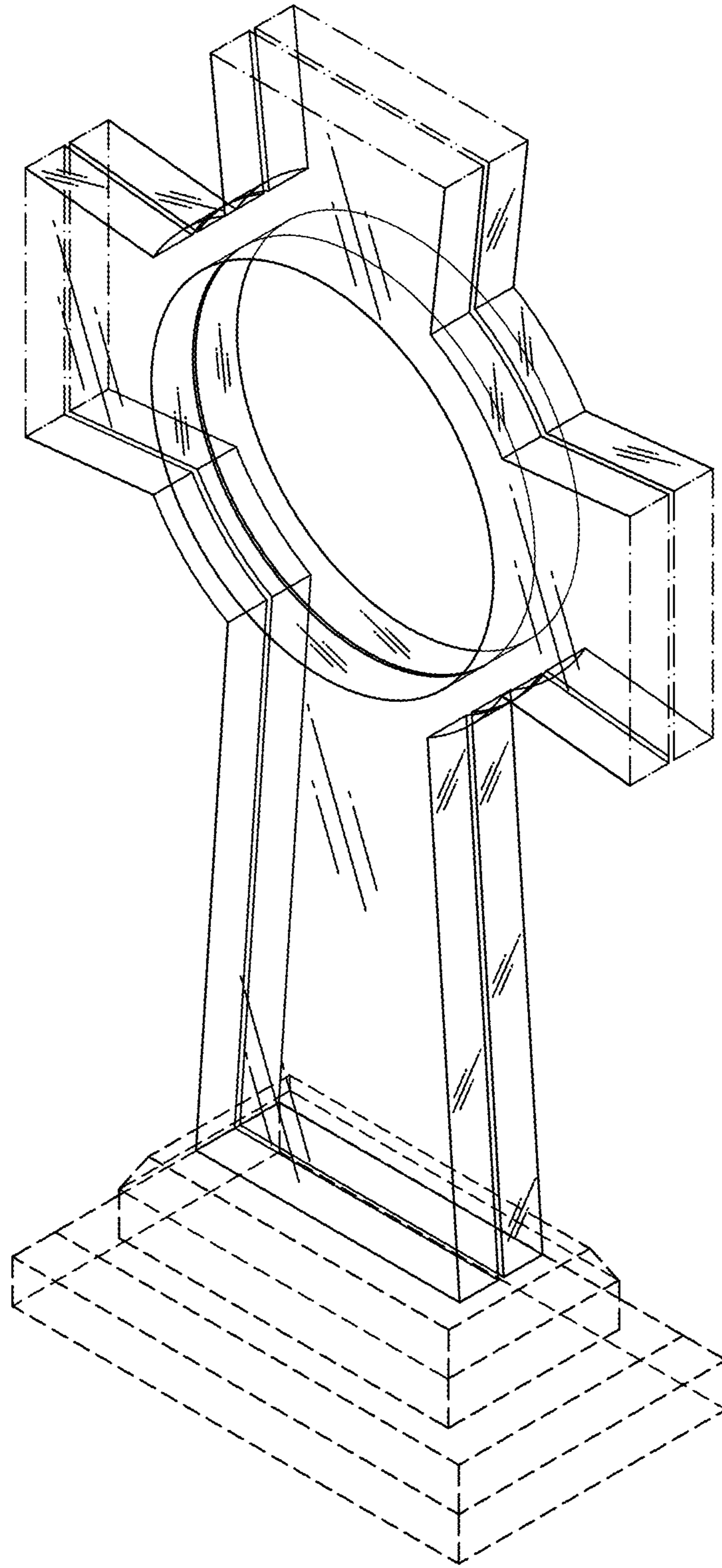


FIG. 1

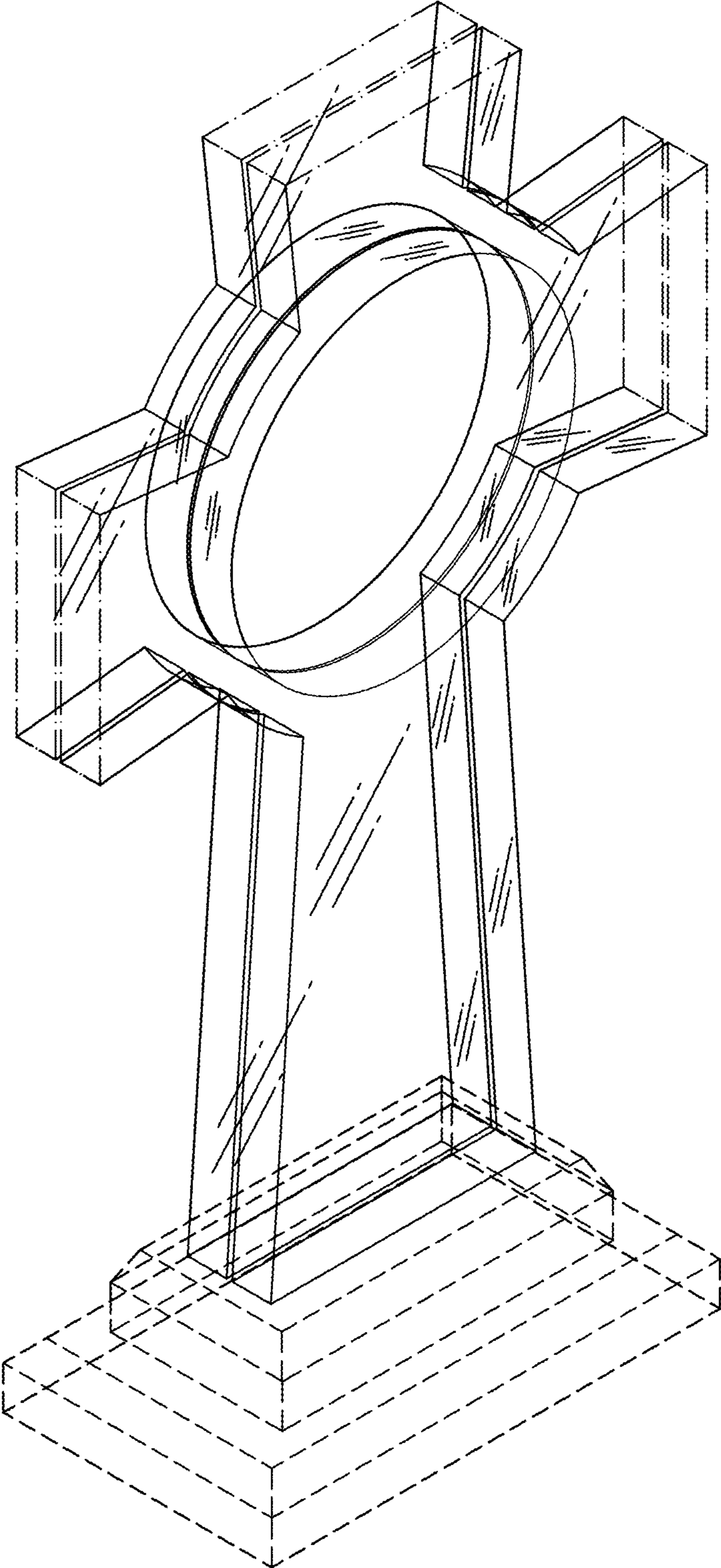


FIG. 2

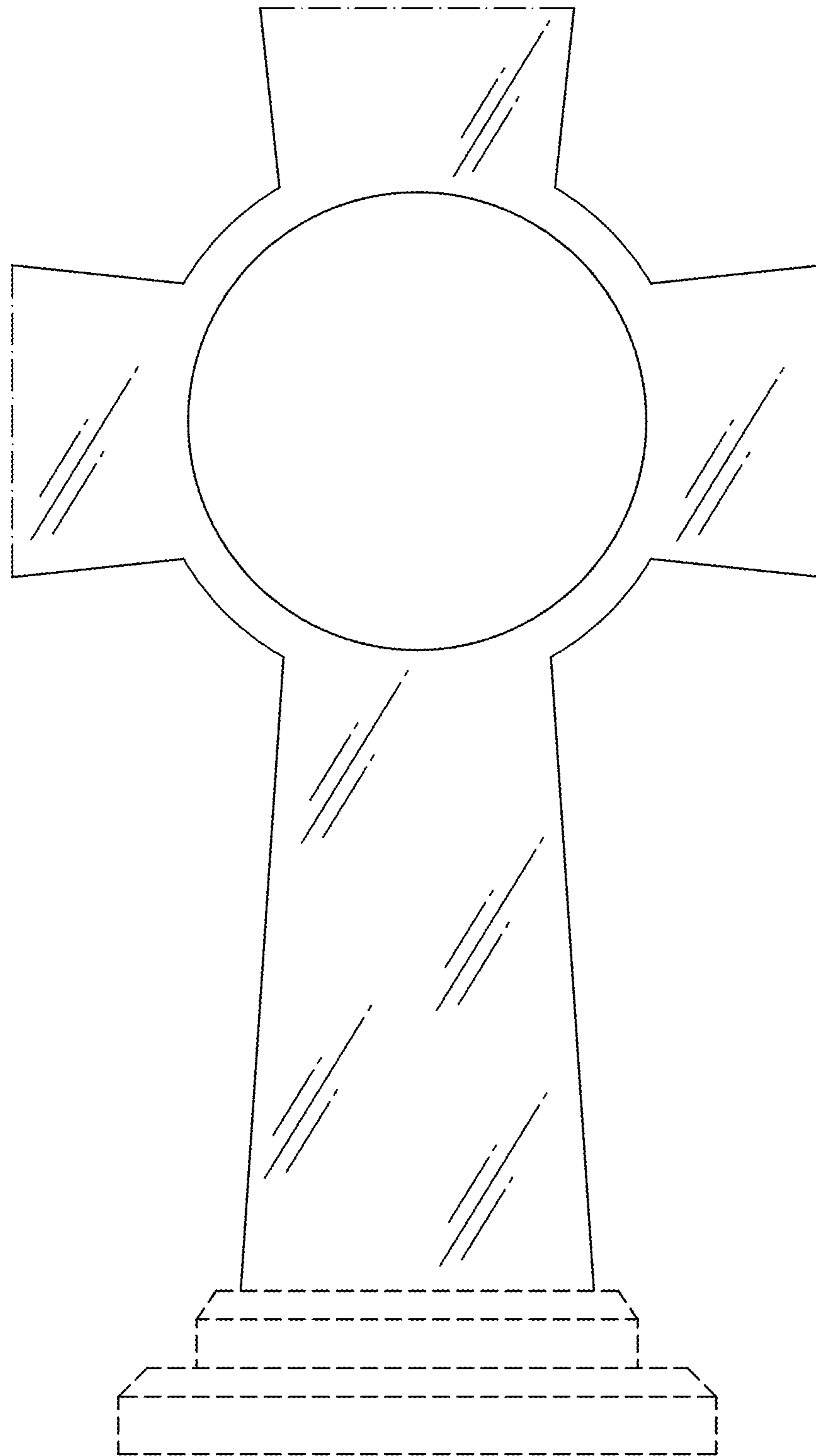


FIG. 3

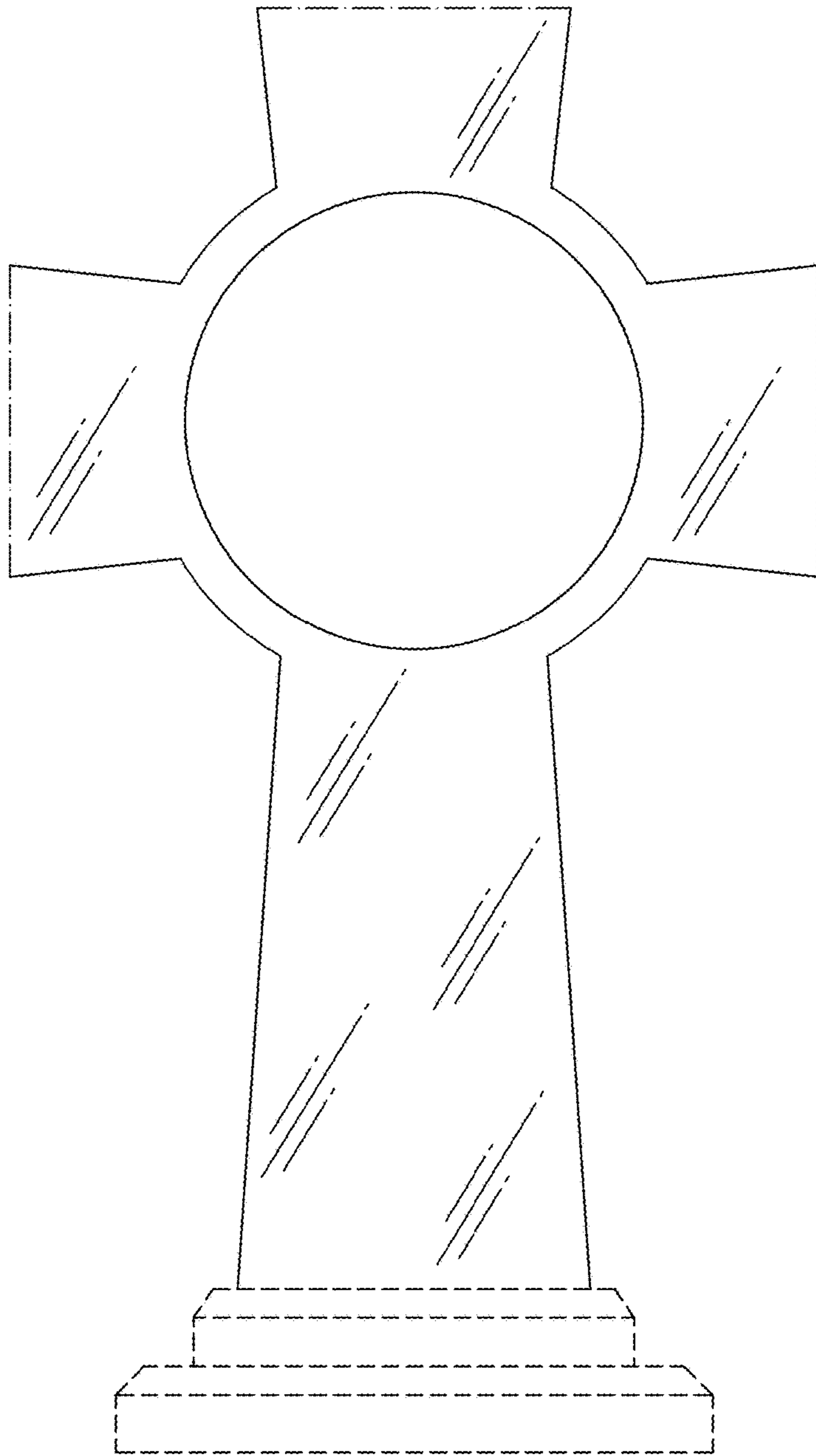


FIG. 4

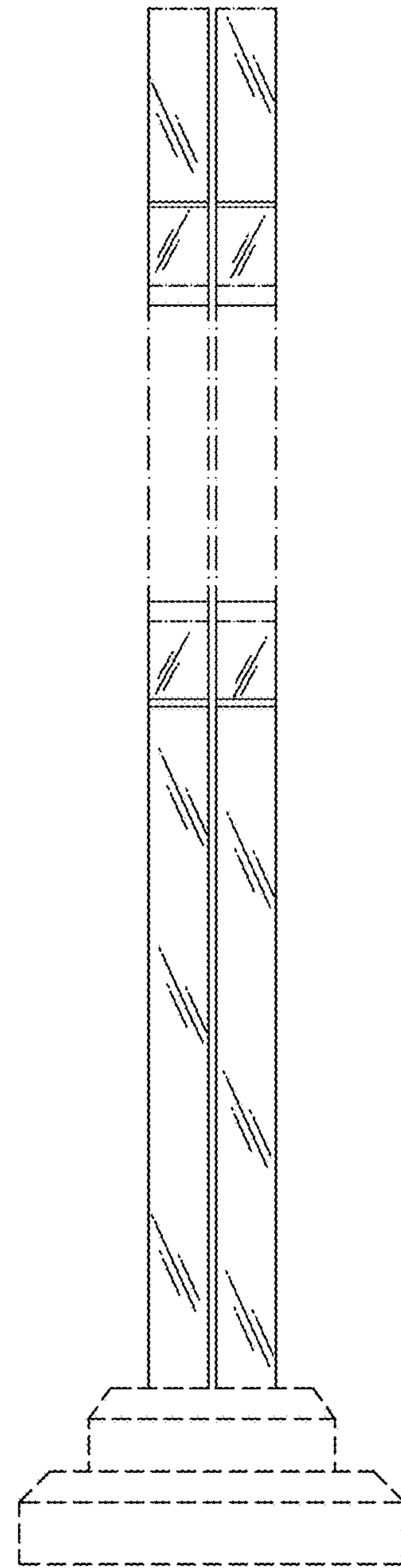


FIG. 5

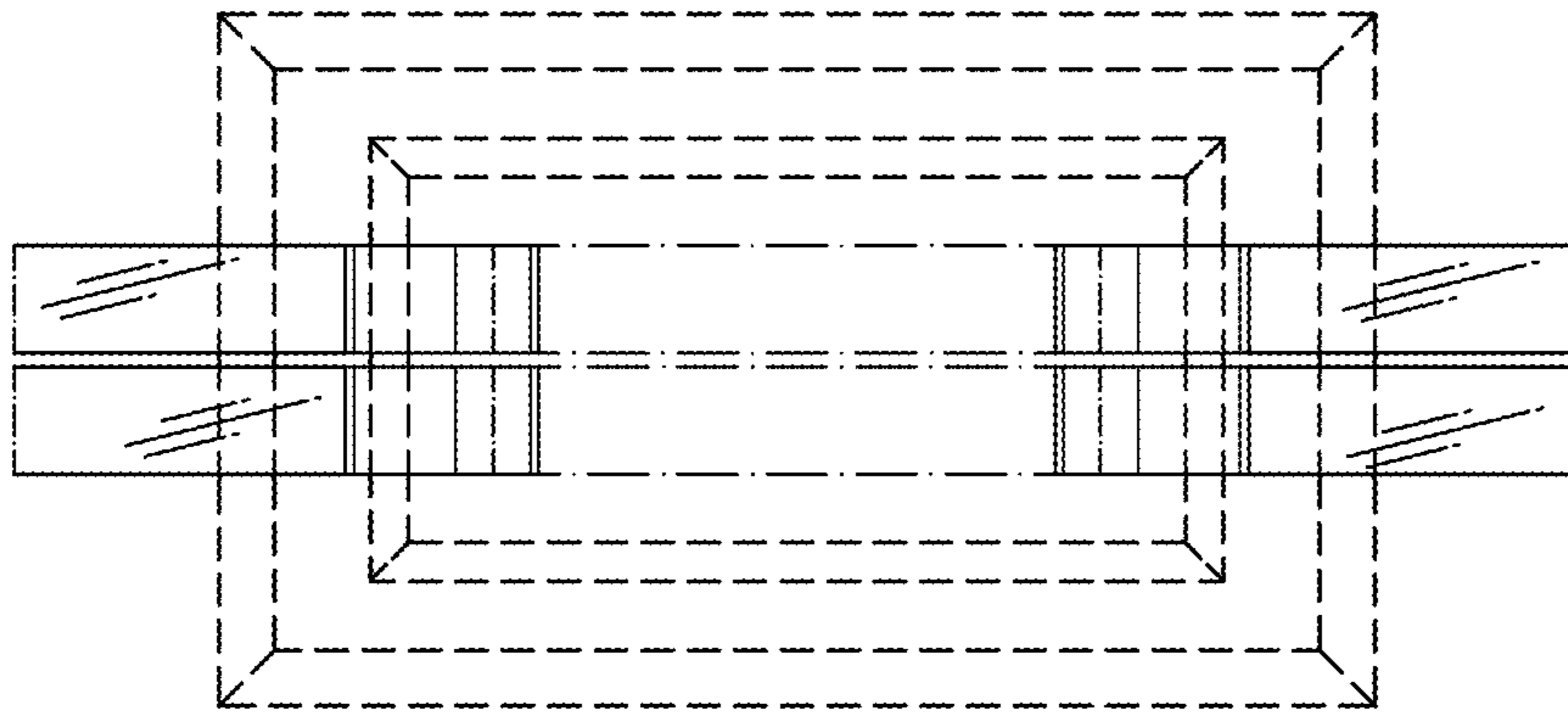


FIG. 6

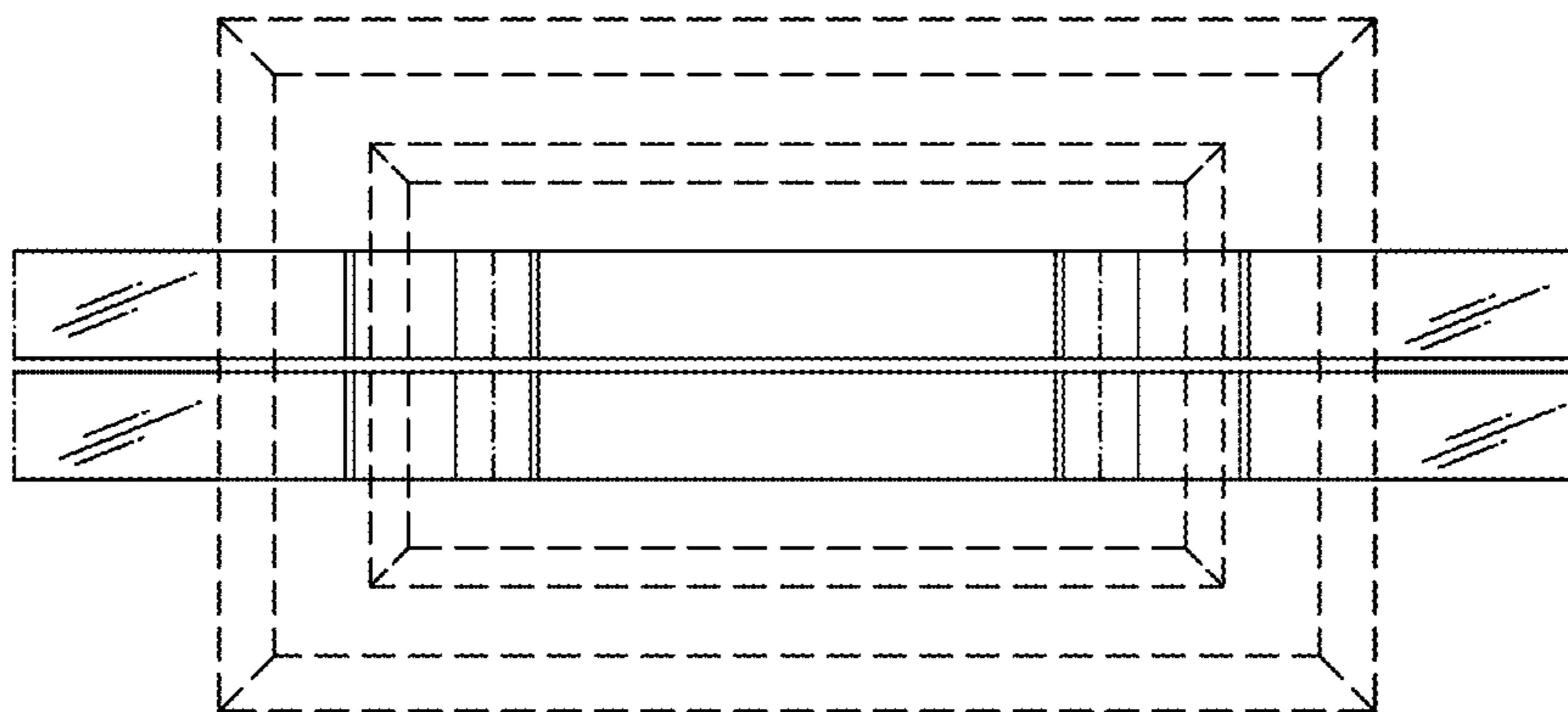


FIG. 7

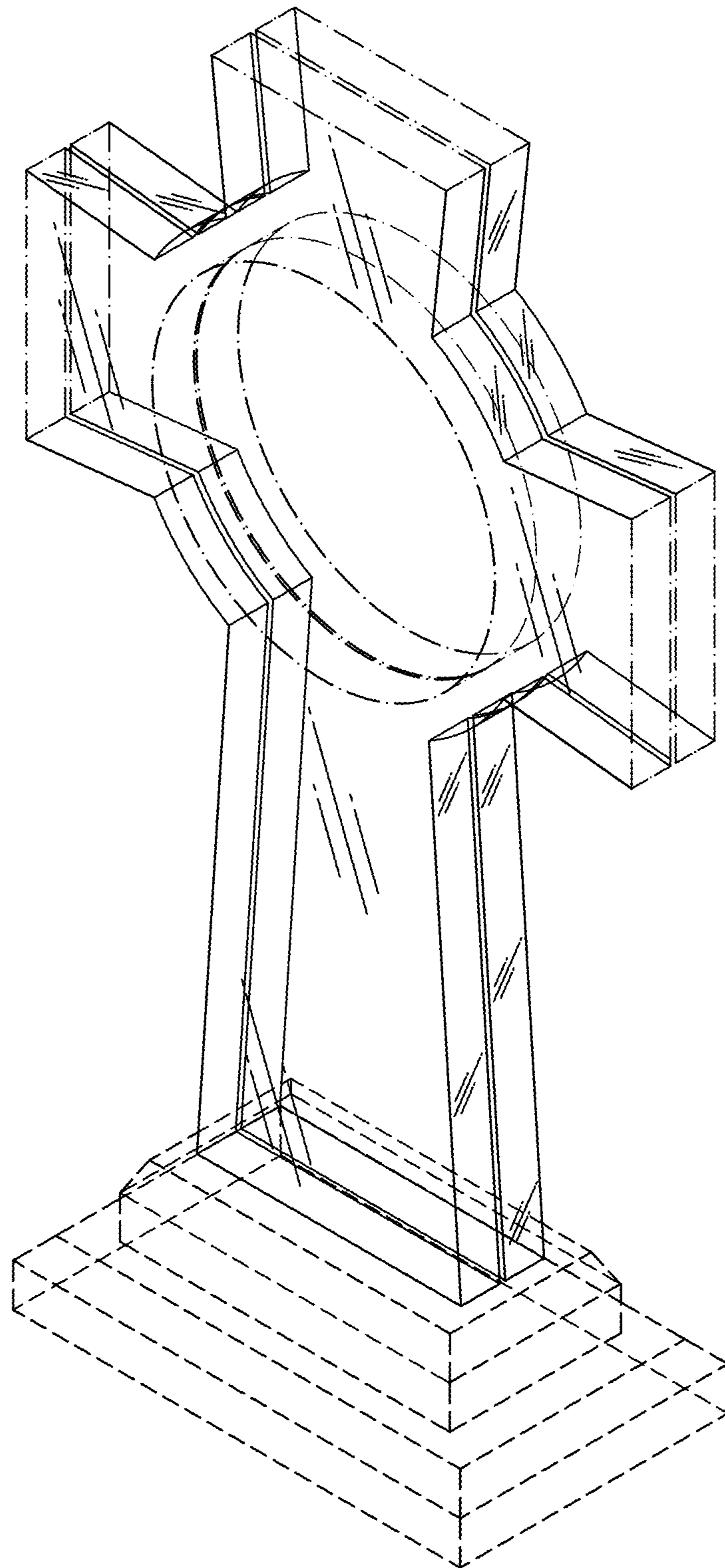


FIG. 8

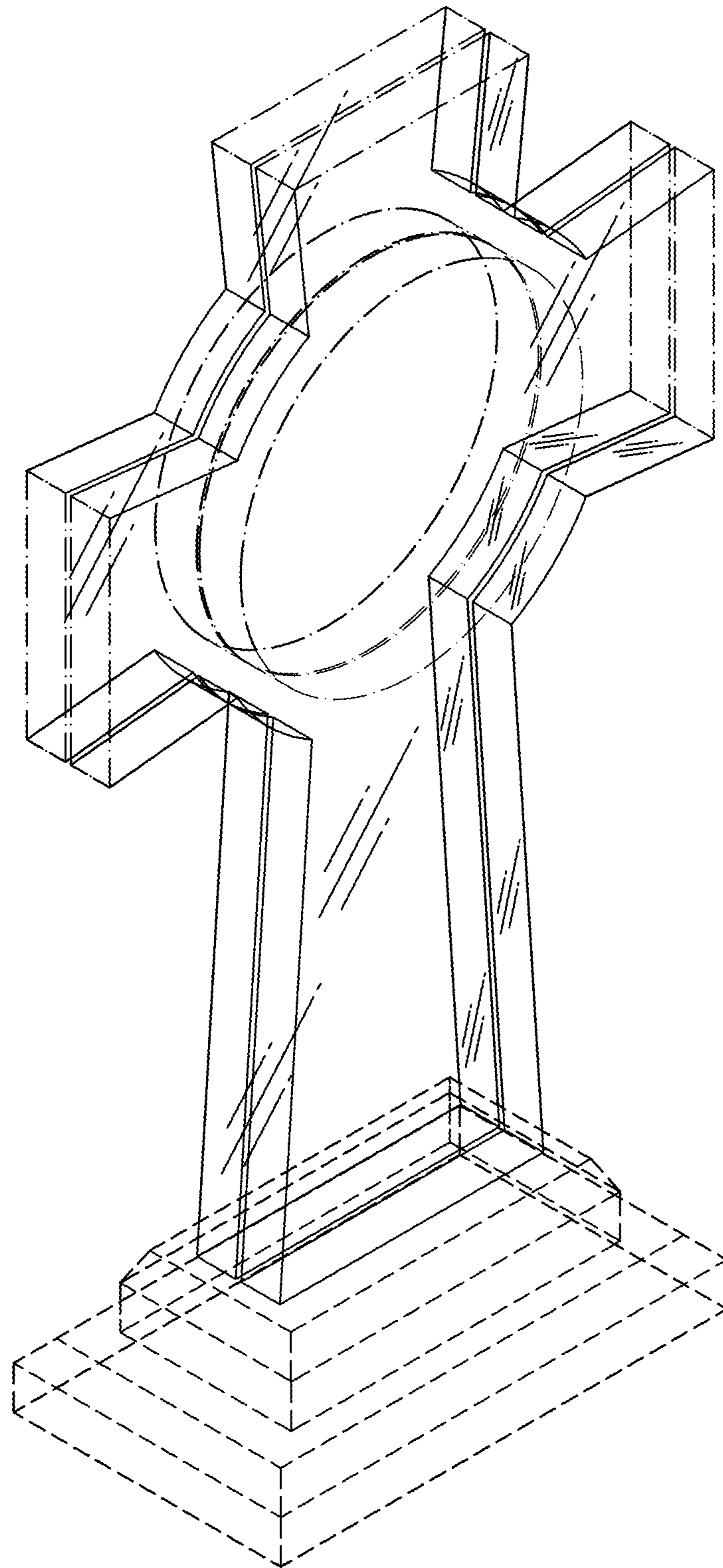


FIG. 9

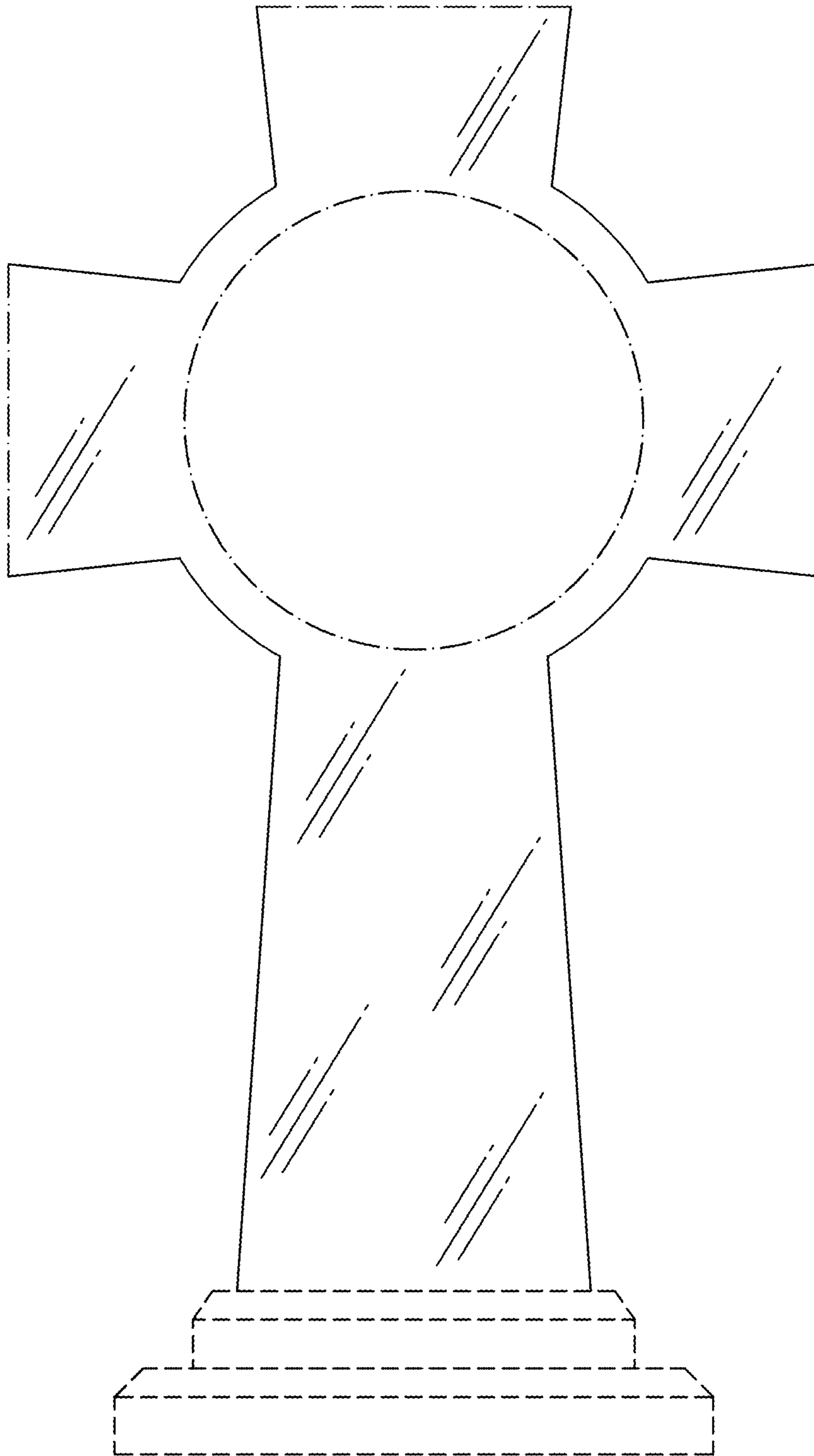


FIG. 10

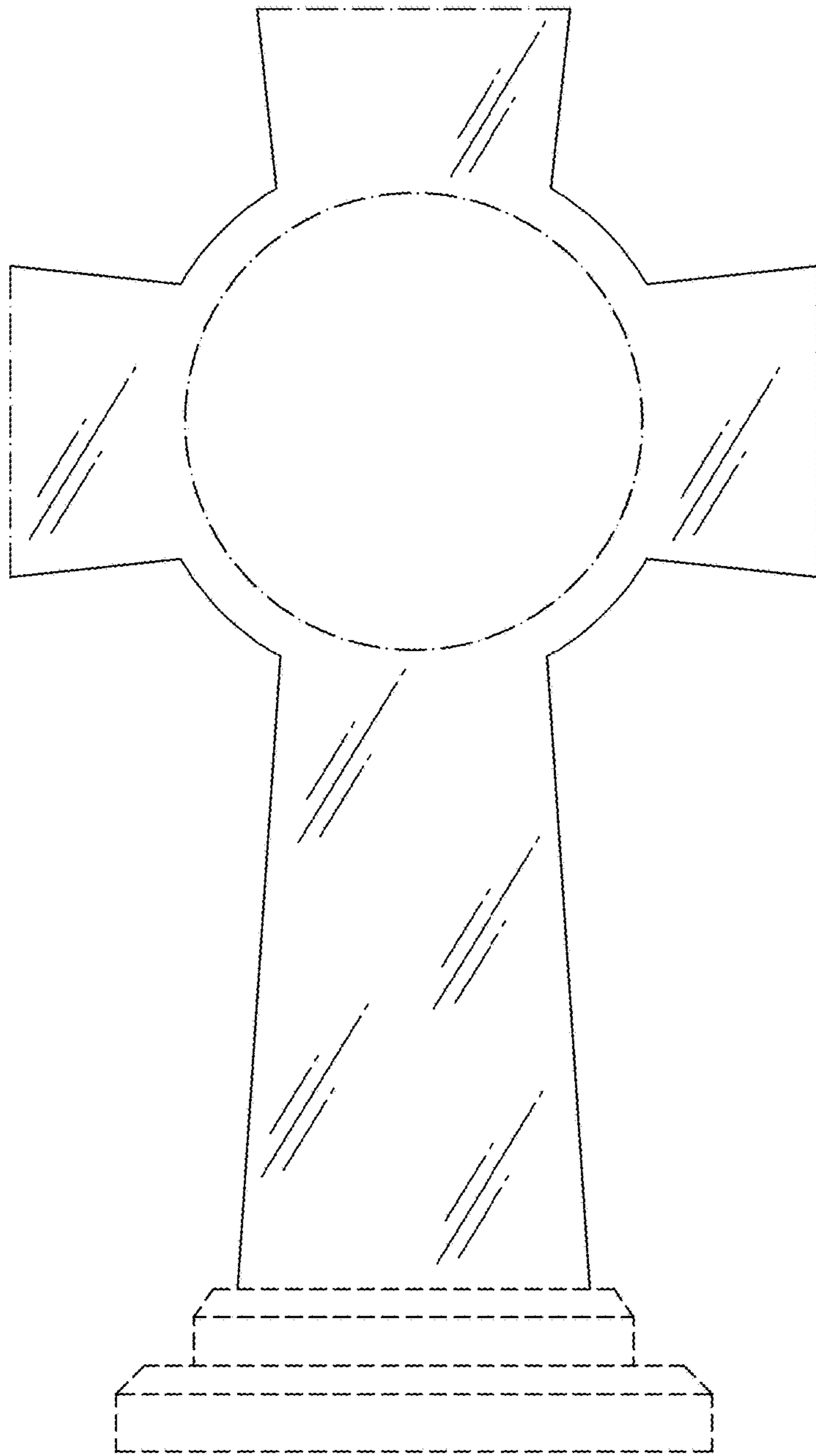


FIG. 11

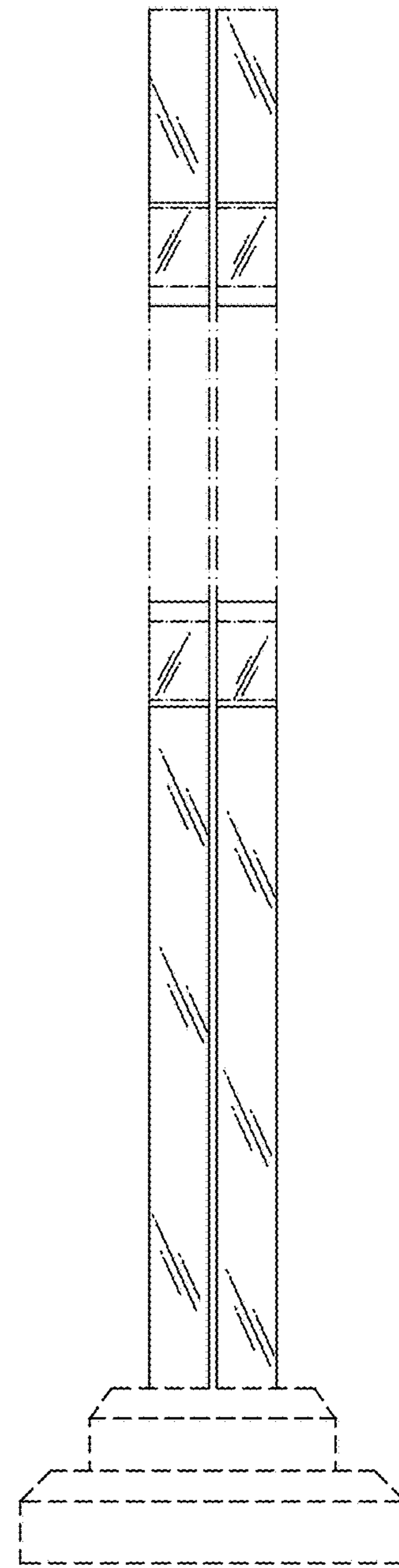


FIG. 12

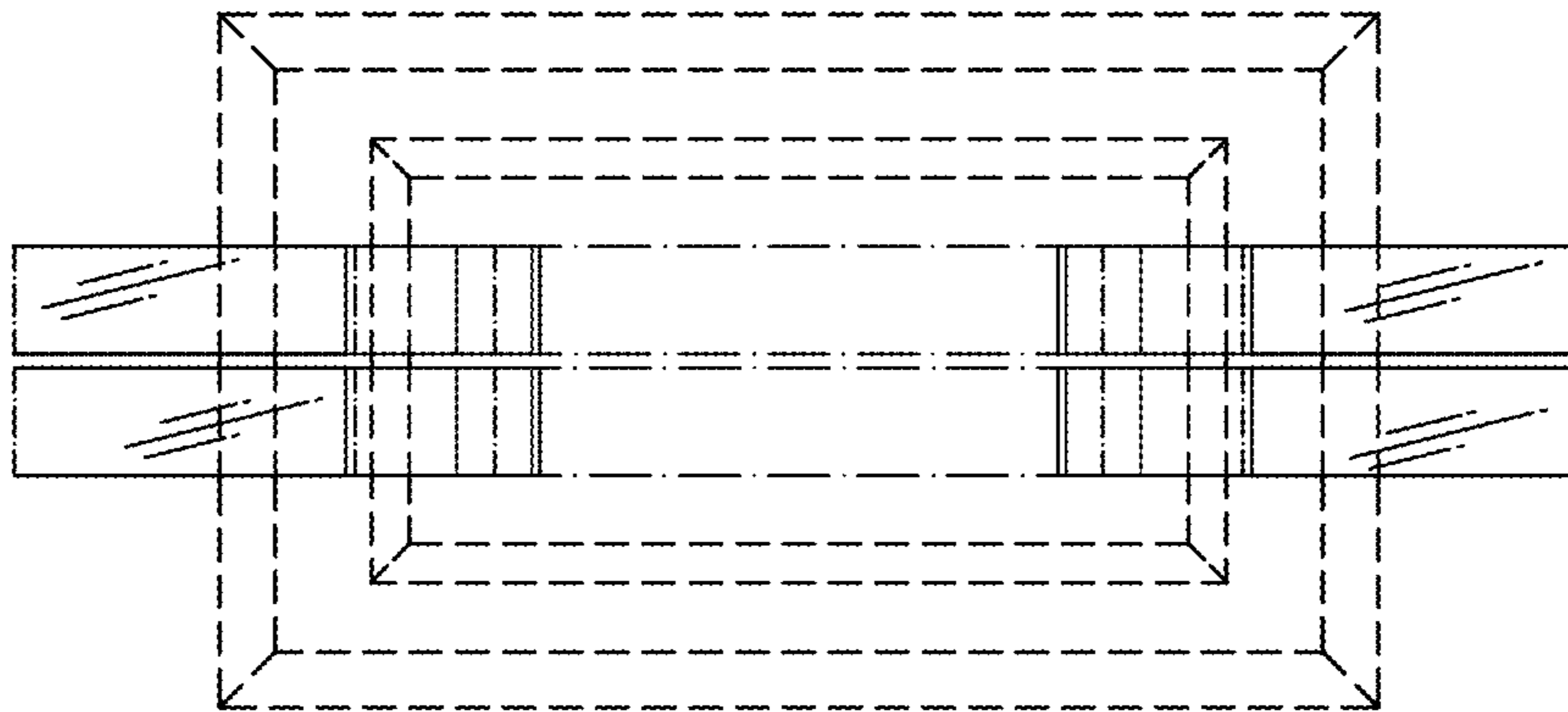


FIG. 13

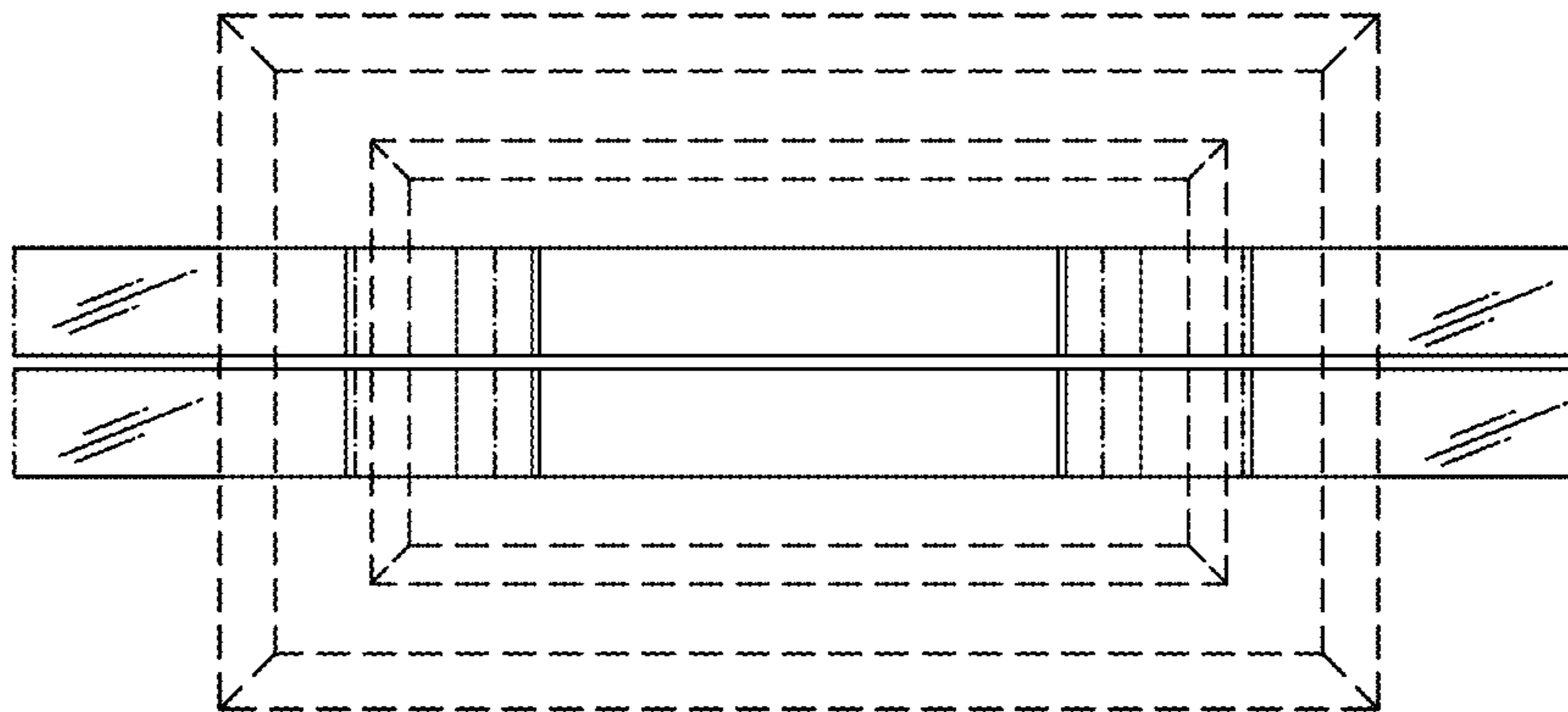


FIG. 14