



US00D809322S

(12) **United States Design Patent** (10) **Patent No.:** **US D809,322 S**
Choi (45) **Date of Patent:** **** Feb. 6, 2018**

(54) **CABINET VANITY**

- (71) Applicant: **Impressions Vanity Company**, Tustin, CA (US)
- (72) Inventor: **Dong Choi**, Tustin, CA (US)
- (73) Assignee: **Impressions Vanity Company**, Tustin, CA (US)

(**) Term: **15 Years**

(21) Appl. No.: **29/583,763**

(22) Filed: **Nov. 8, 2016**

(51) **LOC (11) Cl.** **06-04**

(52) **U.S. Cl.**
USPC **D6/664.1**

(58) **Field of Classification Search**

USPC D6/664.1, 663, 559–561, 686, 699, 300, D6/308, 334–336, 349, 351, 352, 358, D6/360, 364, 365, 366, 374, 375, 379, D6/380, 611, 657, 662.1, 672–675, 675.1, D6/675.3, 683, 683.1, 685, 691, 691.5, D6/702, 708, 708.2, 708.21, 708.25, 716, D6/716.1–716.4; D3/304, 307, 309; D7/333; D23/286, 343, 342; D24/227–230; D25/48.4, 113, 163; D13/184

CPC A47B 97/00; A47B 67/02; A47B 67/005; A47B 81/005; A47B 81/00; A47B 77/02; A47B 47/05; A47B 87/005; A47B 96/16; A47B 96/061; A47B 57/16; A47F 7/00; A47F 7/02; A47F 3/002; A47F 5/08; A47G

(Continued)

(56) **References Cited**

U.S. PATENT DOCUMENTS

- 3,260,559 A * 7/1966 Newman A47K 5/02 248/301
- 3,737,646 A * 6/1973 Burrows F21V 33/00 312/224

(Continued)

OTHER PUBLICATIONS

“Simple and decent profession aluminum framed makeup artist mirror with exquisite workmanship, makeup mirror with lights” Jul. 1, 2014, aliexpress.com, site visited Sep. 25, 2017 (Year: 2014) <<https://www.aliexpress.com/item/Simple-and-decent-profession-aluminum-framed-makeup-artist-mirror-with-exquisite-workmanship-makeup-mirror-with-lights/1965178465.html>> (Year: 2014).*

(Continued)

Primary Examiner — Kevin K Rudzinski

Assistant Examiner — Paul D Bohannon

(74) *Attorney, Agent, or Firm* — Intellectual Property Law Group LLP

(57) **CLAIM**

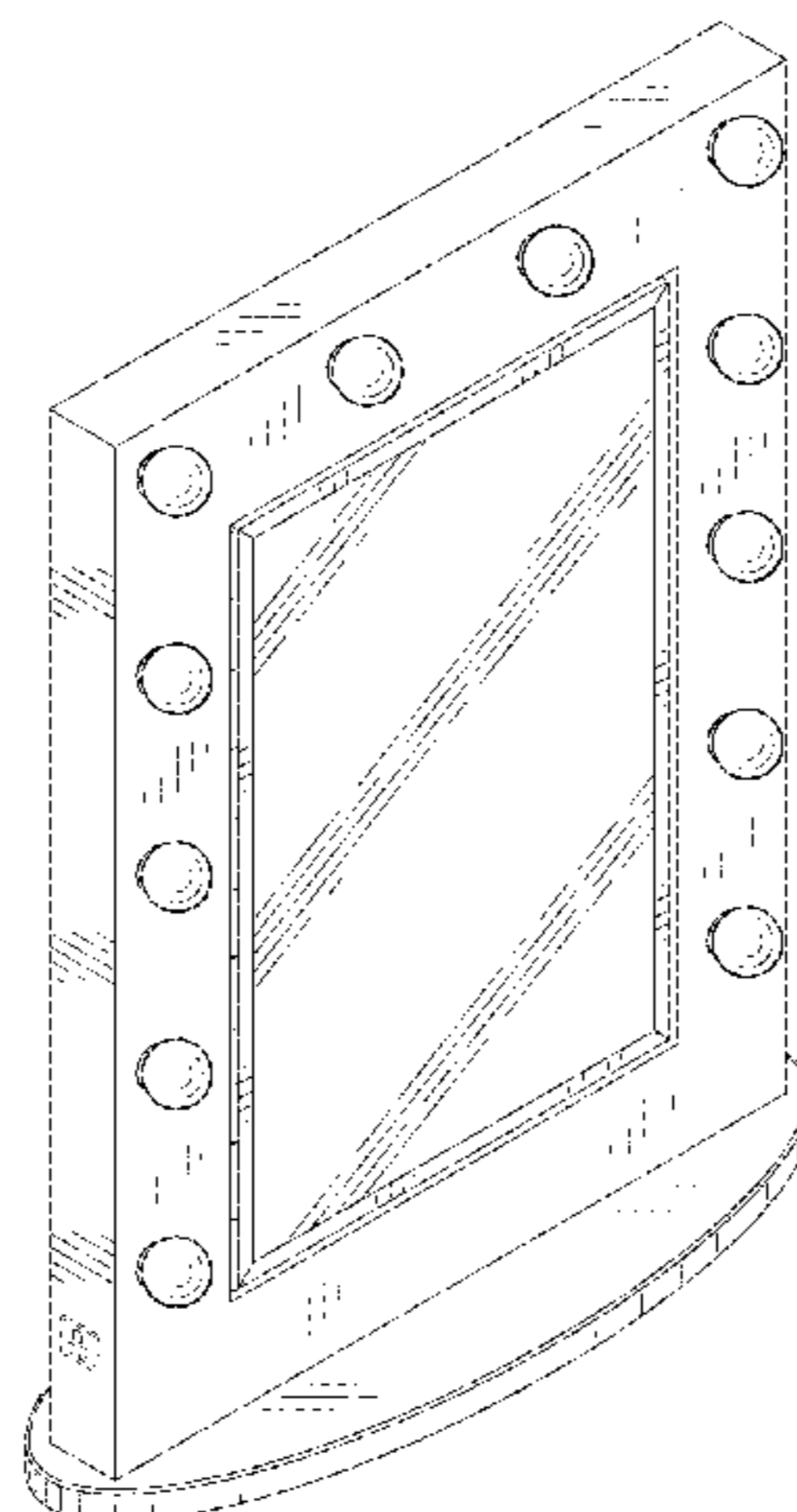
The ornamental design for a cabinet vanity, as shown and described.

DESCRIPTION

FIG. 1 is a front perspective view of a cabinet vanity, embodying my new design;
 FIG. 2 is a top plan view thereof;
 FIG. 3 is a front view thereof;
 FIG. 4 is a right side view thereof;
 FIG. 5 is a left side view thereof;
 FIG. 6 is a rear view thereof;
 FIG. 7 is a bottom plan view thereof;
 FIG. 8 is a front perspective view thereof with the cabinet door open;
 FIG. 9 is a top plan view of FIG. 8;
 FIG. 10 is a front view of FIG. 8;
 FIG. 11 is a left side view of FIG. 8;
 FIG. 12 is a right side view of FIG. 8; and,
 FIG. 13 is a bottom plan view of FIG. 8.

The broken line showing of portions of the cabinet vanity is for the purpose of illustrating portions of the article that form no part of the claimed design.

1 Claim, 7 Drawing Sheets



(58) **Field of Classification Search**

CPC ... 1/02; A47G 1/12; A47G 1/00; A47G 29/12;
B42F 17/00; G09F 1/12; A45C 11/16;
B60N 2/60; B60N 2/2881; B60N 2/6018;
B60N 2/6036; E05C 19/001; E05B 63/04;
E06B 7/34; H05K 9/0062; F21V 33/00

See application file for complete search history.

(56) **References Cited**

U.S. PATENT DOCUMENTS

3,757,103 A * 9/1973 Walter F21V 33/00
362/129
D446,027 S * 8/2001 LeFevre D6/300
D464,206 S * 10/2002 Moncourtois D6/308
D577,075 S * 9/2008 Bode D20/21
8,727,559 B2 * 5/2014 Boyer A47B 67/005
312/227
D769,021 S * 10/2016 Green D6/560
D779,217 S * 2/2017 Zhang D6/308
D779,835 S * 2/2017 Zhang D6/300
D785,980 S * 5/2017 Brown D6/675.3
D785,982 S * 5/2017 Brown D6/675.3
D785,994 S * 5/2017 Brown D6/675.3

OTHER PUBLICATIONS

“White Vanity Lighted Hollywood Makeup Mirror with Dimmer Stage Beauty Mirror” Jan. 21, 2016, dhgate.com, site visited Sep. 25, 2017 <<https://www.dhgate.com/product/white-hollywood-makeup-vanity-mirror-with/398885488.html>> (Year: 2016).*

* cited by examiner

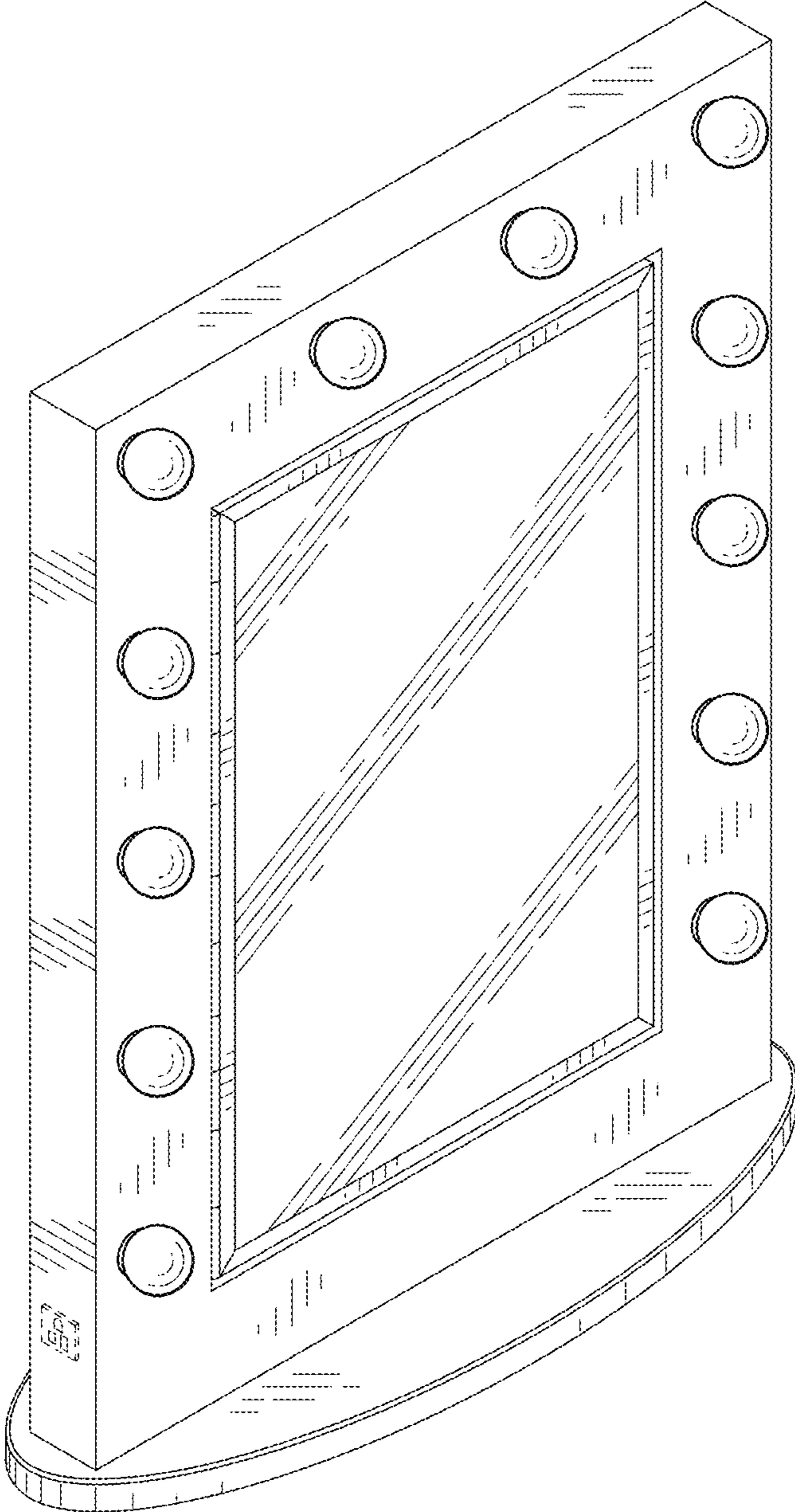


FIG. 1

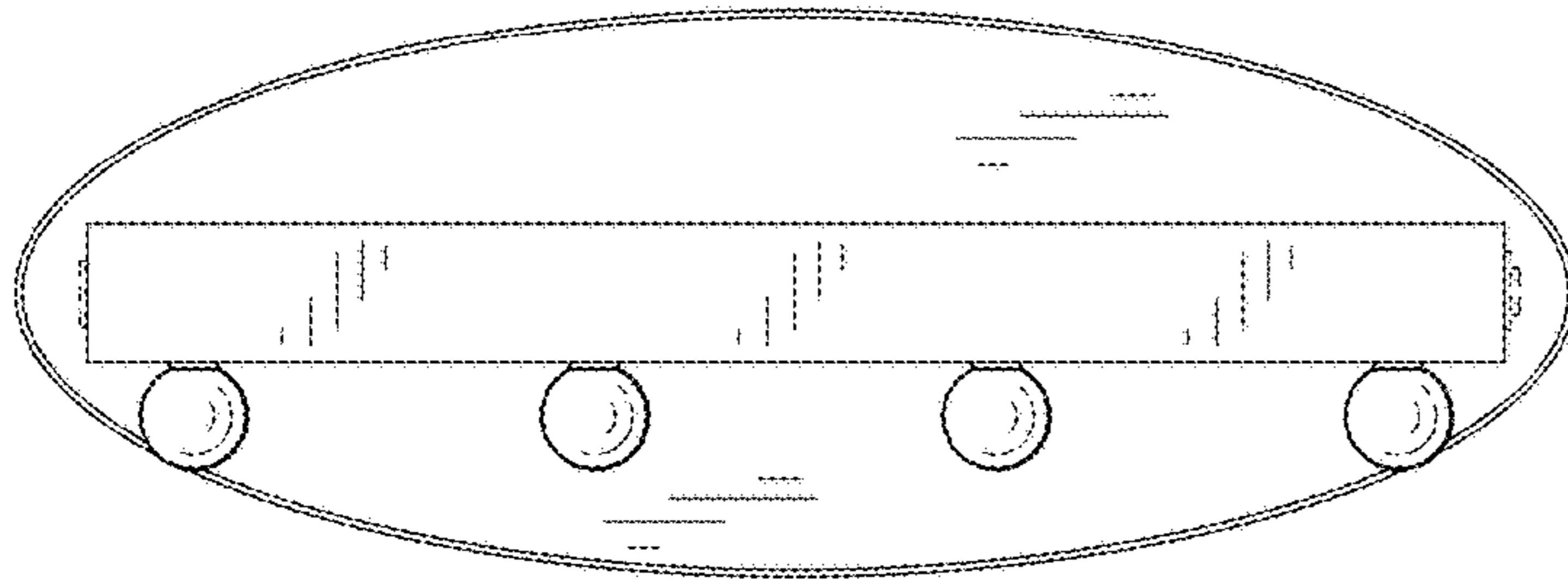


FIG. 2

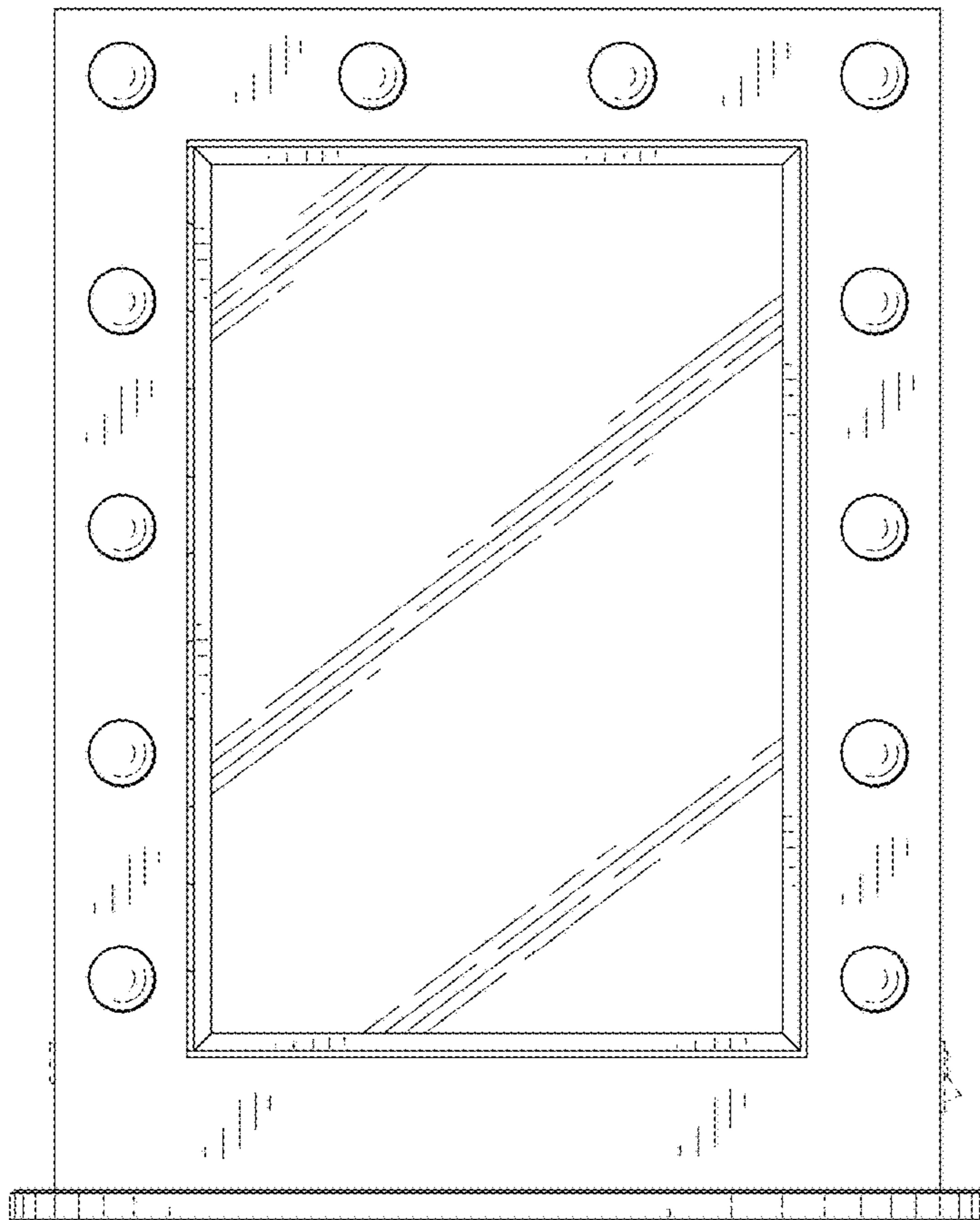


FIG. 3

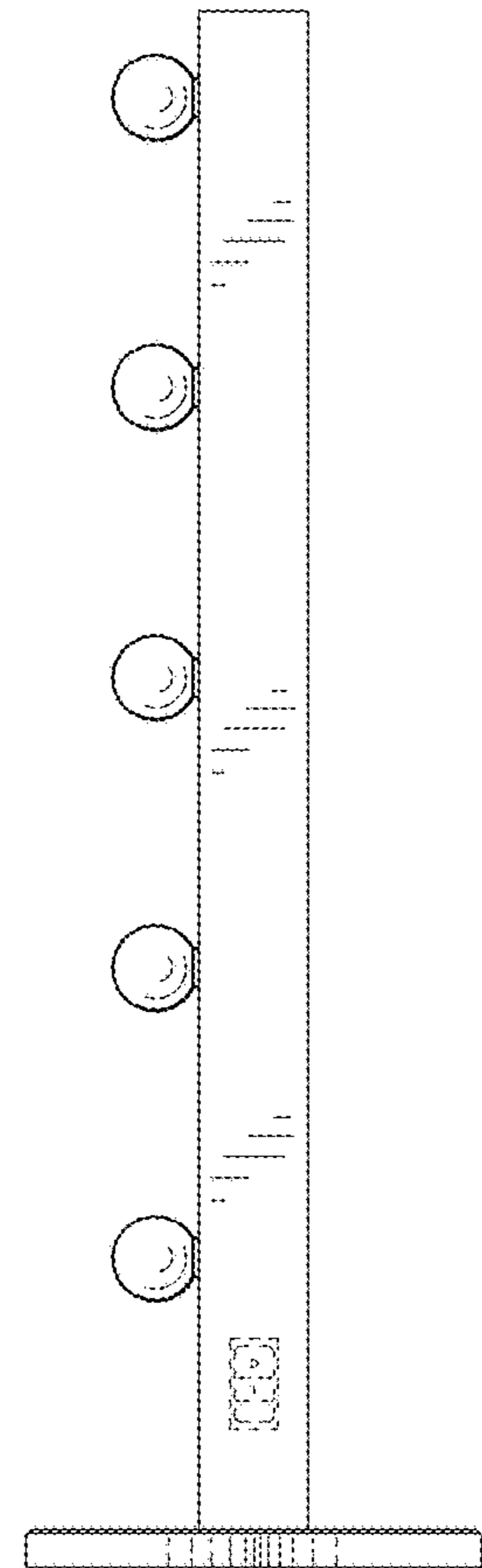


FIG. 4

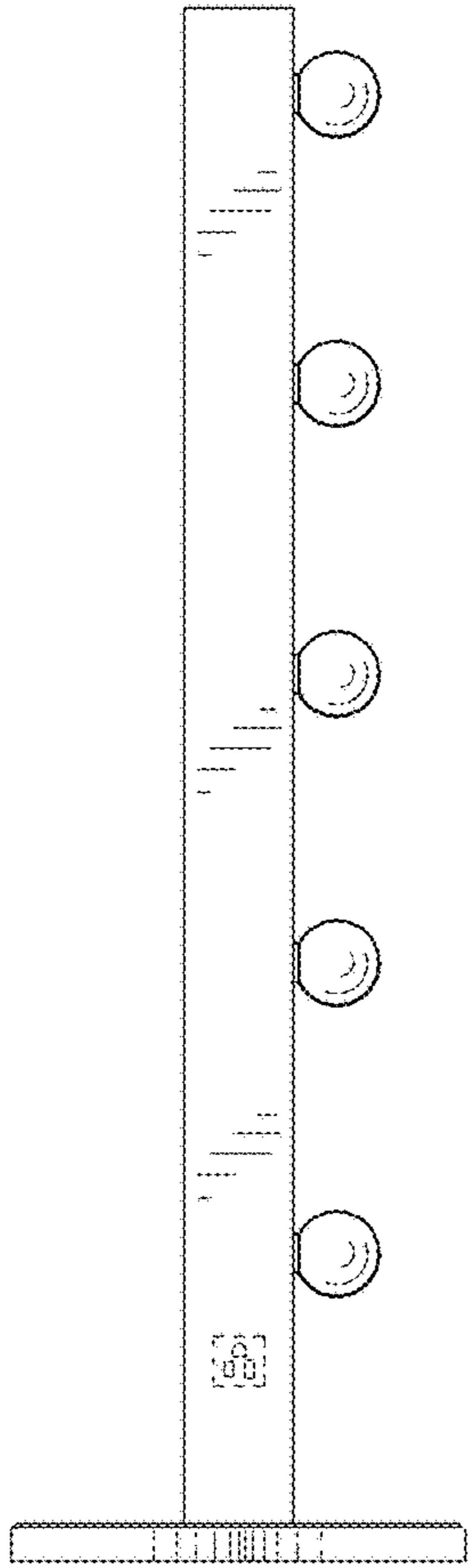


FIG. 5

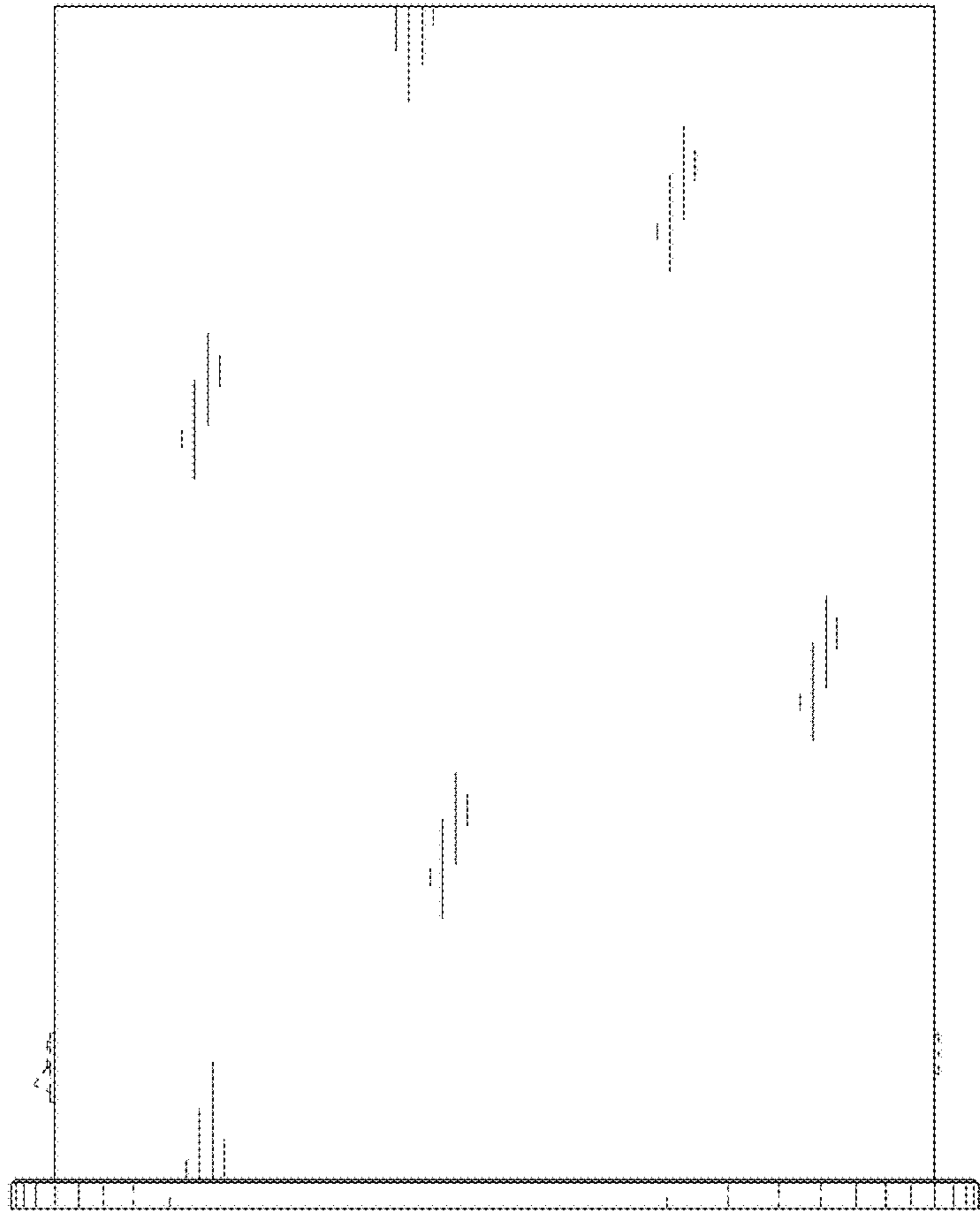


FIG. 6

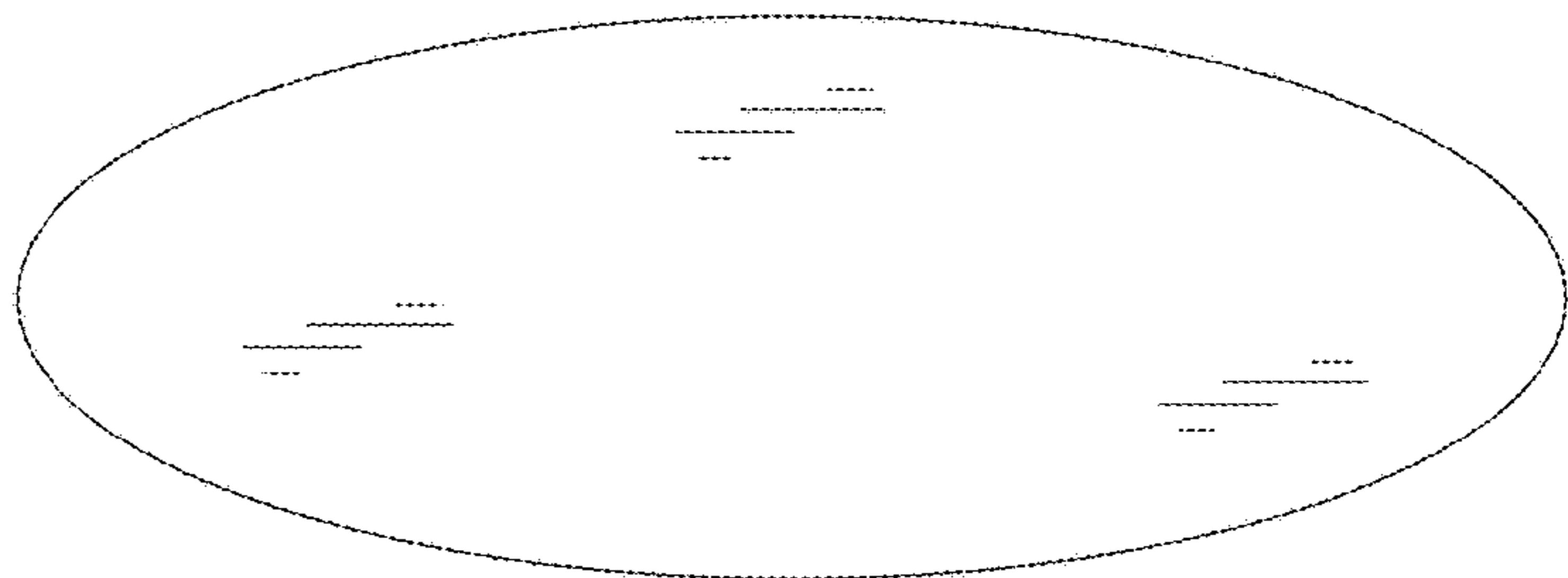


FIG. 7

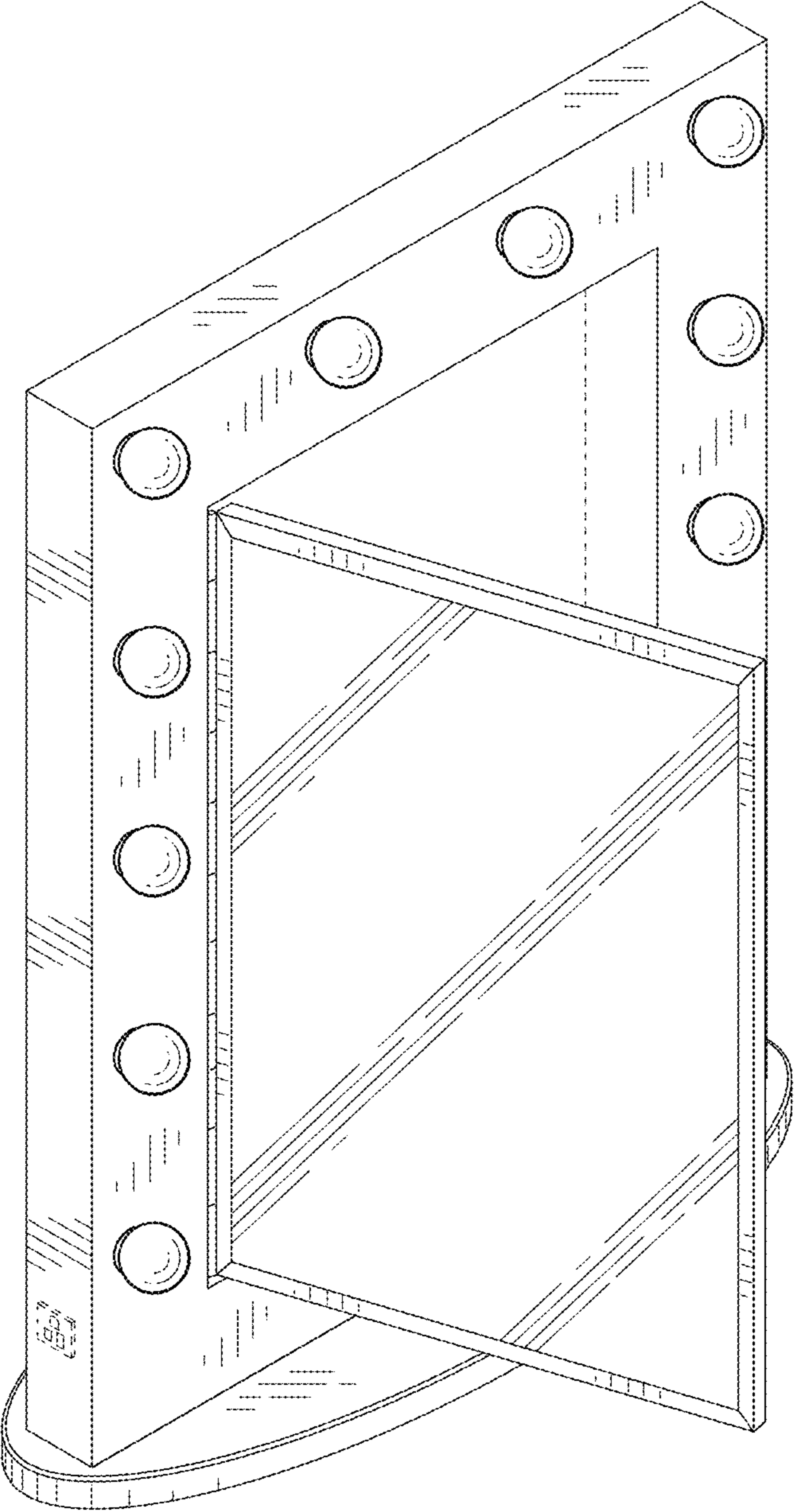


FIG. 8

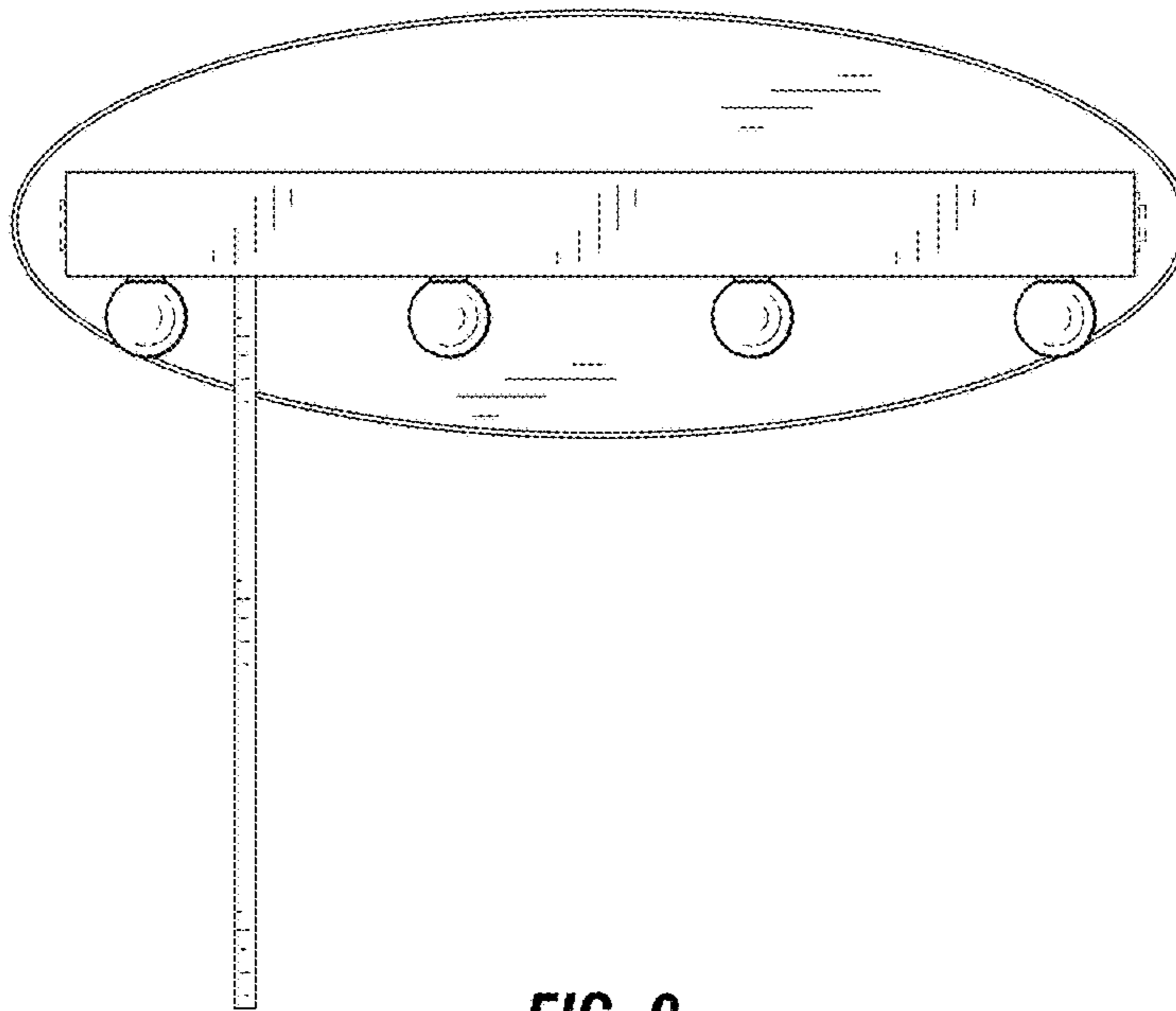


FIG. 9

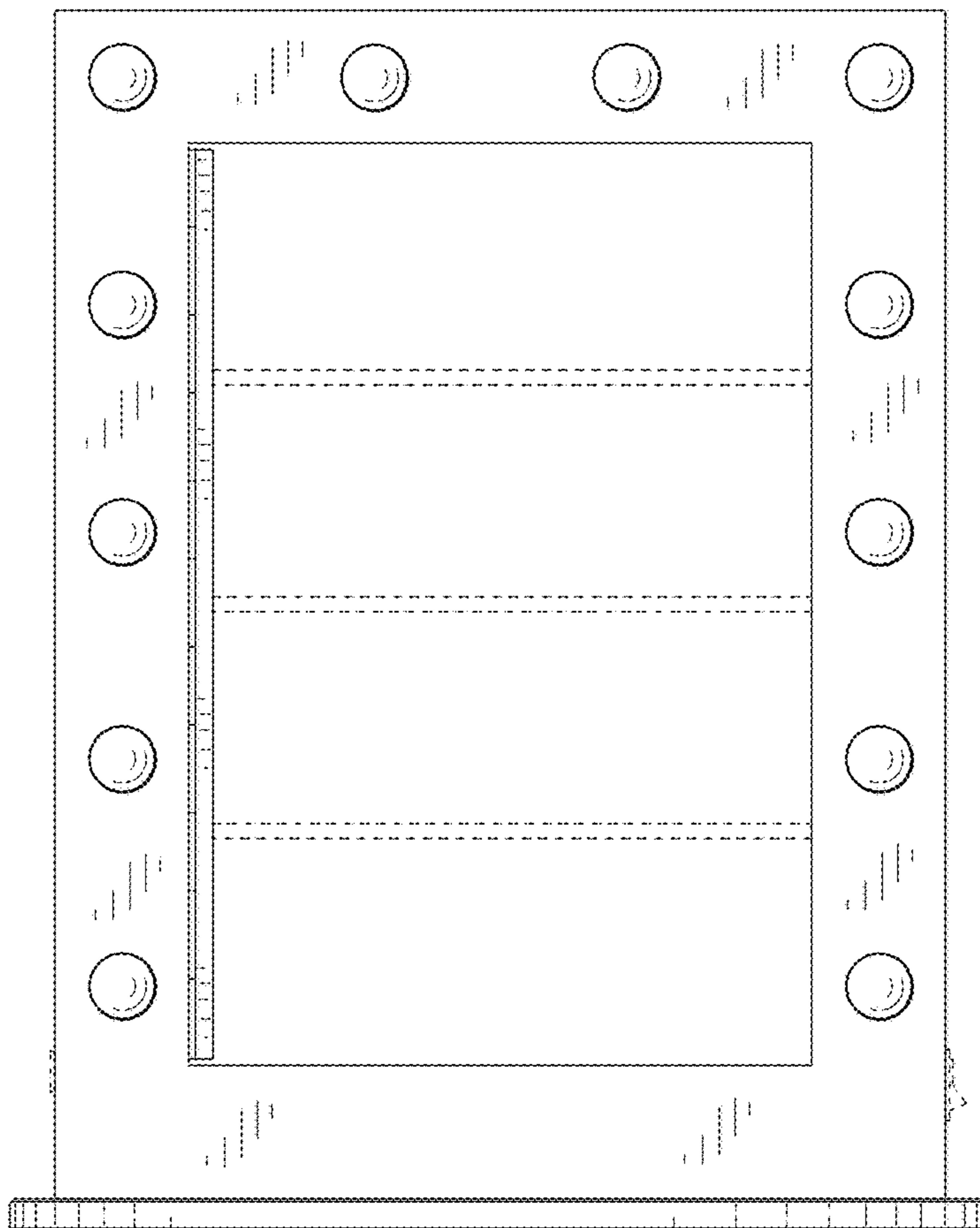


FIG. 10

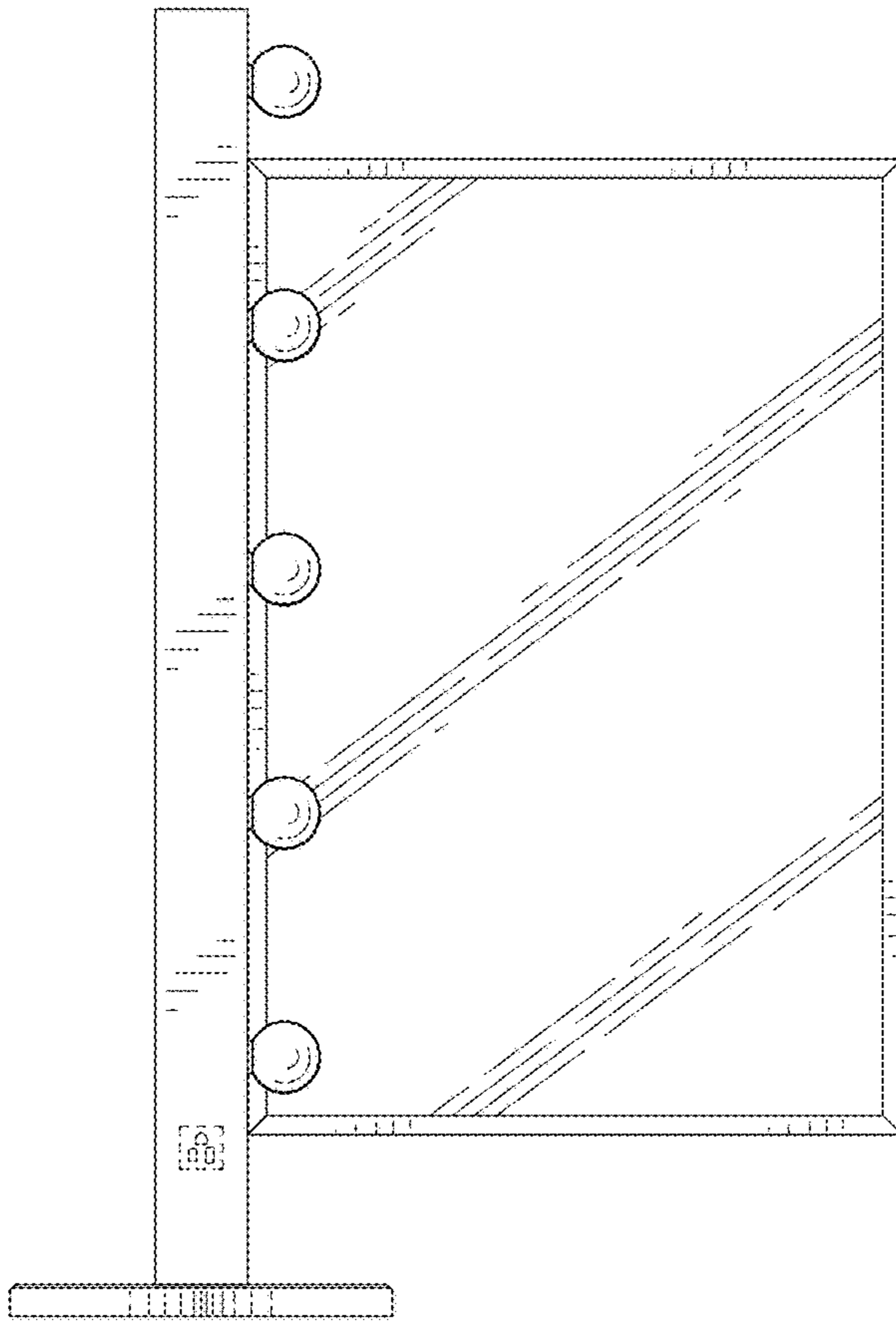


FIG. 11

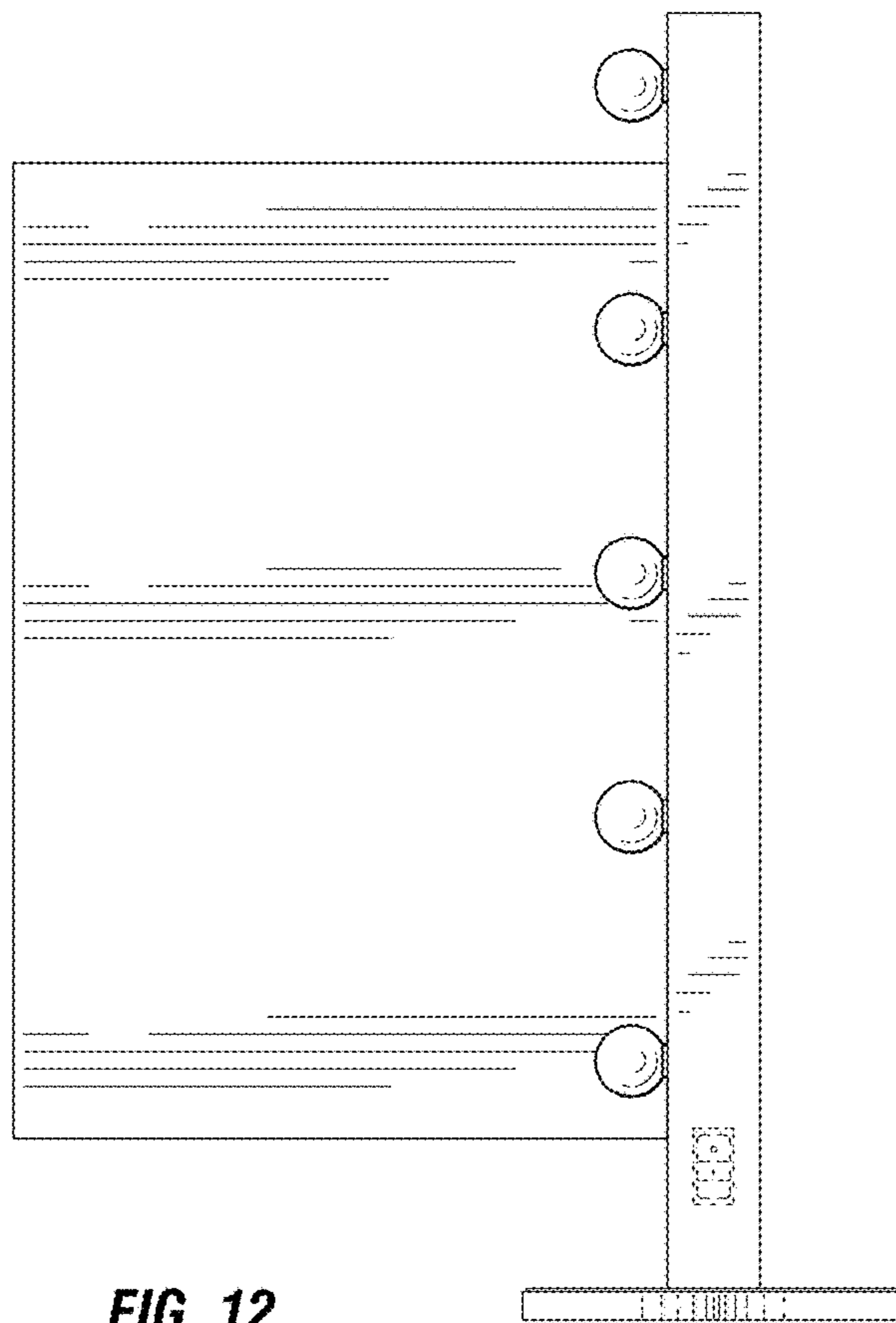


FIG. 12

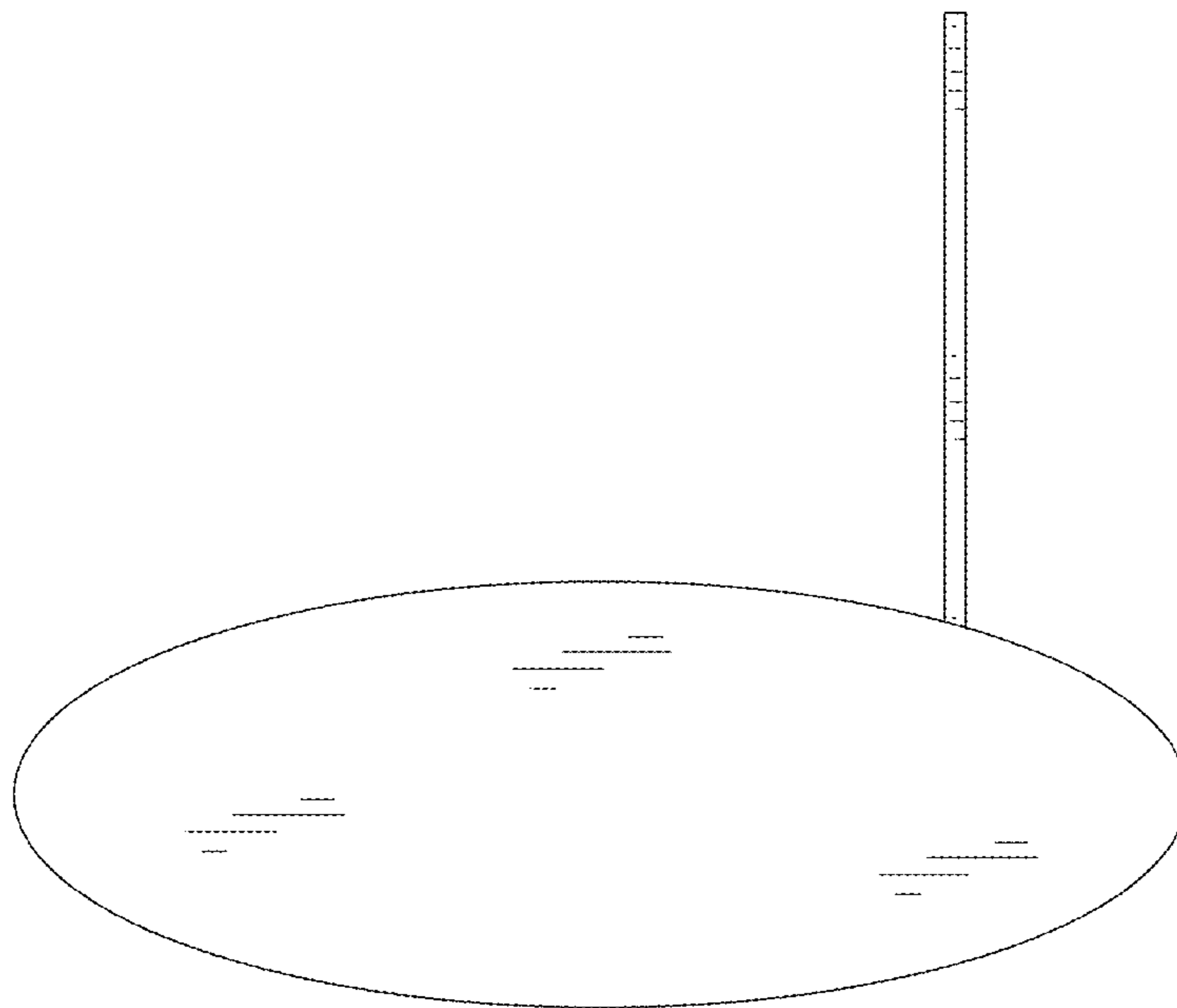


FIG. 13