



US00D809318S

(12) **United States Design Patent** (10) **Patent No.:** **US D809,318 S**  
**Hammons et al.** (45) **Date of Patent:** **\*\* Feb. 6, 2018**

(54) **MOUNTABLE HOLDER FOR A BOX DISPENSER OF SAFETY GLOVES, HAVING AUXILIARY DISPENSING/METERING PROVISIONS**

FOREIGN PATENT DOCUMENTS

CA 2615616 C 9/2013 ..... A47K 5/12  
CA 2905287 A1 9/2014 ..... B65D 83/08

(Continued)

(71) Applicants: **Mathew H. Hammons**, Joplin, MO (US); **Benjamin C. Krasin**, Joplin, MO (US)

*Primary Examiner* — Wan Laymon  
*Assistant Examiner* — Mark Booker

(74) *Attorney, Agent, or Firm* — Jonathan A. Bay

(72) Inventors: **Mathew H. Hammons**, Joplin, MO (US); **Benjamin C. Krasin**, Joplin, MO (US)

(57) **CLAIM**

The ornamental design for a mountable holder for a box dispenser of safety gloves, having auxiliary dispensing/metering provisions, as shown and described.

(\*\*) Term: **15 Years**

**DESCRIPTION**

(21) Appl. No.: **29/578,422**

(22) Filed: **Sep. 21, 2016**

**Related U.S. Application Data**

(63) Continuation-in-part of application No. 15/174,541, filed on Jun. 6, 2016.

(51) **LOC (11) Cl.** ..... **20-02**

(52) **U.S. Cl.**  
USPC ..... **D6/515**

(58) **Field of Classification Search**  
USPC ..... D6/515, 516-523; D3/20, 301; D9/419, D9/414, 420, 529, 734; D28/66;  
(Continued)

FIG. 1 is a perspective view of a mountable holder for a box dispenser of safety gloves, having auxiliary dispensing/metering provisions showing our new design, wherein a box dispenser and a safety glove are shown in dashed line to illustrate an exemplary use environment therefor and form no part of the claimed design;

FIG. 2 is a perspective view comparable to FIG. 1 except showing a second mountable holder in dashed line to illustrate the vertically combinable nature of the mountable holder in relation to the second one, wherein the second mountable holder forms no part of the claimed design;

FIG. 3 is a front elevational view of FIG. 1;

FIG. 4 is a right side elevational of FIG. 2, wherein the second mountable holder as well as the wall section and screw are all shown in dashed line to illustrate an exemplary use environment therefor and form no part of the claimed design;

FIG. 5 is a left side elevational view of FIG. 1;

FIG. 6 is a top plan view of FIG. 1;

FIG. 7 is a bottom plan view of FIG. 1; and,

FIG. 8 is a rear elevational view of FIG. 1.

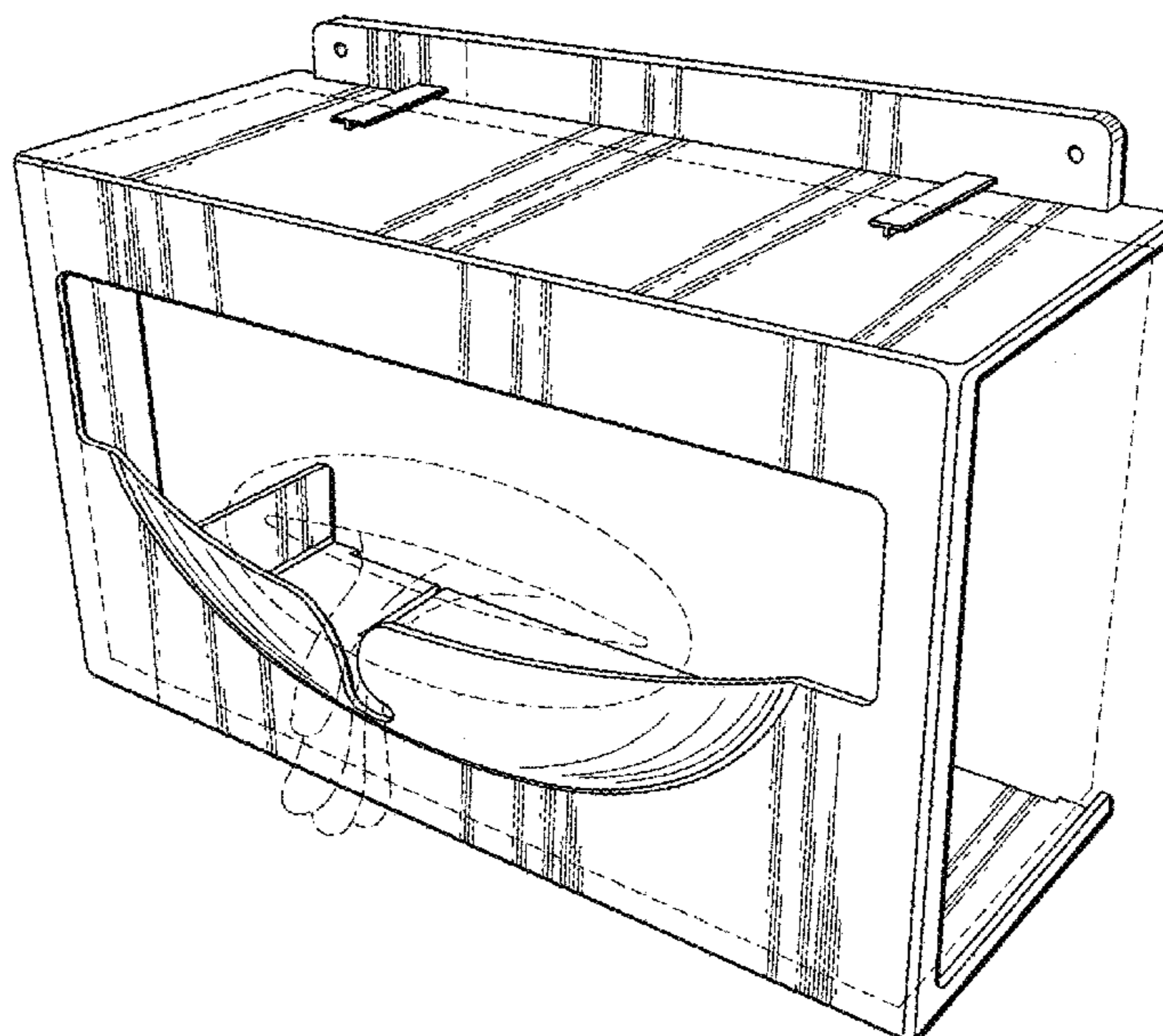
(56) **References Cited**

U.S. PATENT DOCUMENTS

2,506,675 A 5/1950 Letts ..... B65D 85/12  
211/126.5  
2,882,113 A 4/1959 Gantner ..... A47K 10/426  
221/46

(Continued)

**1 Claim, 7 Drawing Sheets**



# US D809,318 S

Page 2

(58) **Field of Classification Search**

USPC ..... 206/389, 391; D29/113, 117.1, 123;  
211/13.1, 16, 44, 49.1, 50, 59.2, 86.01;  
222/173, 181.1; 312/34.1–34.3, 34.8,  
312/34.22, 34.24, 309.1  
CPC ..... A61B 42/40; G06Q 50/22; G08N 21/245;  
A47G 25/904; A41D 2400/44; A47F 1/06  
See application file for complete search history.

(56) **References Cited**

U.S. PATENT DOCUMENTS

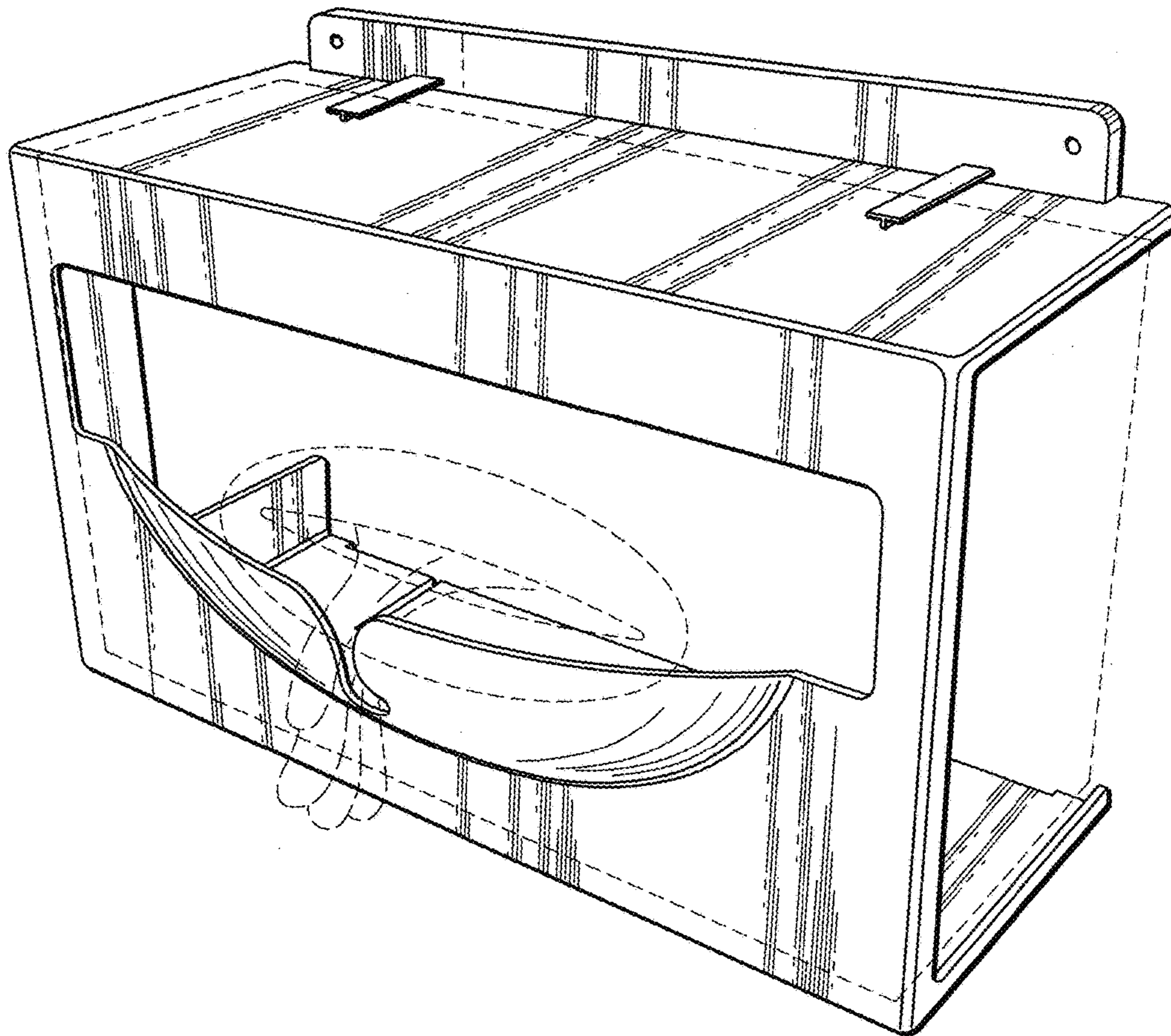
2,979,194 A 4/1961 Andren ..... B65D 5/001  
206/215  
3,089,597 A 5/1963 Kaplan ..... A47K 10/185  
221/46  
3,307,740 A 3/1967 Fant ..... A47K 10/42  
221/282  
3,351,209 A 11/1967 Kofoed ..... B65D 83/0805  
206/144  
4,995,530 A 2/1991 Tabor ..... B65D 83/08  
221/281  
6,708,841 B2 3/2004 Baughman ..... A61B 42/40  
221/155  
6,820,753 B2 11/2004 Kurtz ..... A47K 10/20  
211/49.1  
7,185,865 B1 3/2007 Patrick ..... A47K 10/185  
211/71.01  
D540,082 S \* 4/2007 Mandel ..... D6/515  
7,246,710 B2 7/2007 Graneto, III ..... A47B 57/18  
211/90.01  
D622,989 S \* 9/2010 Lagler ..... D6/515  
8,132,692 B2 3/2012 Jordan ..... B65D 83/0805  
221/196  
8,196,775 B1 6/2012 Ballesteros ..... A61B 50/20  
211/85.17  
8,444,008 B2 5/2013 Al-Mahanna ..... A47K 10/185  
206/233

D704,951 S \* 5/2014 Coleman ..... D6/518  
9,004,314 B2 4/2015 Cohen ..... A61B 19/045  
221/179  
D759,503 S \* 6/2016 Terpko ..... D6/515  
D783,304 S \* 4/2017 Gray ..... D6/515  
2005/0150788 A1 7/2005 Feusner ..... B65D 85/18  
206/278  
2006/0175222 A1 8/2006 Holland ..... A47K 10/185  
206/494  
2007/0284387 A1 12/2007 Ellswood ..... A47F 1/00  
221/92  
2008/0314920 A1 12/2008 Rodrigues ..... A61B 42/40  
221/63  
2010/0270326 A1 10/2010 Wong ..... A47K 10/42  
221/45  
2011/0192861 A1 8/2011 Bates ..... A61B 42/40  
221/1  
2011/0240670 A1 10/2011 Coleman ..... A47K 10/185  
221/46  
2012/0199602 A1 8/2012 Jordan ..... B65D 83/0817  
221/37  
2014/0061220 A1 3/2014 Kowal ..... B65D 85/18  
221/135  
2015/0069081 A1 3/2015 Fujimoto ..... B65D 83/0805  
221/63  
2015/0196176 A1 7/2015 Felix ..... A47K 10/3618  
221/46  
2016/0023838 A1 1/2016 Chu ..... B65B 7/26  
221/1  
2016/0278518 A1 9/2016 Good ..... A47F 5/01  
2017/0008691 A1 1/2017 DeGraaf ..... B65D 83/0805

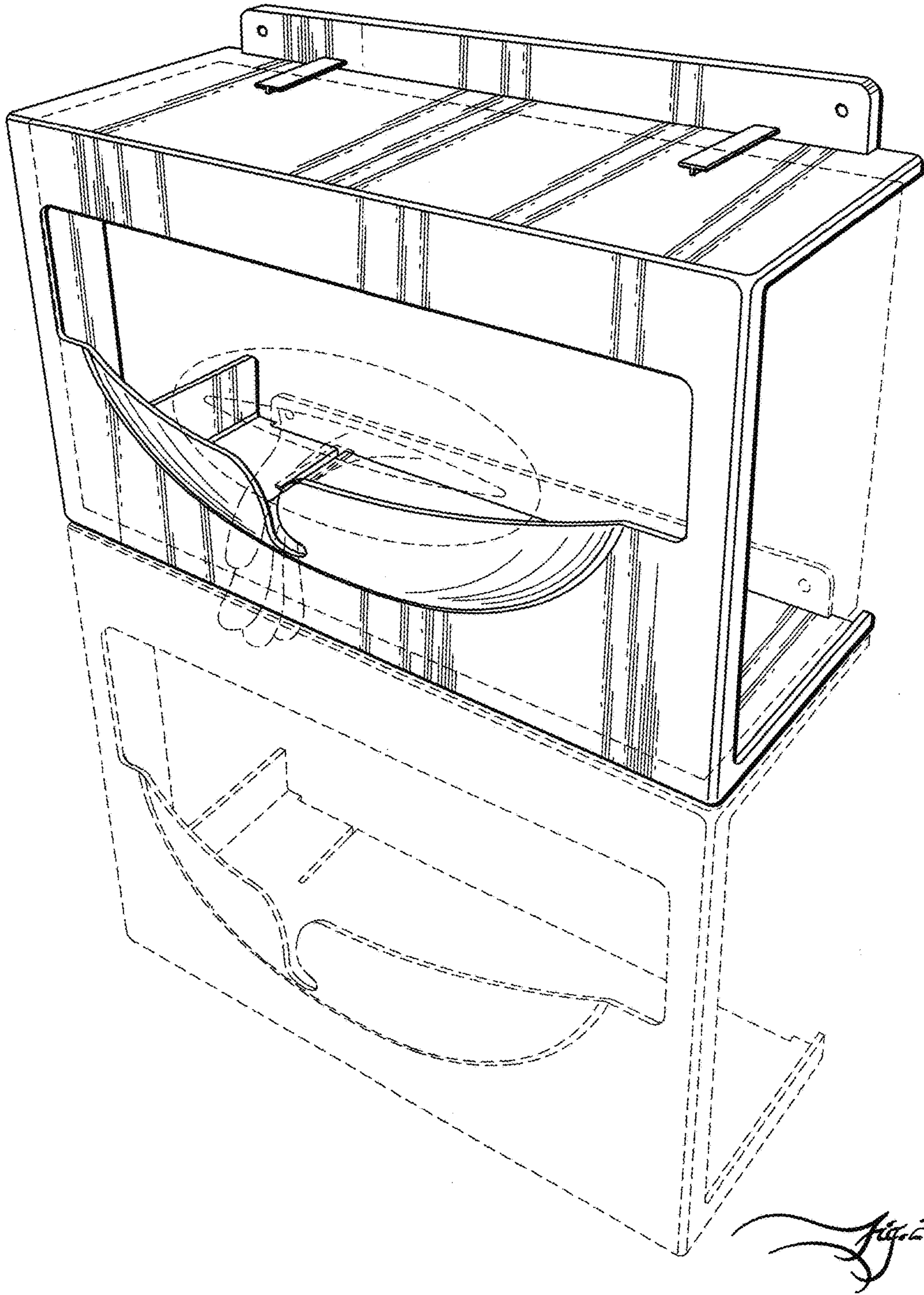
FOREIGN PATENT DOCUMENTS

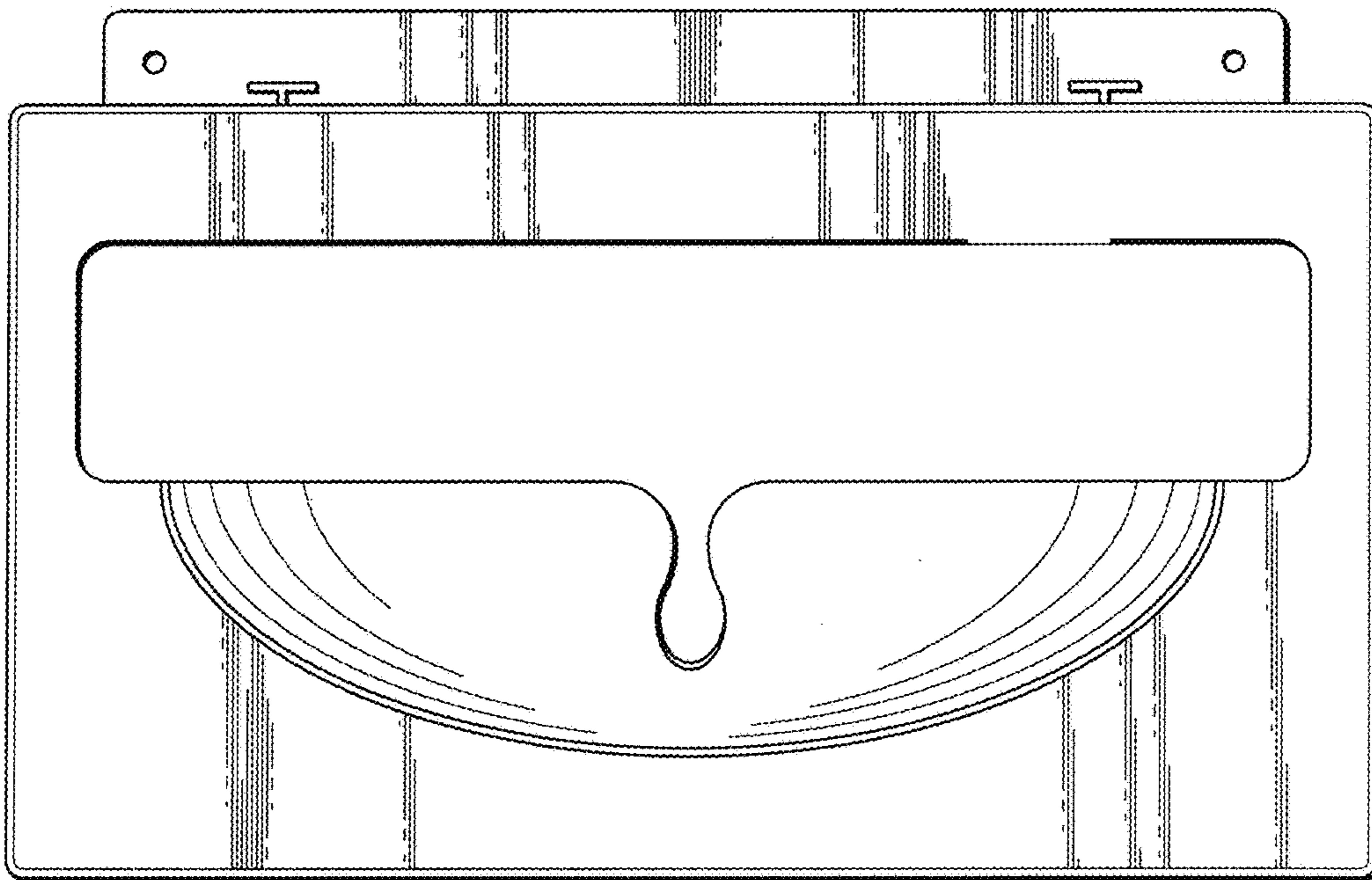
GB 2528242 A 1/2016 ..... A61B 50/20  
WO WO 2010086645 A1 8/2010 ..... B65D 5/10  
WO WO 2014148967 A1 9/2014 ..... A47F 5/01  
WO WO 2016124912 A1 8/2016 ..... B65H 35/10

\* cited by examiner

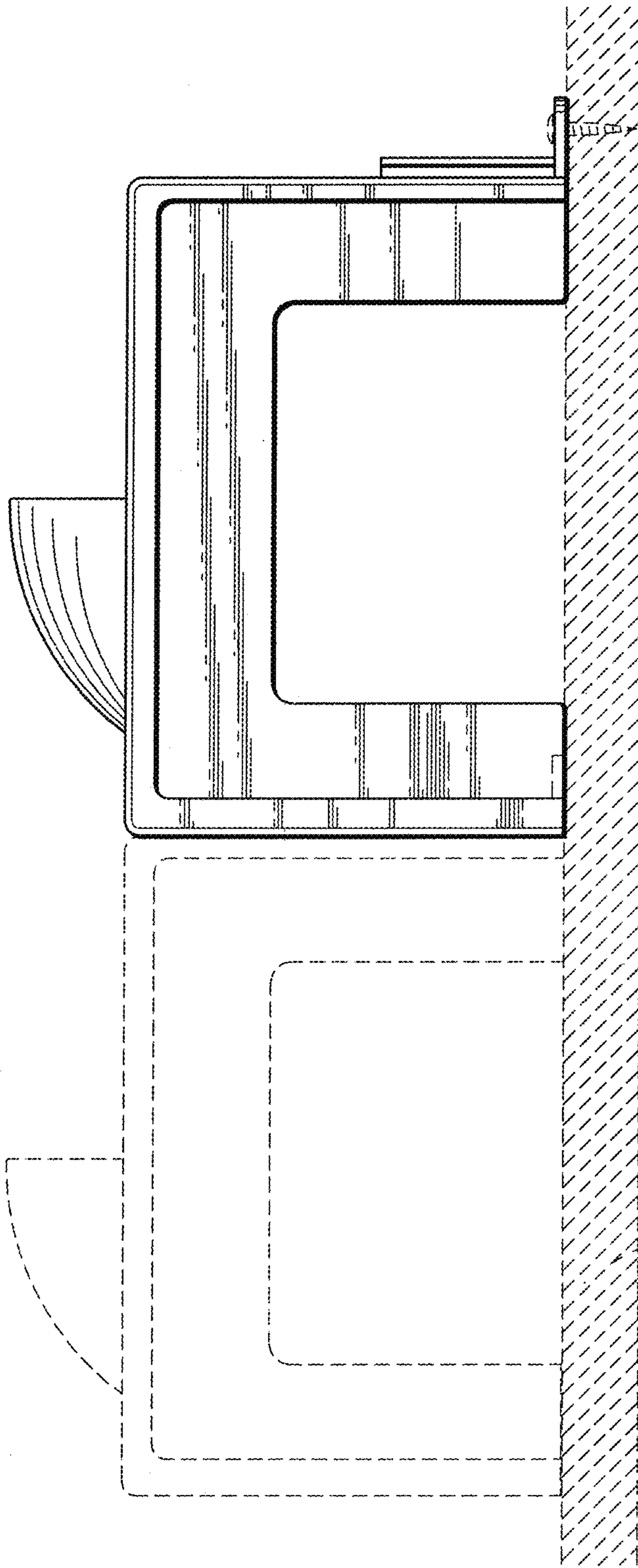


*Handwritten signature or mark*

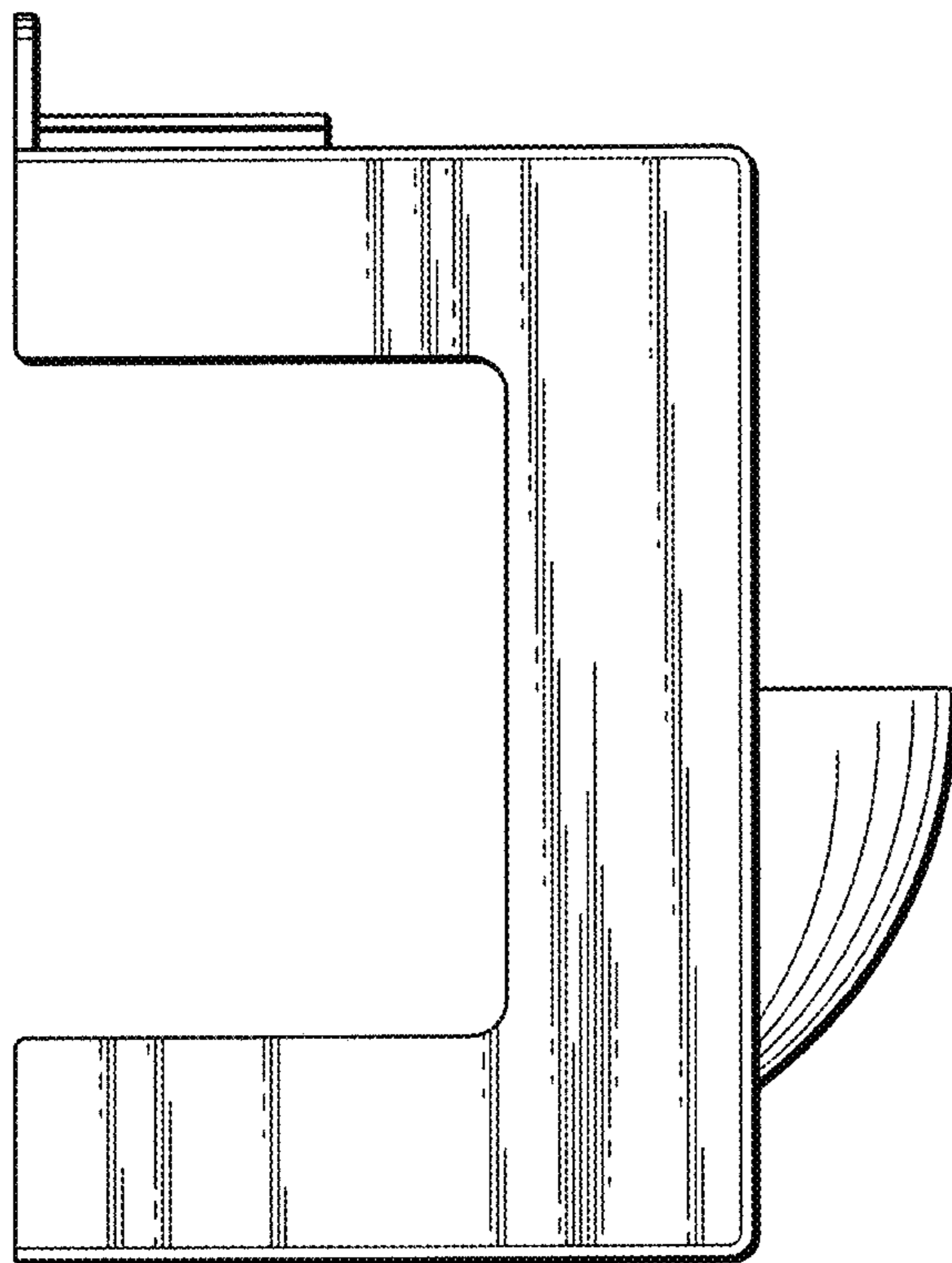




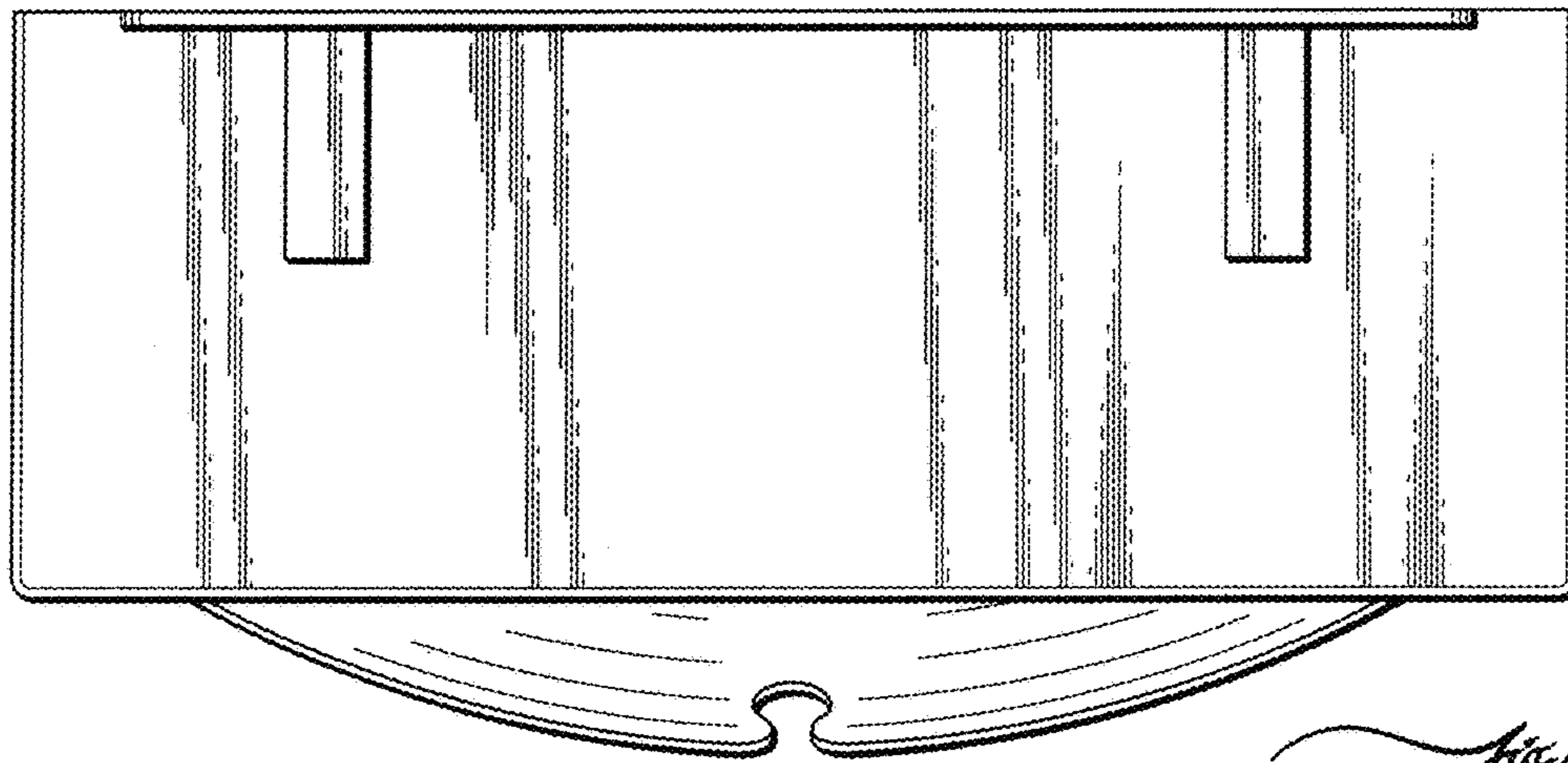
*Fig. 3*



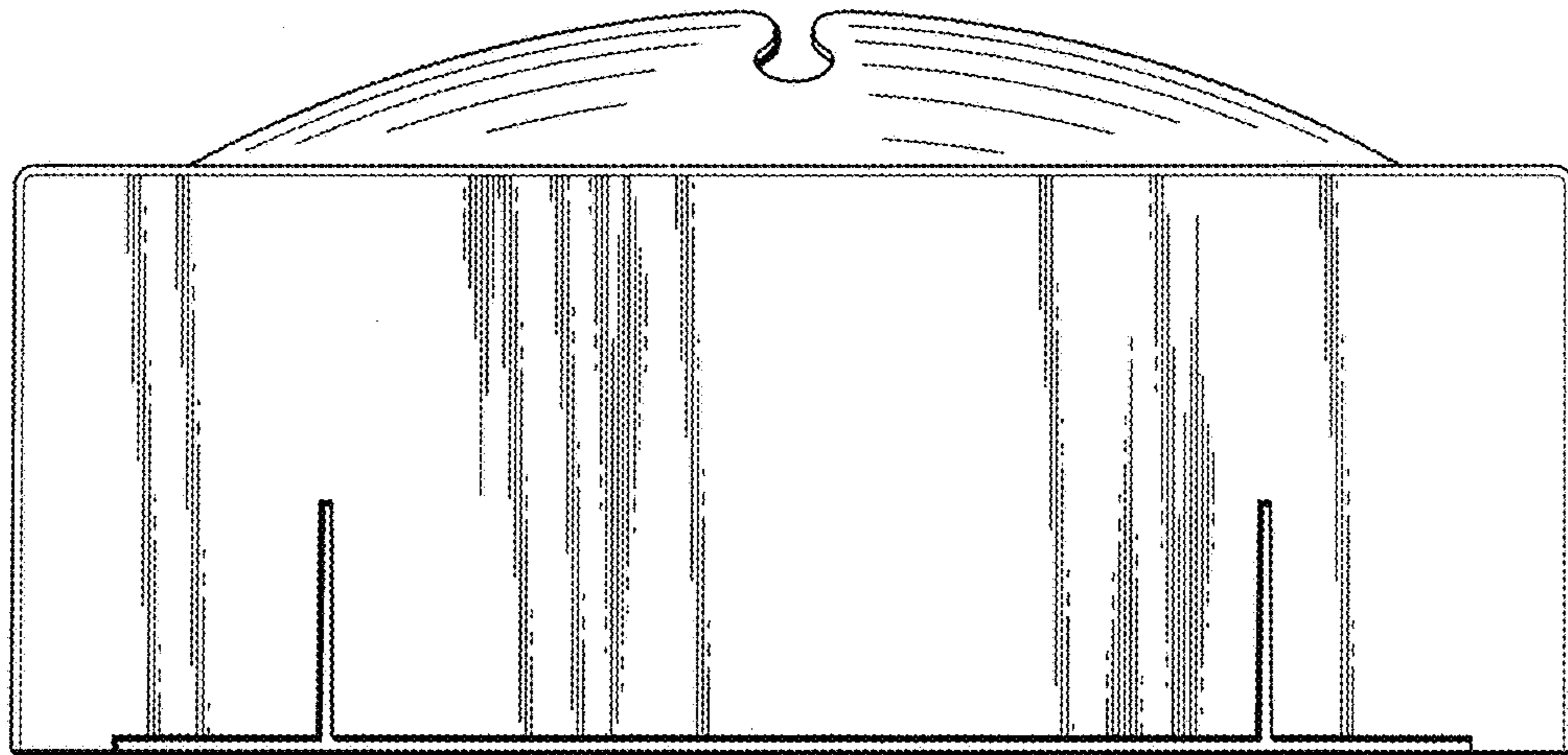
*Fig. 4*



*Fig. 5*

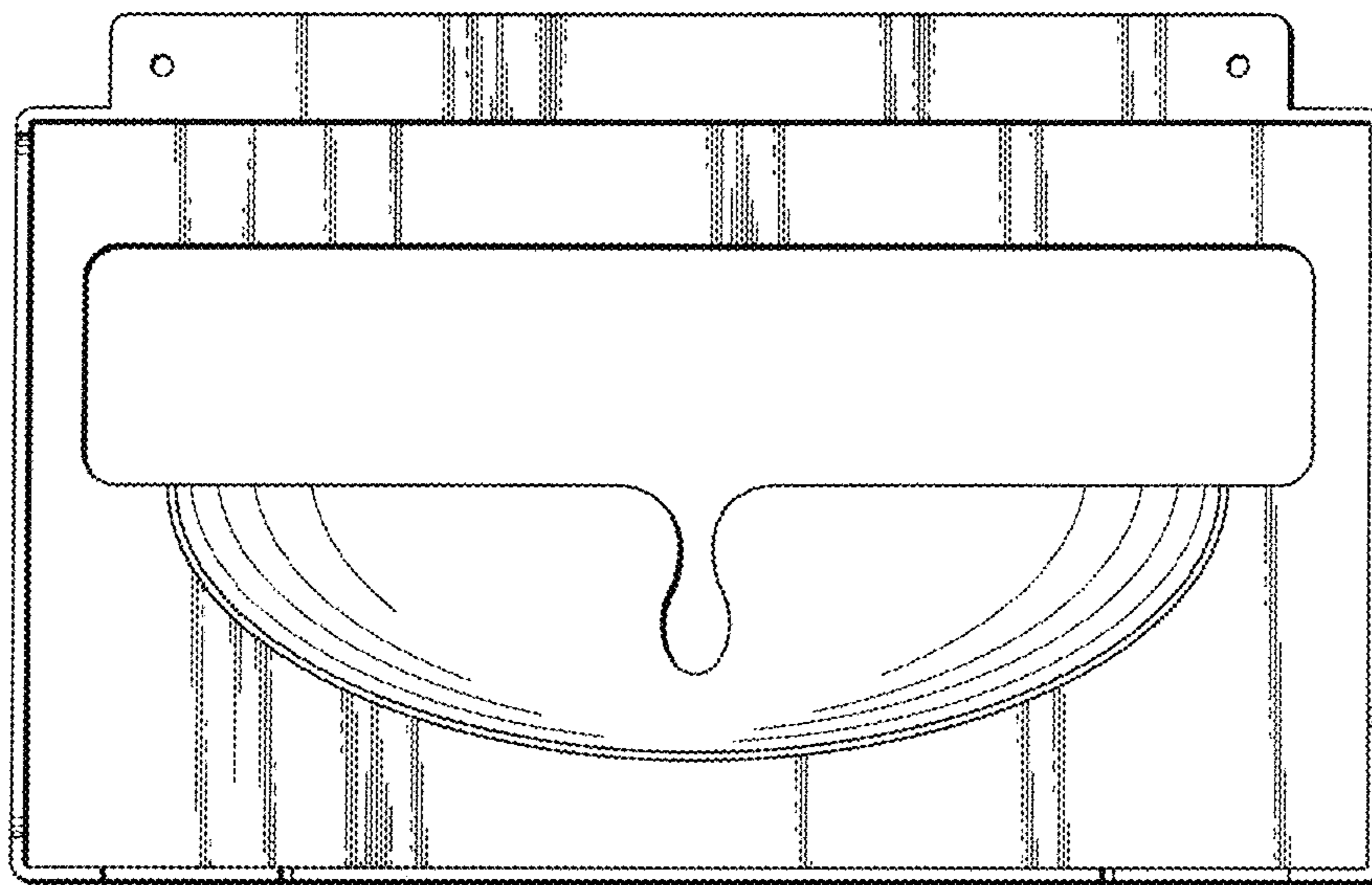


*Fig. 6*



*Fig. 7*





*Fig. 8*