



US00D809315S

(12) **United States Design Patent** (10) **Patent No.:** **US D809,315 S**
Grabowski et al. (45) **Date of Patent:** **** Feb. 6, 2018**

(54) **CHAIR**
(71) Applicant: **Paragon Furniture, Inc.**, Arlington, TX (US)
(72) Inventors: **Daniel Grabowski**, East Grand Rapids, MI (US); **Michael J. Sawadski**, Mount Prospect, IL (US); **Chris Brandel**, Chicago, IL (US); **Matthew Banach**, Gurnee, IL (US); **Dan Rucker**, Chicago, IL (US)

D270,211 S * 8/1983 Oberly D6/375
D289,120 S 4/1987 Chadwick et al.
4,852,944 A 8/1989 Hartmann
D390,024 S 2/1998 DeJule
5,810,438 A 9/1998 Newhouse
5,860,697 A 1/1999 Fewchuk
6,003,948 A 12/1999 Holbrook
D426,973 S 6/2000 Risdall
D427,444 S 7/2000 Risdall
6,116,692 A 9/2000 Tarnay et al.
D442,792 S 5/2001 Martin
6,250,718 B1 6/2001 Newhouse et al.
D456,164 S 4/2002 Vanderiet et al.
D456,650 S 5/2002 Ball et al.

(73) Assignee: **Paragon Furniture, Inc.**, Arlington, TX (US)

(Continued)

(**) Term: **15 Years**

OTHER PUBLICATIONS

(21) Appl. No.: **29/551,382**

Sales literature—Paragon A&D Chair, Mar. 7, 2013 (2 pages).
(Continued)

(22) Filed: **Jan. 13, 2016**

(51) **LOC (11) Cl.** **06-01**

(52) **U.S. Cl.**
USPC **D6/375**

(58) **Field of Classification Search**
USPC D6/336, 366, 367, 368, 374, 601, 611, D6/708.21, 716, 716.1, 716.2, 716.3, D6/716.4, 16.5, 354, 375, 356, 335, 348, D6/372, 376, 373, 334
CPC .. A47C 7/022; A47C 7/18; A47C 7/40; A47C 7/383; B60N 2/22; B60N 2/48; B60N 2/66; B60N 2/449; B60N 2/4882; B60N 2/067; B60N 2/0715
See application file for complete search history.

Primary Examiner — Kevin K Rudzinski
Assistant Examiner — Paul D Bohannon
(74) *Attorney, Agent, or Firm* — Ferguson Braswell
Fraser Kubasta PC; Elizabeth Philip Dahm; Kelly J. Kubasta

(57) **CLAIM**

The ornamental design for a chair, as shown and described.

DESCRIPTION

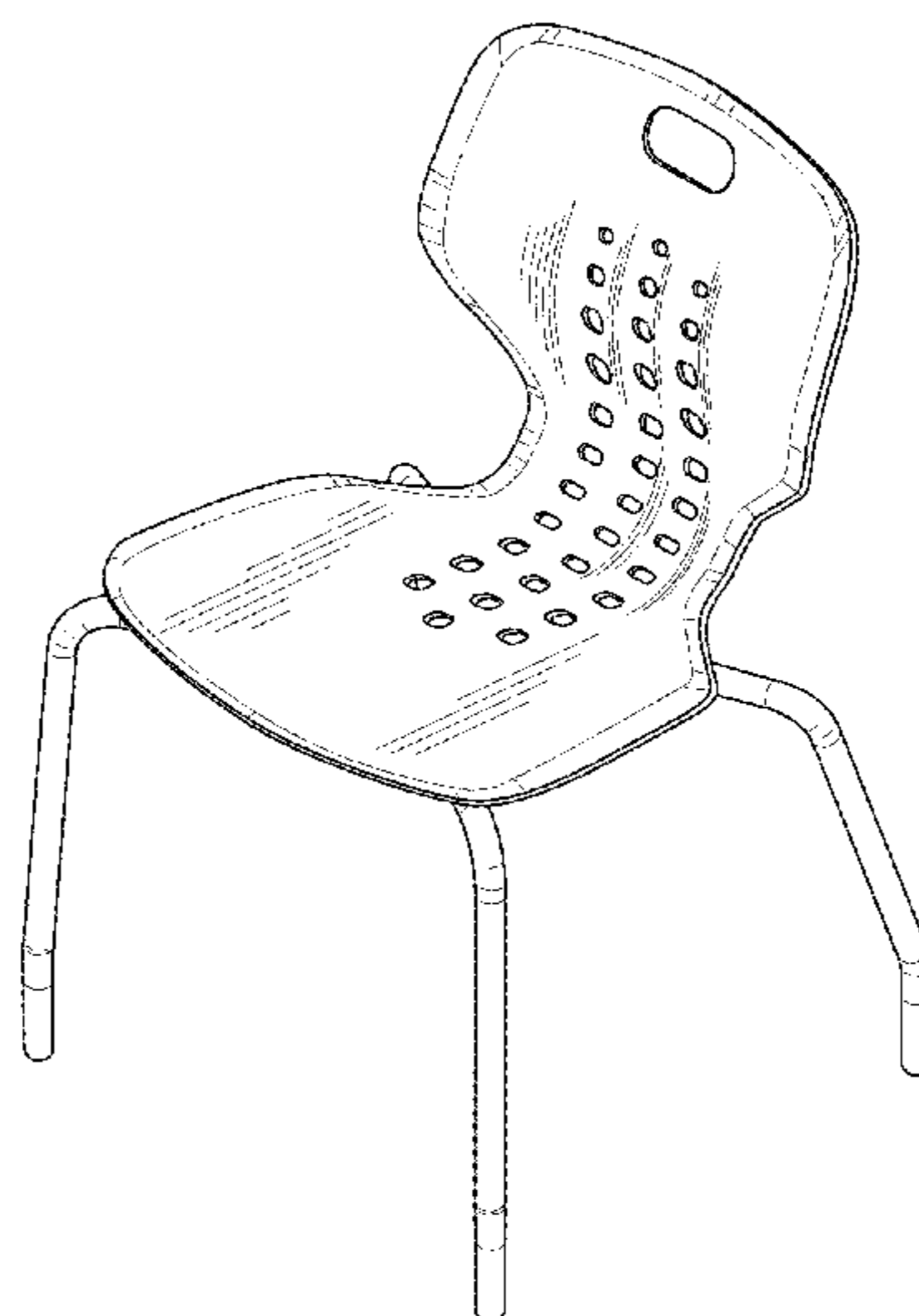
FIG. 1 is a front perspective view of a chair; FIG. 2 is a front view of the chair of FIG. 1; FIG. 3 is a rear view of the chair of FIG. 1; FIG. 4 is a right side of the chair of FIG. 1; FIG. 5 is a left side of the chair of FIG. 1; FIG. 6 is a top plan view of the chair of FIG. 1; and, FIG. 7 is a bottom plan view of the chair of FIG. 1. The broken lines, when present in the drawings, are for the purpose of illustrating the environment of the design and form no part of the claimed design.

(56) **References Cited**

U.S. PATENT DOCUMENTS

D197,643 S * 3/1964 Kramer D6/366
D220,388 S * 4/1971 Kramer D6/366
4,088,367 A 5/1978 Atkinson et al.
D255,183 S * 6/1980 Hermann D6/366
D255,185 S * 6/1980 Hermann D6/375

1 Claim, 7 Drawing Sheets



(56)

References Cited

U.S. PATENT DOCUMENTS

D470,320 S * 2/2003 Schloss D6/375
 D471,729 S 3/2003 Glass et al.
 D473,407 S * 4/2003 Ross D6/375
 6,739,663 B2 5/2004 Gaevvert
 D494,789 S * 8/2004 Brown D6/716
 D497,065 S 10/2004 Lucci et al.
 D499,260 S 12/2004 Glass et al.
 6,935,690 B2 8/2005 Lucci et al.
 D521,757 S * 5/2006 Glass D6/372
 D522,765 S * 6/2006 Babick D6/348
 D546,574 S 7/2007 Kaloustian
 D549,018 S * 8/2007 Glass D6/375
 D555,372 S * 11/2007 Lin D6/336
 D558,491 S 1/2008 Kane
 D566,979 S * 4/2008 Cox D6/375
 D572,049 S * 7/2008 Kerr D6/375
 D572,928 S * 7/2008 Rittfeldt D6/375
 D593,761 S 6/2009 Kaloustian
 D597,758 S 8/2009 Barrett et al.
 D598,663 S 8/2009 Hardt, II
 7,600,820 B2 10/2009 Bouche et al.
 D607,654 S 1/2010 Fewchuk
 D609,489 S * 2/2010 Adams D6/375
 D611,740 S * 3/2010 Koh D6/375
 7,794,022 B2 9/2010 Caruso et al.
 D638,230 S * 5/2011 Roy D6/366
 D638,232 S * 5/2011 Roy D6/376
 D643,225 S * 8/2011 Hurford D6/376
 D646,076 S * 10/2011 Levy D6/375
 D646,916 S 10/2011 Barrett et al.
 D648,561 S * 11/2011 Johansson D6/375
 D648,963 S 11/2011 Brodbeck
 D659,444 S * 5/2012 James D6/375
 D679,524 S 4/2013 Corcorran et al.
 D686,032 S 7/2013 Glass et al.

D686,857 S 7/2013 Fletcher
 D686,858 S 7/2013 Fletcher
 D693,588 S * 11/2013 Moore D6/375
 D707,461 S 6/2014 Rada et al.
 D728,959 S 5/2015 Lievore et al.
 D731,222 S 6/2015 Bosman
 D742,153 S 11/2015 Hui et al.
 D743,180 S 11/2015 Mehaffey et al.
 D753,945 S * 4/2016 Johnson A47C 3/04
 D6/375
 D766,639 S * 9/2016 Glass D6/373
 D794,372 S * 8/2017 Lin D6/368
 D796,883 S * 9/2017 Mehaffey D6/375
 2005/0012369 A1 1/2005 Mendenhall et al.
 2011/0193393 A1 8/2011 Welsh
 2012/0267934 A1 10/2012 Fewchuk
 2014/0077573 A1 3/2014 Schneider et al.
 2015/0289656 A1 10/2015 Saint Pierre et al.
 2017/0196360 A1 * 7/2017 Takagi A47C 7/40

OTHER PUBLICATIONS

Sales literature—KI Intellect Wave Classroom Furniture, 2015 (12 pages).
 Sales literature—VS Compass-LuPo Four Legged chair, Mar. 31, 2014 (1 page).
 Sales literature—VS PantoSwing-LuPo Forward-flexing cantilever chair, 3/24/2-14 (1 page).
 Sales literature—Smith System product catalog, 2015, (251 pages).
 Sales literature—Virco N2 Series 4-Leg Chair, no publication date (1 page).
 Sales literature—Virco Telos Stacking Chair, no publication date (1 page).
 Sales literature—Virco Zuma 4-Leg Chair, no publication date (1 page).

* cited by examiner

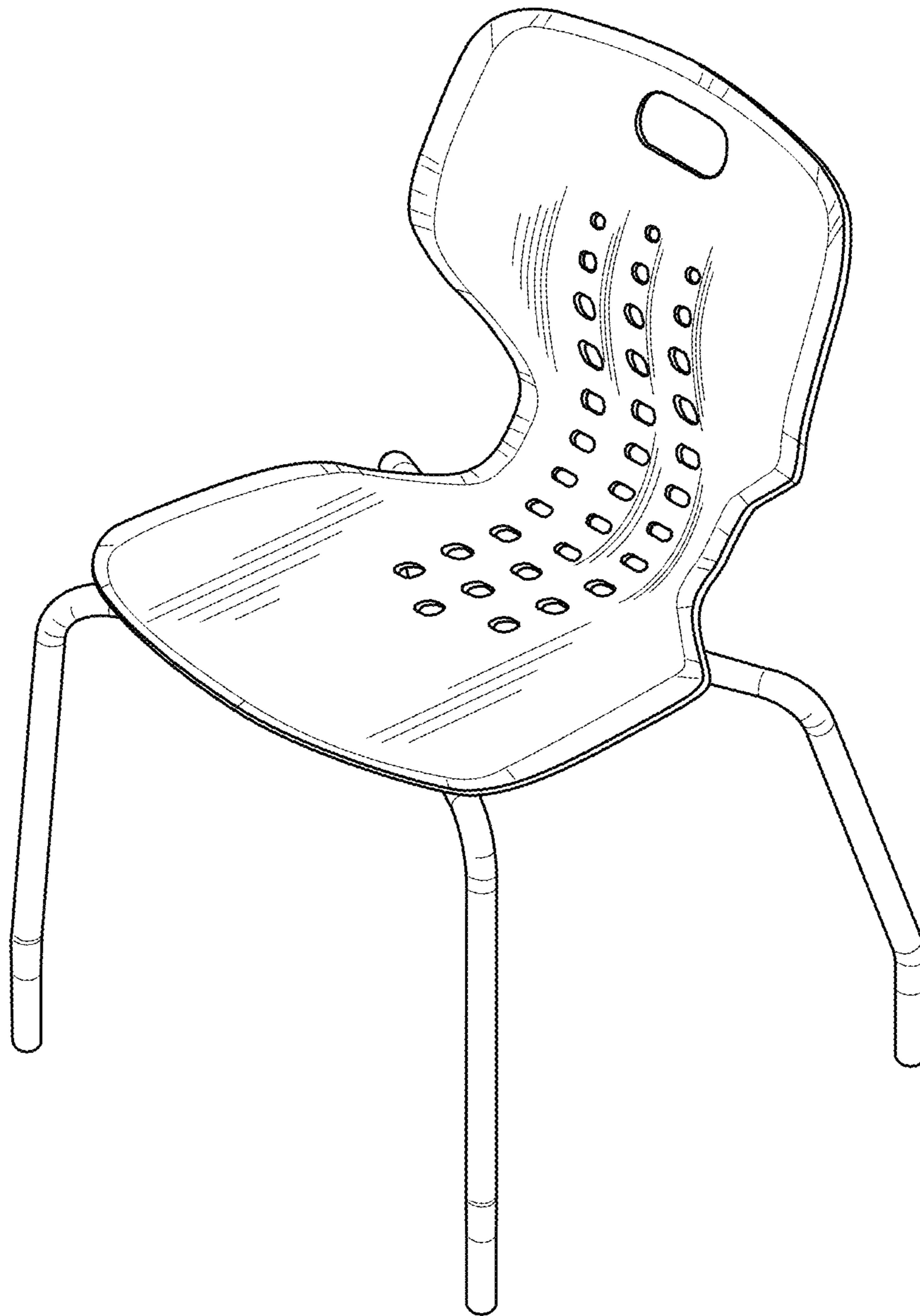


FIG. 1

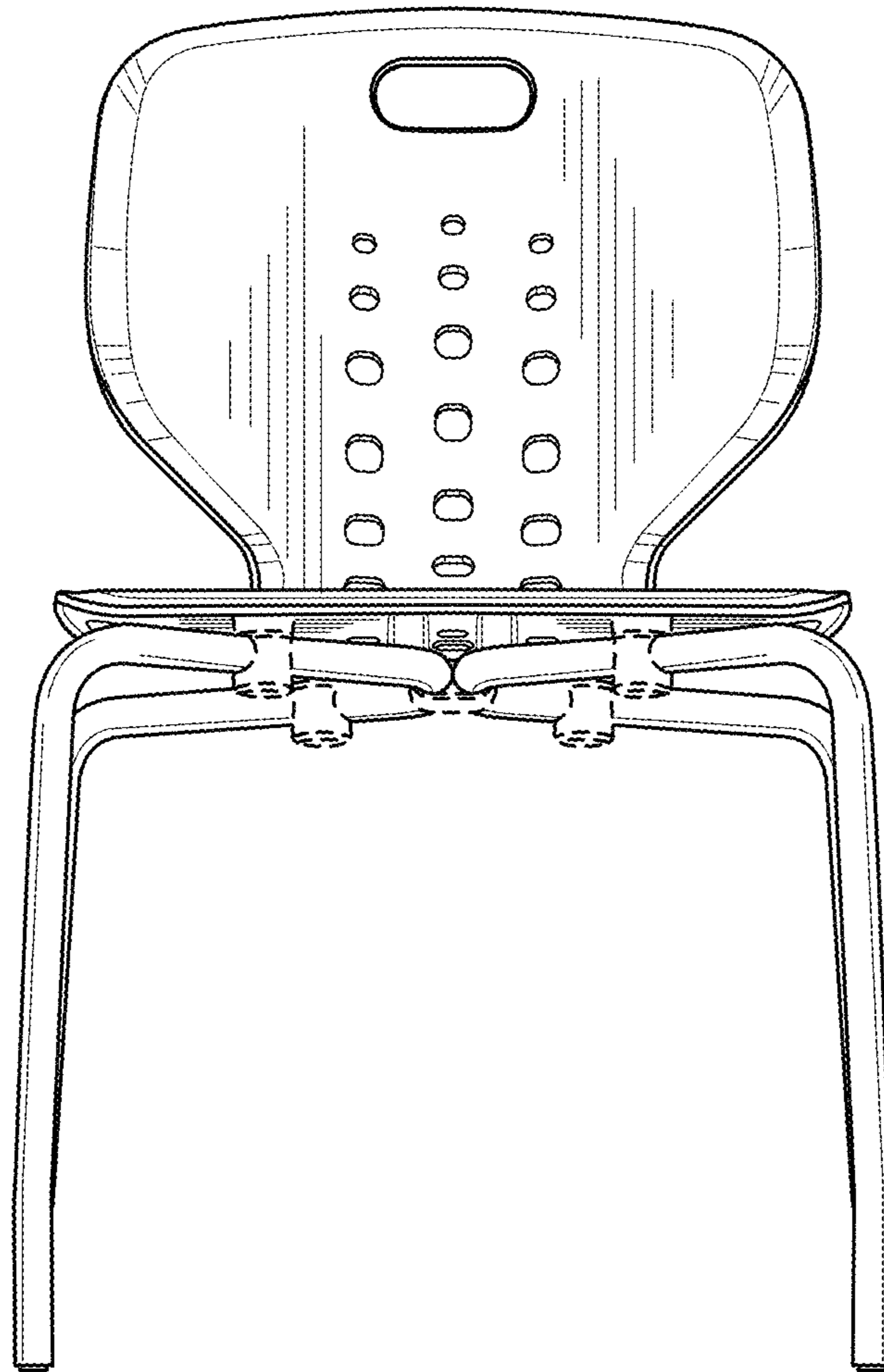


FIG. 2

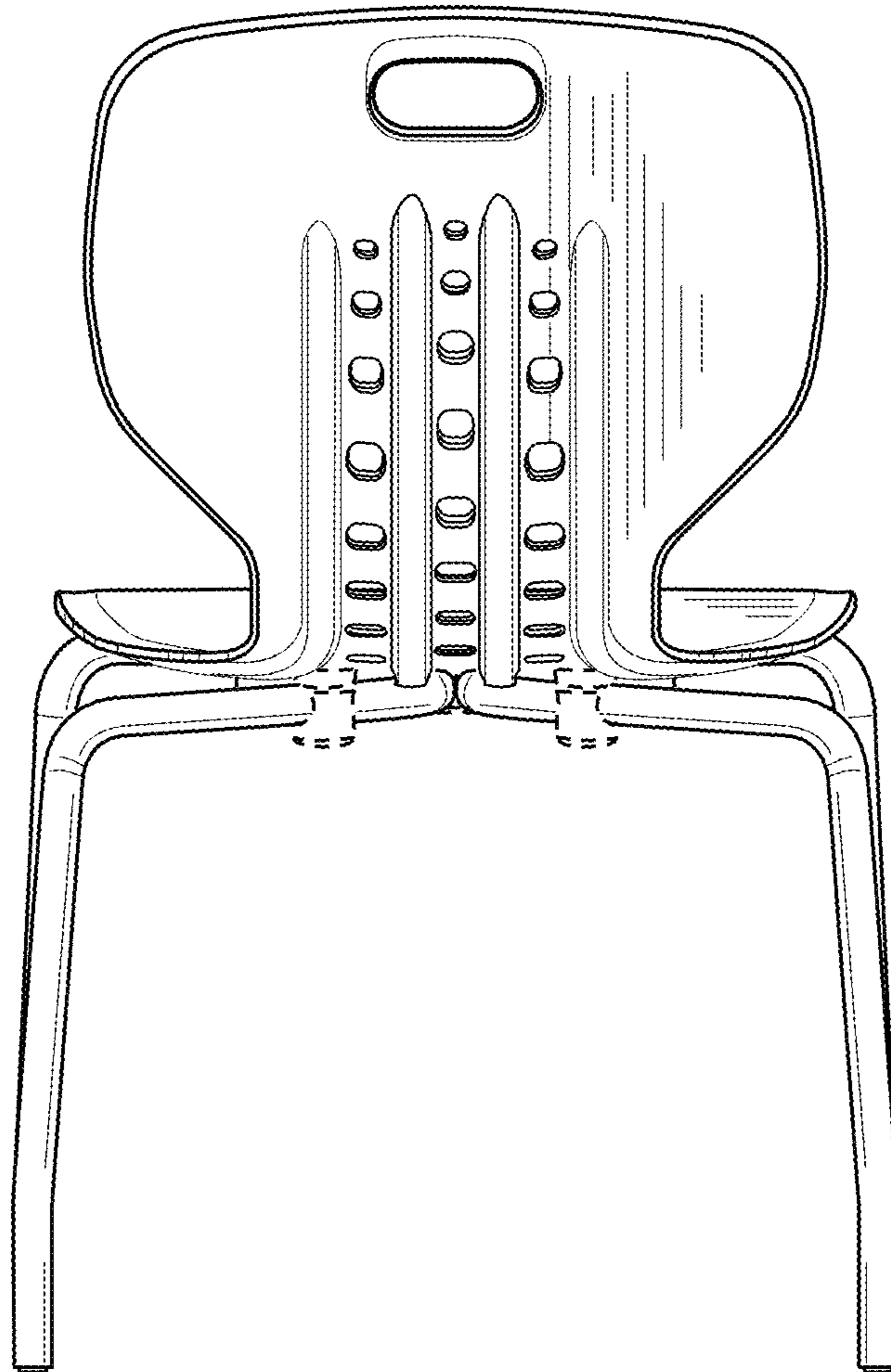


FIG. 3

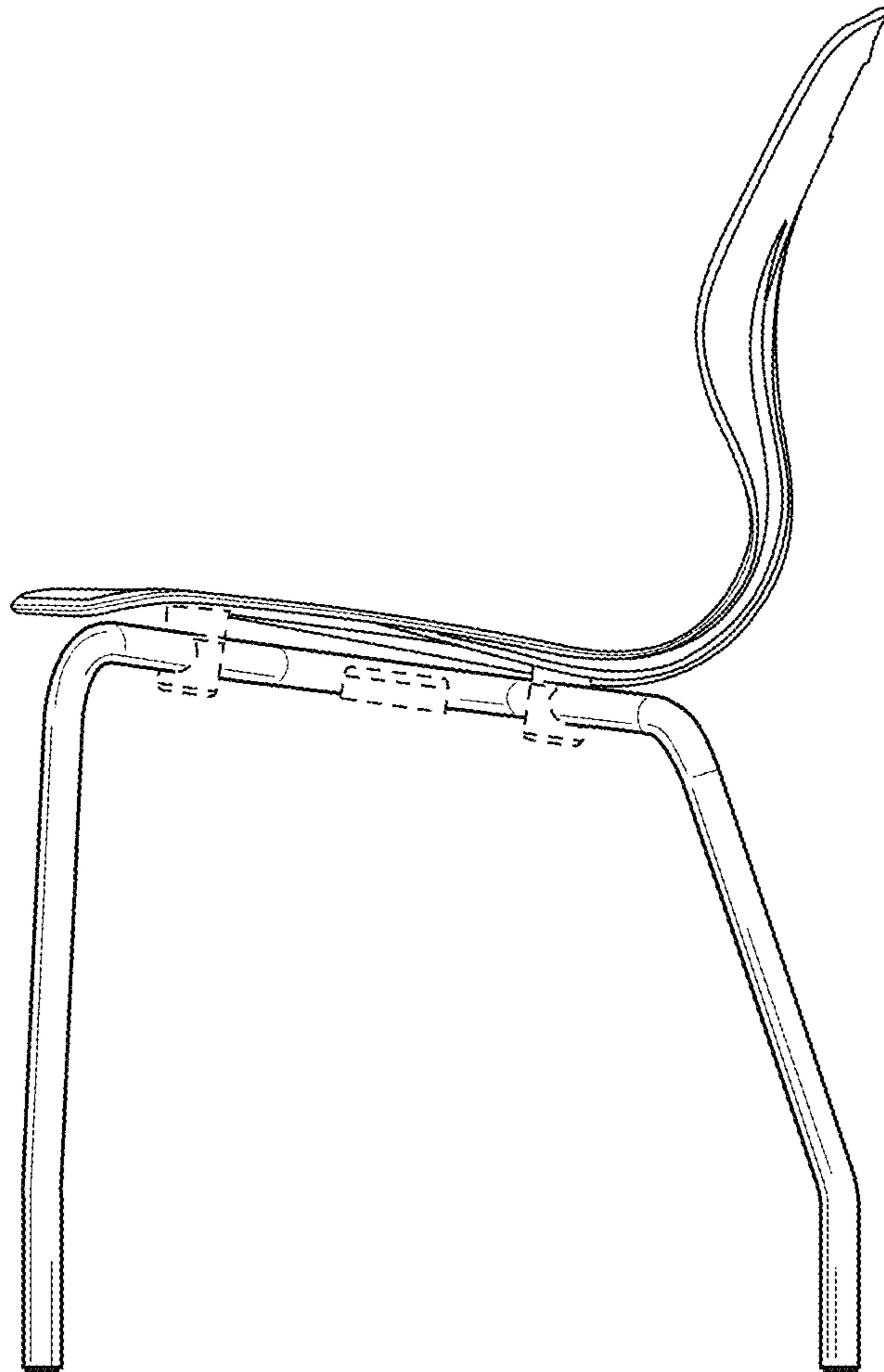


FIG. 4

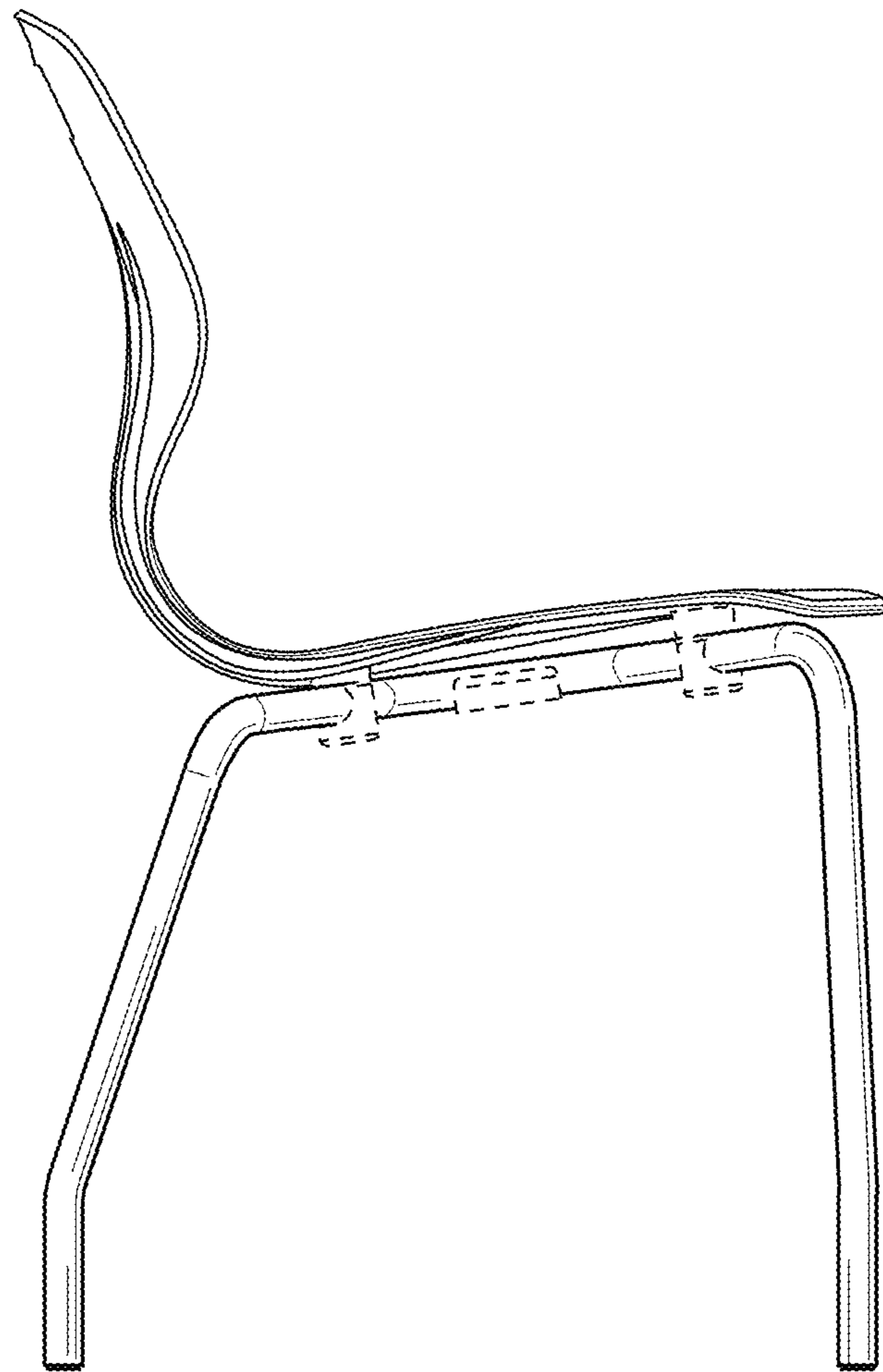


FIG. 5

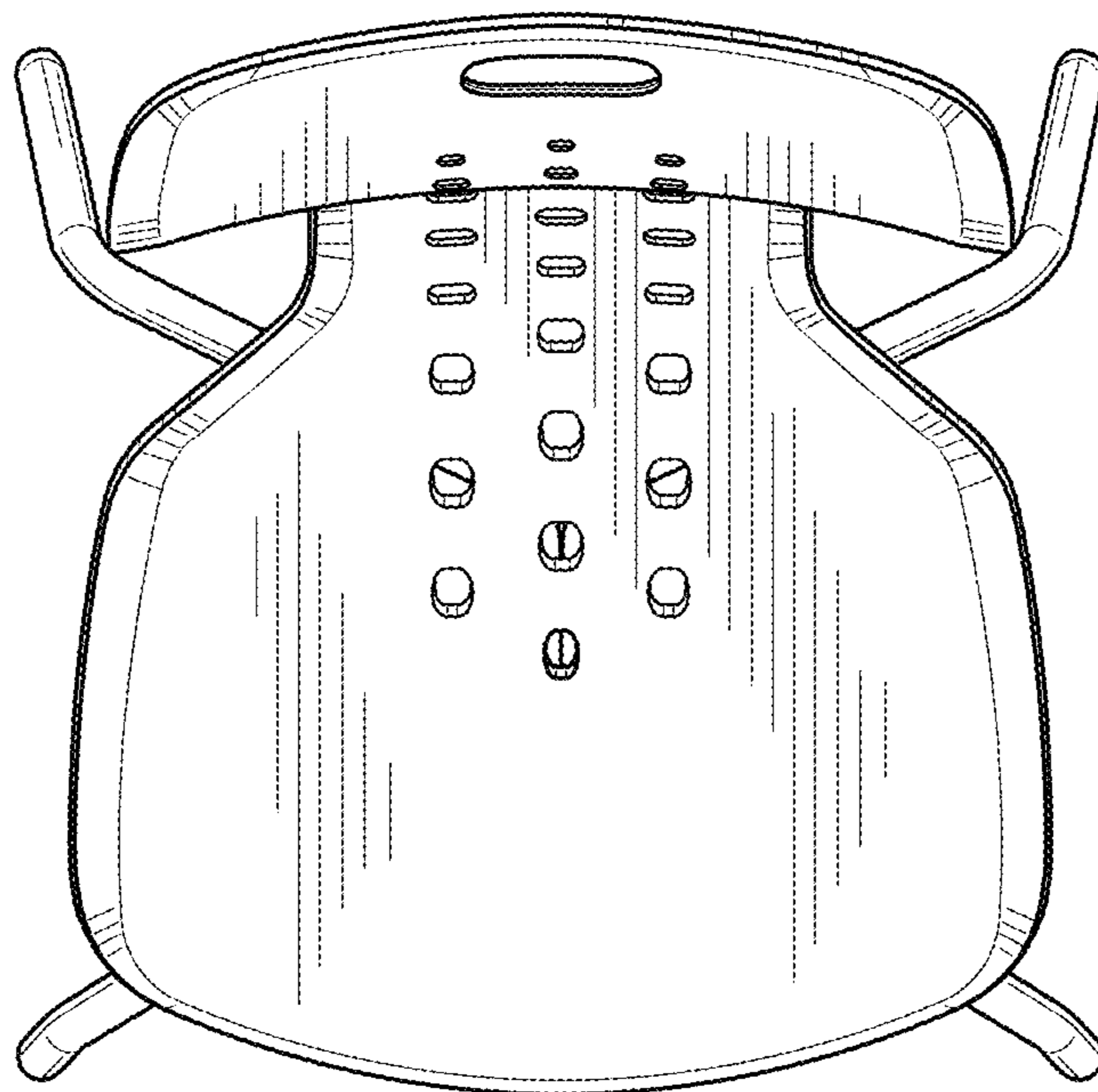


FIG. 6

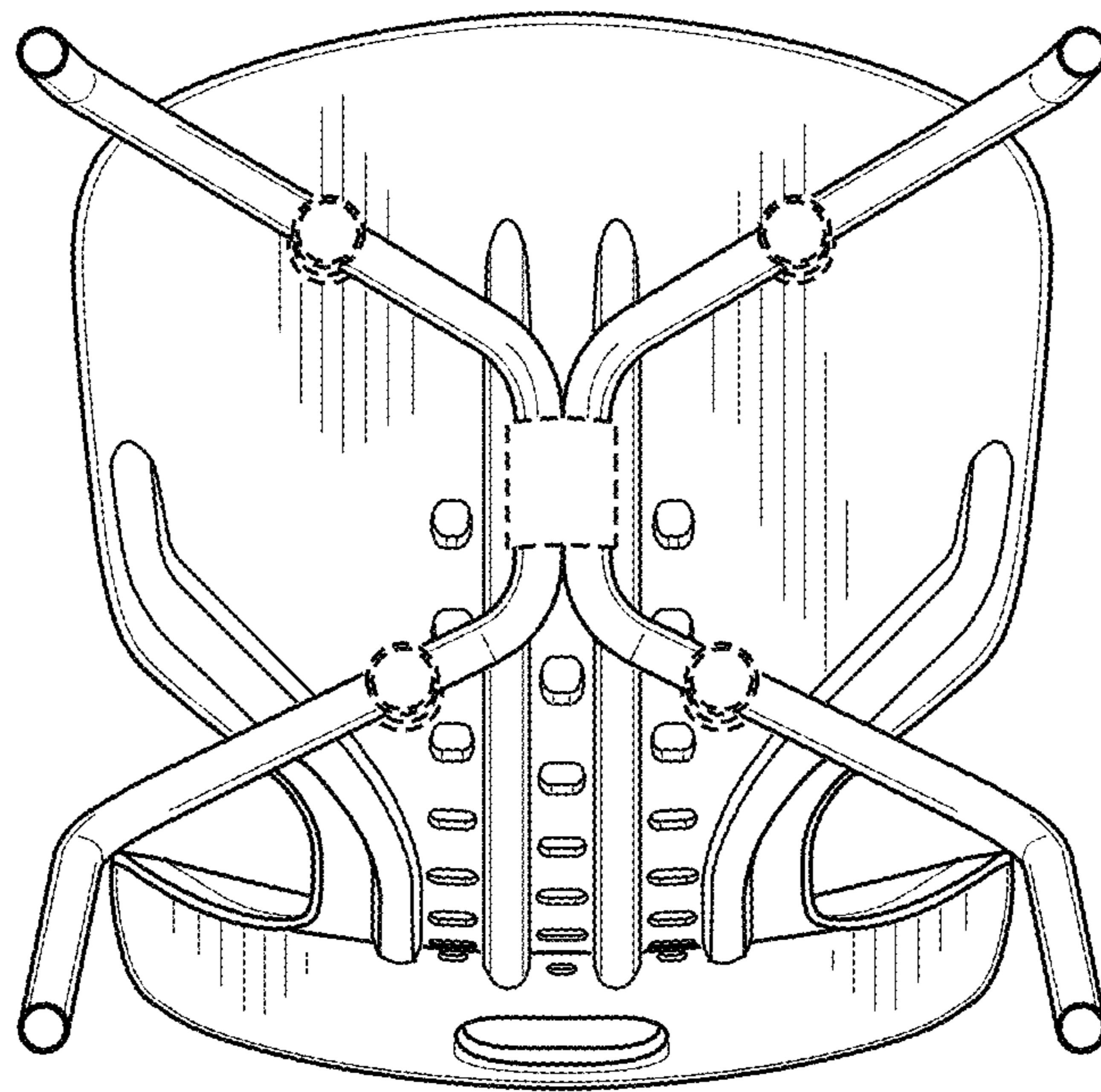


FIG. 7