



US00D809310S

(12) **United States Design Patent** (10) **Patent No.:** **US D809,310 S**
Mathur et al. (45) **Date of Patent:** **** Feb. 6, 2018**

(54) **STOOL**
(71) Applicant: **ARTCO-BELL CORPORATION**,
Temple, TX (US)
(72) Inventors: **Sharad Mathur**, Austin, TX (US);
Ryan Haase, Salado, TX (US)
(73) Assignee: **ARTCO-BELL CORPORATION**,
Temple, TX (US)

D406,470 S * 3/1999 Lin D6/349
D579,675 S * 11/2008 Paterson D6/349
D586,574 S * 2/2009 Gomree D6/350
D625,931 S * 10/2010 Estrup D6/349
D647,313 S * 10/2011 Chen D6/364
D671,757 S * 12/2012 Walker D6/349
D681,967 S * 5/2013 Schoolmeester D6/349
D689,704 S * 9/2013 Maggiar D6/351
D748,403 S * 2/2016 Walser D6/352
D767,290 S * 9/2016 Walser D6/352
2013/0341988 A1 * 12/2013 Walker A47C 9/10
297/423.17

(**) Term: **15 Years**

OTHER PUBLICATIONS

(21) Appl. No.: **29/561,666**

Müm™ . [online] Retrieved Jun. 13, 2017 from URL: http://www.psfurniture.com/products/seating/mum.*

(22) Filed: **Apr. 19, 2016**

(51) **LOC (11) Cl.** **06-01**

* cited by examiner

(52) **U.S. Cl.**

USPC **D6/352**

Primary Examiner — Vy N Koenig

(58) **Field of Classification Search**

USPC D6/349–353, 358–360, 364–367, 374,
D6/403–405, 601, 691–691.9, 692–692.6,
D6/703.6, 703.7, 705

(74) *Attorney, Agent, or Firm* — Nicholson De Vos
Webster & Elliott LLP

CPC A47C 9/00–9/105; A47C 7/00–7/02; A47C
16/00–16/04; A47B 7/00–7/02; A47B
3/00; A47B 3/02; A47B 3/04; A47B 3/12

(57) **CLAIM**

The ornamental design for a stool, as shown and described.

See application file for complete search history.

DESCRIPTION

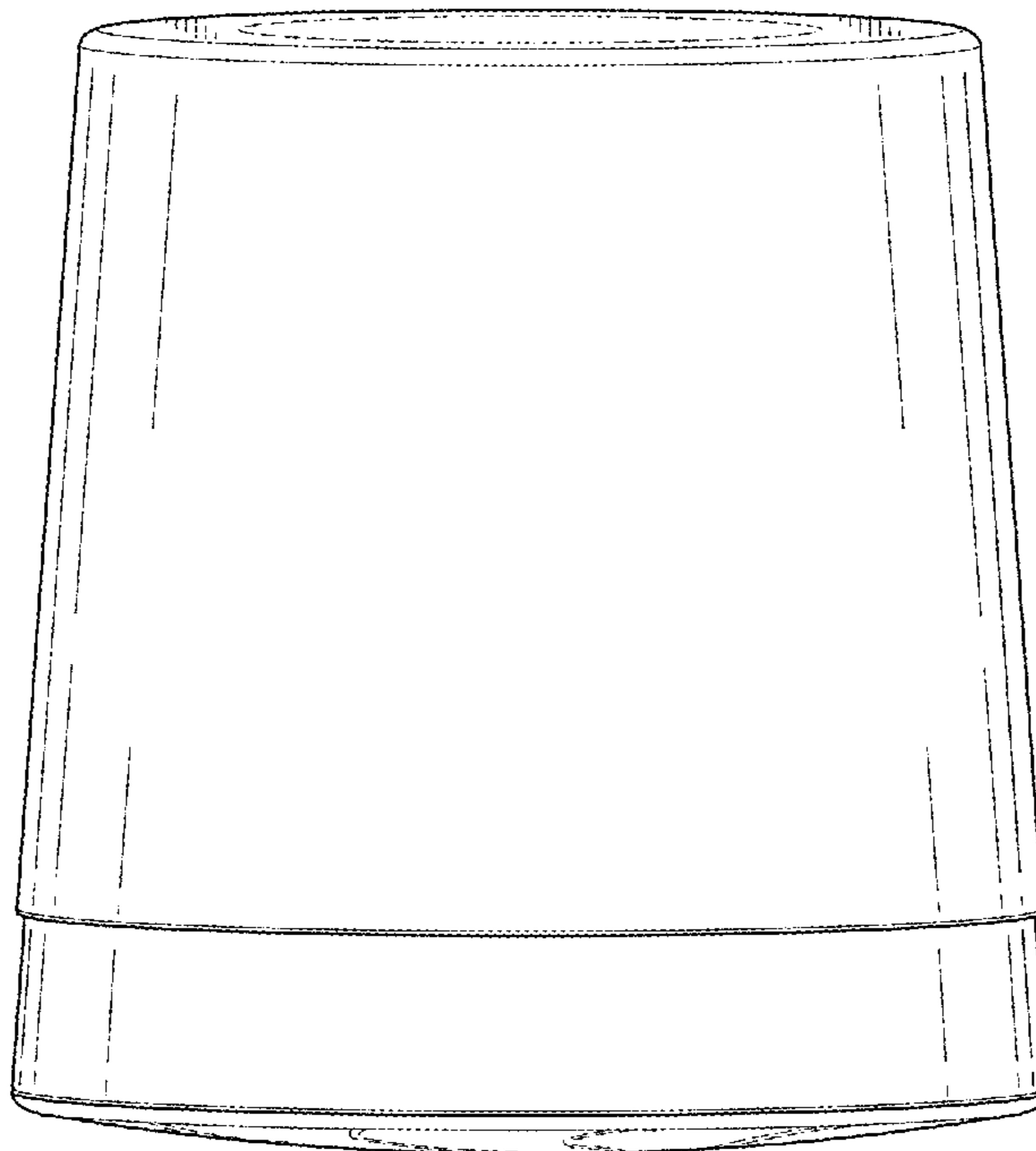
(56) **References Cited**

U.S. PATENT DOCUMENTS

3,797,695 A * 3/1974 Law A47C 9/10
108/118
D277,432 S * 2/1985 Appel D6/364
5,172,642 A * 12/1992 Iannuzzelli A47B 7/02
108/25

FIG. 1 is a front view of a stool;
FIG. 2 is a top view thereof;
FIG. 3 is a bottom view thereof;
FIG. 4 is a top and front perspective view thereof; and,
FIG. 5 is a bottom and rear perspective view thereof.
Broken lines depict environmental subject matter only and
form no part of the claimed design.

1 Claim, 4 Drawing Sheets



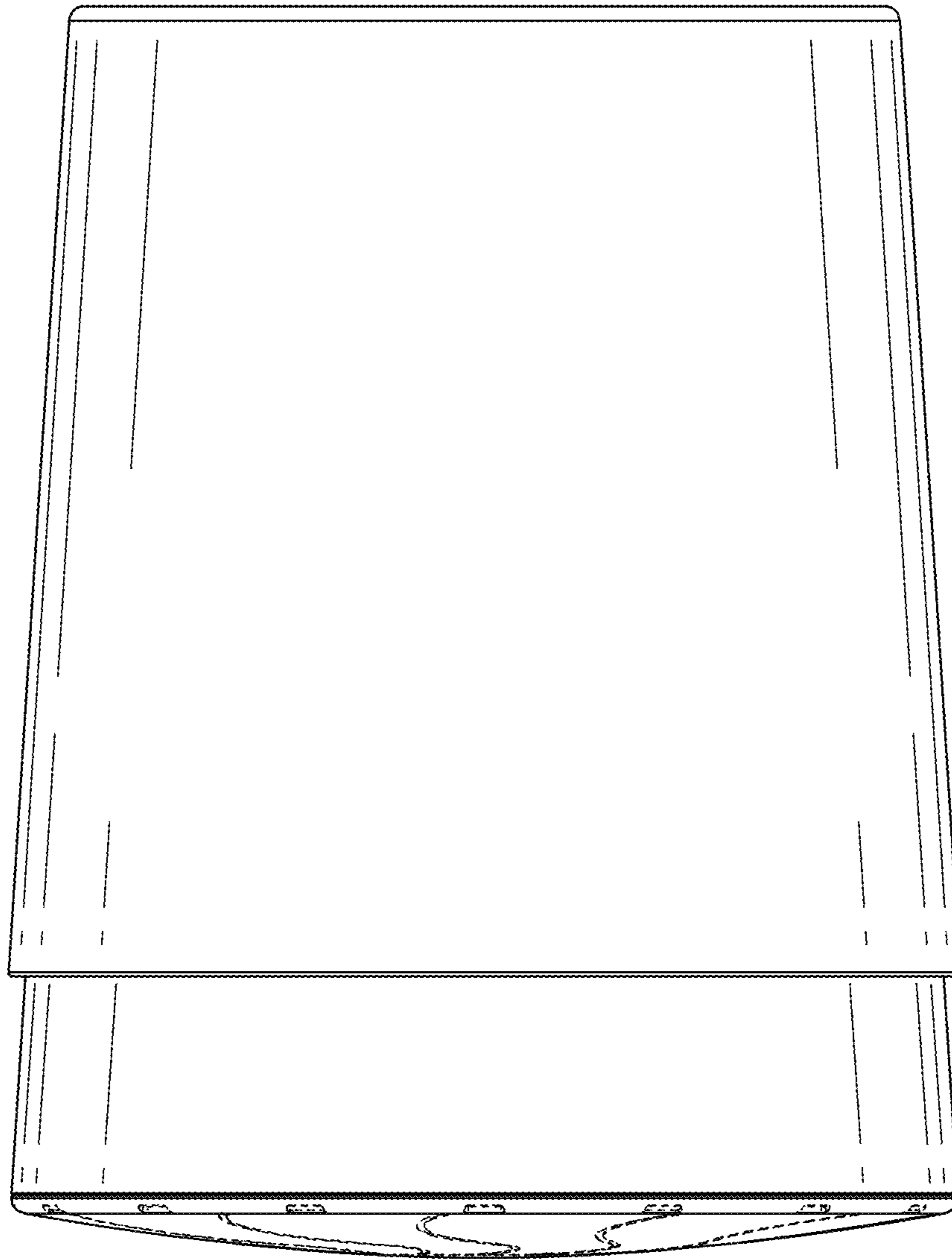


FIG. 1

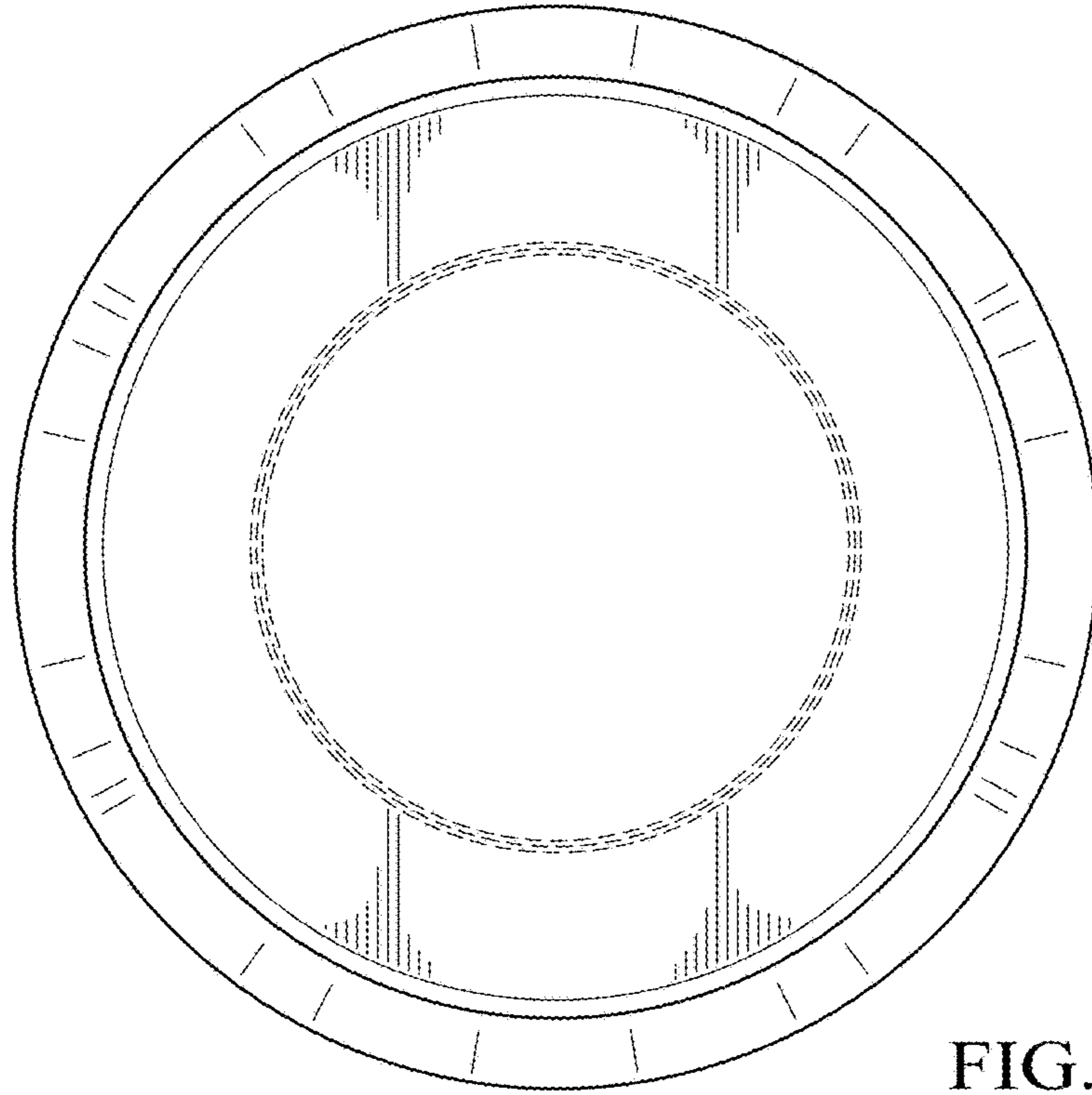


FIG. 2

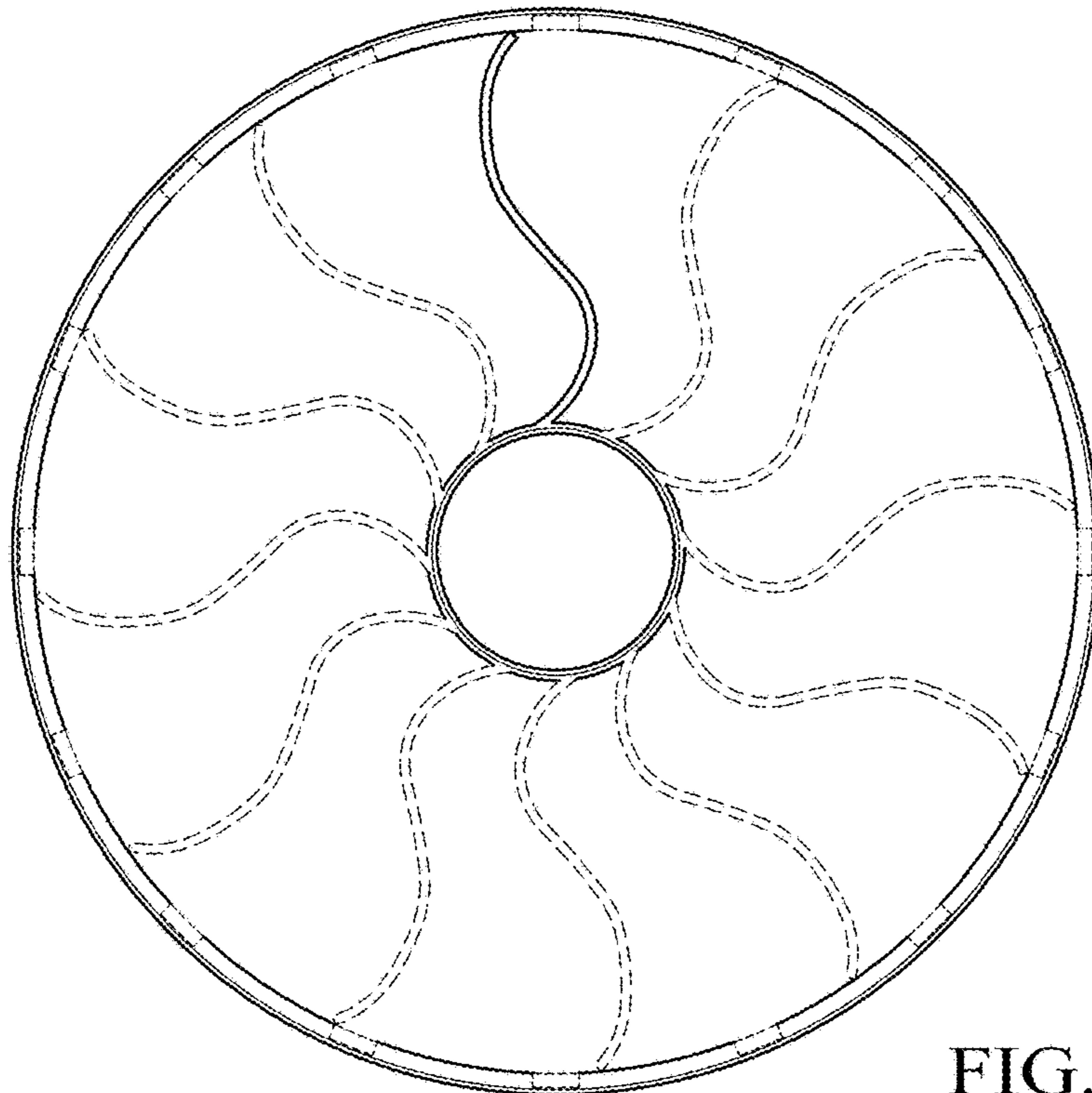


FIG. 3

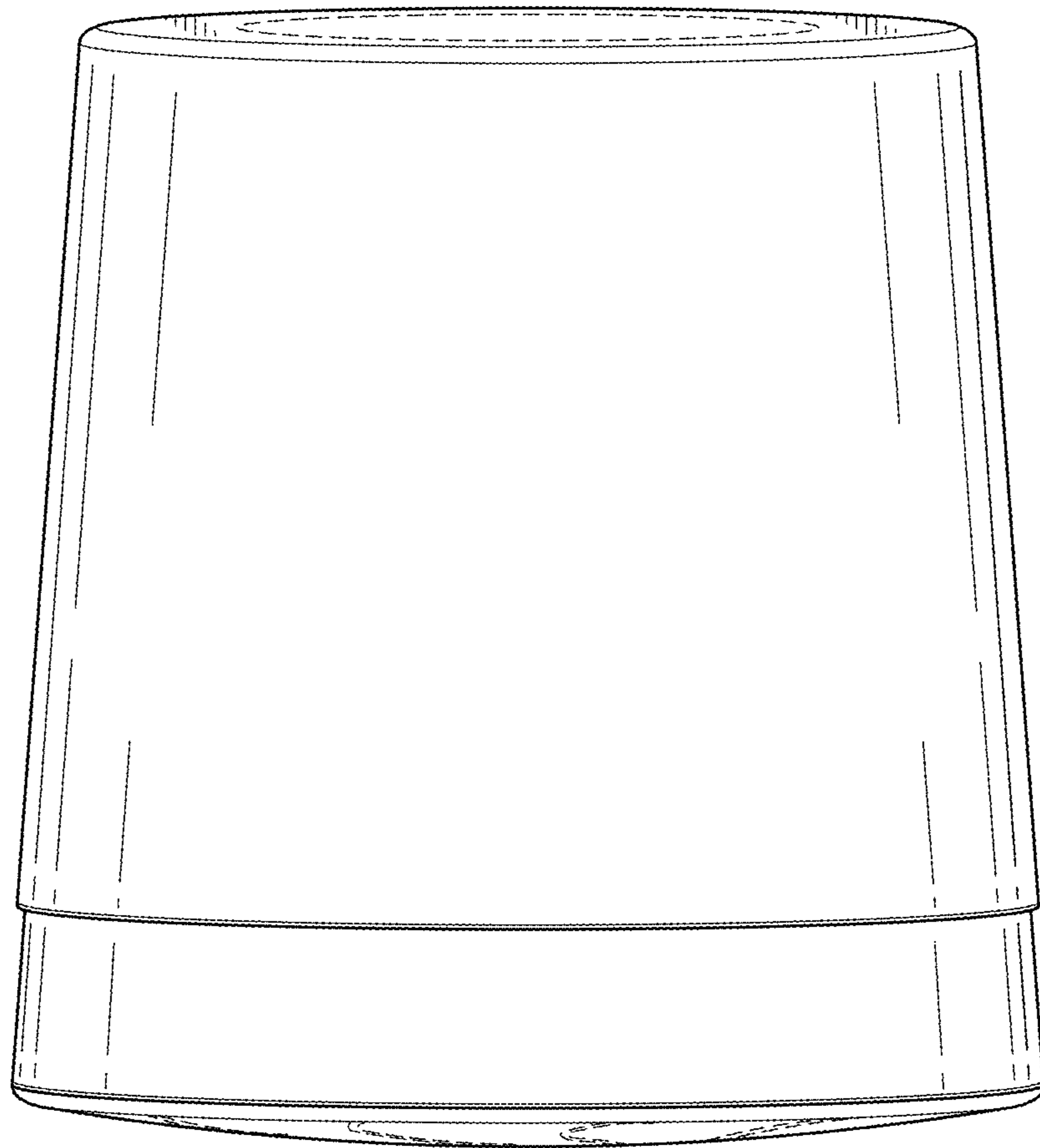


FIG. 4

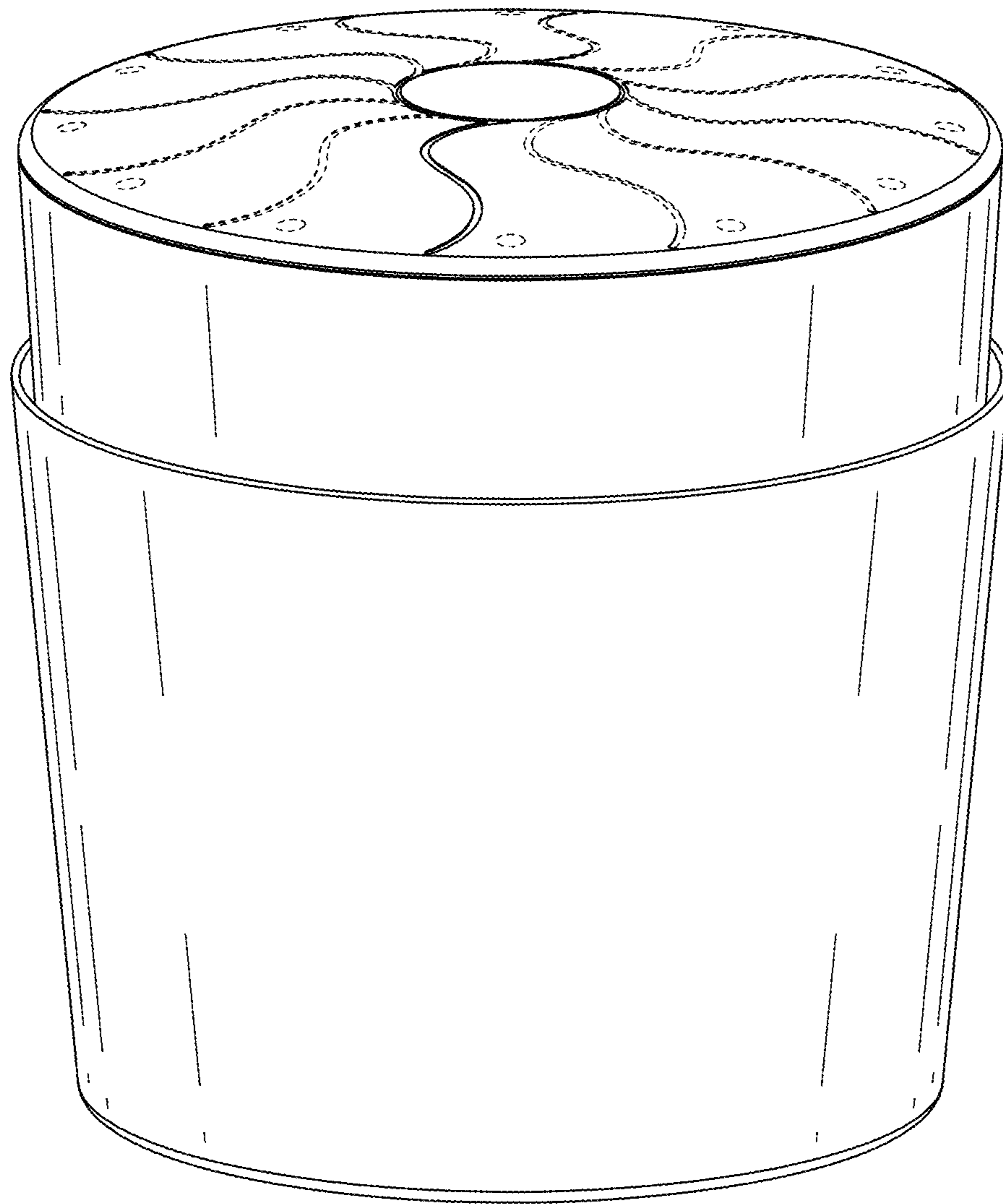


FIG. 5