



US00D809301S

(12) **United States Design Patent** (10) **Patent No.:** **US D809,301 S**
Clarke et al. (45) **Date of Patent:** **** Feb. 6, 2018**

(54) **LUGGAGE STAND**

(71) Applicants: **Tamar Clarke**, Berkshire (GB); **Tom Clarke**, Berkshire (GB)

(72) Inventors: **Tamar Clarke**, Berkshire (GB); **Tom Clarke**, Berkshire (GB); **Campbell Douglas Gower**, Wellington (NZ); **Nina Shin**, Wellington (NZ); **Andrew Mawson**, Wellington (NZ)

(73) Assignees: **Tamar Clarke**, Berkshire (GB); **Tom Clarke**, Berkshire (GB)

(**) Term: **15 Years**

(21) Appl. No.: **29/583,310**

(22) Filed: **Nov. 3, 2016**

(30) **Foreign Application Priority Data**

May 3, 2016 (NZ) 421538

(51) **LOC (11) Cl.** **03-01**

(52) **U.S. Cl.**
USPC **D3/318**

(58) **Field of Classification Search**
USPC D3/318
CPC A45C 5/14; A45C 11/38; A45C 13/08; A45C 13/26

See application file for complete search history.

(56) **References Cited**

U.S. PATENT DOCUMENTS

5,291,976 A *	3/1994	Ku	A45C 5/14
				16/113.1
6,176,357 B1 *	1/2001	Kuo	A45C 5/14
				190/115
D472,713 S *	4/2003	Lee	D3/318
D489,531 S *	5/2004	Oh	D3/318
D570,601 S *	6/2008	Drew	D3/318
D710,107 S *	8/2014	Sangirardi	D3/318

* cited by examiner

Primary Examiner — Holly H Baynham

(74) *Attorney, Agent, or Firm* — Advitam IP, LLC

(57) **CLAIM**

The ornamental design for a luggage stand, as shown and described.

DESCRIPTION

FIG. 1 is a front perspective view of a luggage stand; FIG. 2 is a front view of a luggage stand; FIG. 3 is a rear perspective view of a luggage stand; FIG. 4 is a rear view of a luggage stand; FIG. 5 is a side view of a luggage stand; and, FIG. 6 is a top view of a luggage stand. The broken lines showing stitching are for the purposes of illustrating environment and form no part of the claimed design.

1 Claim, 6 Drawing Sheets

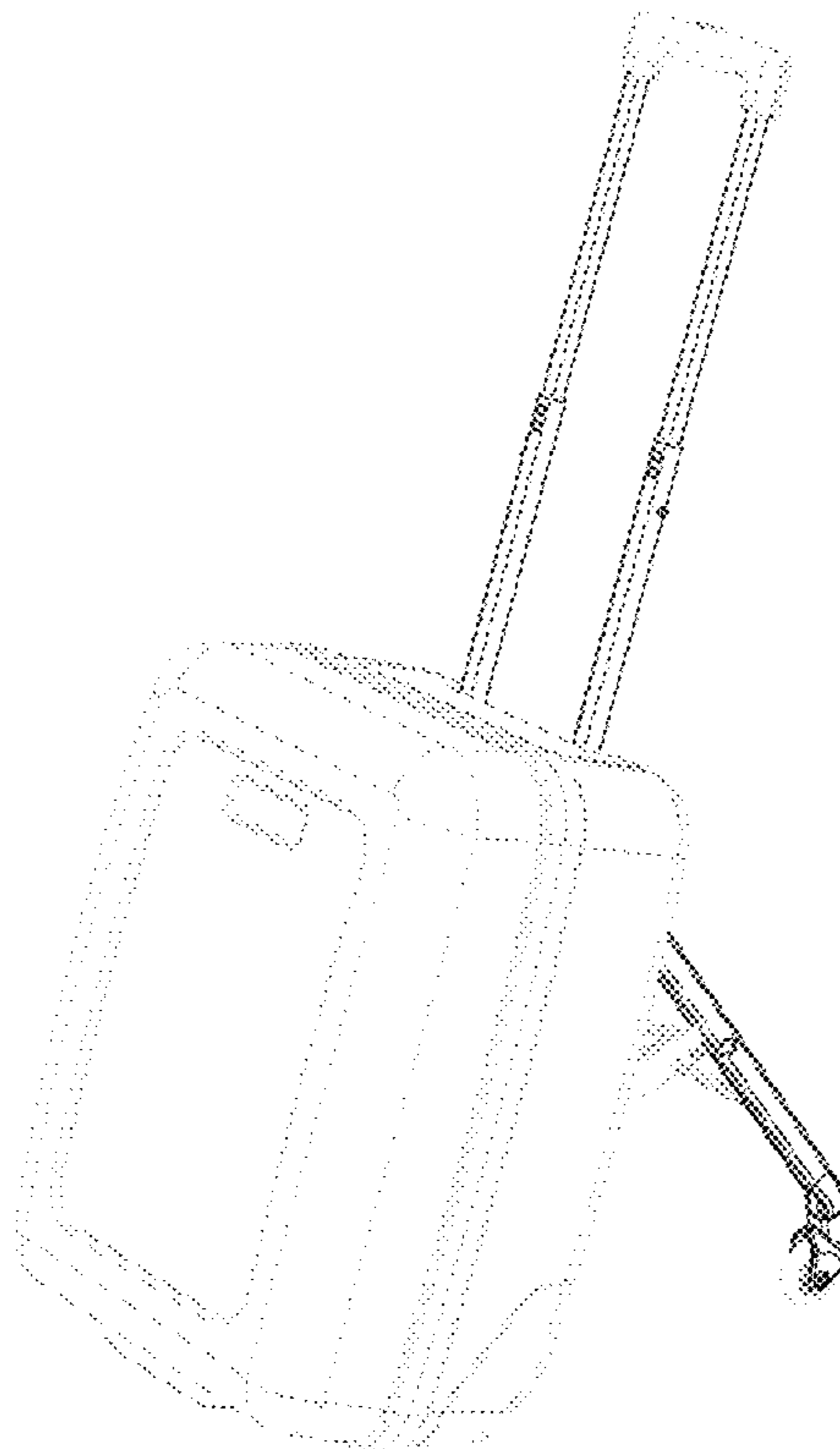




FIG. 1

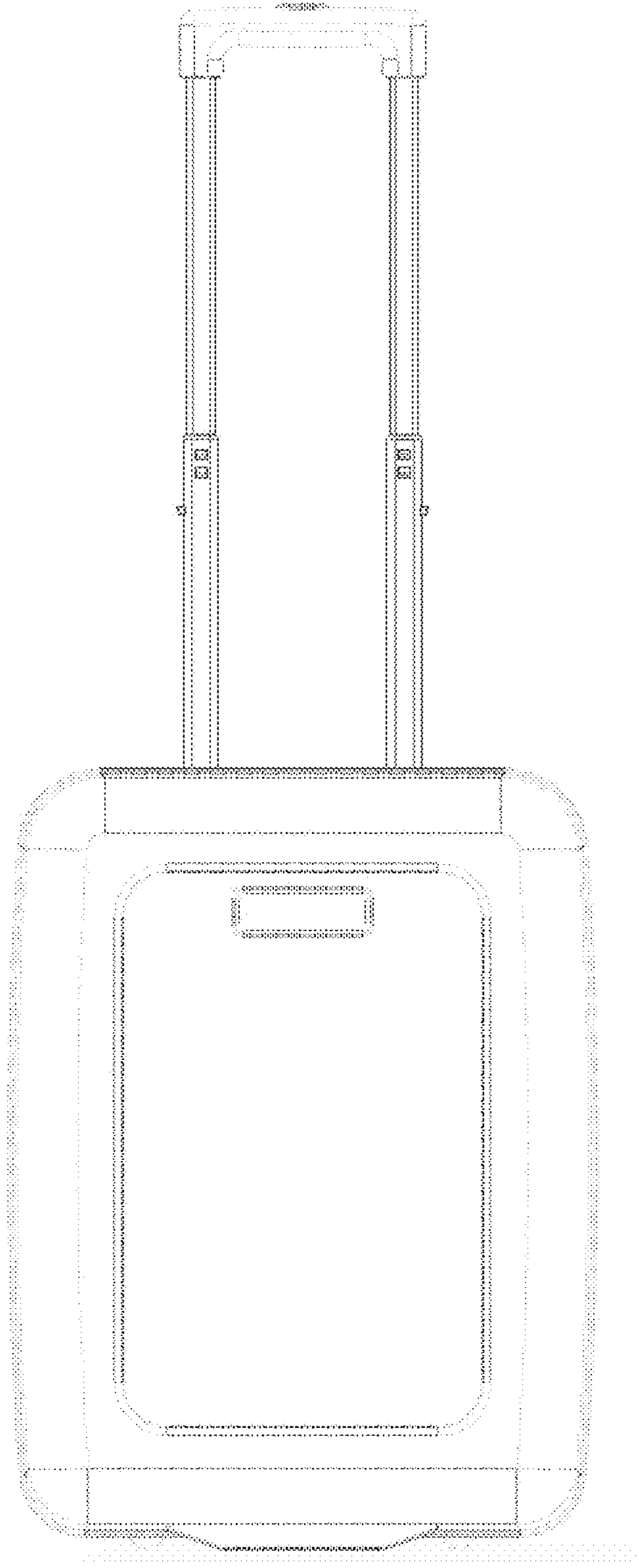


FIG. 2

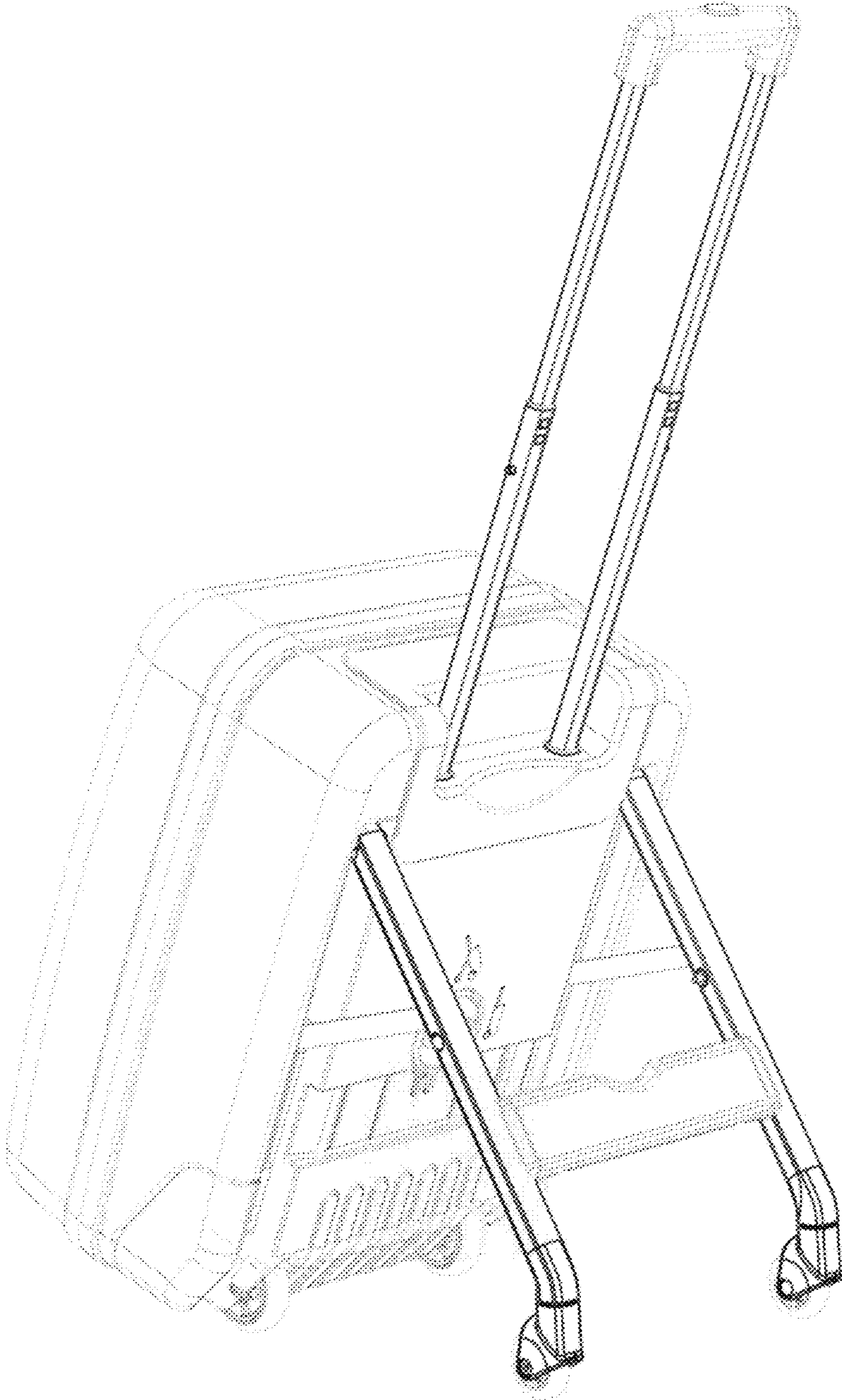


FIG. 3

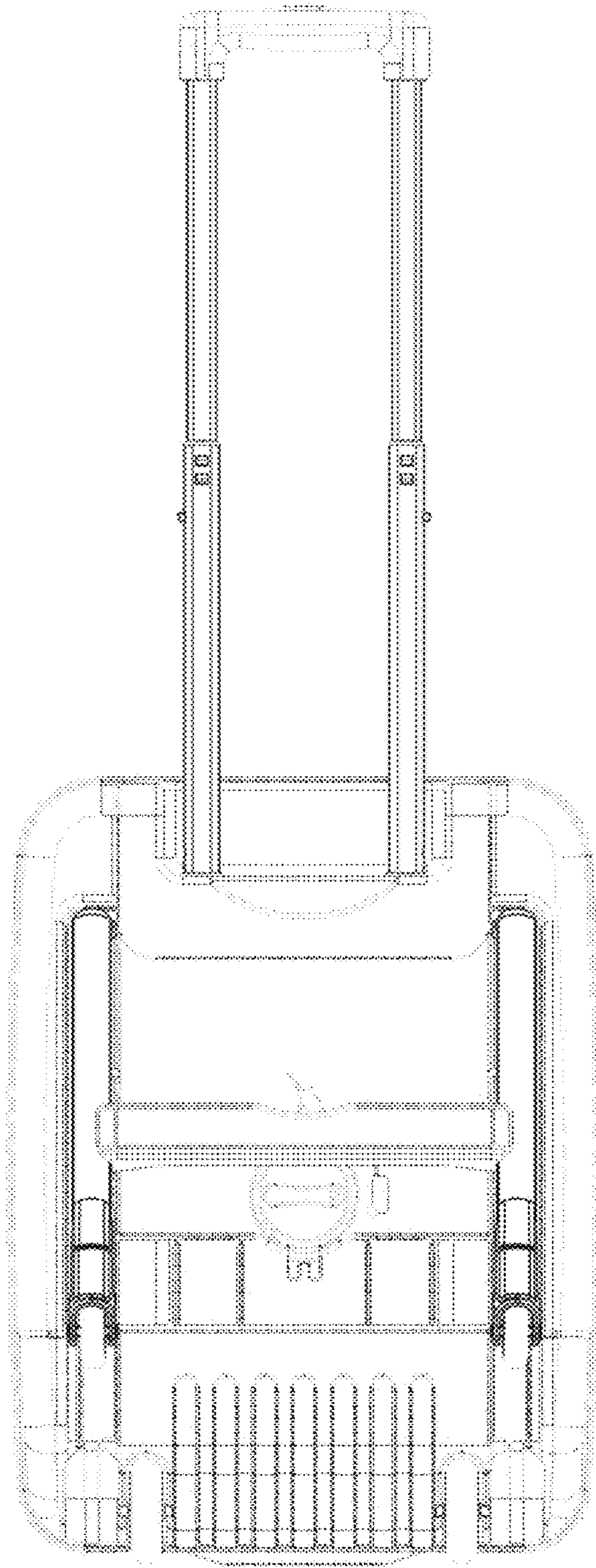


FIG. 4

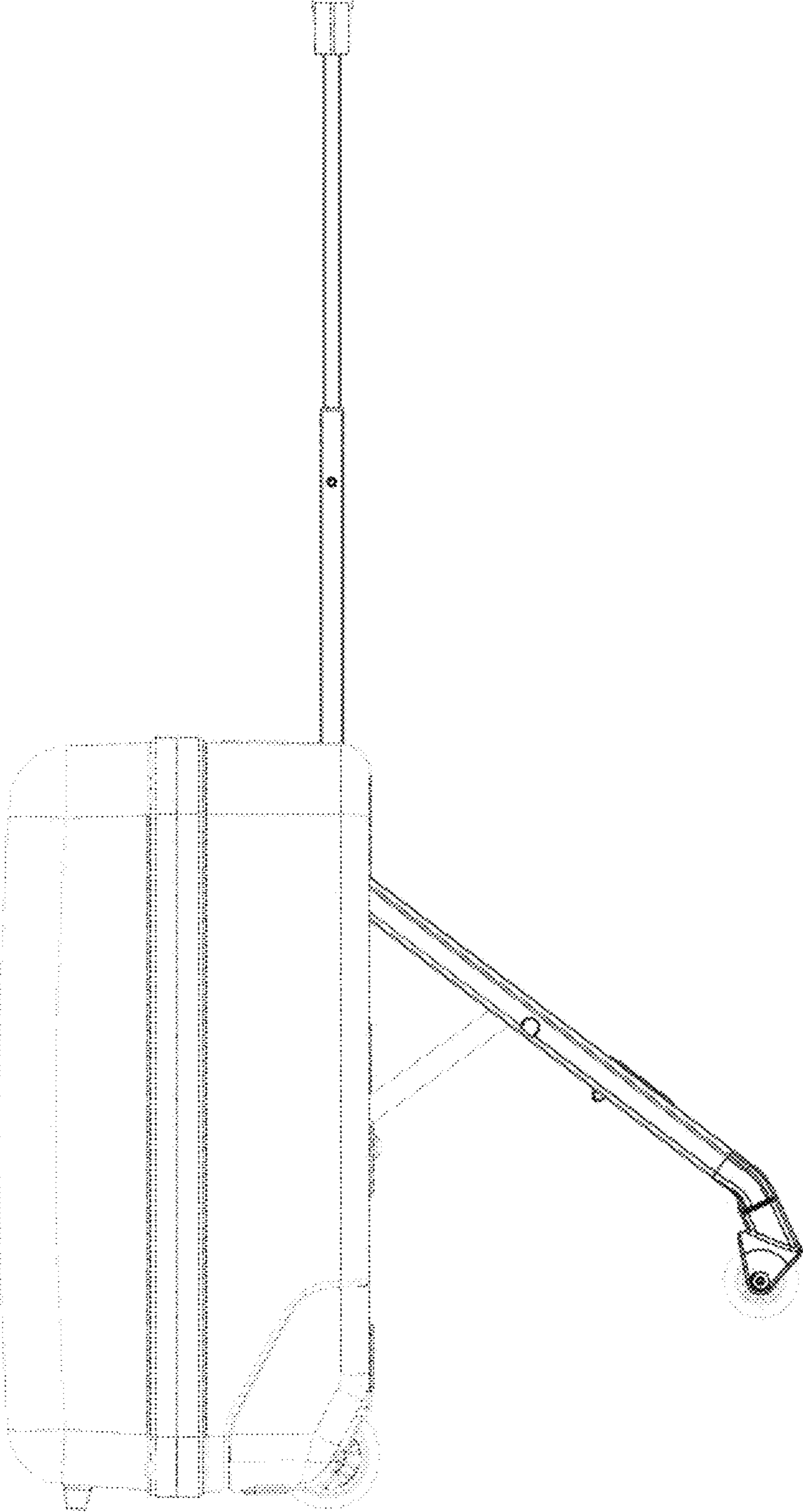


FIG. 5

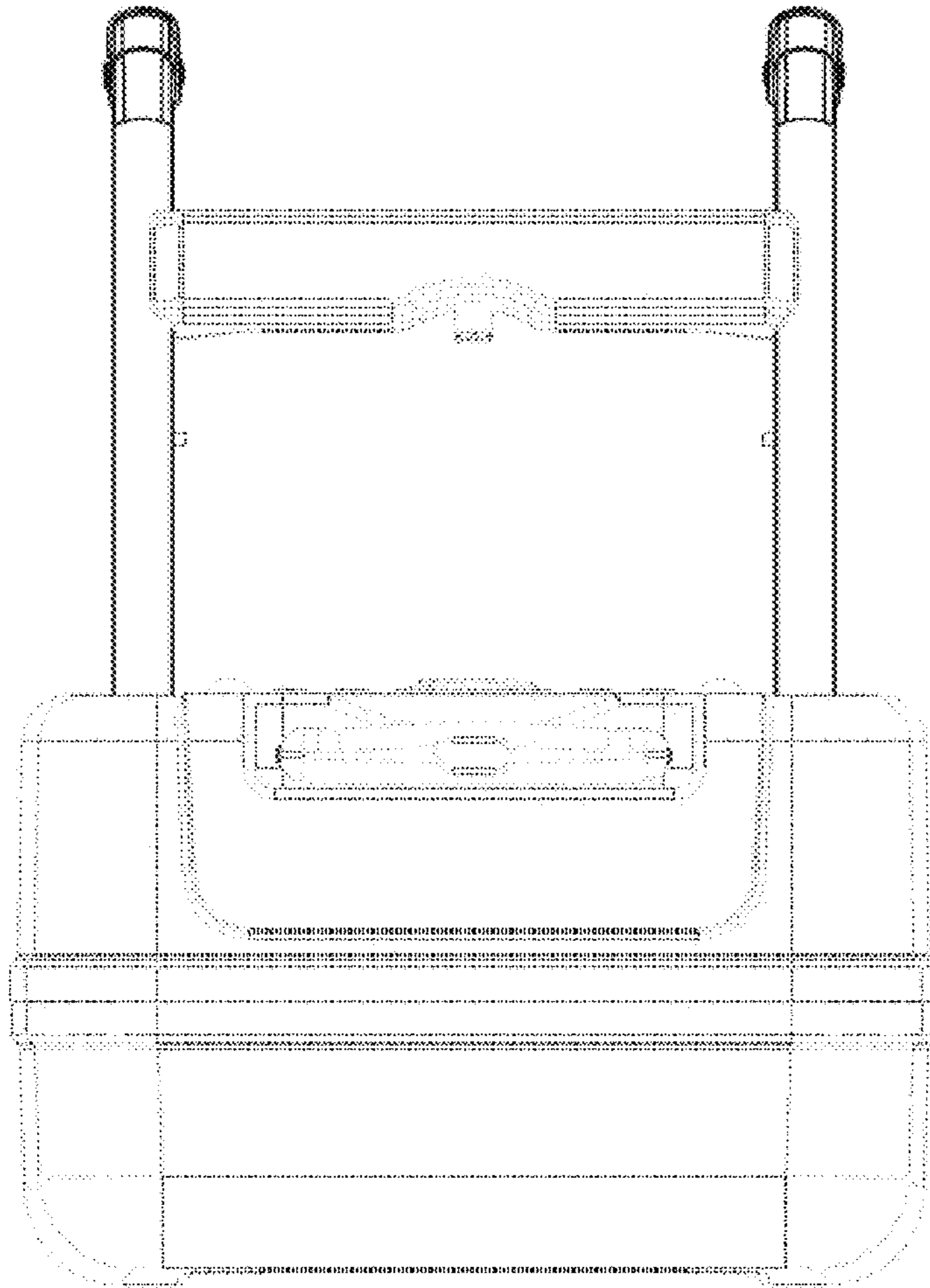


FIG. 6