



US00D809300S

(12) **United States Design Patent**
Babaian

(10) **Patent No.:** **US D809,300 S**

(45) **Date of Patent:** **** Feb. 6, 2018**

(54) **SOLAR PANEL CHARGER FOR A SUITCASE**

(71) Applicant: **Walten Babaian**, Henderson, NV (US)

(72) Inventor: **Walten Babaian**, Henderson, NV (US)

(73) Assignee: **Walter S. Babaian**, Henderson, NV (US)

(**) Term: **15 Years**

(21) Appl. No.: **29/571,146**

(22) Filed: **Jul. 14, 2016**

(51) **LOC (11) Cl.** **03-01**

(52) **U.S. Cl.**
USPC **D3/318; D13/102**

(58) **Field of Classification Search**
USPC D3/201, 203.5–203.8, 204, 216, 270,
D3/271.1, 271.2, 272–27, 279, 280, 282,
D3/283, 284, 288, 289, 294, 309, 315,
D3/318, 321, 322, 323, 902; D9/601,
D9/607, 609, 611, 612; D13/102
CPC A45C 5/00; A45C 5/03; A45C 2005/032;
A45C 2005/035; A45C 2005/037
See application file for complete search history.

(56) **References Cited**

U.S. PATENT DOCUMENTS

D192,591 S * 4/1962 Benjamin D3/273
5,522,943 A 6/1996 Spencer et al.
D479,191 S * 9/2003 Peress D13/102
D492,110 S 6/2004 Van Himbeeck et al.
6,870,089 B1 3/2005 Gray
D554,853 S * 11/2007 Bihn D3/217
7,394,165 B2 7/2008 Schiller
D586,291 S * 2/2009 Wei D13/102
D616,359 S * 5/2010 Adriani D13/102
D617,266 S * 6/2010 Sasada D13/102
D628,534 S * 12/2010 Daniel D13/102

D652,376 S * 1/2012 Nomi D13/102
D661,486 S * 6/2012 VanderVeer D3/233
D676,374 S * 2/2013 Chu D13/102
D682,553 S * 5/2013 Jurich D3/318
D689,817 S * 9/2013 Sun D13/102
D693,291 S * 11/2013 Hsieh D13/102
D695,213 S * 12/2013 Anderson D13/102
8,674,211 B1 3/2014 Palmer et al.

(Continued)

FOREIGN PATENT DOCUMENTS

WO 2009002499 A2 6/2008

Primary Examiner — Susan E Krakower

Assistant Examiner — L. A. Grabenstetter

(74) *Attorney, Agent, or Firm* — Howard & Howard
Attorneys PLLC

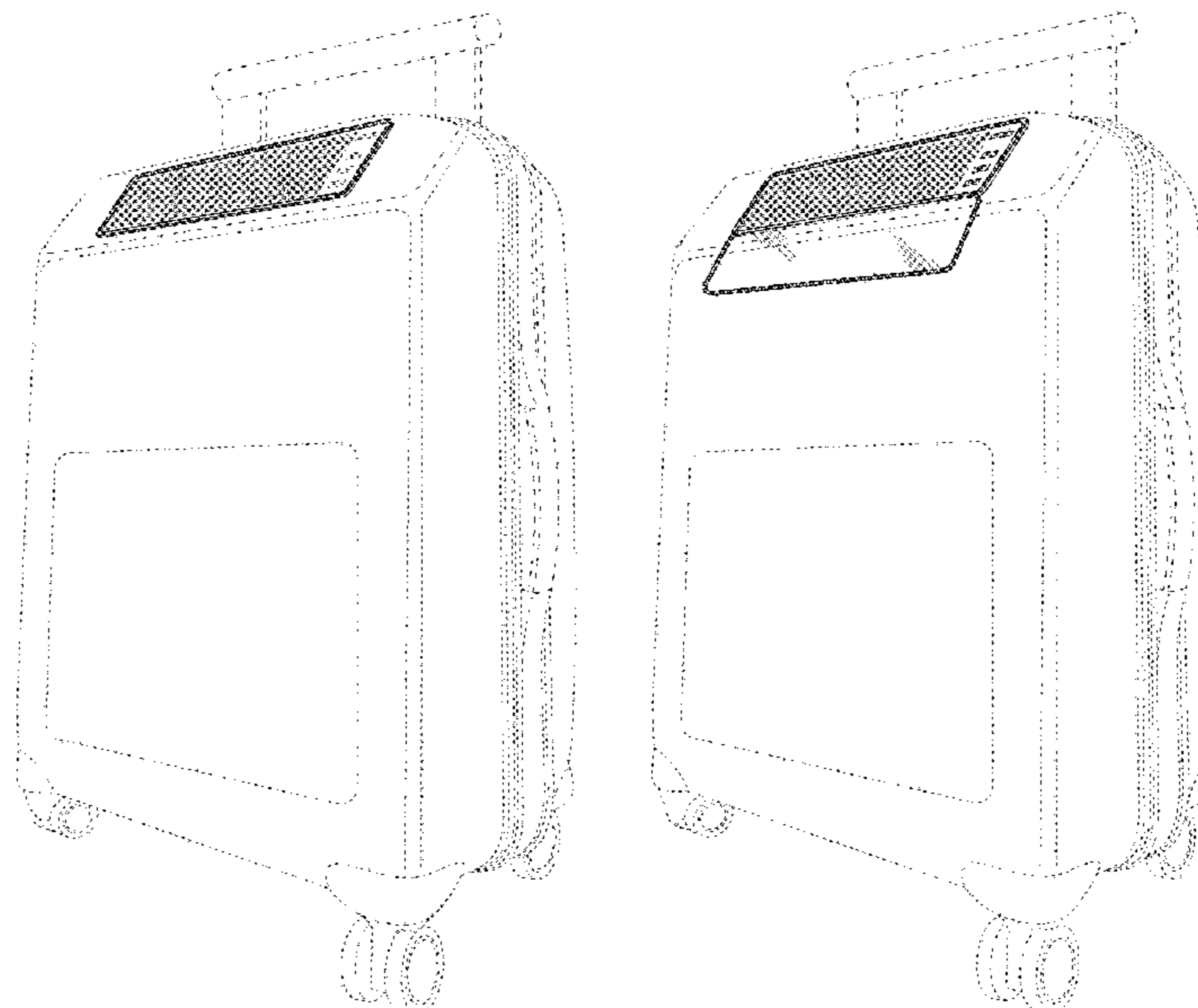
(57) **CLAIM**

I claim the ornamental design for a solar panel charger for a suitcase, as shown and described.

DESCRIPTION

FIG. 1 is a front perspective view of a solar panel charger for a suitcase showing my new design, with the transparent zippered compartment shown in a closed condition; FIG. 2 is a rear view thereof; FIG. 3 is a front view thereof; FIG. 4 is a first side view thereof; FIG. 5 is a second side view thereof; FIG. 6 is a top view thereof; FIG. 7 is a bottom view thereof; and, FIG. 8 is a second perspective front view of the solar panel charger for a suitcase, with the transparent zippered compartment shown in an open condition. The broken lines depicting a suitcase represent environmental subject matter that forms no part of the claimed design.

1 Claim, 7 Drawing Sheets



(56)

References Cited

U.S. PATENT DOCUMENTS

8,760,108	B2 *	6/2014	Scarmozzino	A45C 5/02 136/244
D724,012	S *	3/2015	Zhan	D13/102
D729,156	S *	5/2015	Nook	D13/102
D754,597	S *	4/2016	Osborn	D13/102
D767,484	S *	9/2016	Morad	D13/102
D769,188	S *	10/2016	Miller	D13/107
D770,971	S *	11/2016	Anderson	D13/102
D781,230	S *	3/2017	Gibson	D13/102
D785,559	S *	5/2017	Otsuka	D13/102
D786,189	S *	5/2017	Otsuka	D13/102
D788,027	S *	5/2017	Gibson	D13/102
2005/0140331	A1 *	6/2005	McQuade	A45C 15/00 320/101
2009/0102415	A1	4/2009	Muchow et al.	
2009/0139814	A1	6/2009	Grossman et al.	
2013/0032443	A1	2/2013	Soedomo	

* cited by examiner

FIG. 1

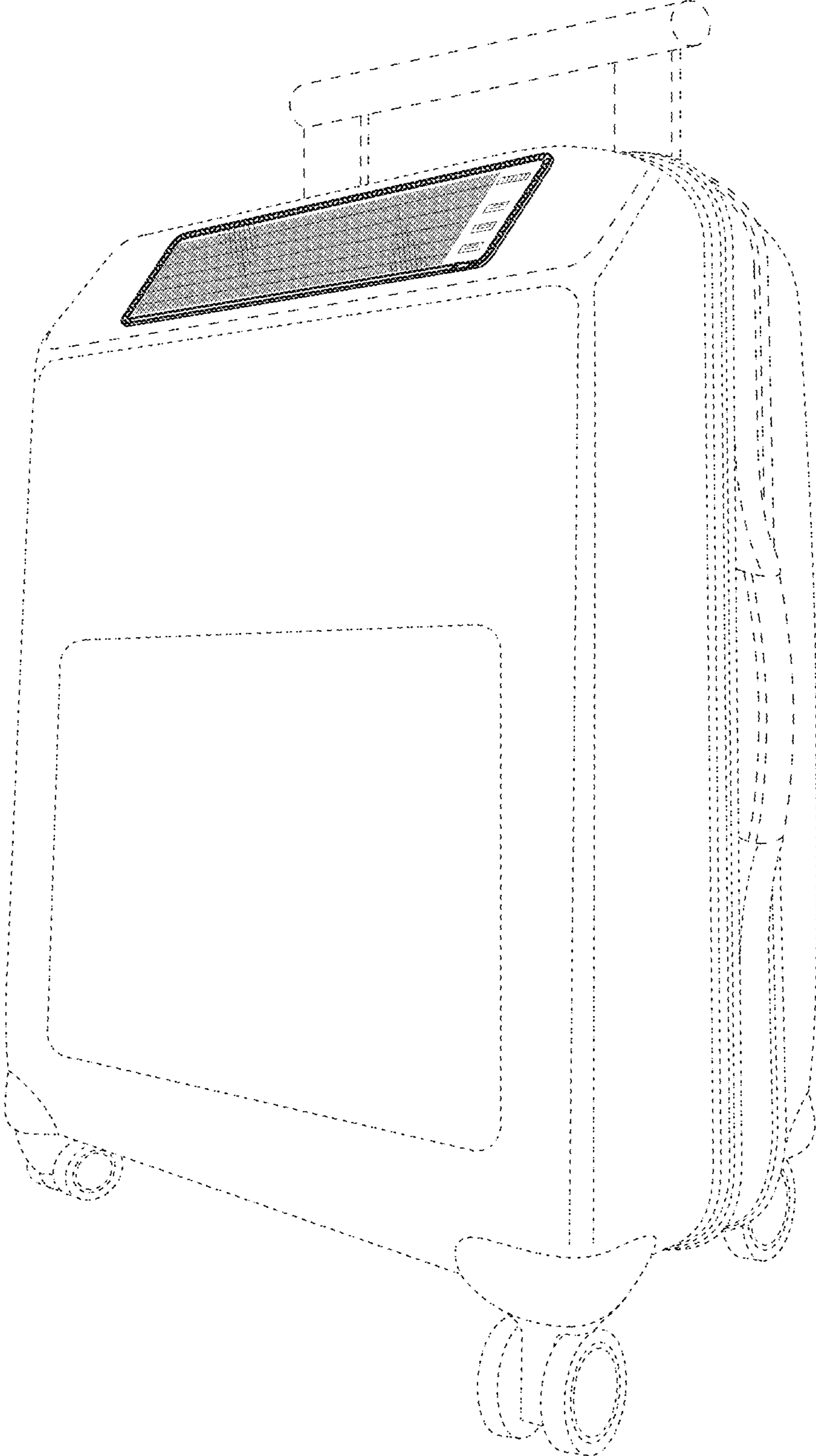


FIG. 2

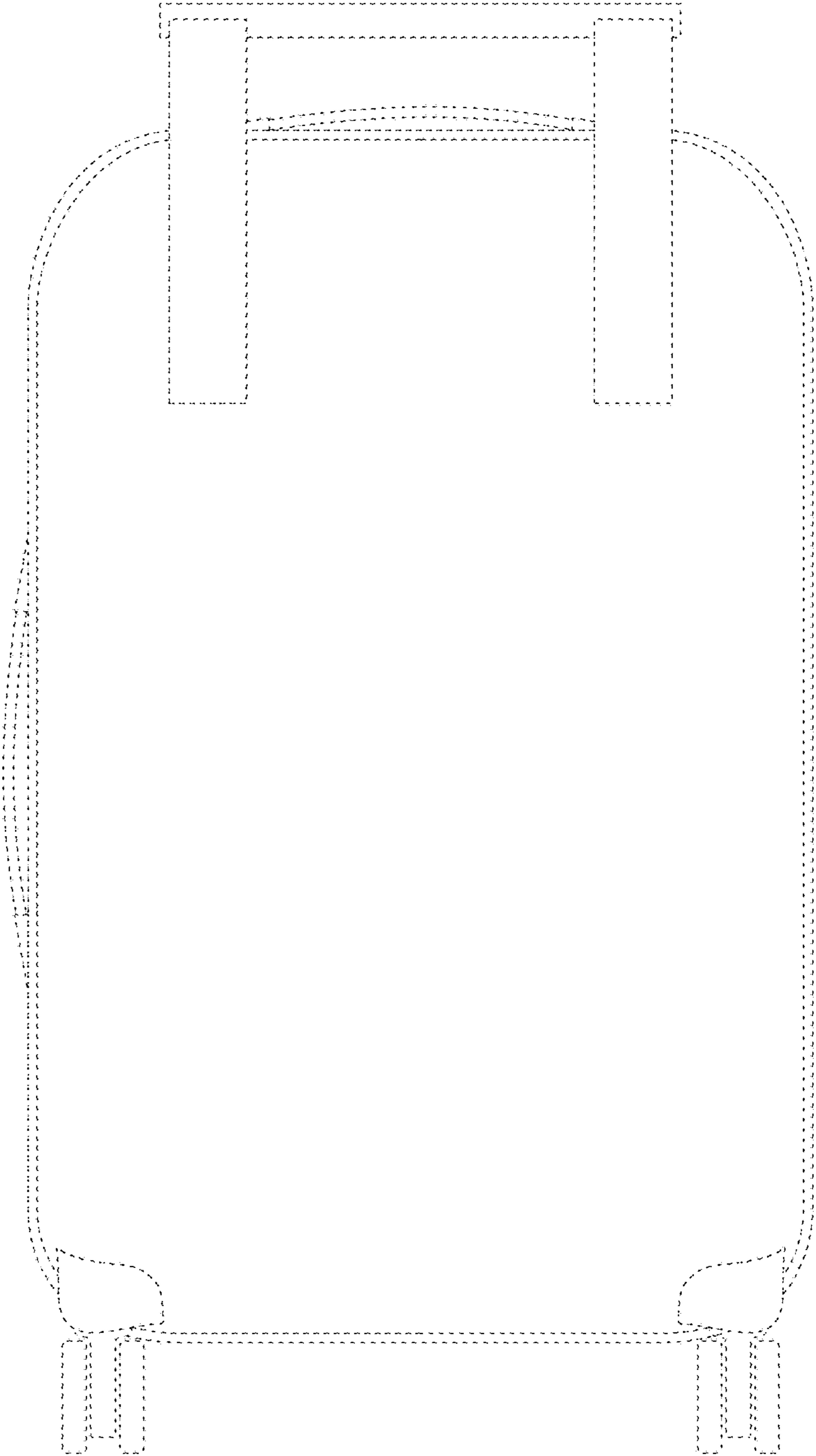


FIG. 3

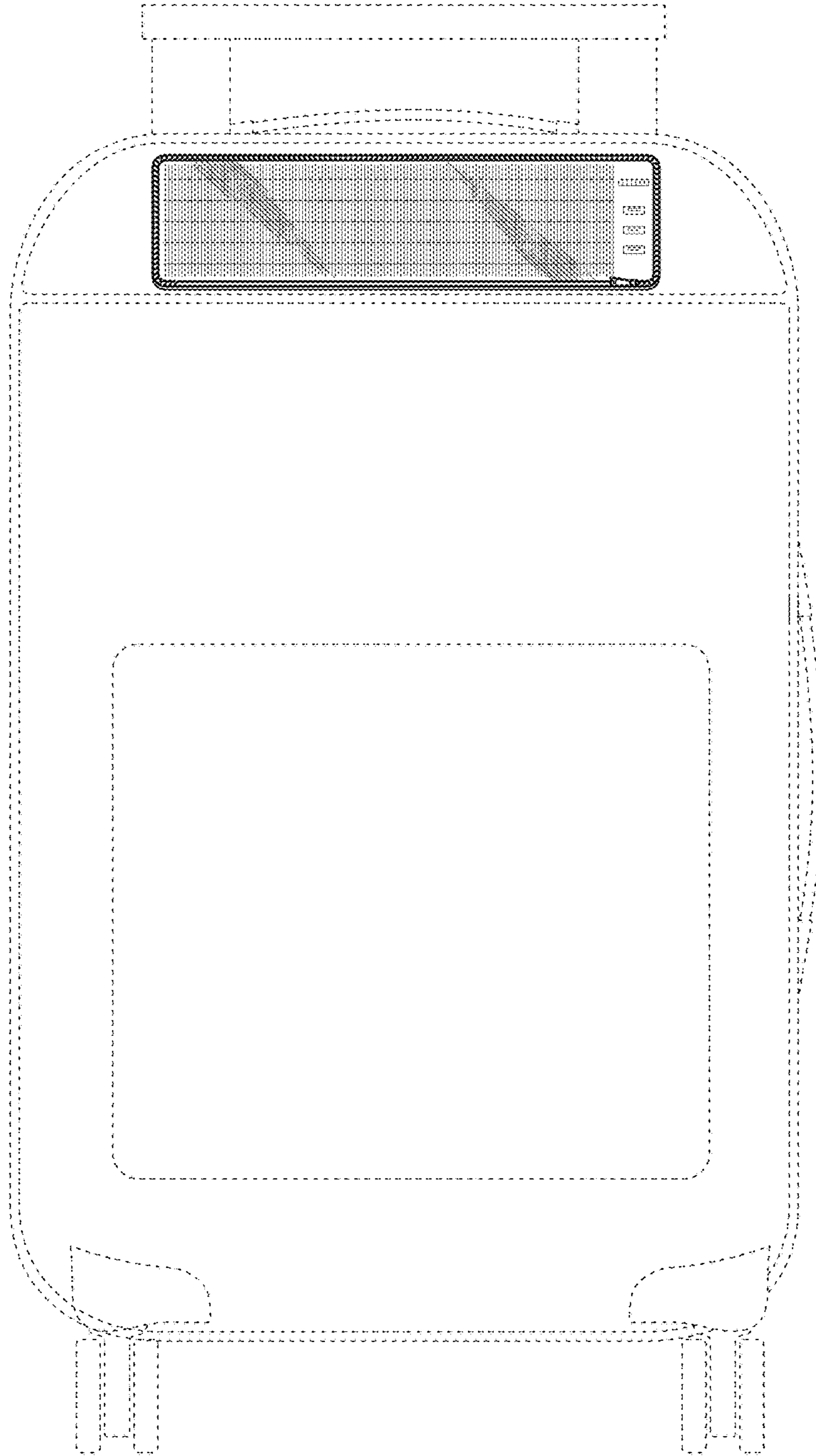


FIG. 4

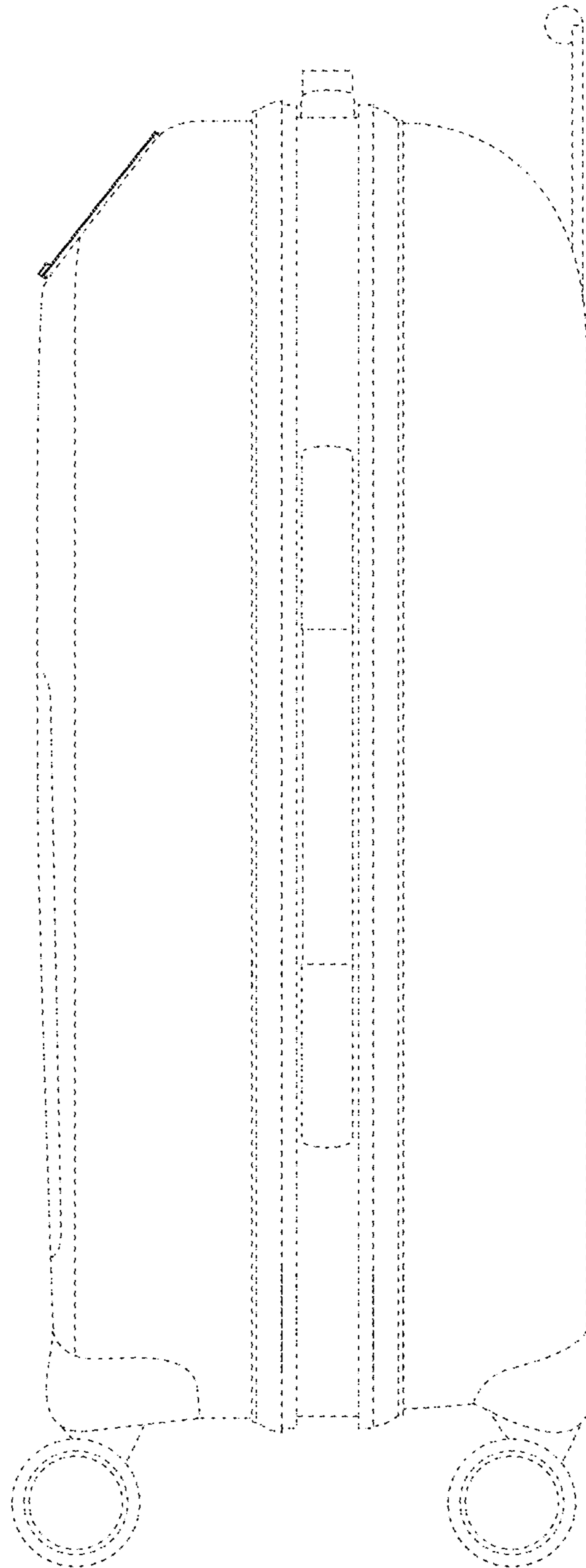
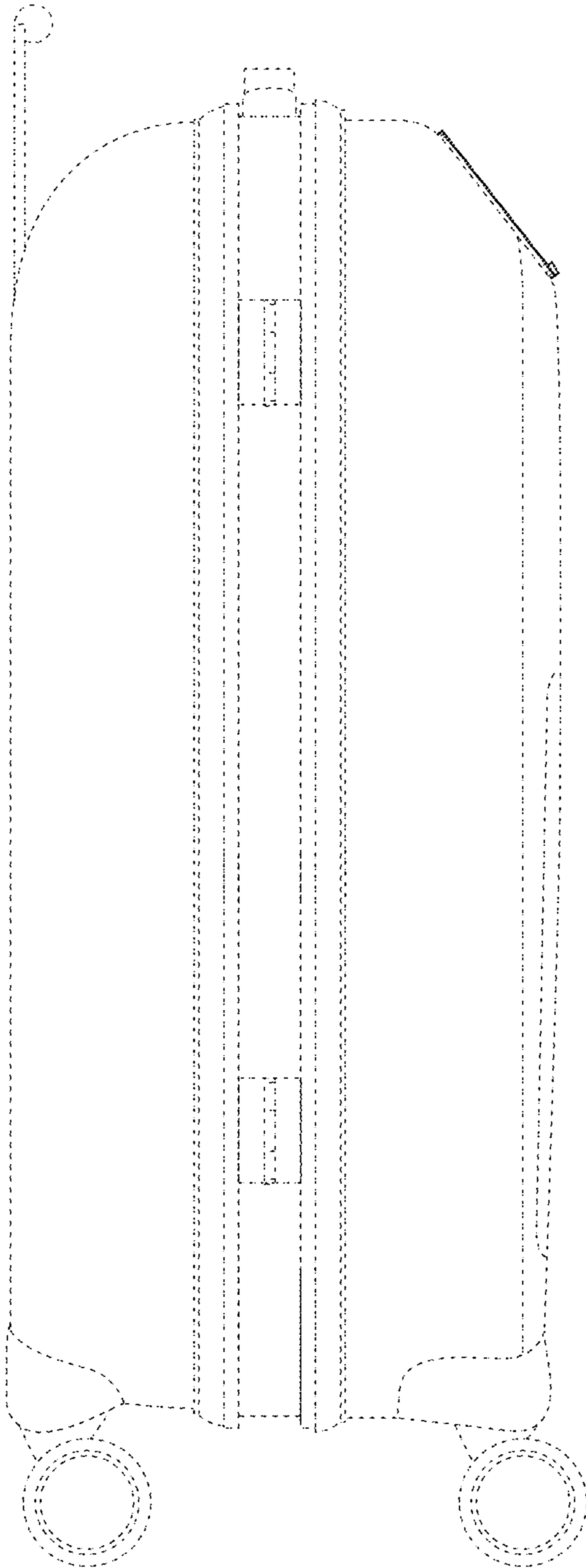


FIG. 5



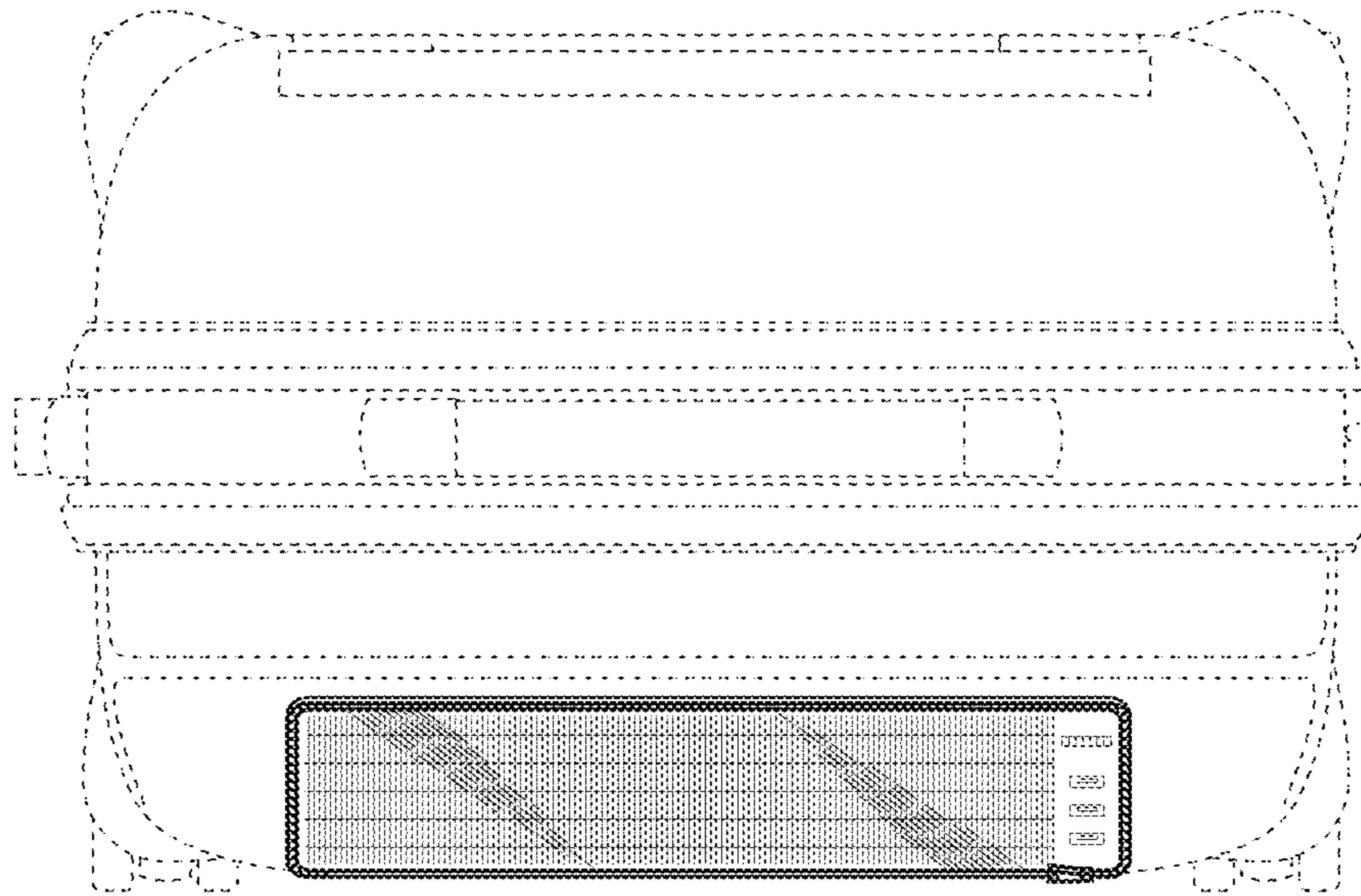


FIG. 6

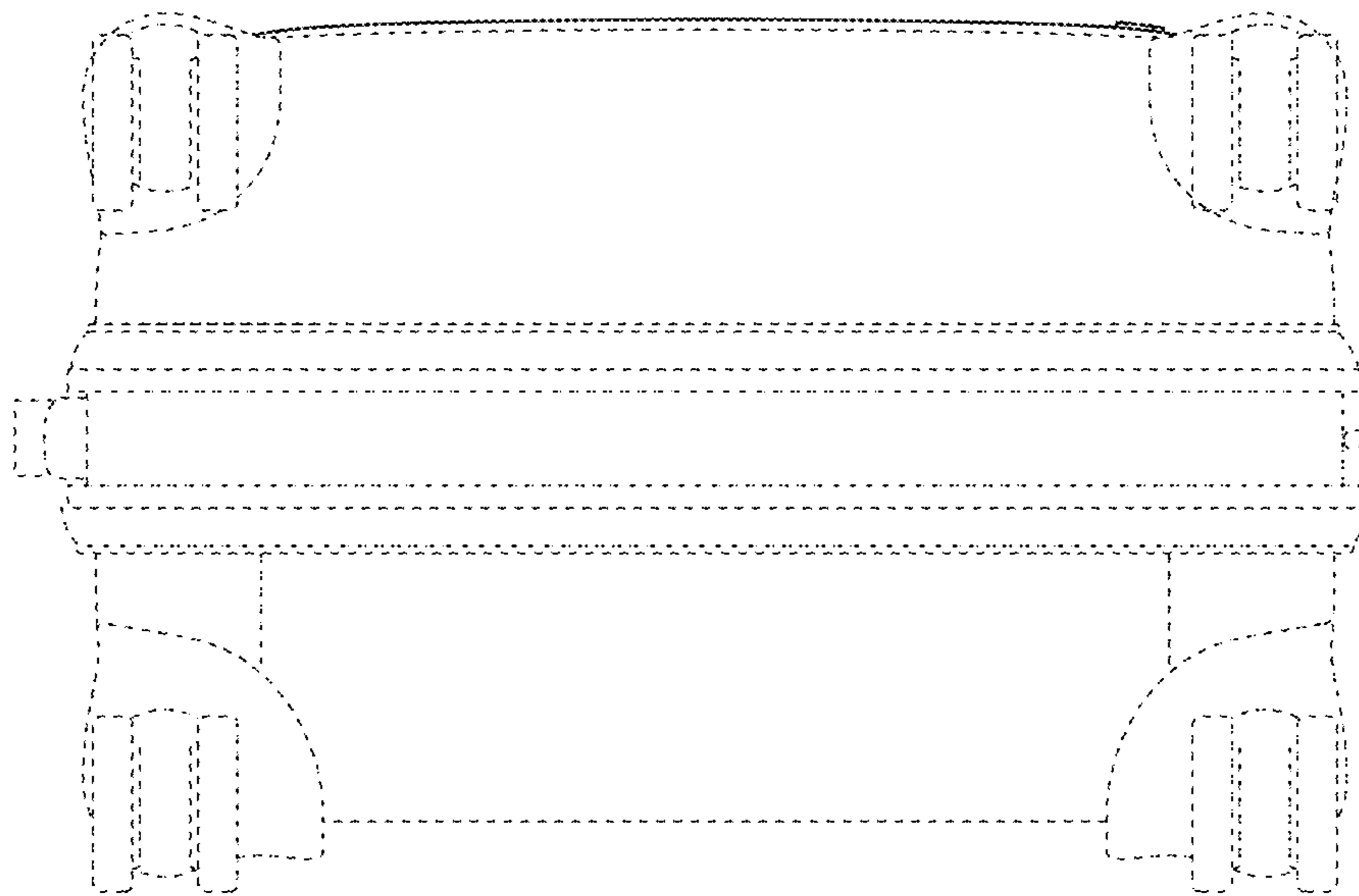
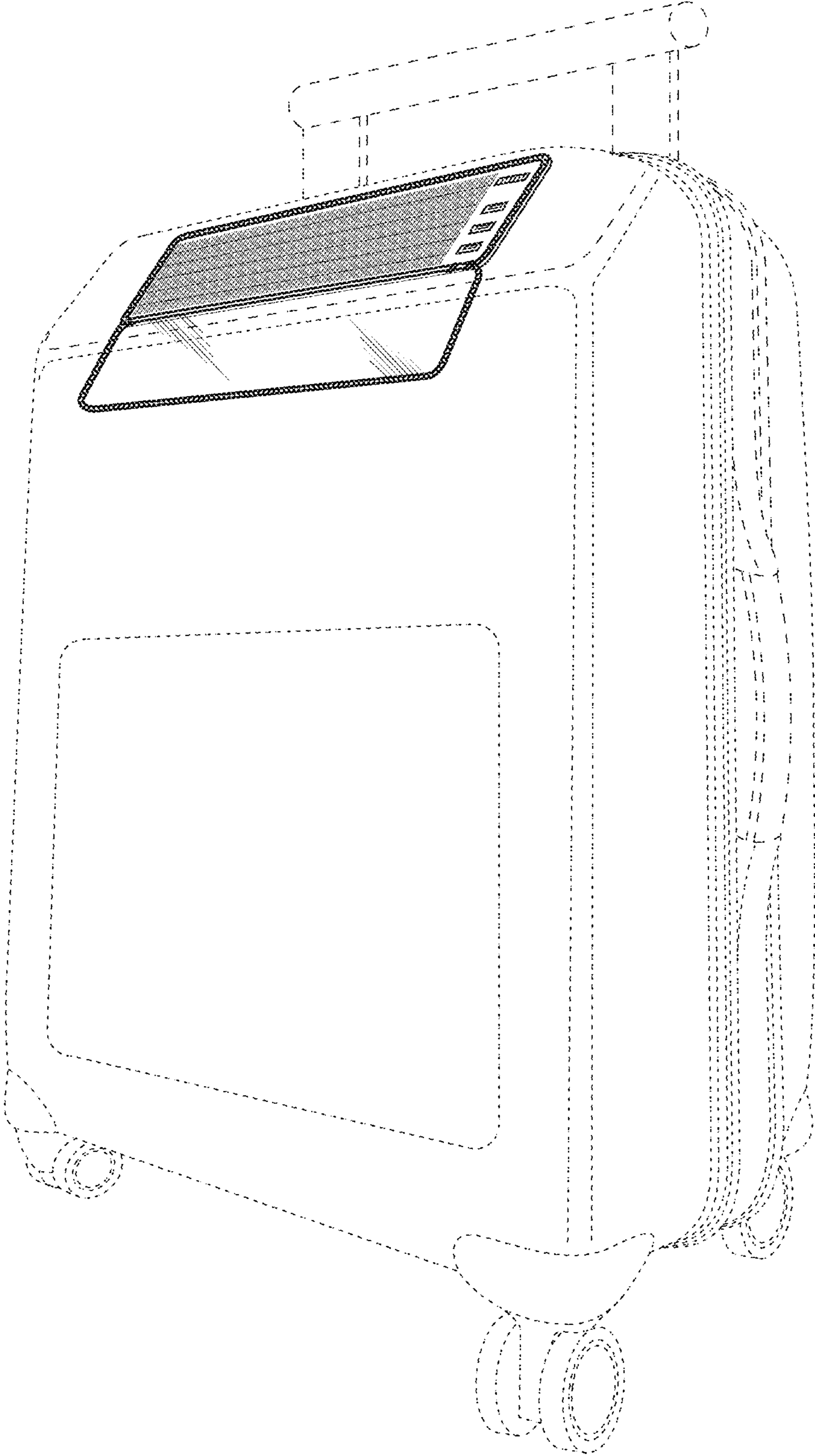


FIG. 7

FIG. 8



UNITED STATES PATENT AND TRADEMARK OFFICE
CERTIFICATE OF CORRECTION

PATENT NO. : D809,300 S
APPLICATION NO. : 29/571146
DATED : February 6, 2018
INVENTOR(S) : Walten Babaian

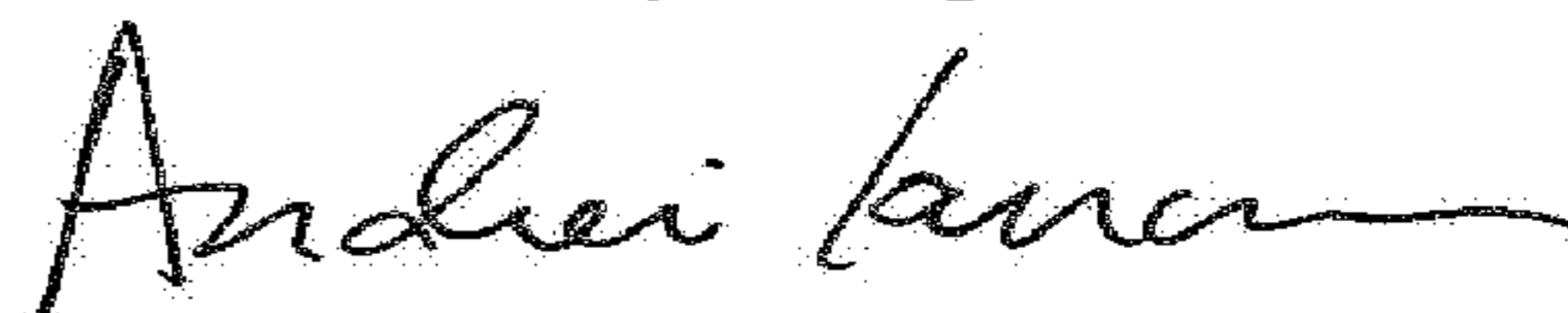
Page 1 of 1

It is certified that error appears in the above-identified patent and that said Letters Patent is hereby corrected as shown below:

On the Title Page

Item (73) Assignee: Please delete "Walter S. Babaian, Henderson, NV (US)" and replace with
-- Walten S. Babaian, Henderson, NV (US) --

Signed and Sealed this
Third Day of April, 2018



Andrei Iancu
Director of the United States Patent and Trademark Office