



US00D809298S

(12) **United States Design Patent**
Zhu

(10) **Patent No.:** **US D809,298 S**

(45) **Date of Patent:** **** *Feb. 6, 2018**

(54) **JEWELRY BOX**

(71) Applicant: **Shenzhen DiKai Industrial Co., Ltd.**,
Shenzhen, Guangdong (CN)

(72) Inventor: **Xiu Ling Zhu**, Shenzhen (CN)

(73) Assignee: **Shenzhen DiKai Industrial Co., Ltd.**,
Shenzhen, Guangdong (CN)

(*) Notice: This patent is subject to a terminal disclaimer.

(**) Term: **15 Years**

(21) Appl. No.: **29/538,967**

(22) Filed: **Sep. 9, 2015**

(30) **Foreign Application Priority Data**

Mar. 13, 2015 (CN) 2015 3 0060371

(51) **LOC (11) Cl.** **03-01**

(52) **U.S. Cl.**
USPC **D3/294**

(58) **Field of Classification Search**
USPC D3/273, 274, 275, 276, 281, 284, 292,
D3/294, 295, 296, 297, 299, 905, 901,
(Continued)

(56) **References Cited**

U.S. PATENT DOCUMENTS

D16,927 S * 10/1886 Sommer D9/423
D159,964 S * 9/1950 Du Bois et al. D3/294
(Continued)

Primary Examiner — Sandra Snapp

Assistant Examiner — Holly E Thurman

(74) *Attorney, Agent, or Firm* — Raymond Y. Chan;
David and Raymond Patent Firm

(57) **CLAIM**

The ornamental design for a jewelry box, as shown and described.

DESCRIPTION

FIG. 1 is a perspective view of the jewelry box of a first embodiment showing my new design, illustrating the jewelry box at a closed position.

FIG. 2 is a front view of the jewelry box of the first embodiment.

FIG. 3 is a rear view of the jewelry box of the first embodiment.

FIG. 4 is a right view of the jewelry box of the first embodiment.

FIG. 5 is a left view of the jewelry box of the first embodiment.

FIG. 6 is a top view of the jewelry box of the first embodiment.

FIG. 7 is a perspective view of the jewelry box of the first embodiment, illustrating the jewelry box at an opened position.

FIG. 8 is a perspective view of a jewelry box of a second embodiment, illustrating the jewelry box at a closed position.

FIG. 9 is a front view of the jewelry box of the second embodiment.

FIG. 10 is a rear view of the jewelry box of the second embodiment.

FIG. 11 is a right view of the jewelry box of the second embodiment.

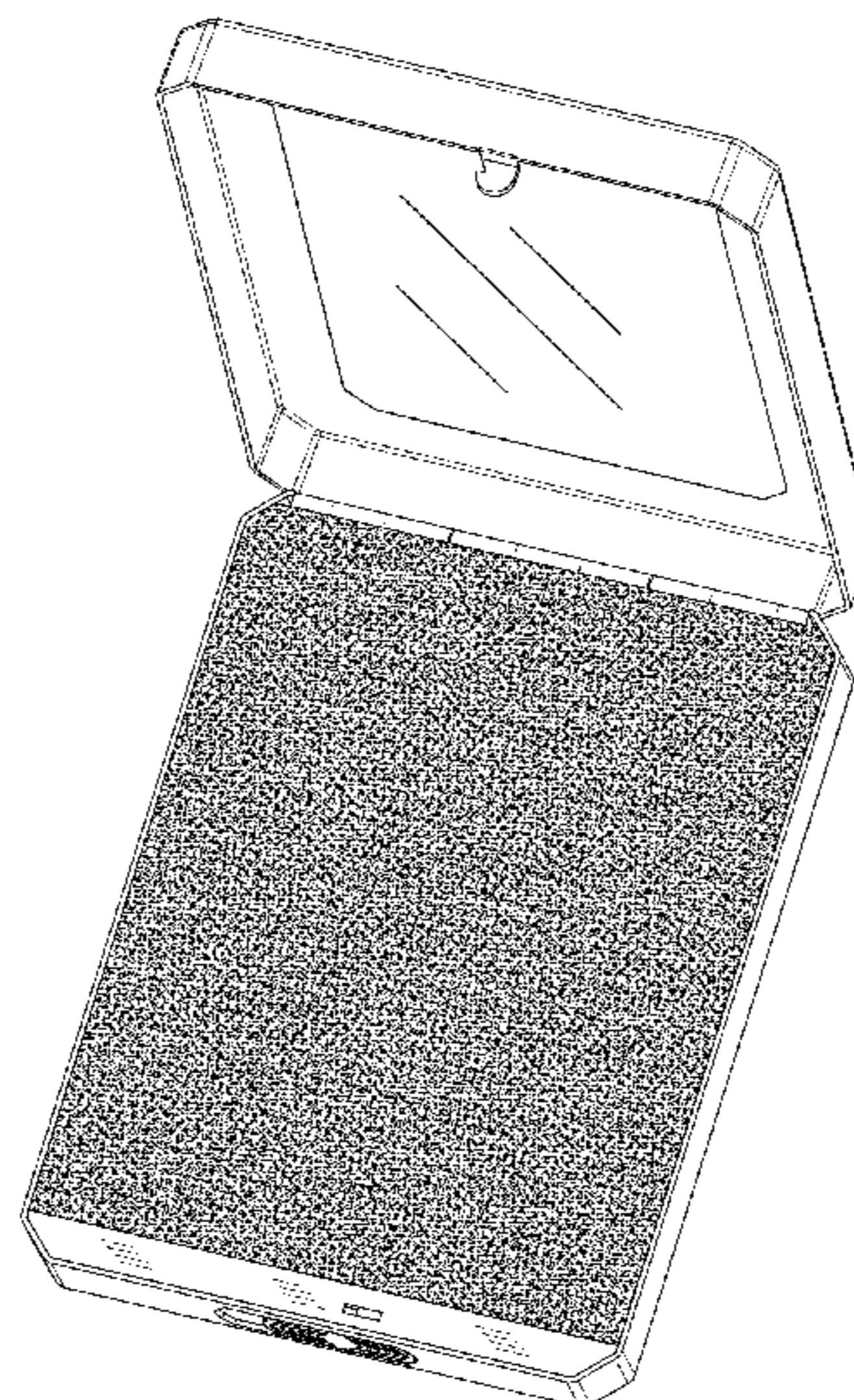
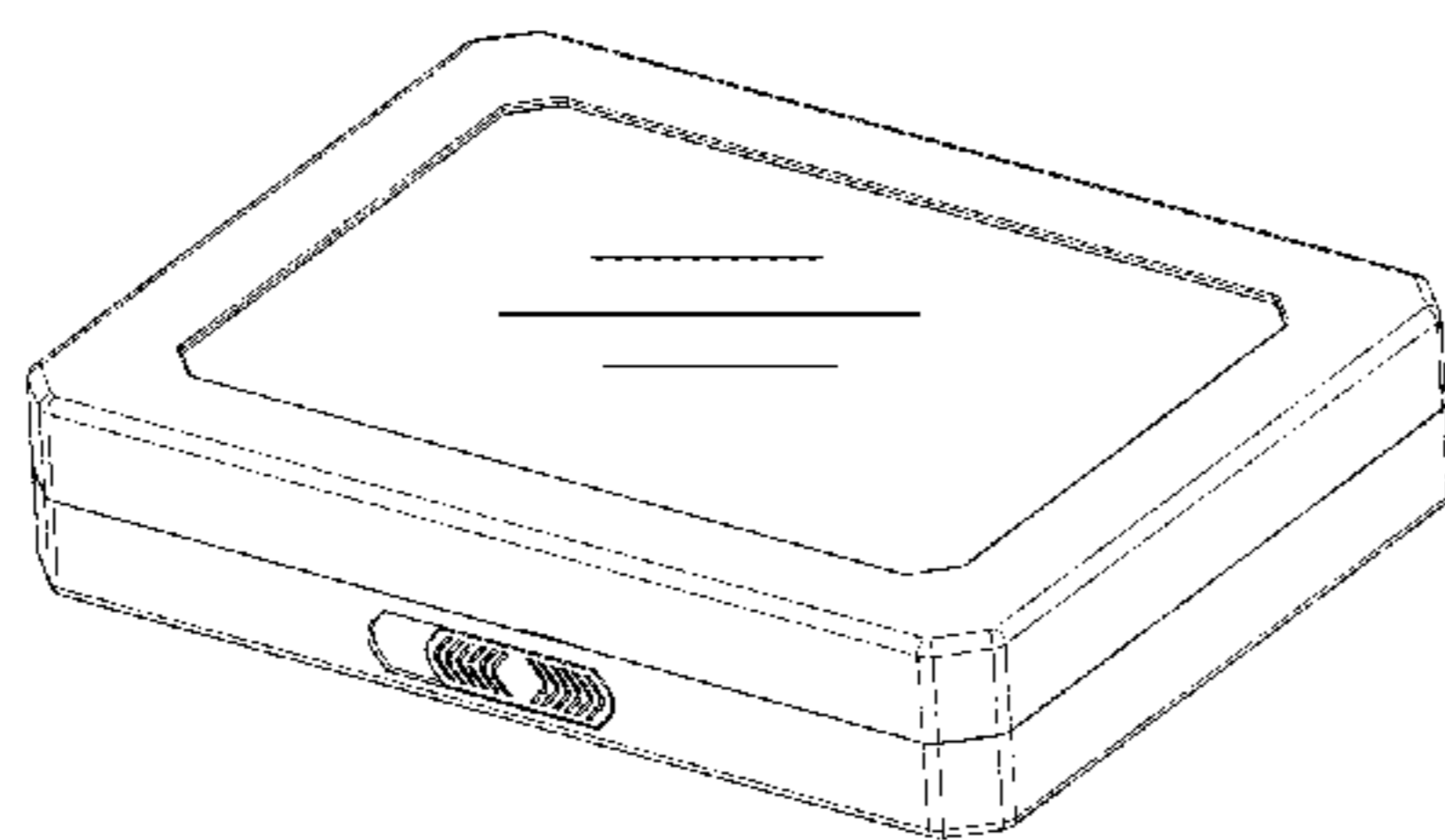
FIG. 12 is a left view of the jewelry box of the second embodiment.

FIG. 13 is a top view of the jewelry box of the second embodiment; and,

FIG. 14 is a perspective view of the jewelry box of the second embodiment, illustrating the jewelry box at an opened position.

The first and second embodiments of the jewelry box are alternative to illustrate different dimensions of the jewelry box.

1 Claim, 14 Drawing Sheets



(58) **Field of Classification Search**

USPC D3/903, 205, 203.1, 279, 282, 242, 301,
D3/302; D9/418, 420–423; D28/76–78,
D28/82–83; D99/28, 34
CPC A45C 5/04; A45C 11/16; A45C 11/00;
A45C 5/00

See application file for complete search history.

(56) **References Cited**

U.S. PATENT DOCUMENTS

D280,353	S	*	8/1985	Buchet	D28/78
D281,208	S	*	11/1985	Raftery	D6/691
D332,400	S	*	1/1993	Neff	D9/423
D336,989	S	*	7/1993	Rentz	D3/294
D376,476	S	*	12/1996	Tepen	D3/294
D392,563	S	*	3/1998	Iwanaga	D9/422
D401,763	S	*	12/1998	Wolff	D3/273
D474,596	S	*	5/2003	Osiecki	D3/273
D510,021	S	*	9/2005	Au	D3/294
D570,114	S	*	6/2008	Netz	D3/294
D595,455	S	*	6/2009	Nagasaki	D28/83
D624,315	S	*	9/2010	Amatrudo	D3/276
D655,865	S	*	3/2012	Villarreal	D28/83
D655,866	S	*	3/2012	Villarreal	D28/83
D668,457	S	*	10/2012	Mimlitch, III	D3/294
D668,866	S	*	10/2012	Meng	D3/273
D704,442	S	*	5/2014	Chen	D3/294
D716,649	S	*	11/2014	McAdam	D9/418
D723,218	S	*	2/2015	Goswell	D28/83
D759,378	S	*	6/2016	West	D3/294

* cited by examiner

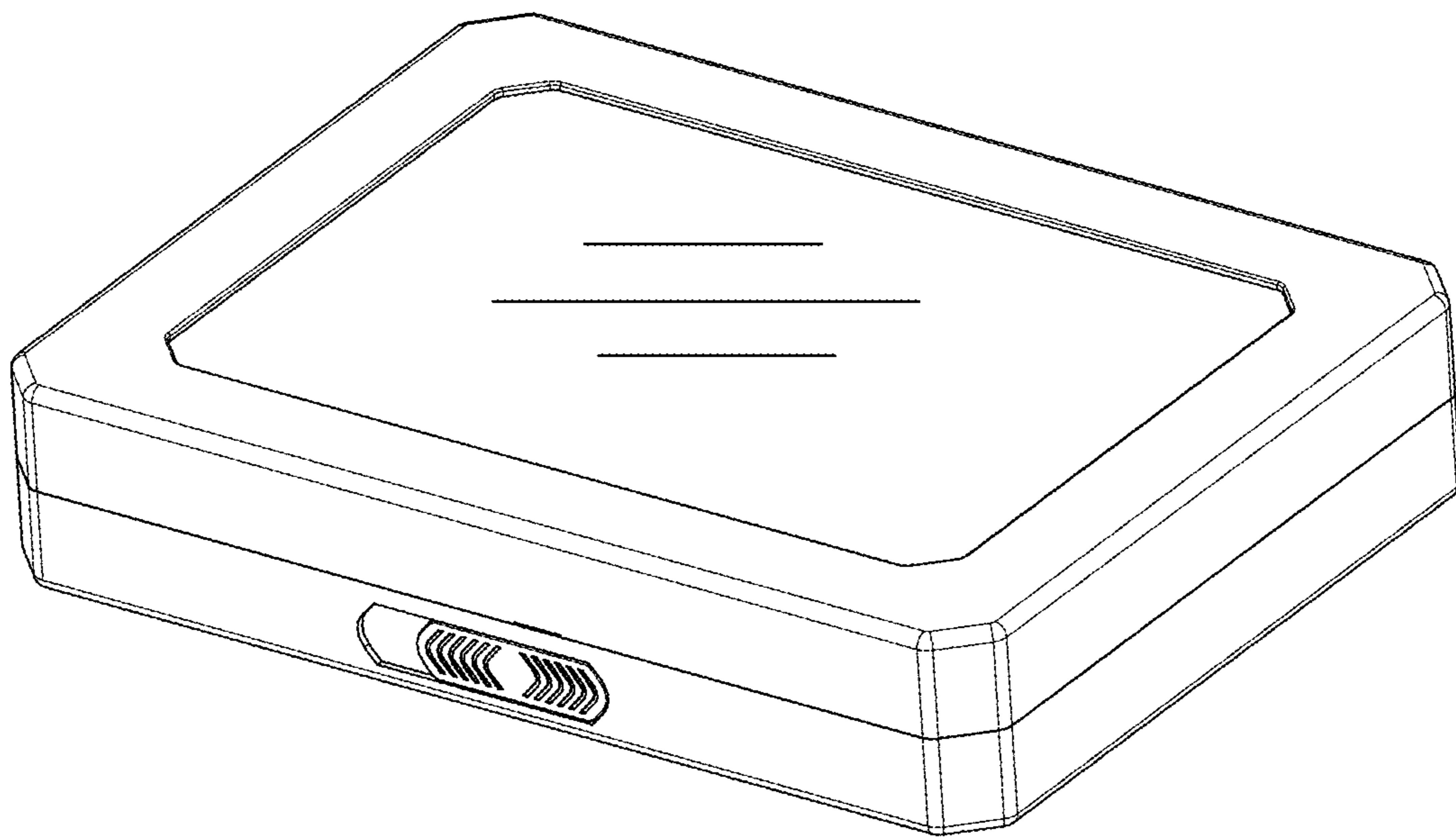


FIG.1

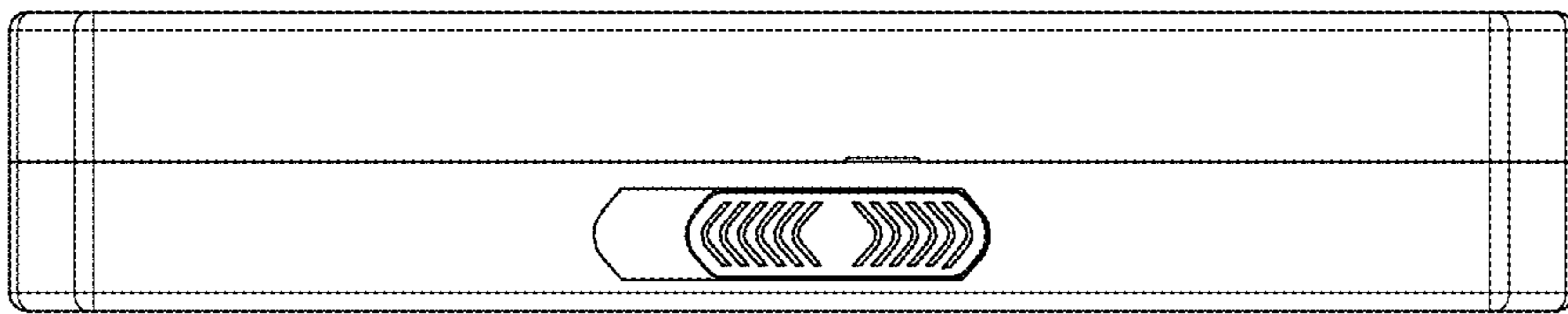


FIG.2

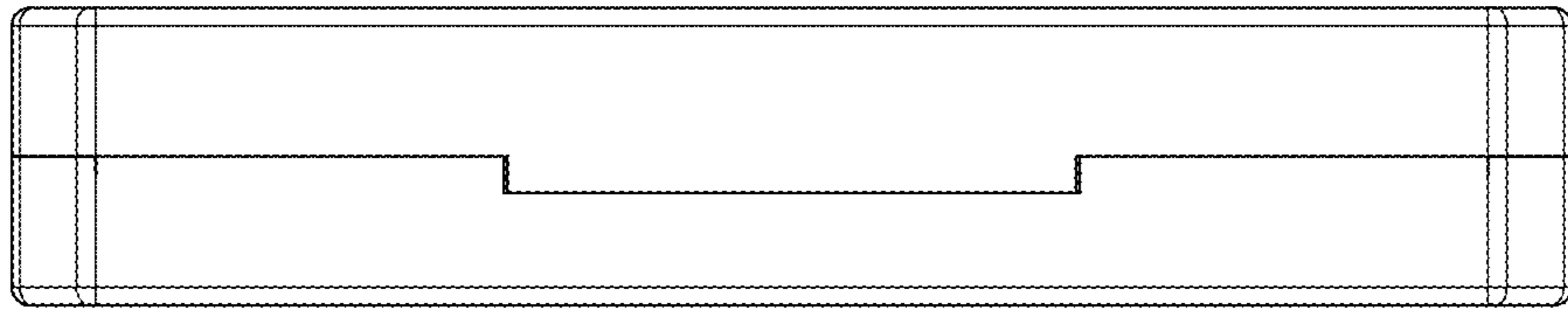


FIG.3

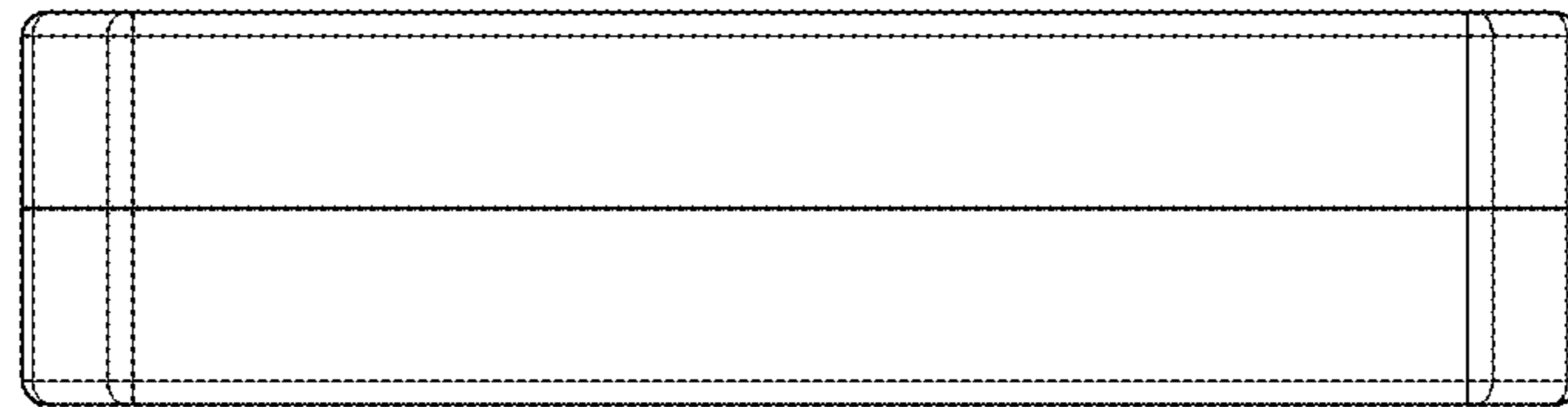


FIG.4

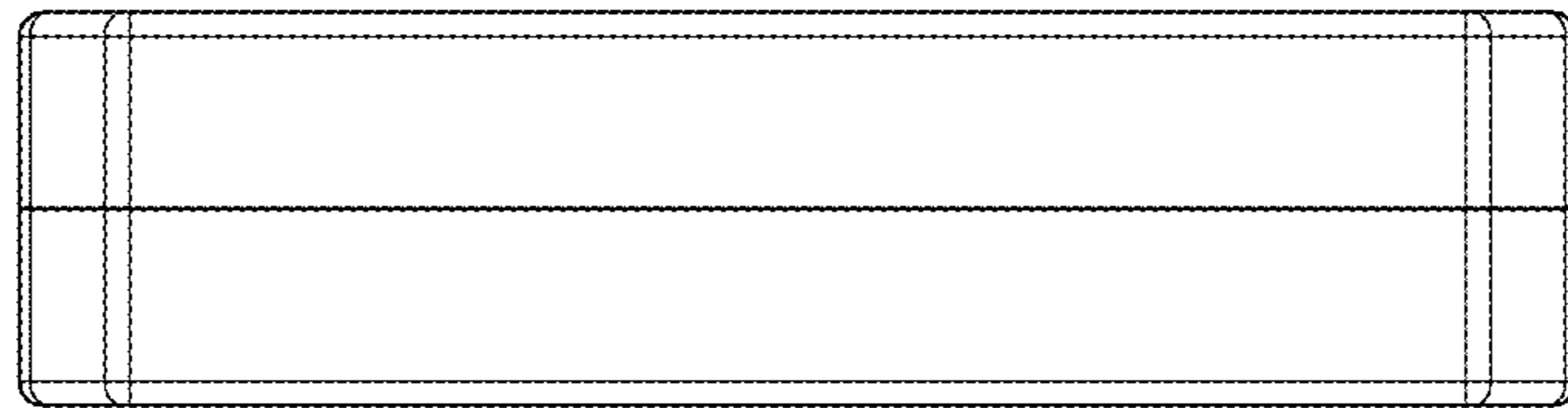


FIG.5

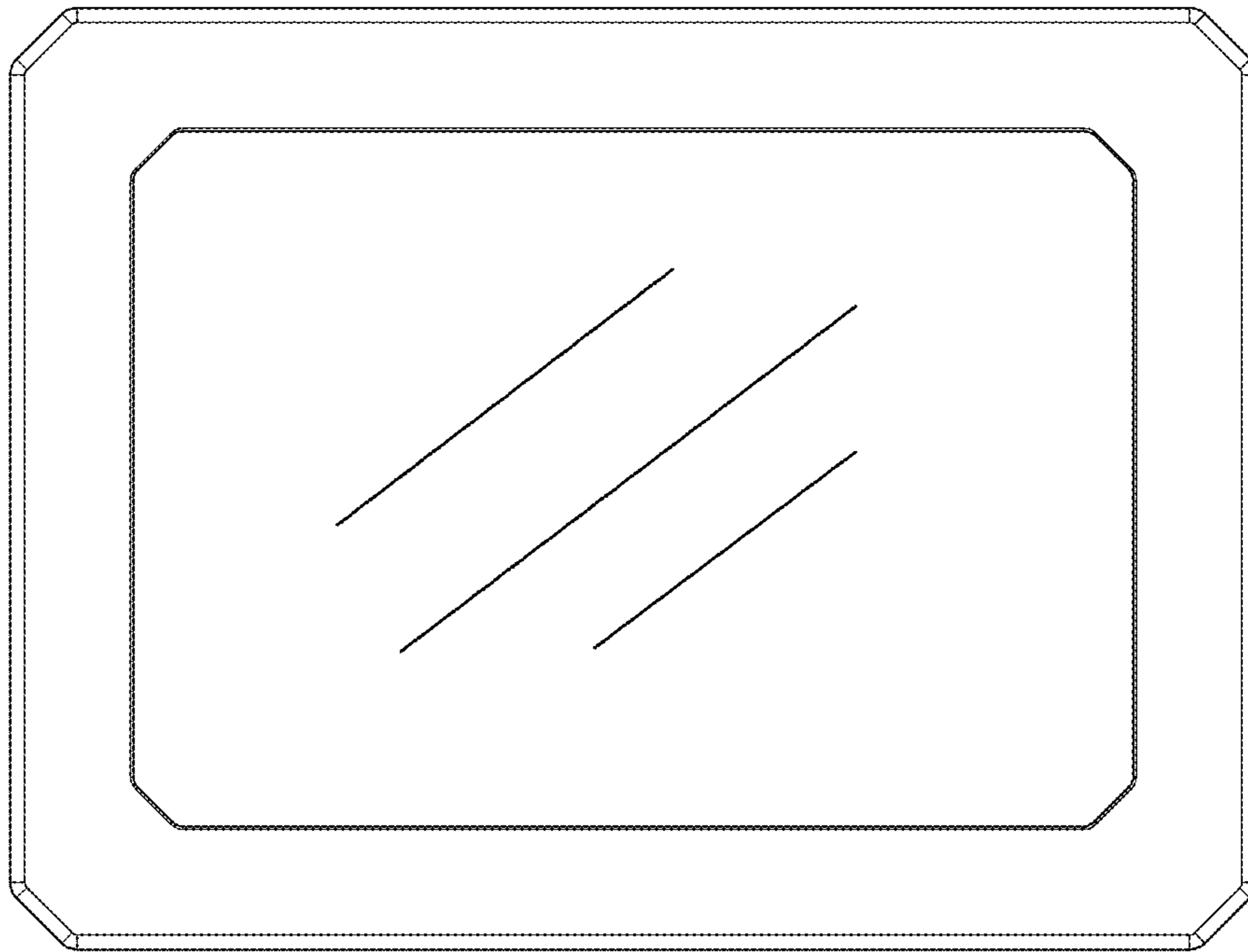


FIG.6

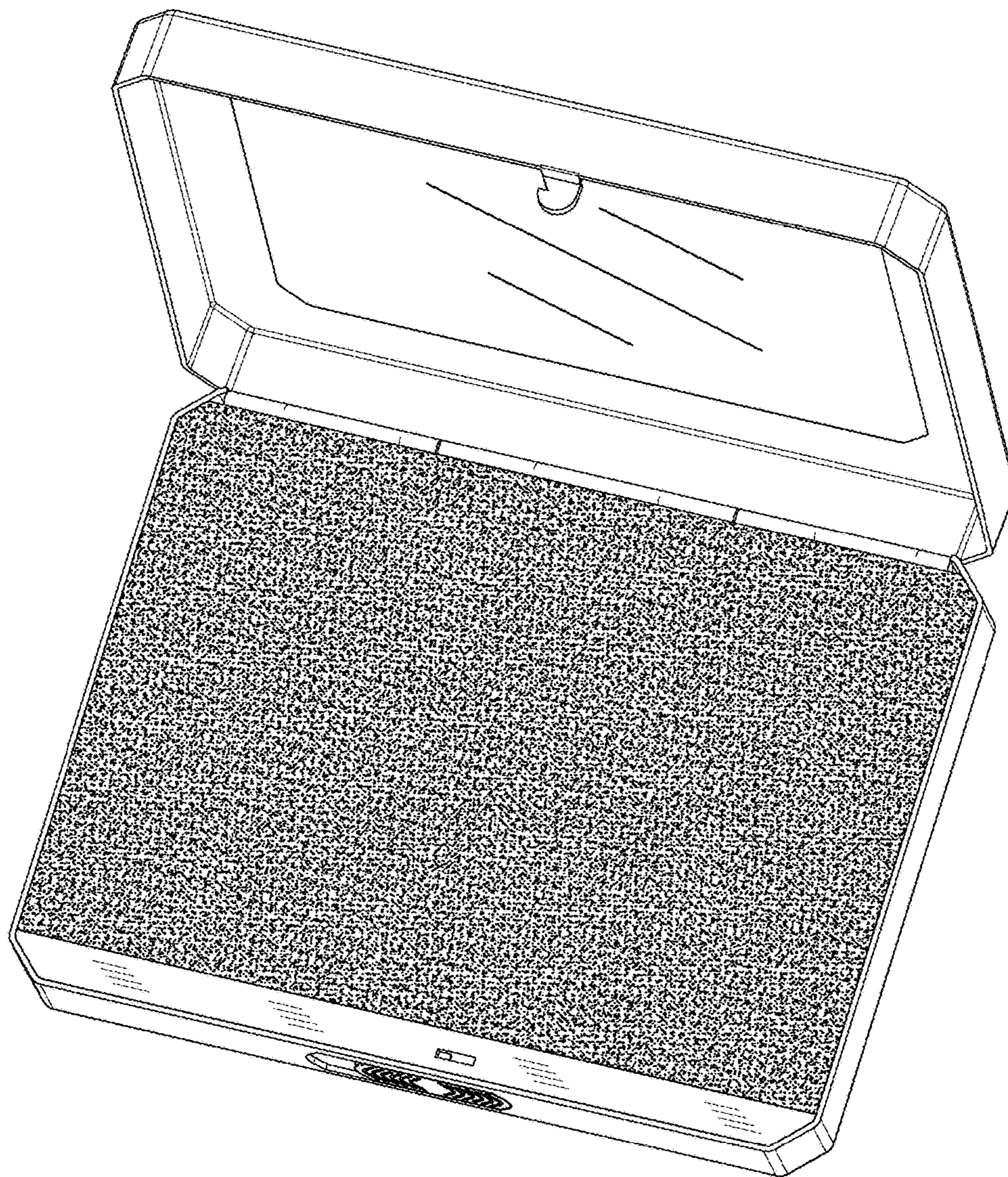


FIG.7

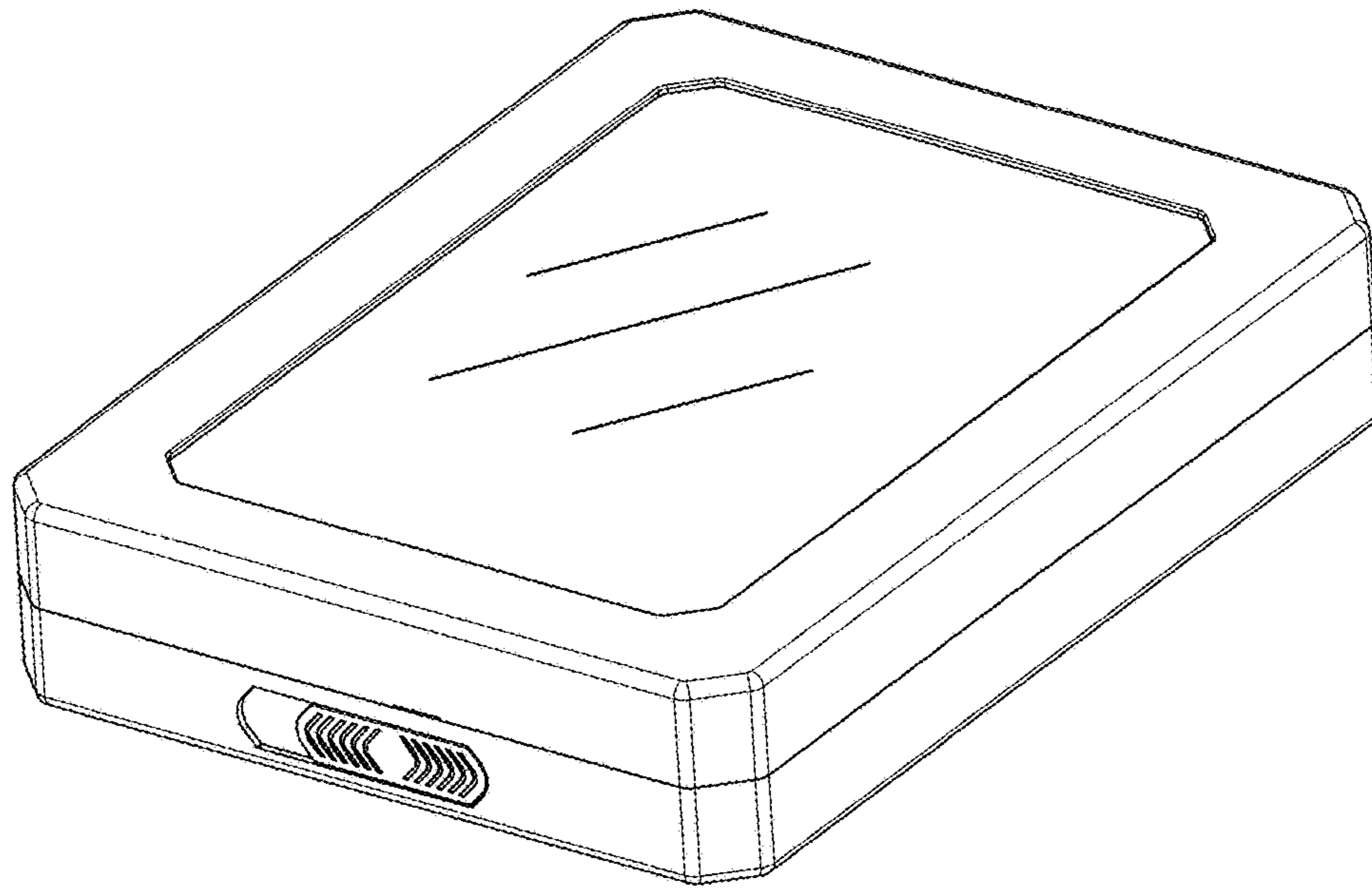


FIG.8

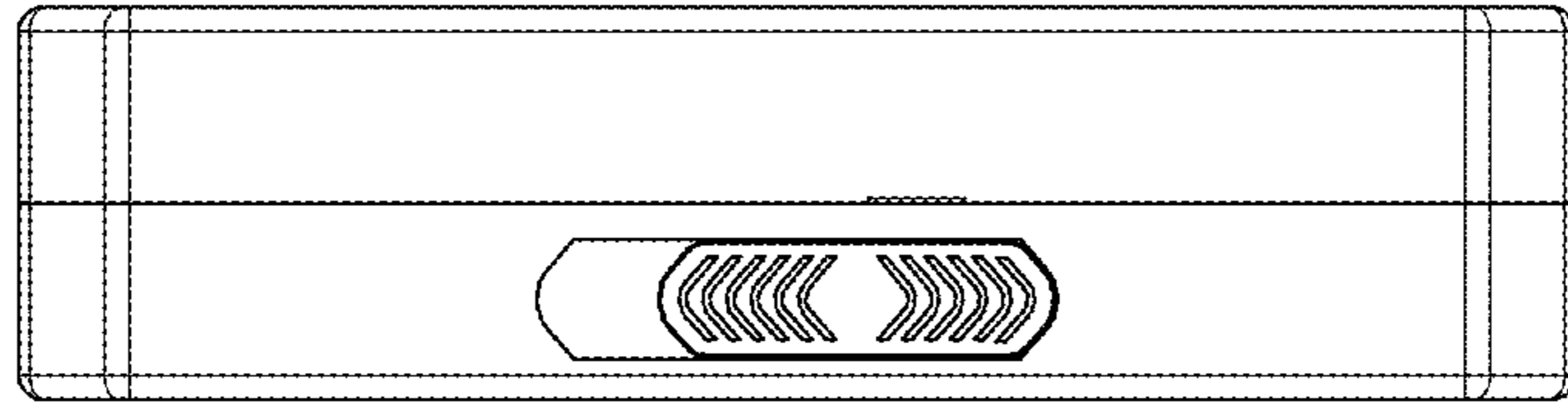


FIG.9

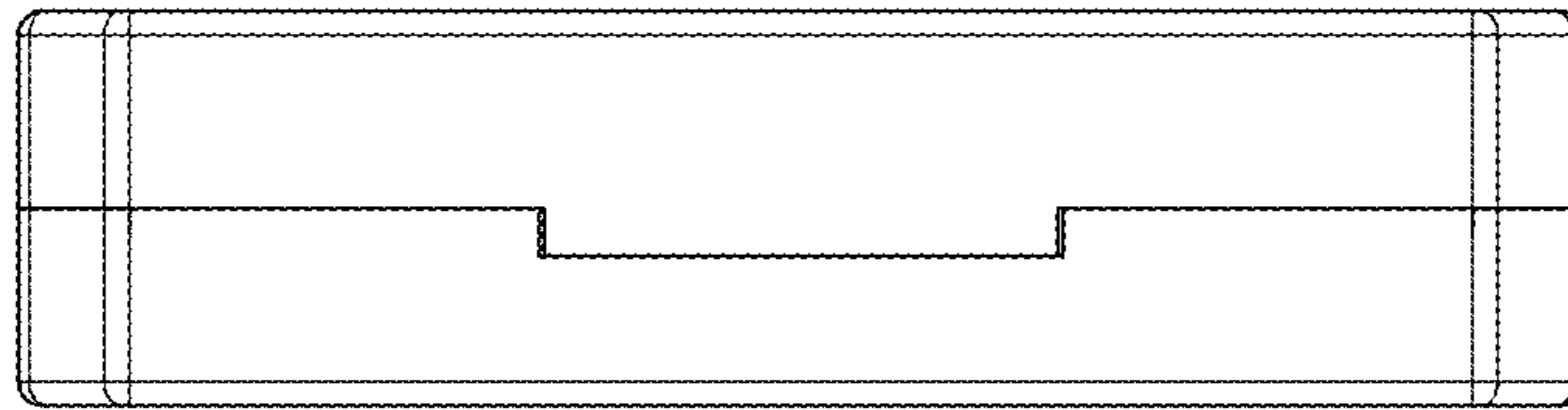


FIG.10

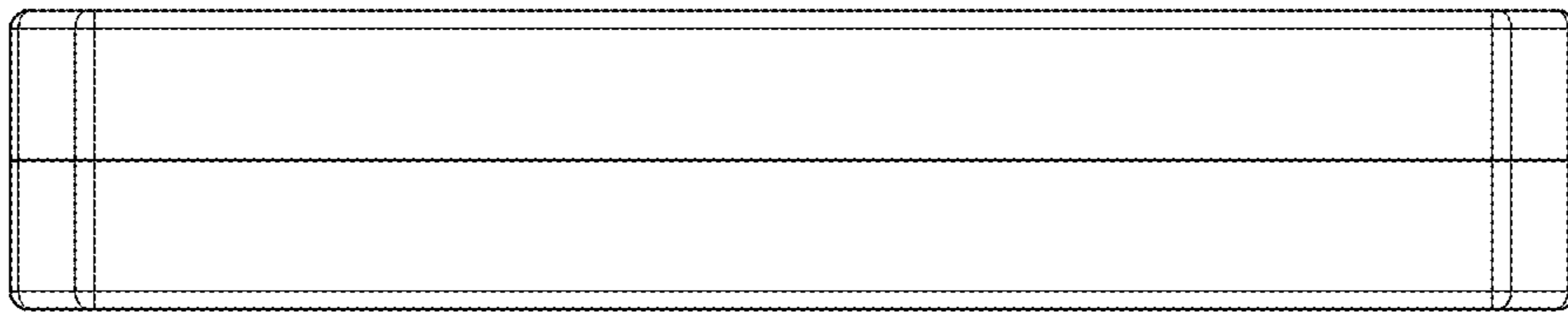


FIG.11

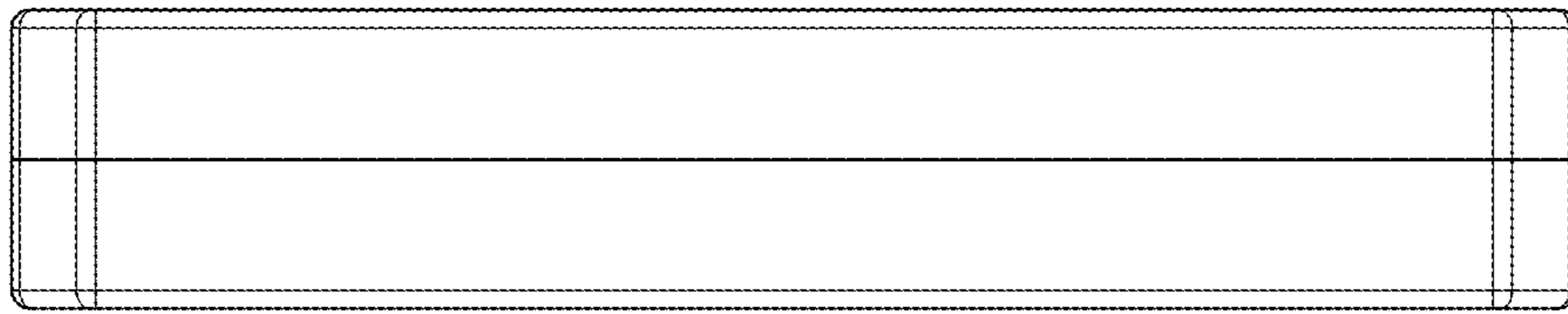


FIG.12

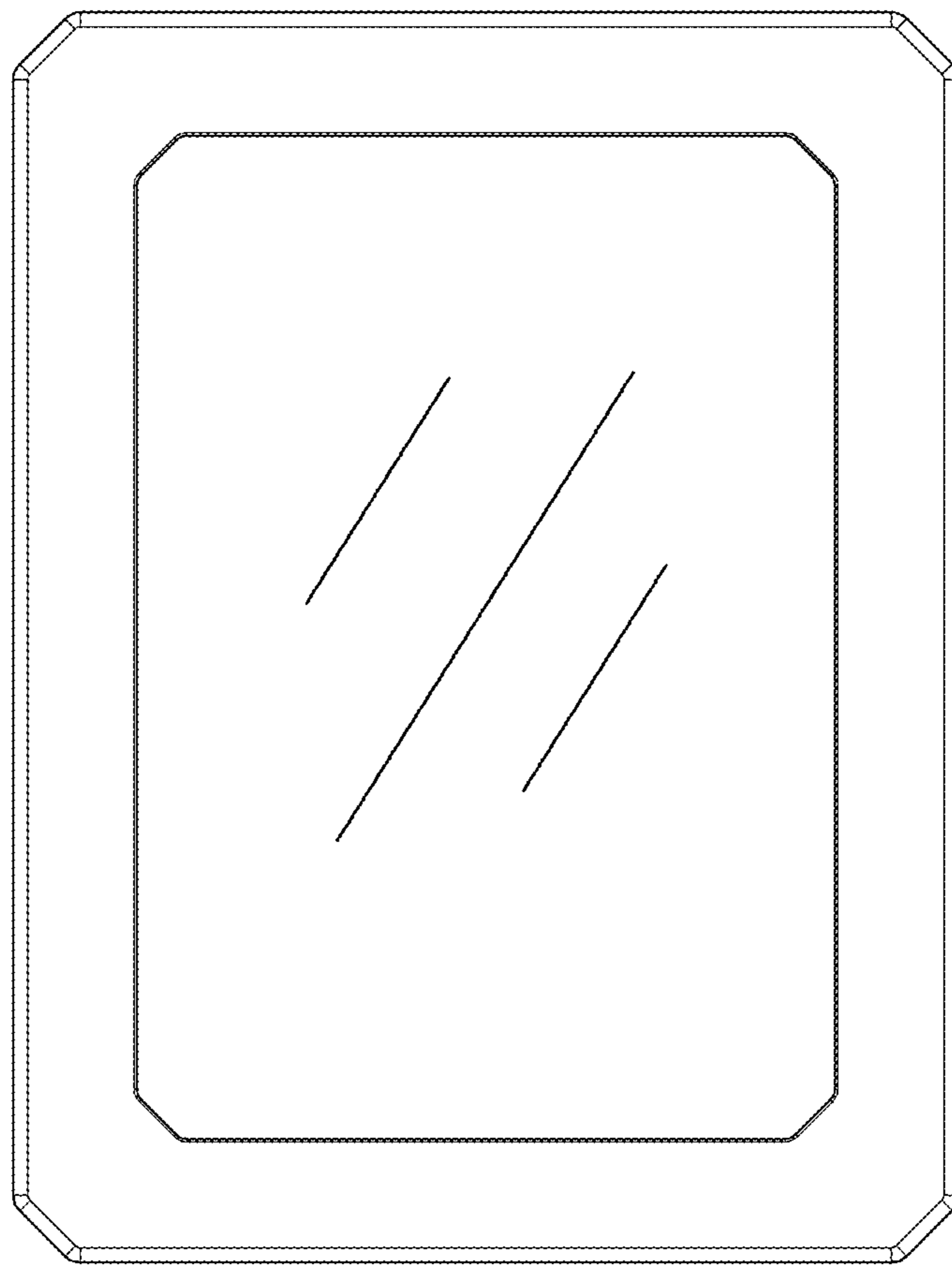


FIG. 13

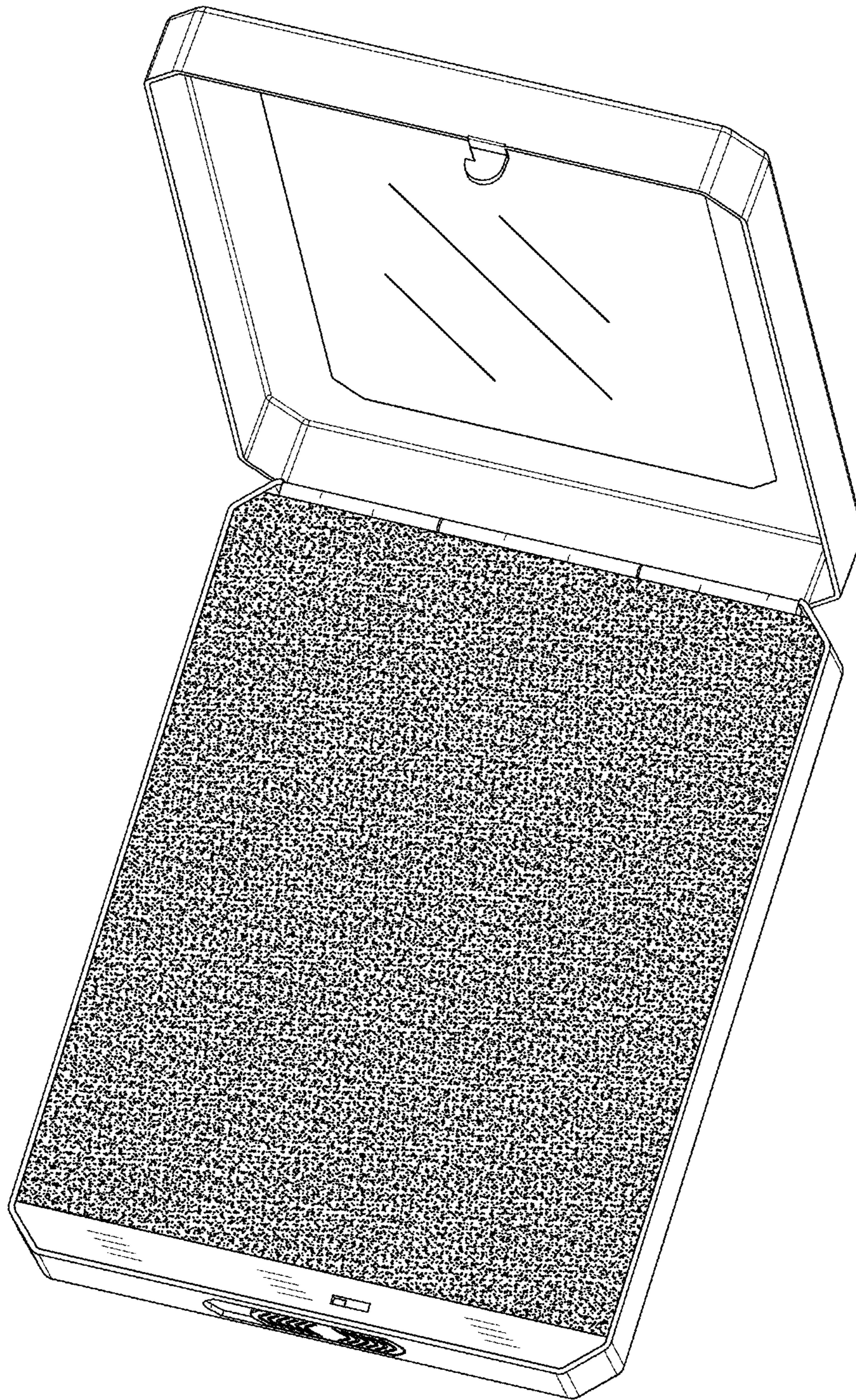


FIG.14