



US00D809296S

(12) **United States Design Patent** (10) **Patent No.:** **US D809,296 S**  
**Morszeck** (45) **Date of Patent:** **\*\* \*Feb. 6, 2018**

- (54) **SUITCASE**
- (71) Applicant: **RIMOWA GmbH**, Cologne (DE)
- (72) Inventor: **Dieter Morszeck**, Cologne (DE)
- (73) Assignee: **RIMOWA GmbH**, Cologne (DE)
- (\*) Notice: This patent is subject to a terminal disclaimer.
- (\*\*) Term: **15 Years**
- (21) Appl. No.: **29/566,987**
- (22) Filed: **Jun. 3, 2016**

**Related U.S. Application Data**

- (62) Division of application No. 29/520,698, filed on Mar. 17, 2015, now Pat. No. Des. 784,016.

(30) **Foreign Application Priority Data**

Sep. 17, 2014 (EP) ..... 002539684  
 Dec. 19, 2014 (EP) ..... 002601609

- (51) **LOC (11) Cl.** ..... **03-01**
- (52) **U.S. Cl.**  
USPC ..... **D3/279**

- (58) **Field of Classification Search**  
USPC ..... D3/273, 276, 279, 281, 282, 289, 291,  
D3/902, 272  
CPC ..... A45C 5/00; A45C 5/03; A45C 2005/037;  
A45C 5/14; A45C 7/0027; A45C 7/0018;  
A45C 2005/032; A45C 2005/035; A45C  
5/04  
See application file for complete search history.

(56) **References Cited**

**U.S. PATENT DOCUMENTS**

D276,052 S \* 10/1984 Wedel ..... D16/246  
 5,685,403 A \* 11/1997 Morszeck ..... A45C 5/14  
 190/126

D402,463 S *	12/1998	Mettler	.....	D3/279
D417,076 S *	11/1999	Buban, Jr.	.....	D3/276
D417,781 S *	12/1999	Staheli	.....	D3/276
D437,484 S *	2/2001	Tiramani	.....	D3/276
D463,910 S *	10/2002	Tchan	.....	D3/279
D663,119 S *	7/2012	Wright	.....	D3/274
D666,000 S *	8/2012	Gifford	.....	D3/279
D675,018 S *	1/2013	Roberts	.....	D3/279
D722,771 S *	2/2015	Wu	.....	D3/279
9,016,449 B1 *	4/2015	Soboyejo	.....	A45C 5/00 150/106
D740,558 S *	10/2015	Liao	.....	D3/279
D755,518 S *	5/2016	Sijmons	.....	D3/279
D759,971 S *	6/2016	Riddiford	.....	D3/279
D768,985 S *	10/2016	Morszeck	.....	D3/279
D783,282 S *	4/2017	Sijmons	.....	D3/279
D784,016 S *	4/2017	Morszeck	.....	D3/279
2004/0129469 A1 *	7/2004	Kader	.....	A45C 5/14 180/167

(Continued)

*Primary Examiner* — Jennifer Rivard  
*Assistant Examiner* — April Rivas  
 (74) *Attorney, Agent, or Firm* — Maier & Maier, PLLC

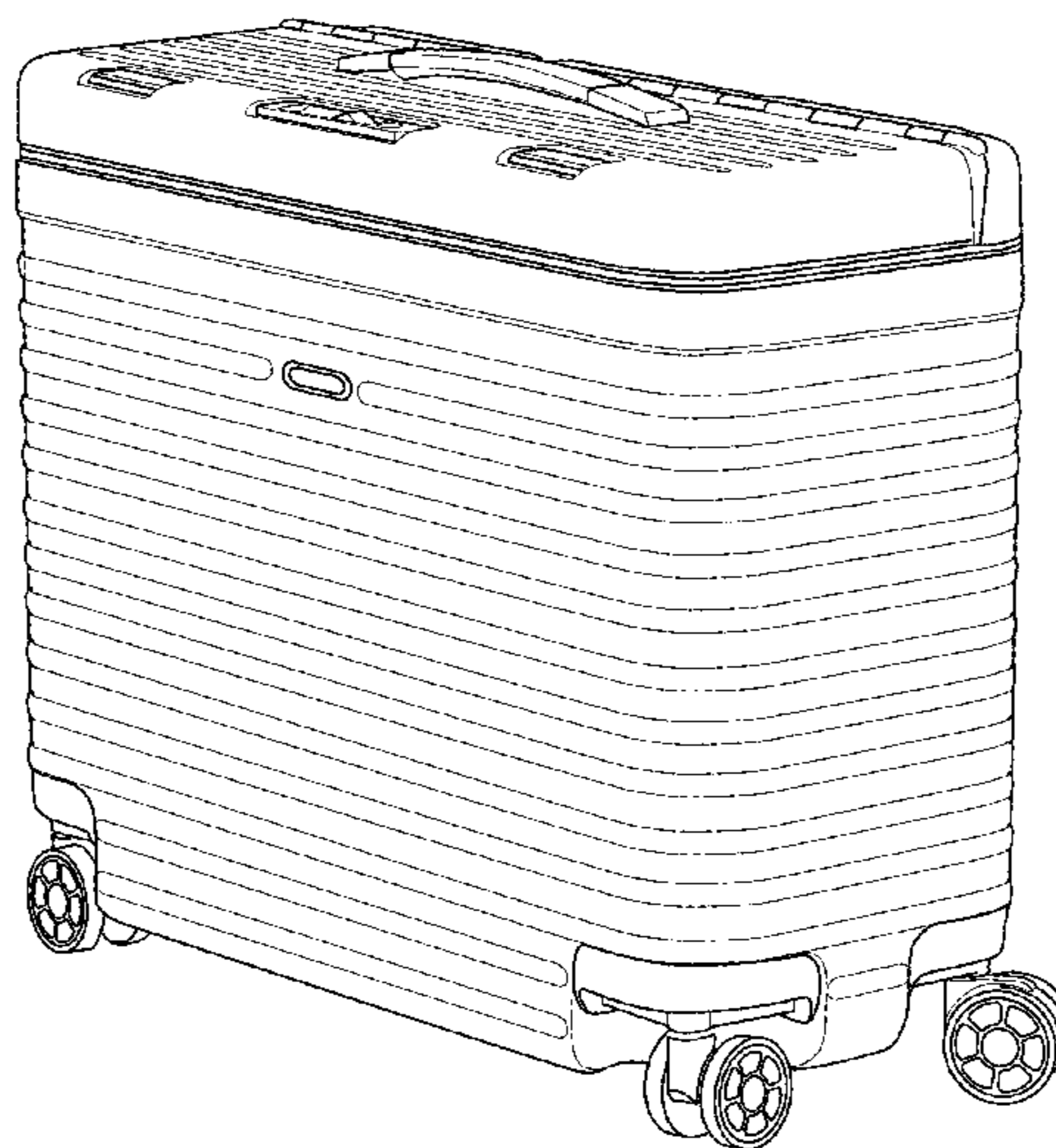
(57) **CLAIM**

The ornamental design for a suitcase, as shown and described.

**DESCRIPTION**

FIG. 1 is a front right perspective view of a suitcase;  
 FIG. 2 is a front view thereof;  
 FIG. 3 is a rear view thereof;  
 FIG. 4 is a right side view thereof;  
 FIG. 5 is a left side view thereof;  
 FIG. 6 is a top view thereof; and,  
 FIG. 7 is a bottom view thereof.  
 The broken lines illustrate portions of the suitcase and form no part of the claimed design.

**1 Claim, 6 Drawing Sheets**



(56)

**References Cited**

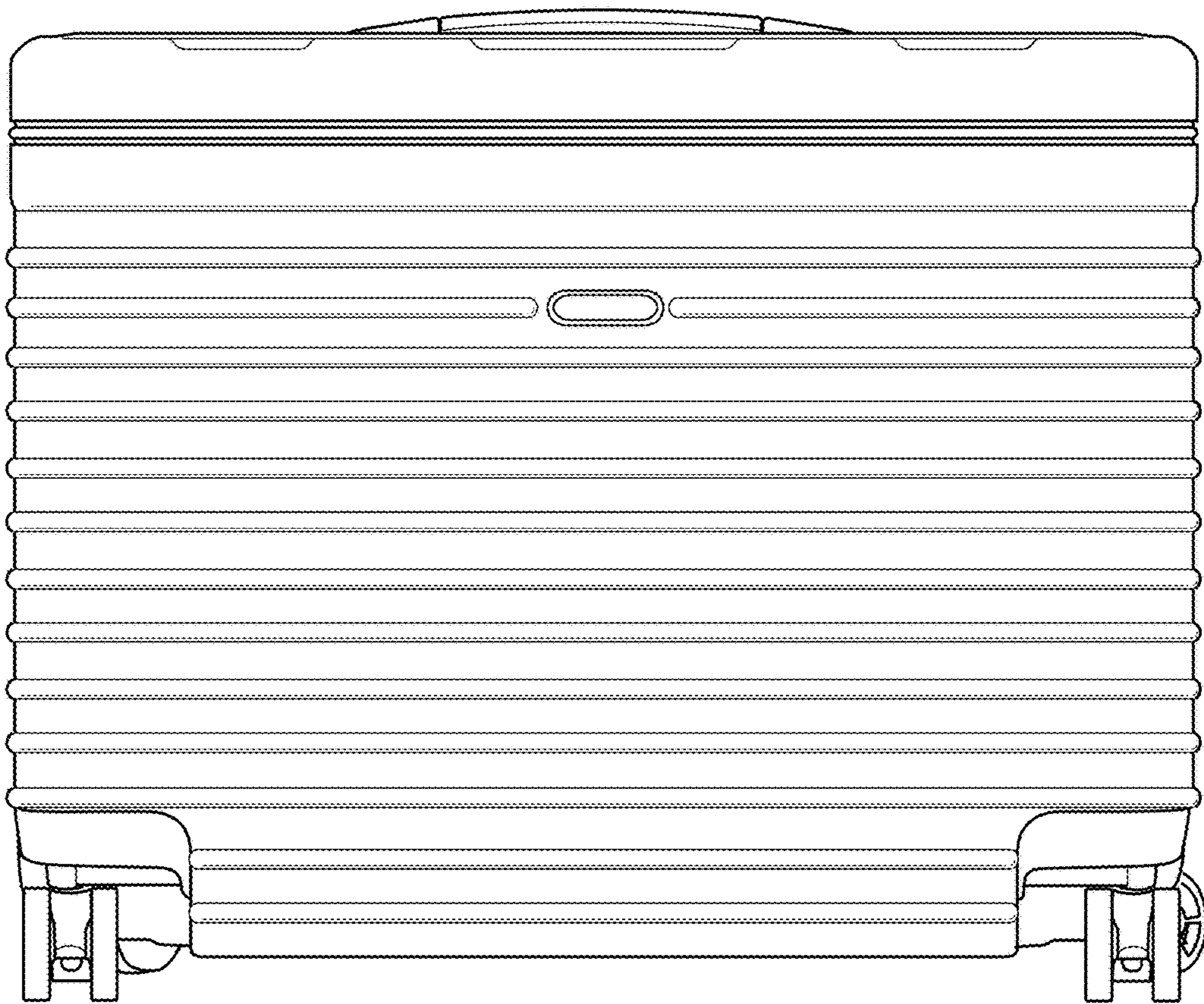
U.S. PATENT DOCUMENTS

2014/0374205 A1\* 12/2014 De Jesus ..... A45C 5/14  
190/18 A  
2016/0051022 A1\* 2/2016 Morszeck ..... A45C 5/02  
190/18 A  
2016/0113366 A1\* 4/2016 Sijmons ..... A45C 5/14  
190/124  
2016/0286912 A1\* 10/2016 Morszeck ..... A45C 5/03  
2017/0042302 A1\* 2/2017 Farrelly ..... A45C 13/30

\* cited by examiner



*Fig. 1*



*Fig. 2*

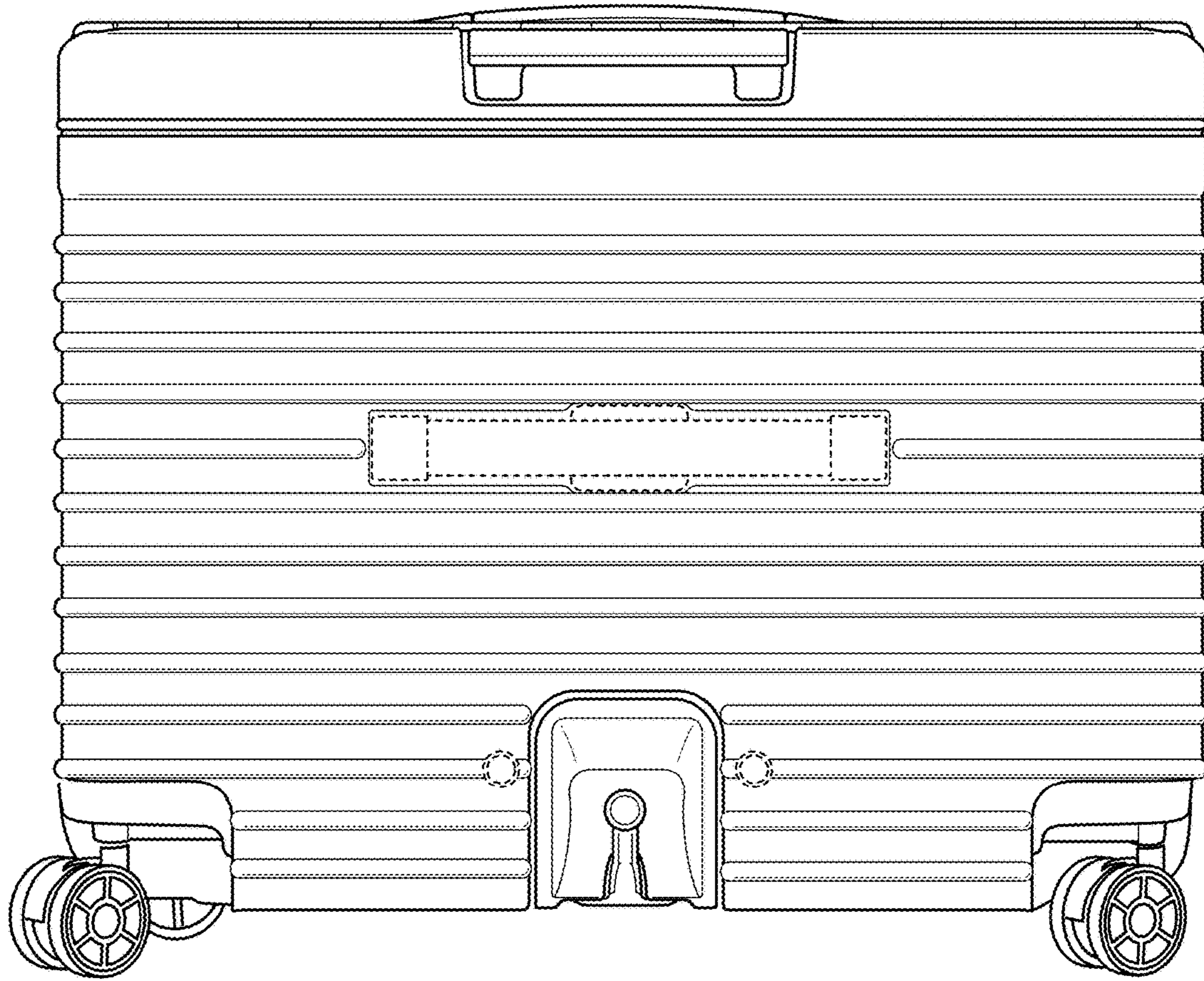
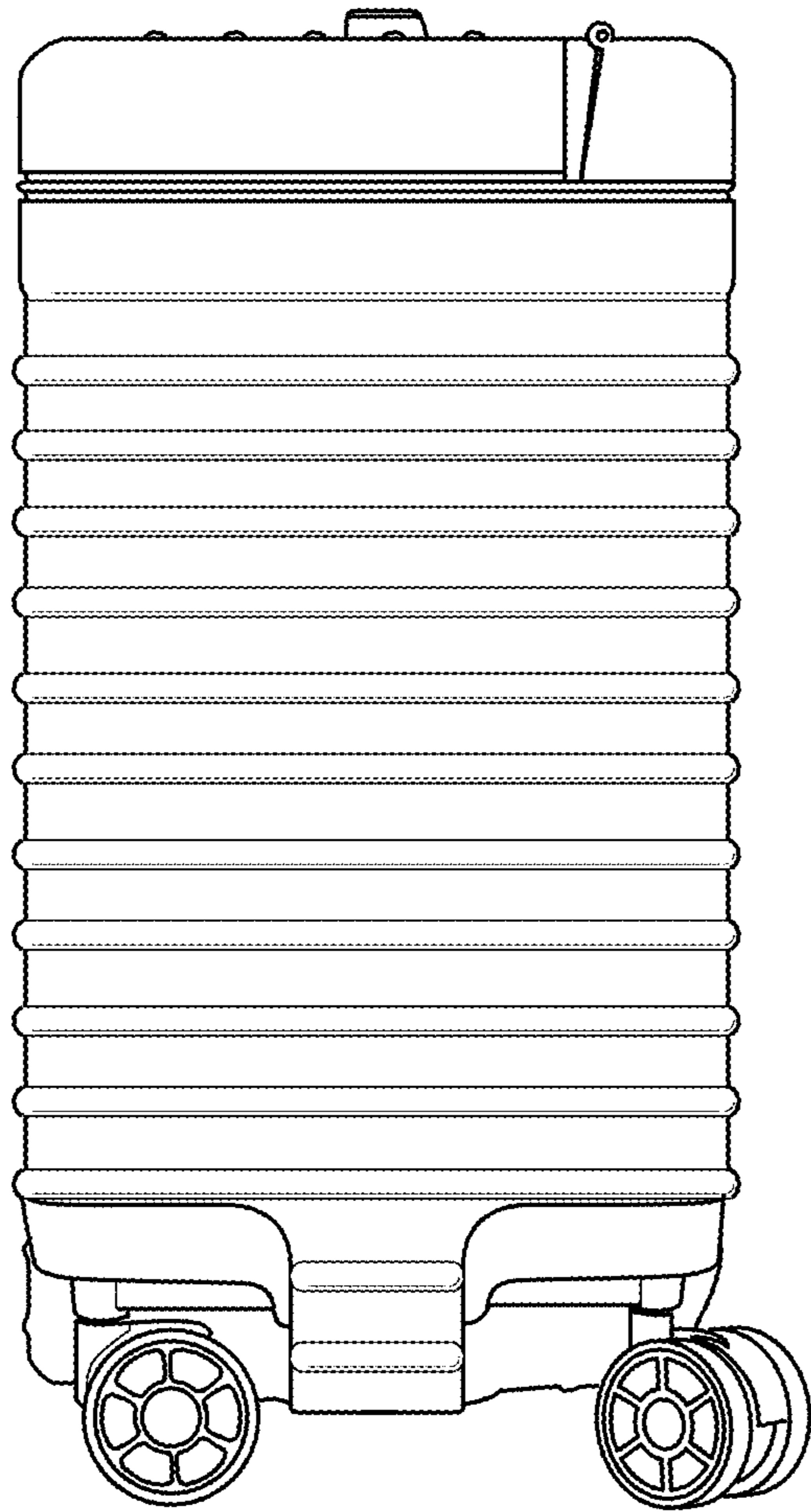
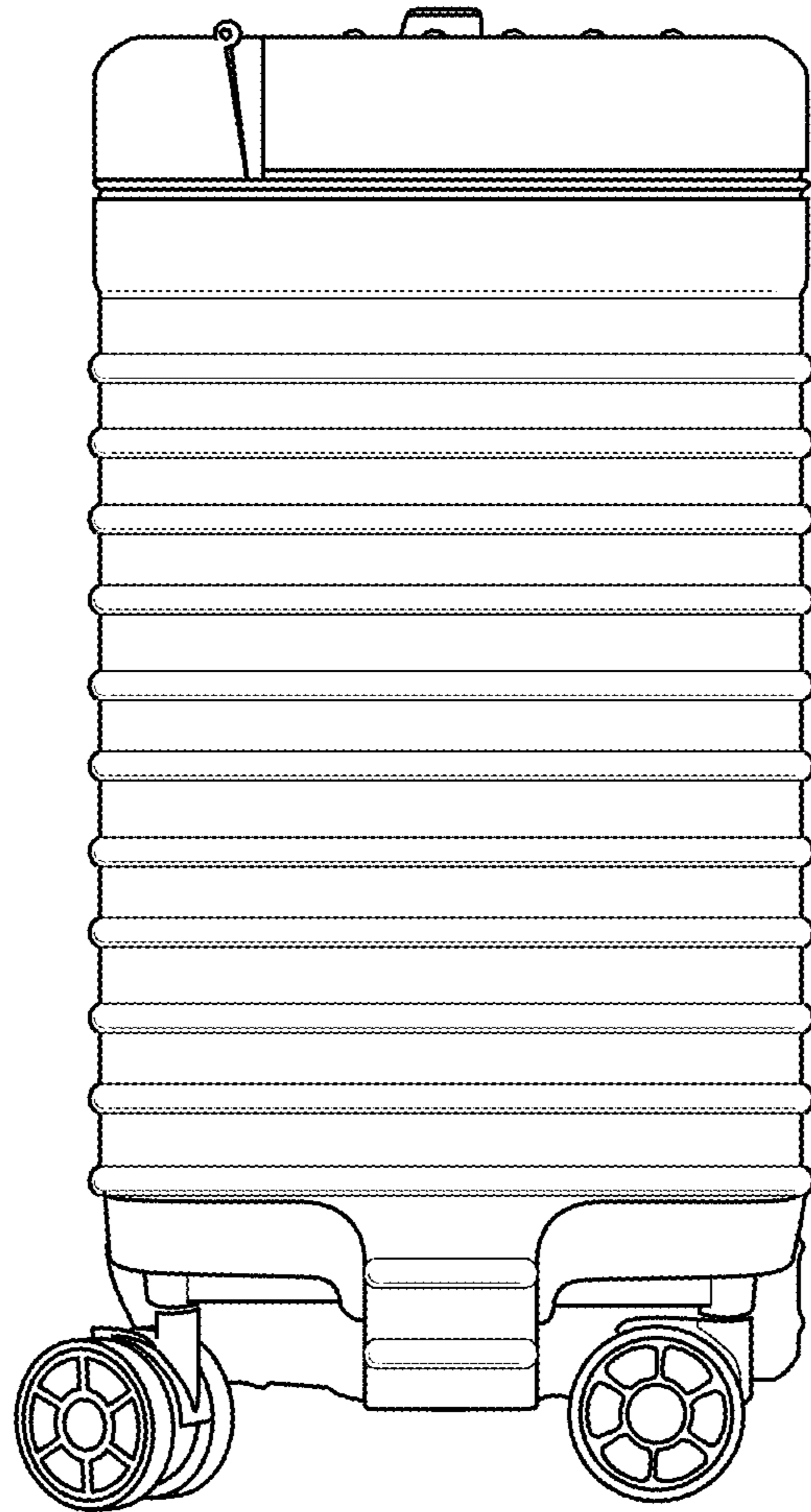


Fig. 3



*Fig. 4*



*Fig. 5*

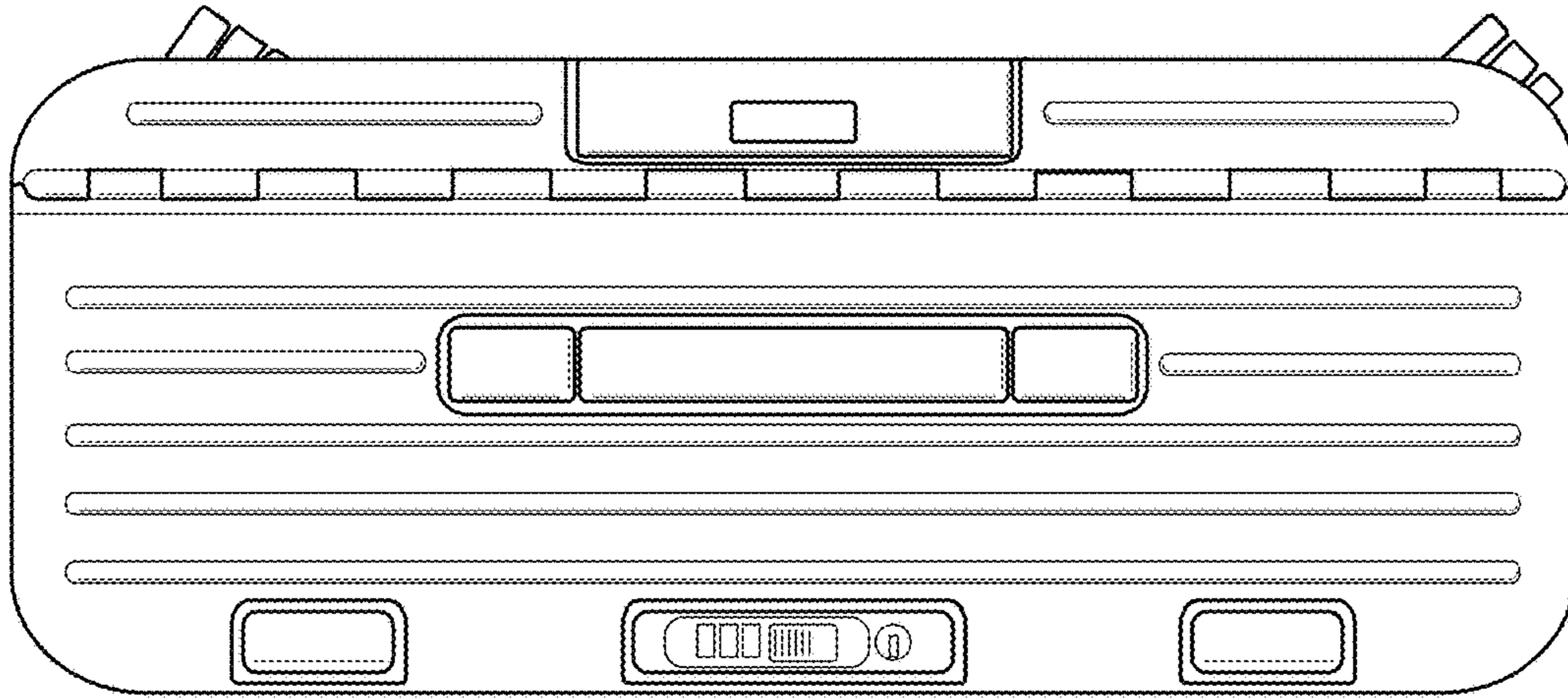


Fig. 6

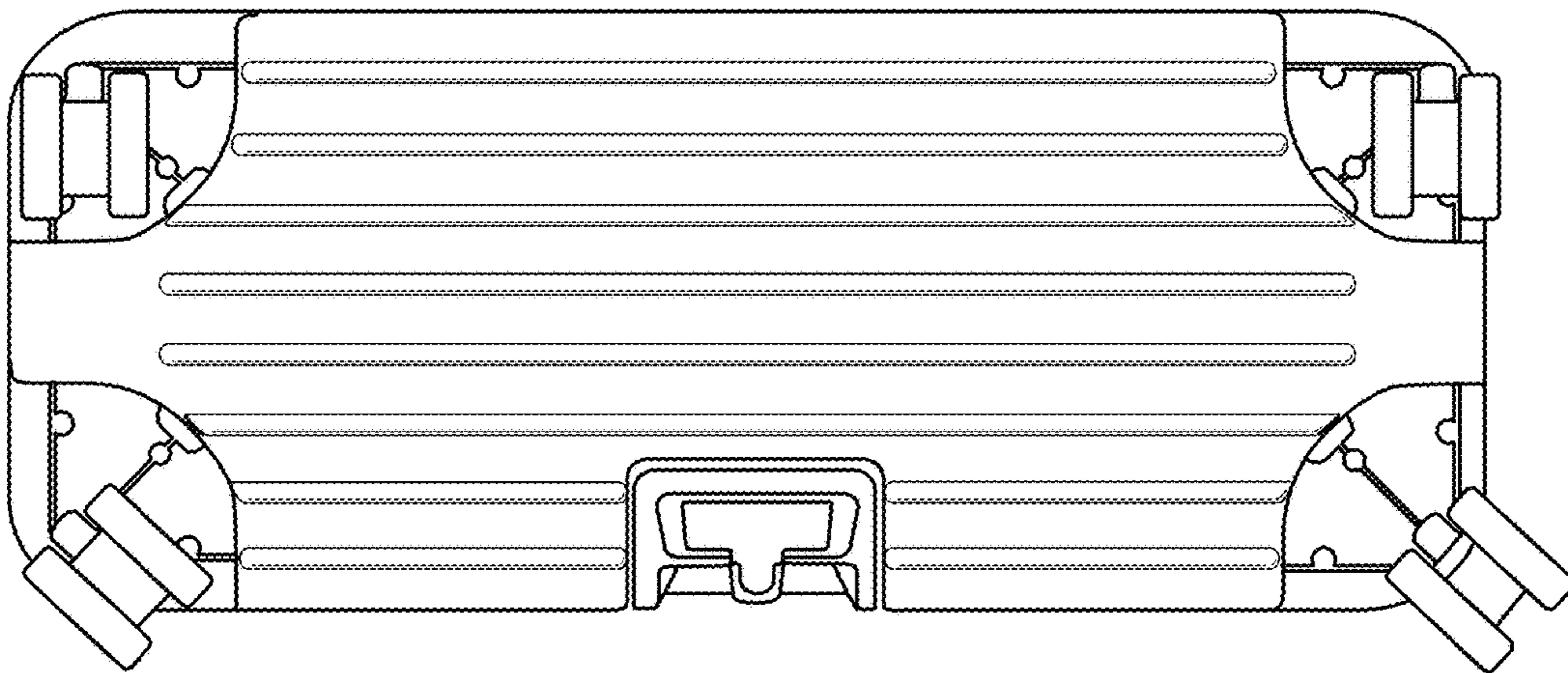


Fig. 7