



US00D809295S

(12) **United States Design Patent** (10) **Patent No.:** **US D809,295 S**  
**Ehret** (45) **Date of Patent:** **\*\* Feb. 6, 2018**

(54) **LUGGAGE**

(71) Applicant: **BERNARD EHRET DESIGN**,  
Molsheim (FR)  
(72) Inventor: **Bernard Ehret**, Barr (FR)  
(73) Assignee: **BERNARD EHRET DESIGN**,  
Molsheim (FR)  
(\*\*) Term: **15 Years**

(21) Appl. No.: **29/555,726**

(22) Filed: **Feb. 24, 2016**

(51) **LOC (11) Cl.** ..... **03-01**

(52) **U.S. Cl.**  
USPC ..... **D3/279**; D3/289

(58) **Field of Classification Search**  
USPC ..... D3/273, 276, 279, 281, 282, 289, 283  
CPC ..... A45C 5/00; A45C 5/03; A45C 2005/037;  
A45C 2005/032; A45C 5/14  
See application file for complete search history.

(56) **References Cited**

**U.S. PATENT DOCUMENTS**

|                   |         |            |       |                        |
|-------------------|---------|------------|-------|------------------------|
| D375,199 S *      | 11/1996 | Stokes     | ..... | D3/279                 |
| D462,169 S *      | 9/2002  | Giovanni   | ..... | D3/279                 |
| D623,856 S *      | 9/2010  | Pezzini    | ..... | D3/279                 |
| D666,414 S *      | 9/2012  | Giovannoni | ..... | D3/279                 |
| D677,050 S *      | 3/2013  | Saba       | ..... | D3/276                 |
| D718,939 S *      | 12/2014 | Sheikh     | ..... | D3/321                 |
| D762,977 S *      | 8/2016  | Xu         | ..... | D3/279                 |
| D765,972 S *      | 9/2016  | Daniel     | ..... | D3/274                 |
| 2003/0196860 A1 * | 10/2003 | Be         | ..... | A45C 5/02<br>190/18 A  |
| 2014/0284157 A1 * | 9/2014  | Sheikh     | ..... | A45C 7/0027<br>190/103 |

**OTHER PUBLICATIONS**

Amazon, "Jump Classic PC M Spinner beige", First on sale Sep. 26, 2016, Accessed Jan. 24, 2017. ([https://www.amazon.co.uk/Jump-Cassis-PC-Spinner-beige/dp/B01M0KXQ0G/ref=sr\\_1\\_37?s=luggage&ie=UTF8&qid=1485285490&sr=1-37](https://www.amazon.co.uk/Jump-Cassis-PC-Spinner-beige/dp/B01M0KXQ0G/ref=sr_1_37?s=luggage&ie=UTF8&qid=1485285490&sr=1-37)).\*

\* cited by examiner

*Primary Examiner* — Jennifer Rivard

*Assistant Examiner* — April Rivas

(74) *Attorney, Agent, or Firm* — Andrews Kurth Kenyon LLP

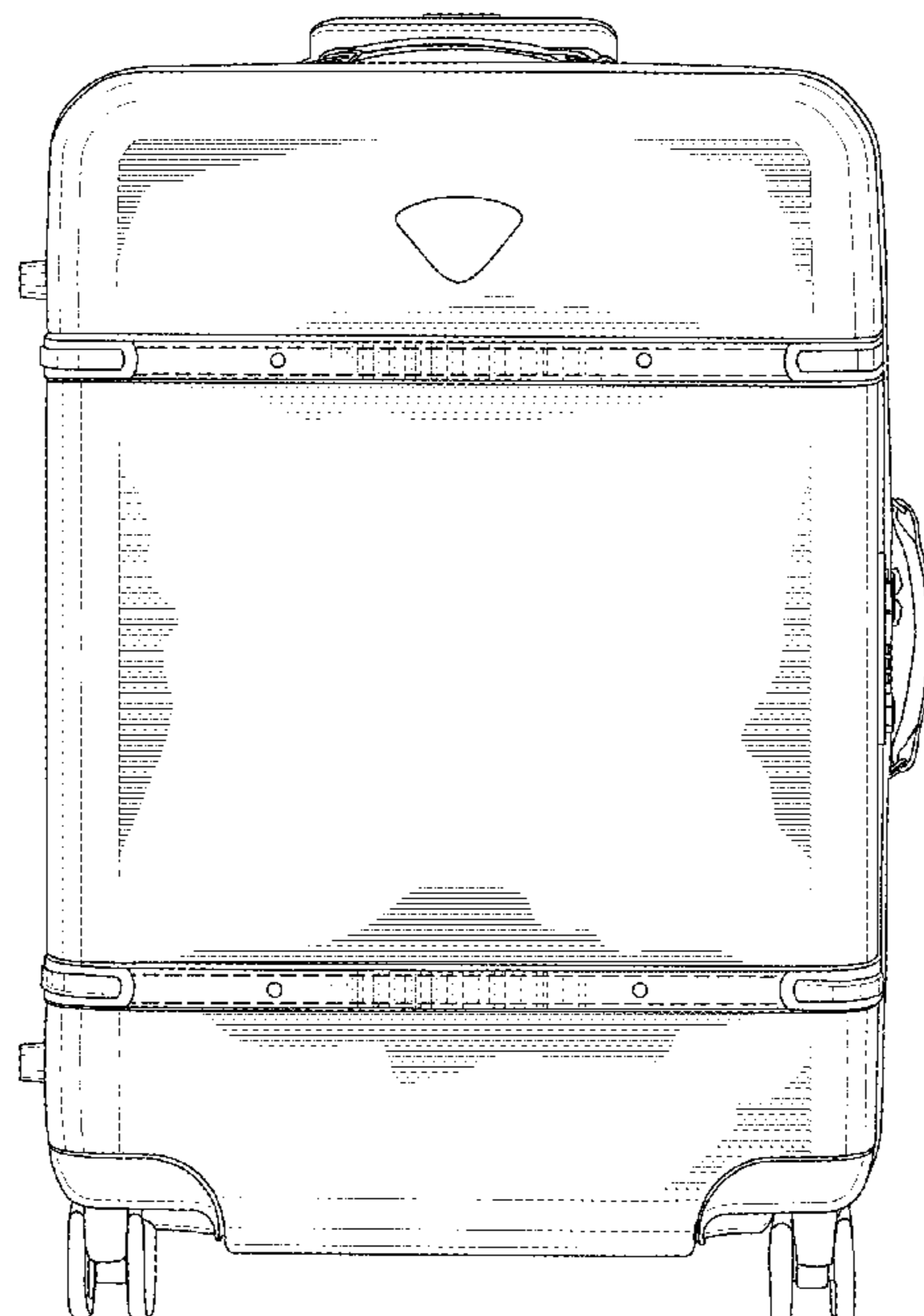
(57) **CLAIM**

The ornamental design for a luggage, as shown and described.

**DESCRIPTION**

FIG. 1 is a front view of a luggage showing my new design; FIG. 2 is a rear perspective view thereof with the handle shown partially extended; FIG. 3 is a rear perspective view thereof with the handle shown partially extended; FIG. 4 is a front perspective view thereof with the handle shown fully extended; FIG. 5 is a left side view thereof with the handle shown fully retracted; and, FIG. 6 is a right side view thereof with the handle shown fully retracted. The consistently broken lines appearing in the straps and the handles constitute stitching that forms part of the claimed design.

**1 Claim, 6 Drawing Sheets**



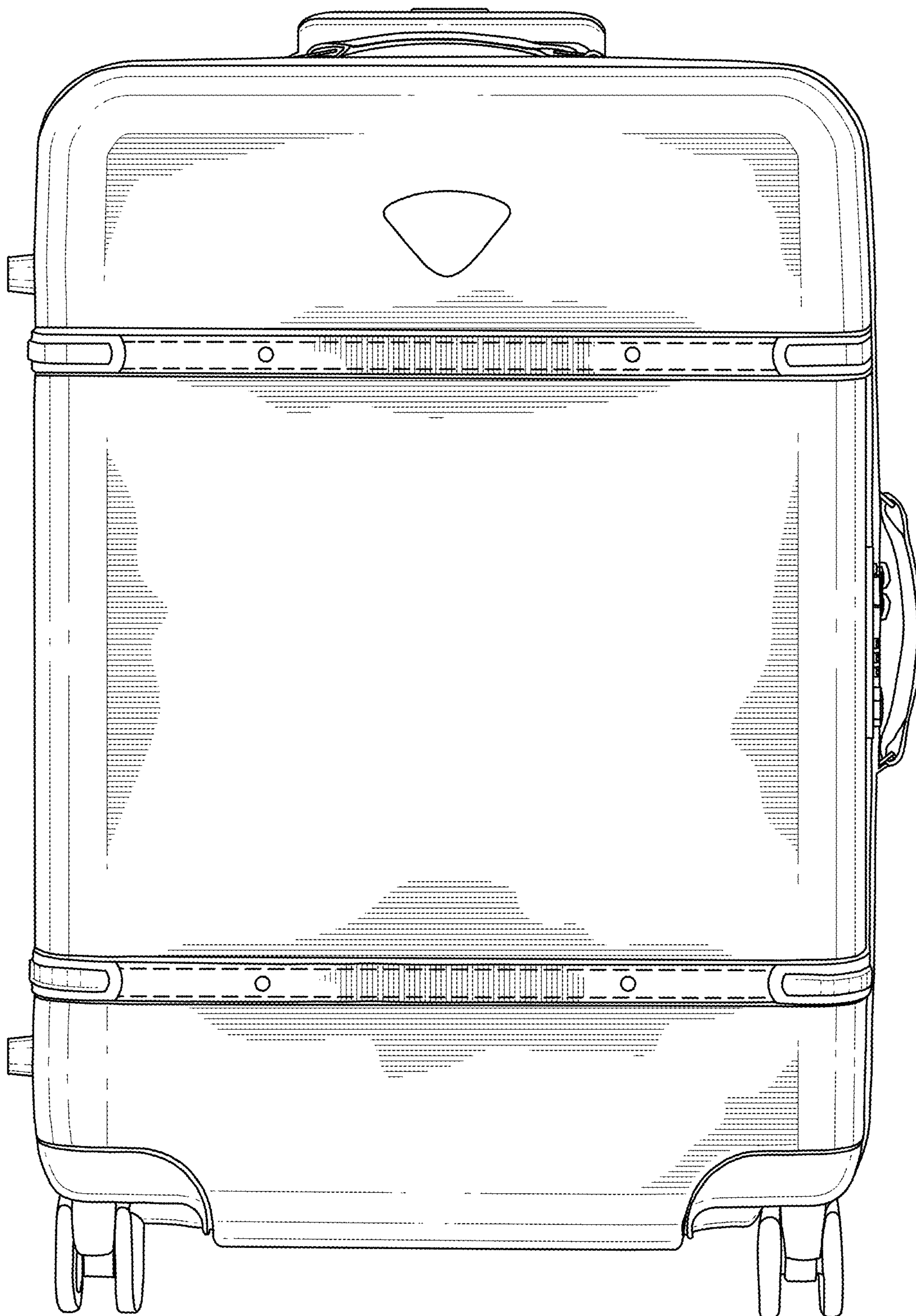


FIG. 1

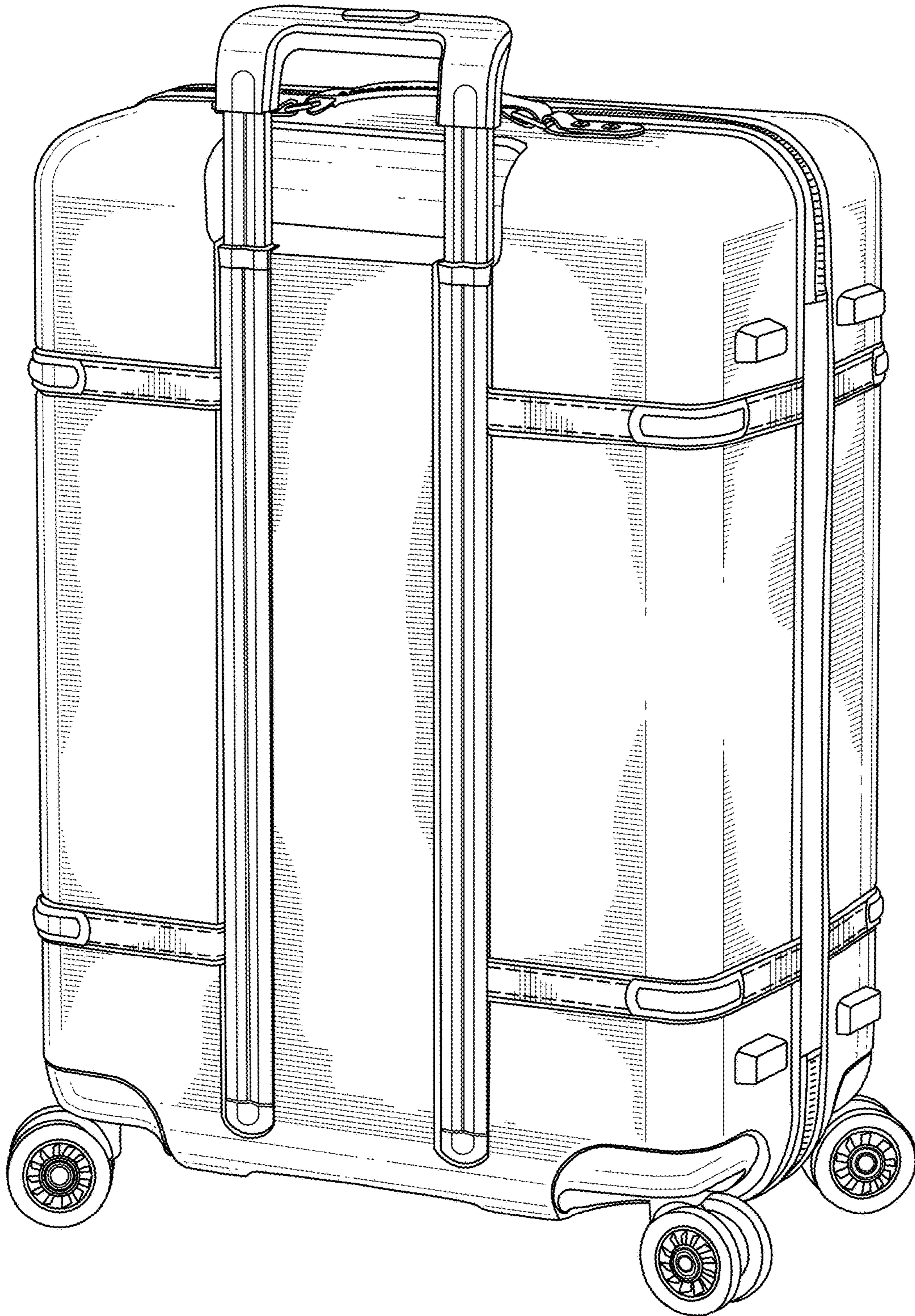


FIG. 2

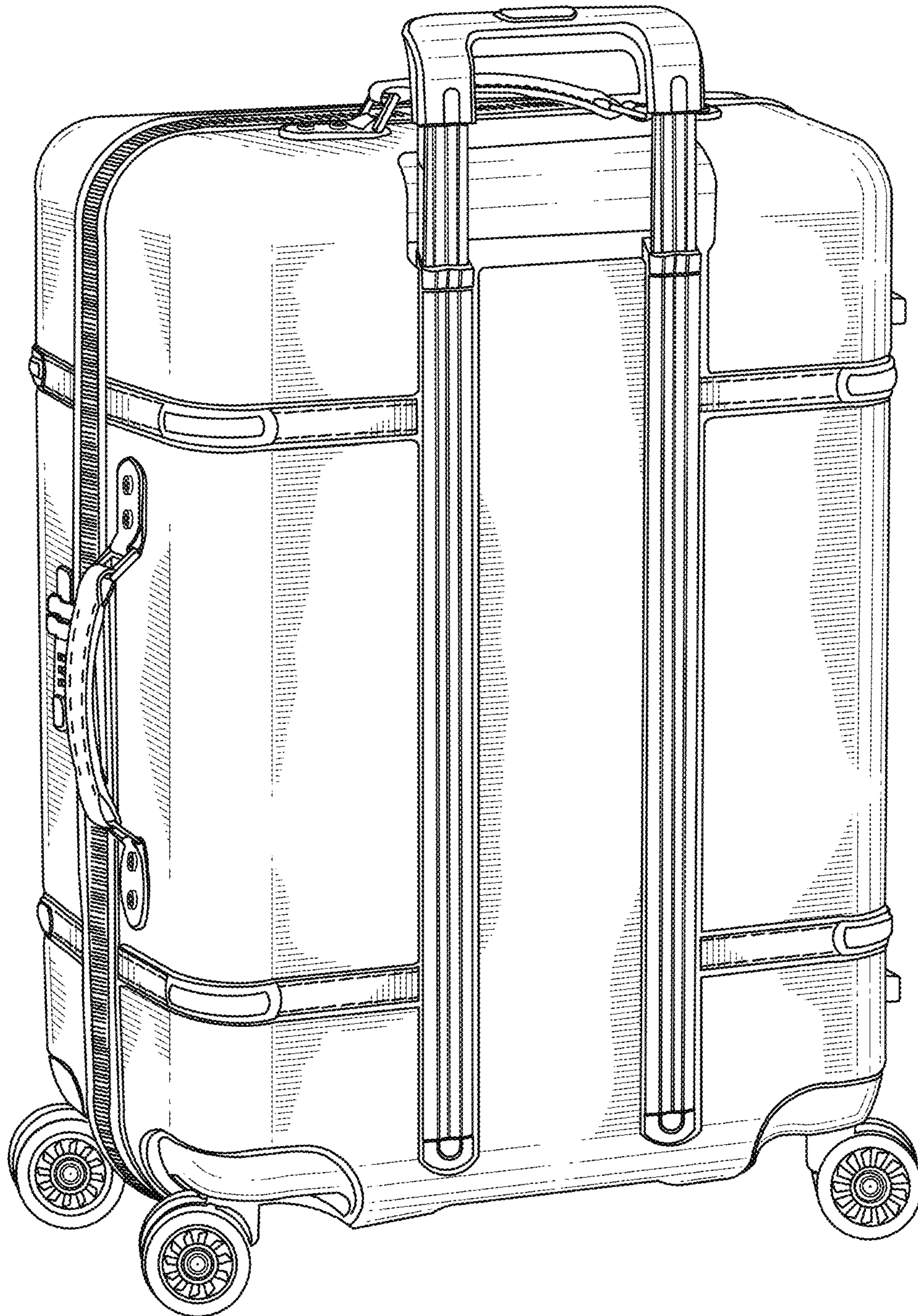


FIG. 3



FIG. 4

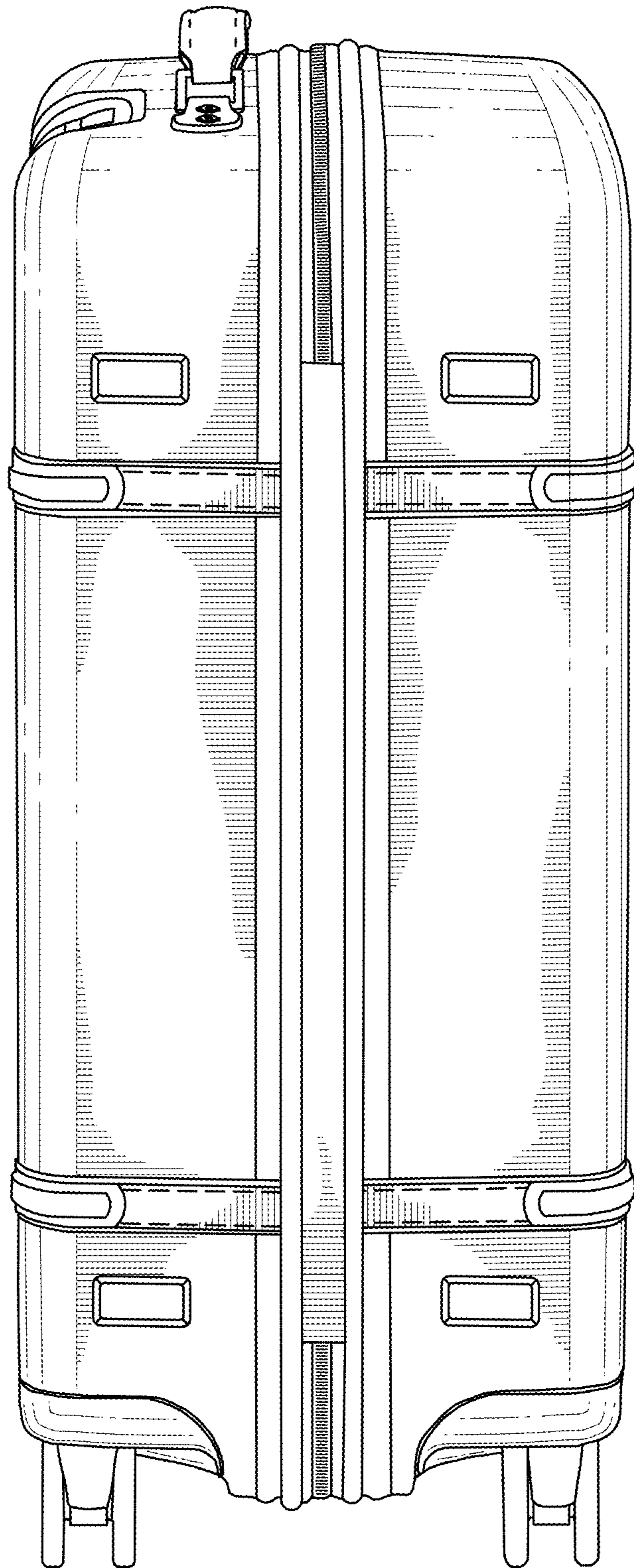


FIG. 5

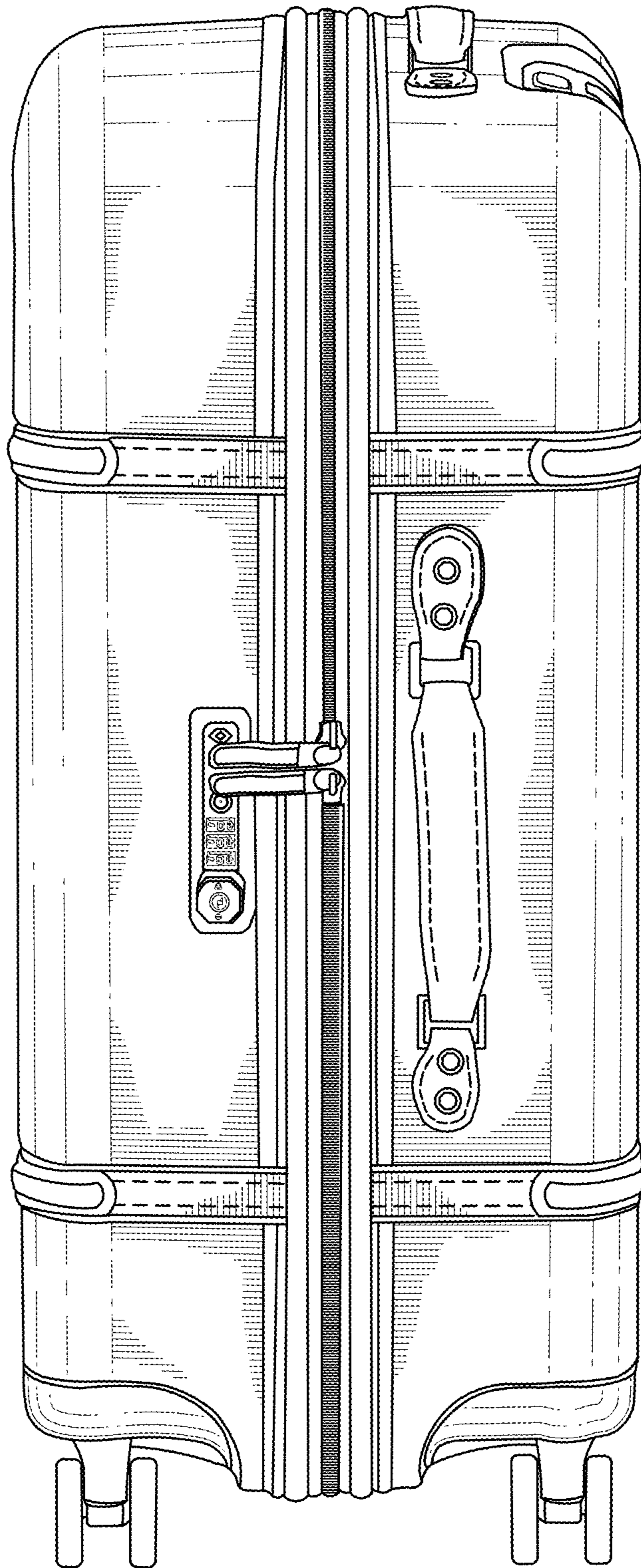


FIG. 6