



US00D809294S

(12) **United States Design Patent**  
**Tong**

(10) **Patent No.:** **US D809,294 S**

(45) **Date of Patent:** **\*\* Feb. 6, 2018**

(54) **LUGGAGE**

(71) Applicant: **Joy Tong**, Boca Raton, FL (US)

(72) Inventor: **Joy Tong**, Boca Raton, FL (US)

(\*\*) Term: **15 Years**

(21) Appl. No.: **29/550,317**

(22) Filed: **Dec. 31, 2015**

(51) **LOC (11) Cl.** ..... **03-01**

(52) **U.S. Cl.**  
USPC ..... **D3/279**

(58) **Field of Classification Search**  
USPC ..... D3/272, 273, 276, 279, 281, 282, 289,  
D3/291, 292, 24, 283, 301, 302, 303, 904,  
D3/905, 285  
CPC .... A45C 5/00; A45C 5/02; A45C 5/03; A45C  
5/04; A45C 5/06; A45C 5/08; A45C 5/14;  
A45C 5/141; A45C 7/0018; A45C  
2003/007; A45C 2003/008; A45C  
2005/032; A45C 2005/035; A45C  
2005/037; A45C 2005/142; A45C  
2005/148

See application file for complete search history.

(56) **References Cited**

**U.S. PATENT DOCUMENTS**

6,651,792 B1 \* 11/2003 Kuwayama ..... A45C 13/36  
190/115  
D485,681 S \* 1/2004 Fenton ..... D3/279  
D554,862 S \* 11/2007 Hsieh ..... D3/279  
D582,673 S \* 12/2008 Mangano ..... D3/279  
D601,342 S \* 10/2009 Choi ..... D3/279  
D603,163 S \* 11/2009 Van Himbeeck ..... D3/279

D630,850 S \* 1/2011 Gifford ..... D3/279  
7,900,758 B2 \* 3/2011 King ..... A45C 7/0036  
190/110  
D665,999 S \* 8/2012 Gifford ..... D3/279  
D755,523 S \* 5/2016 Szyf ..... D3/318  
2004/0117973 A1 \* 6/2004 Fenton ..... A45C 5/02  
29/469  
2015/0130148 A1 \* 5/2015 Meersschaert ..... A45C 5/03  
280/47.34  
2016/0029763 A1 \* 2/2016 Meersschaert ..... A45C 5/02  
190/18 A

**OTHER PUBLICATIONS**

Ebay. "Swiss Gear Zurich 24.5" Upright Suitcase." First revised May 15, 2016. Retrieved Oct. 26, 2016. (<http://www.ebay.com/itm/Swiss-Gear-Zurich-24-5-Upright-Suitcase-Pewter-/282039733063>).\*

\* cited by examiner

*Primary Examiner* — Jennifer Rivard  
*Assistant Examiner* — Jerry Hsu  
(74) *Attorney, Agent, or Firm* — Pai Patent & Trademark Law Firm; Chao-Chang David Pai

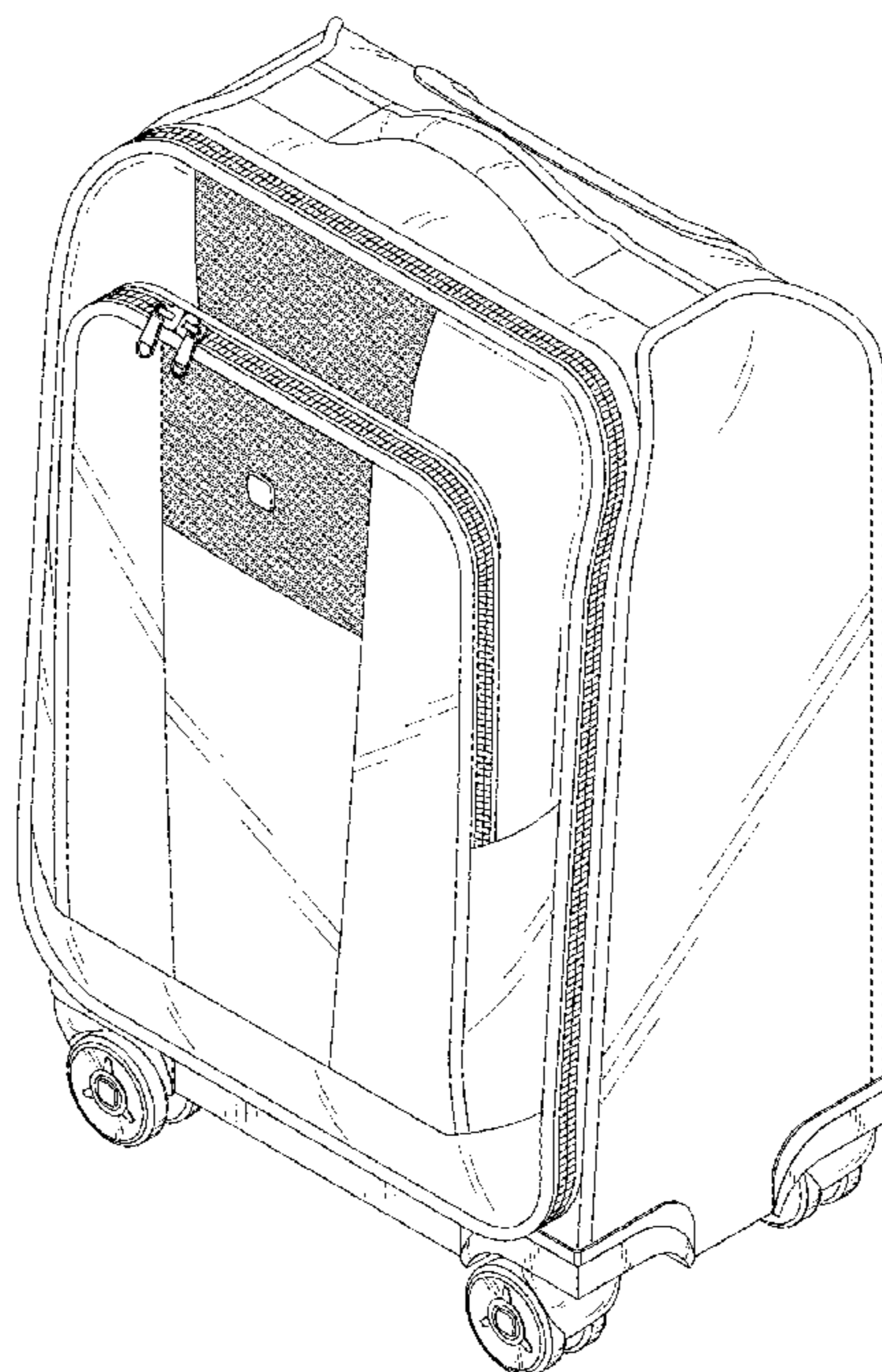
(57) **CLAIM**

The ornamental design for a luggage, as shown.

**DESCRIPTION**

FIG. 1 is a right side perspective view of a luggage, showing my new design;  
FIG. 2 is a front elevational view thereof;  
FIG. 3 is a rear elevational view thereof;  
FIG. 4 is a left side elevational view thereof;  
FIG. 5 is a right side elevational view thereof;  
FIG. 6 is a top plan view thereof; and,  
FIG. 7 is a bottom plan view thereof.

**1 Claim, 6 Drawing Sheets**



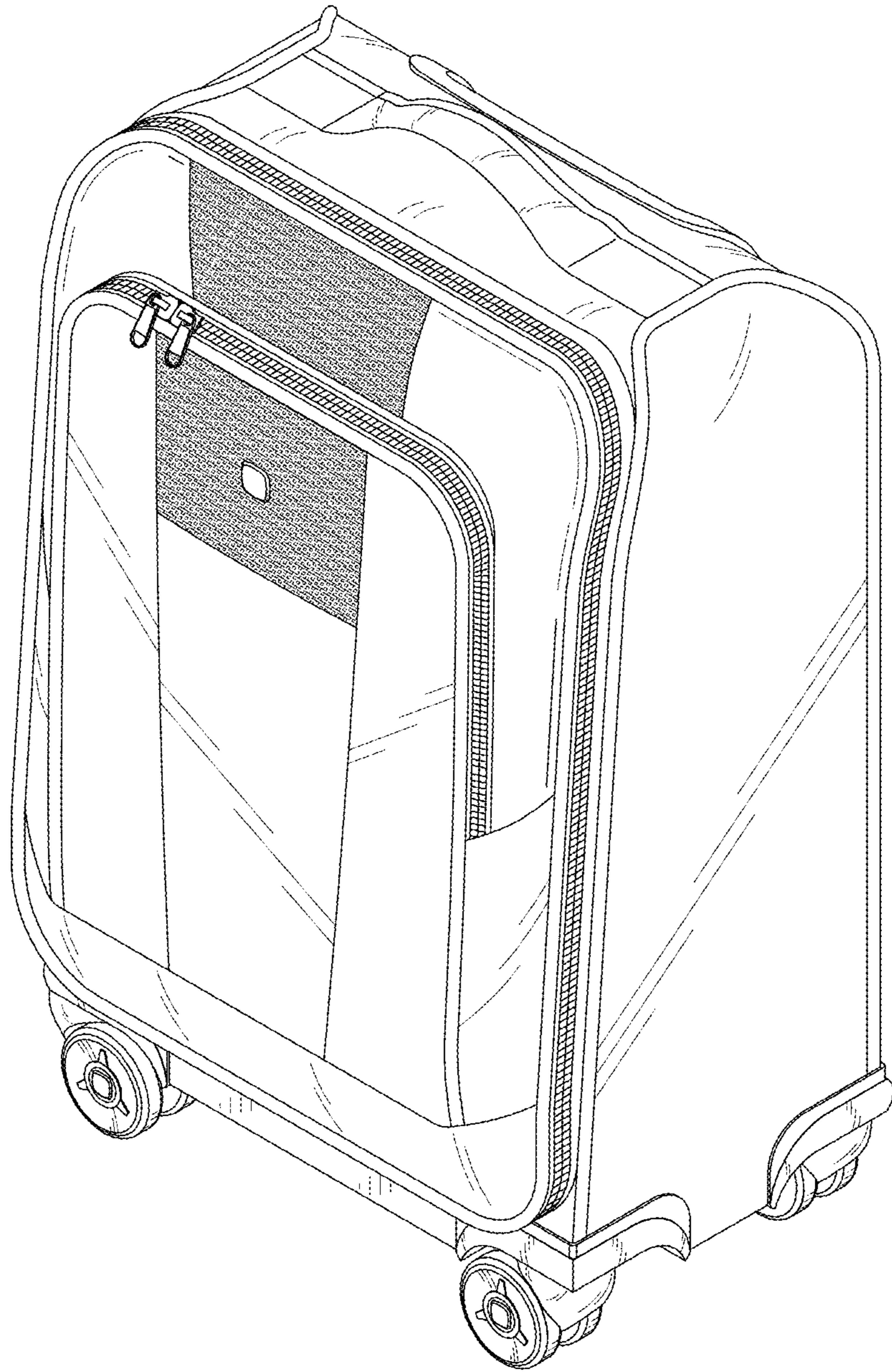


FIG. 1

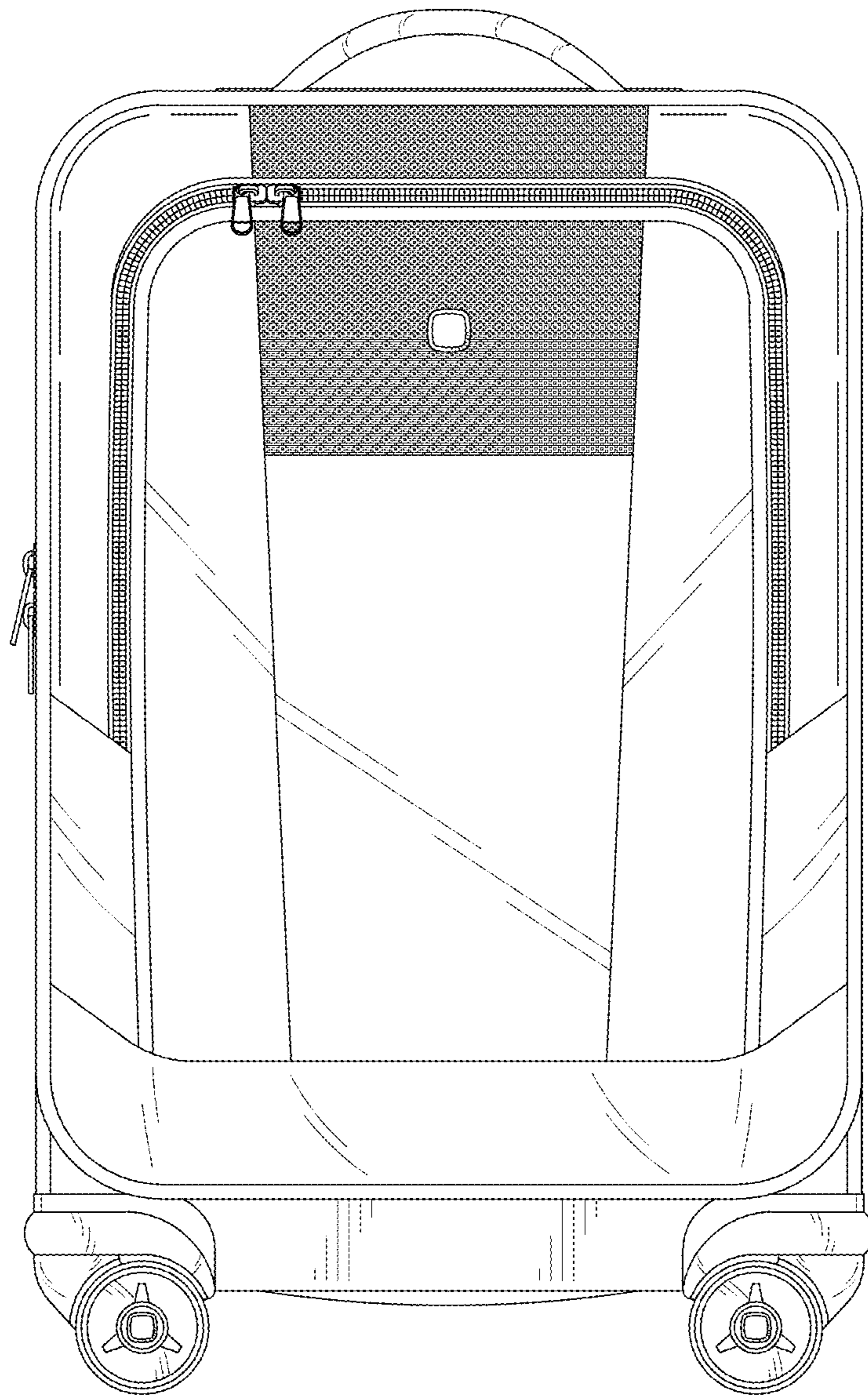


FIG. 2

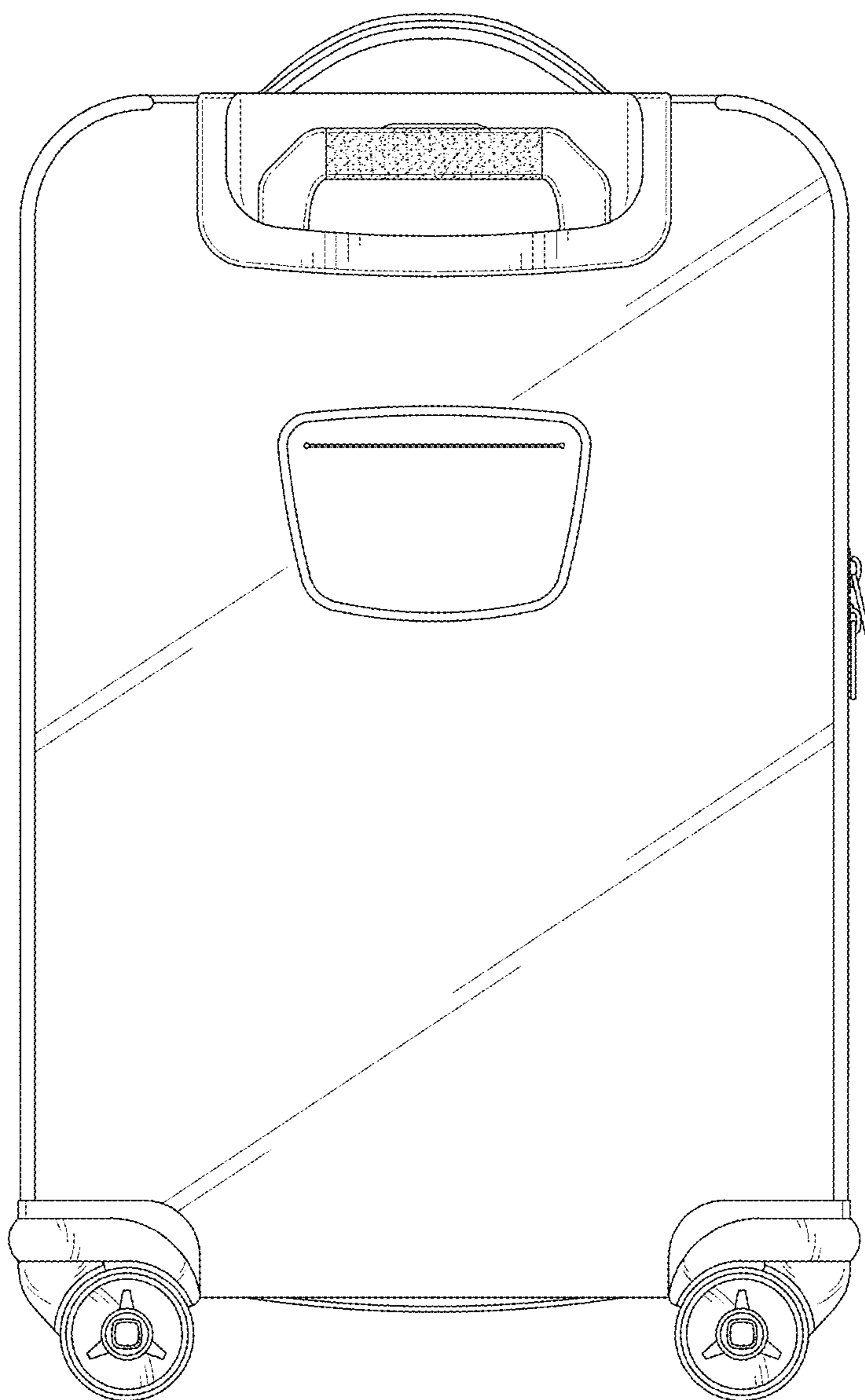


FIG. 3

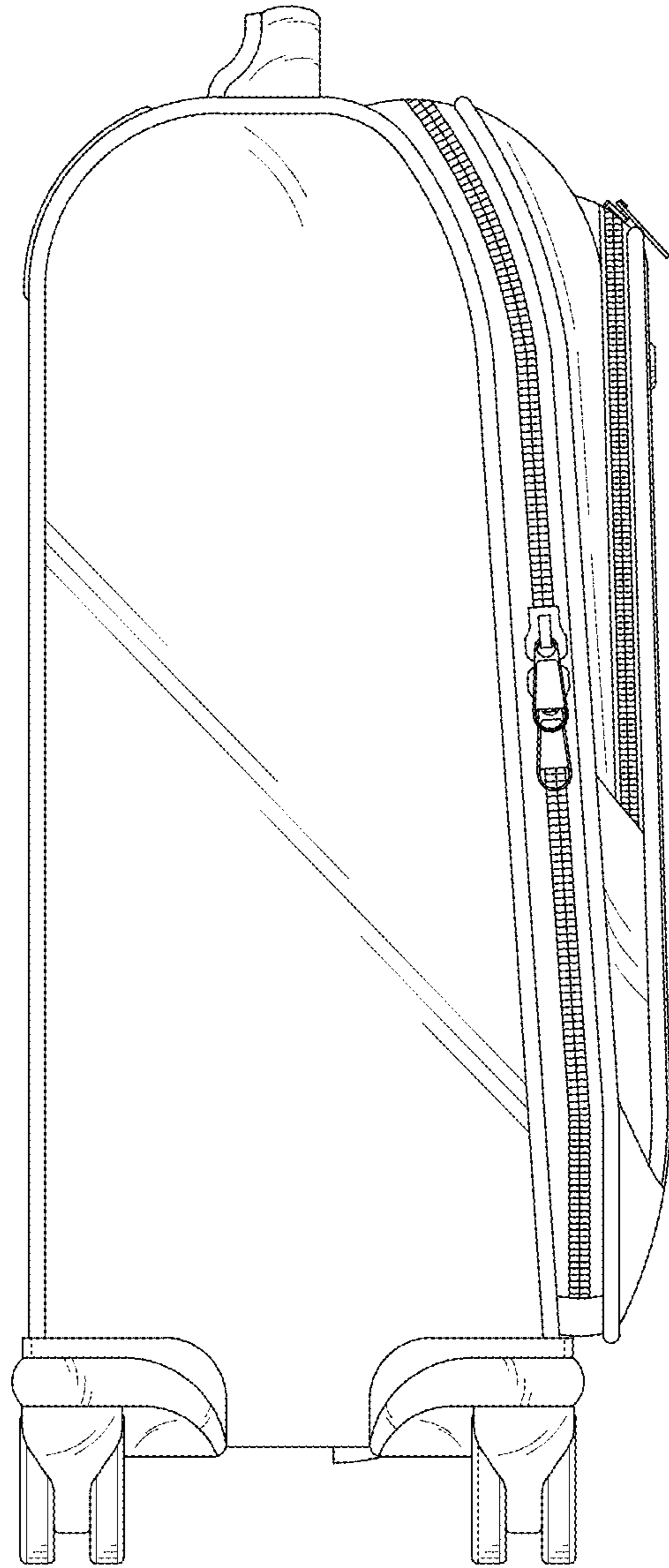


FIG. 4

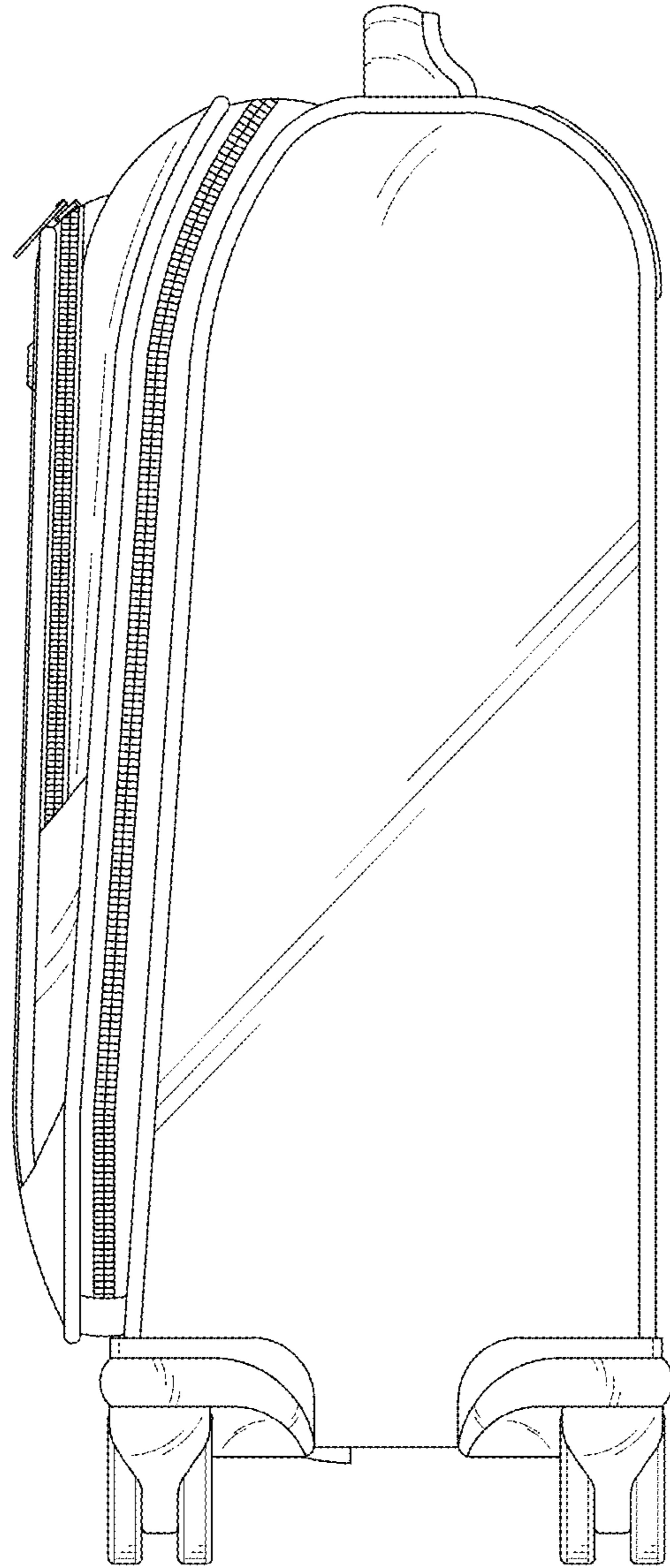


FIG. 5

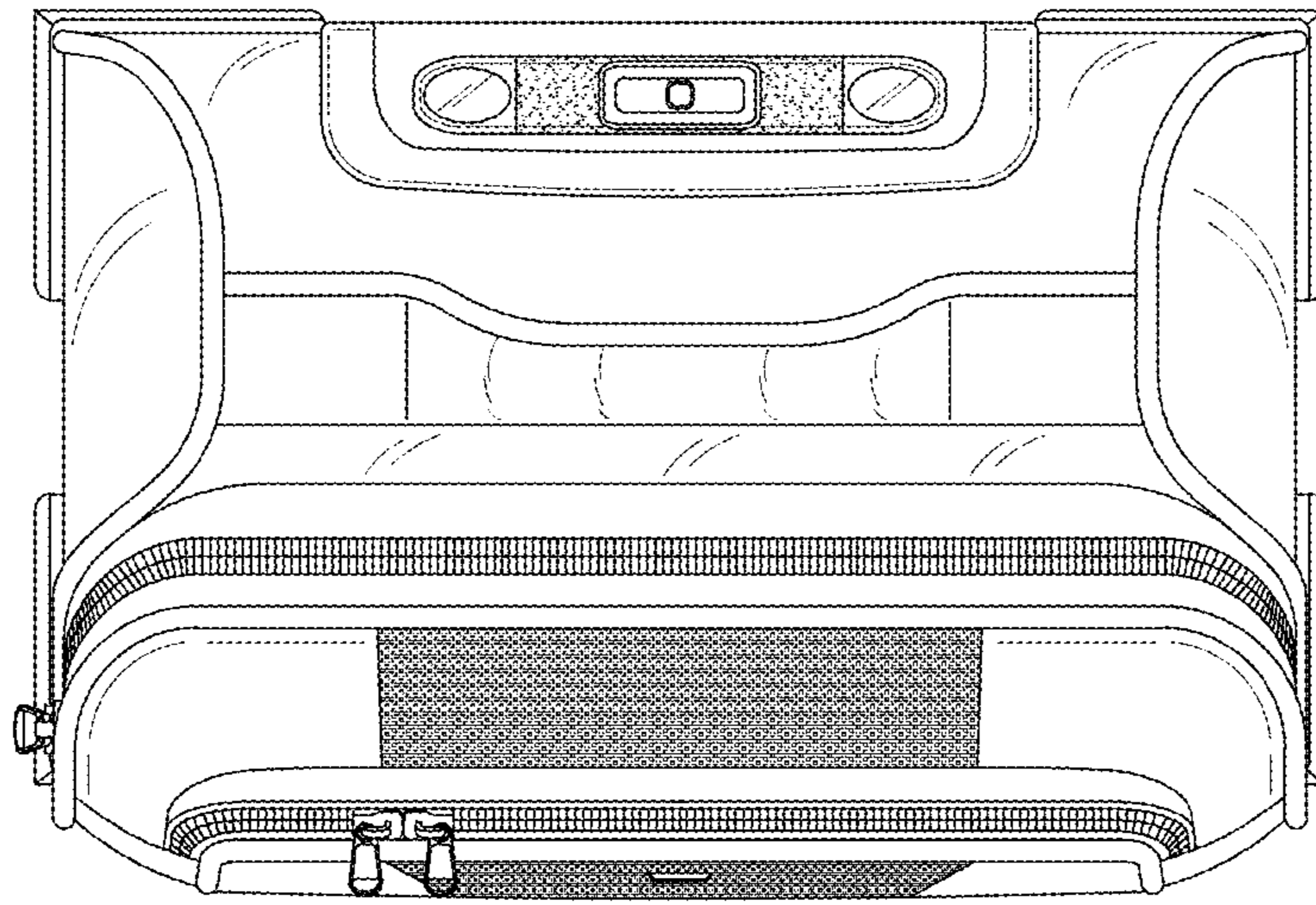


FIG. 6

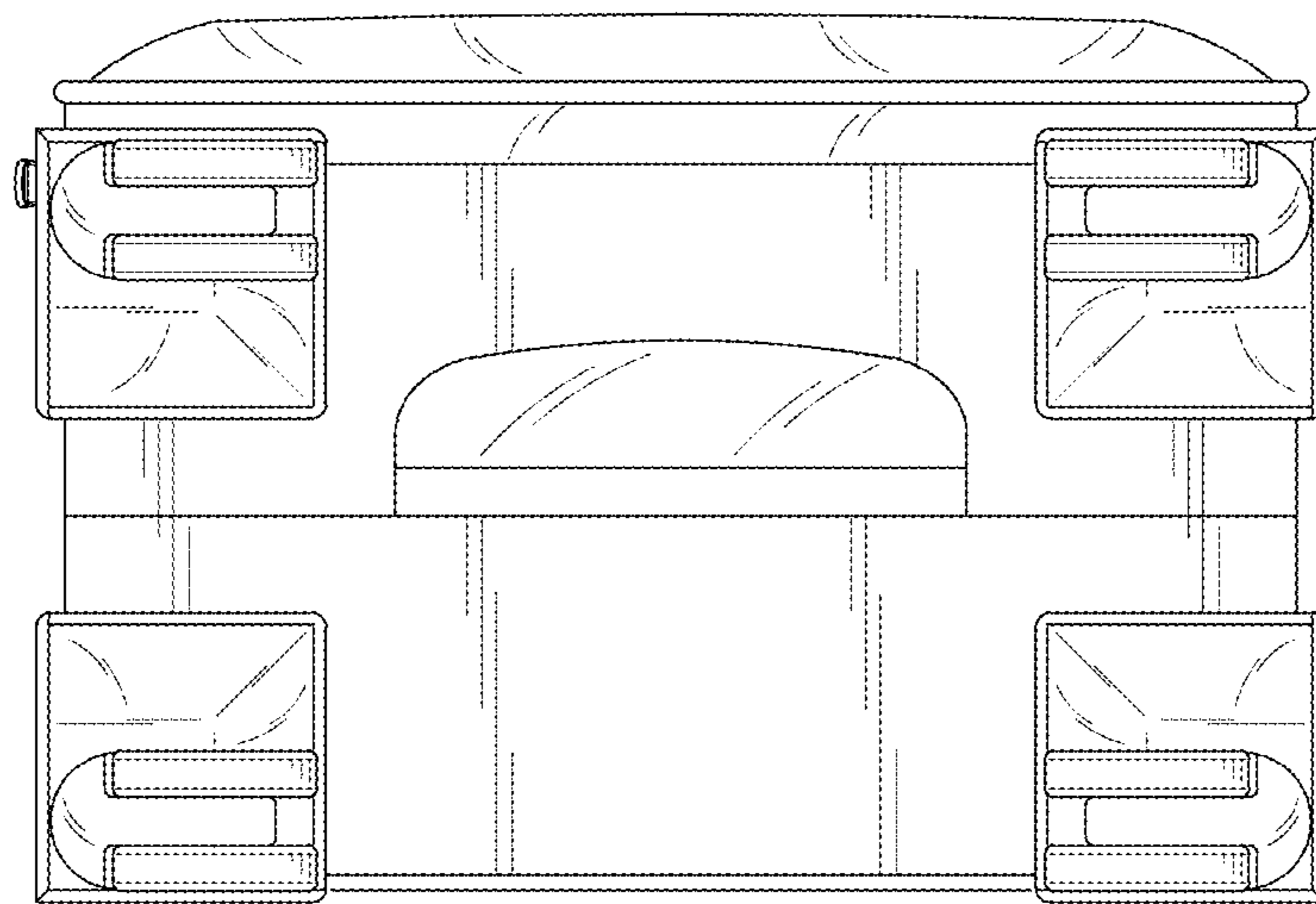


FIG. 7