



US00D809293S

(12) **United States Design Patent** (10) **Patent No.:** **US D809,293 S**
Virassamy et al. (45) **Date of Patent:** **** *Feb. 6, 2018**

(54) **SUITCASE**
(71) Applicant: **DELSEY**, Tremblay en France (FR)
(72) Inventors: **Steeve Virassamy**, Paris (FR); **Xavier Ynna**, Paris (FR)
(73) Assignee: **DELSEY**, Tremblay (FR)
(*) Notice: This patent is subject to a terminal disclaimer.
(**) Term: **14 Years**

(21) Appl. No.: **29/482,275**
(22) Filed: **Feb. 17, 2014**

(30) **Foreign Application Priority Data**
Sep. 23, 2013 (FR) 002314088-0002
(51) **LOC (11) Cl.** **03-01**
(52) **U.S. Cl.**
USPC **D3/279**
(58) **Field of Classification Search**
USPC D3/273, 276, 279, 289, 301, 283, 272,
D3/278, 274, 281, 321, 902, 292;
190/18 A, 100-127; 206/286-287.1
CPC A45C 7/00; A45C 5/14; A45C 13/28
See application file for complete search history.

(56) **References Cited**
U.S. PATENT DOCUMENTS
D373,246 S * 9/1996 Stokes et al. D3/279
D375,199 S * 11/1996 Stokes et al. D3/279
D383,905 S * 9/1997 Stokes et al. D3/279
5,943,936 A * 8/1999 Deliman et al. 190/115

D422,409 S * 4/2000 Klenner et al. D3/279
D428,698 S * 8/2000 Cheng D3/279
D438,005 S * 2/2001 Tiramani et al. D3/279
D462,169 S * 9/2002 Giovanni D3/279
D525,031 S * 7/2006 Miles et al. D3/279
D603,163 S * 11/2009 Van Himbeeck D3/279
7,832,533 B2 * 11/2010 Selvi 190/124
D666,414 S * 9/2012 Giovannoni D3/279
D677,050 S * 3/2013 Saba et al. D3/276
D714,057 S * 9/2014 Hou D3/279
2014/0238801 A1 * 8/2014 Lai 190/105
2014/0284157 A1 * 9/2014 Sheikh 190/103
2014/0299430 A1 * 10/2014 Tseng et al. 190/107

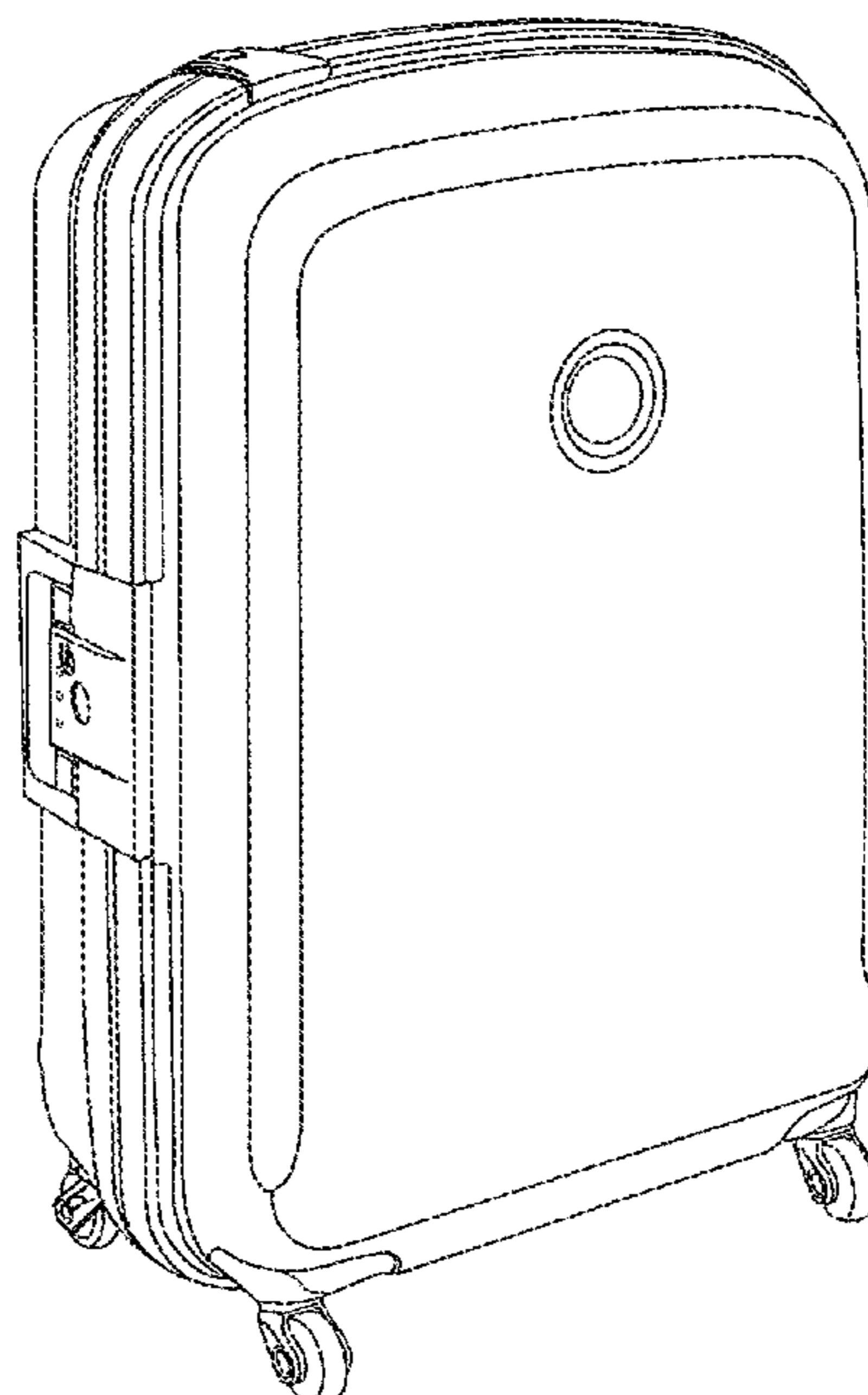
* cited by examiner

Primary Examiner — Jennifer Rivard
Assistant Examiner — April Rivas
(74) *Attorney, Agent, or Firm* — Sofer & Haroun, LLP

(57) **CLAIM**
We claim the ornamental design for a suitcase, as shown and described.

DESCRIPTION
FIG. 1 is a perspective view of the suitcase;
FIG. 2 is a front view of the suitcase as shown in FIG. 1;
FIG. 3 is a left side view of the suitcase as shown in FIG. 1;
FIG. 4 is a right side view of the suitcase as shown in FIG. 1;
FIG. 5 is a top view of the suitcase as shown in FIG. 1;
FIG. 6 is a bottom view of the suitcase as shown in FIG. 1;
and,
FIG. 7 is a back view of the suitcase in accordance with the present invention.
The dotted lines shown in FIGS. 1 and 3 do not form part of the claimed design.

1 Claim, 7 Drawing Sheets



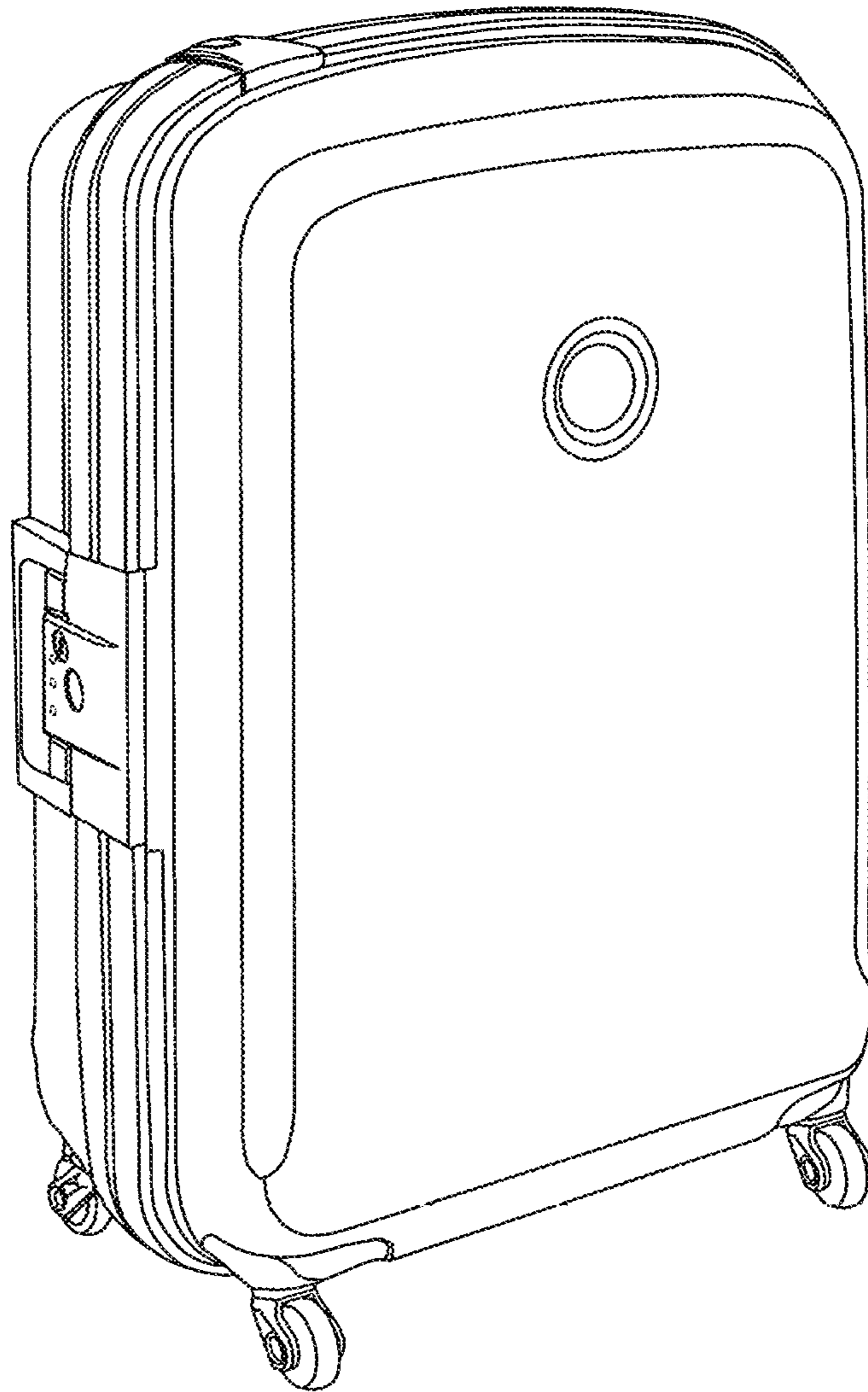


FIG. 1

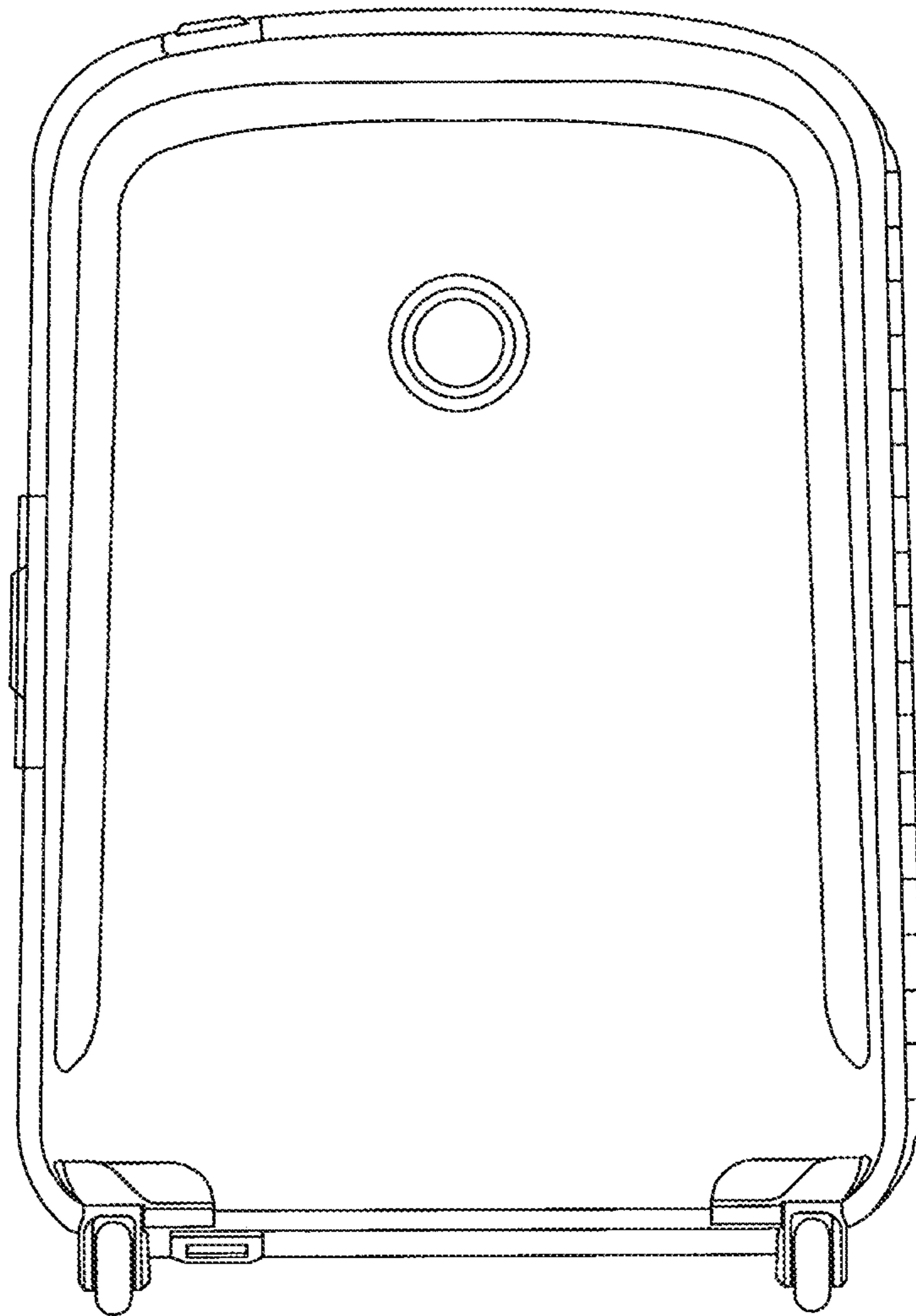


FIG. 2

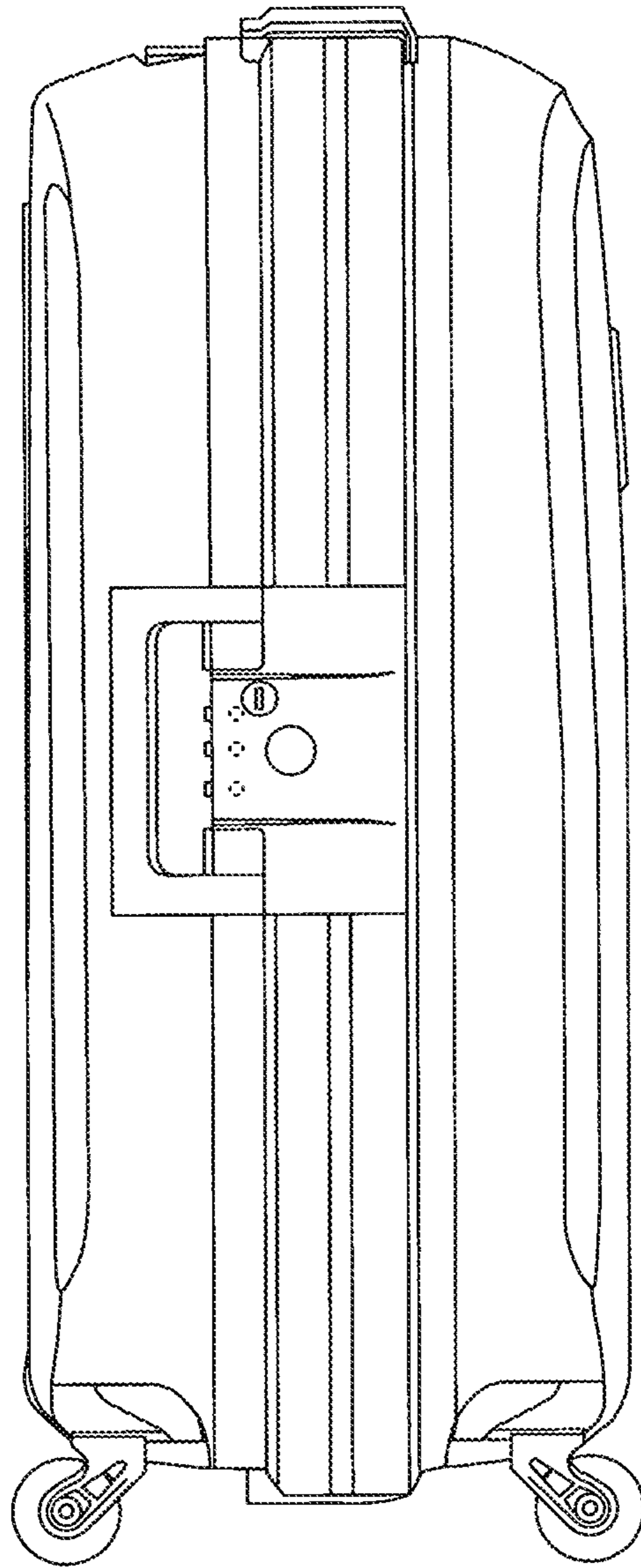


FIG. 3

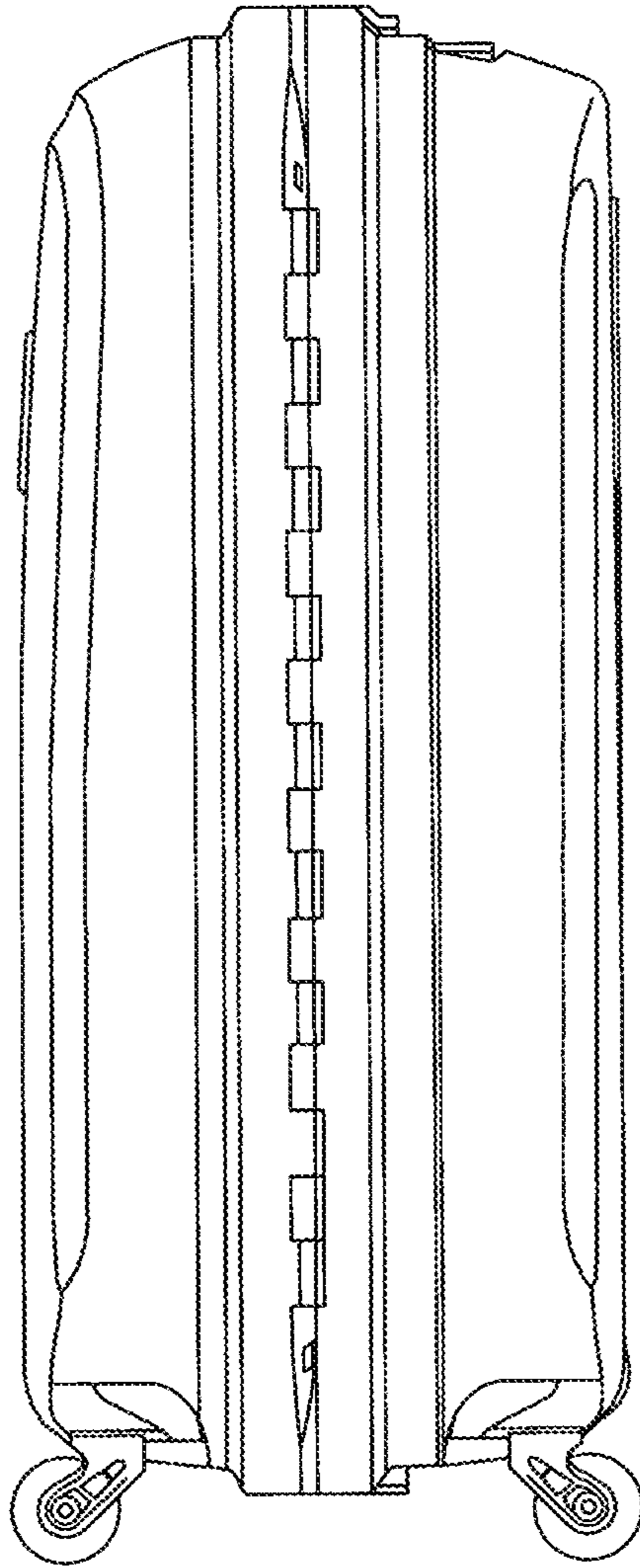


FIG. 4

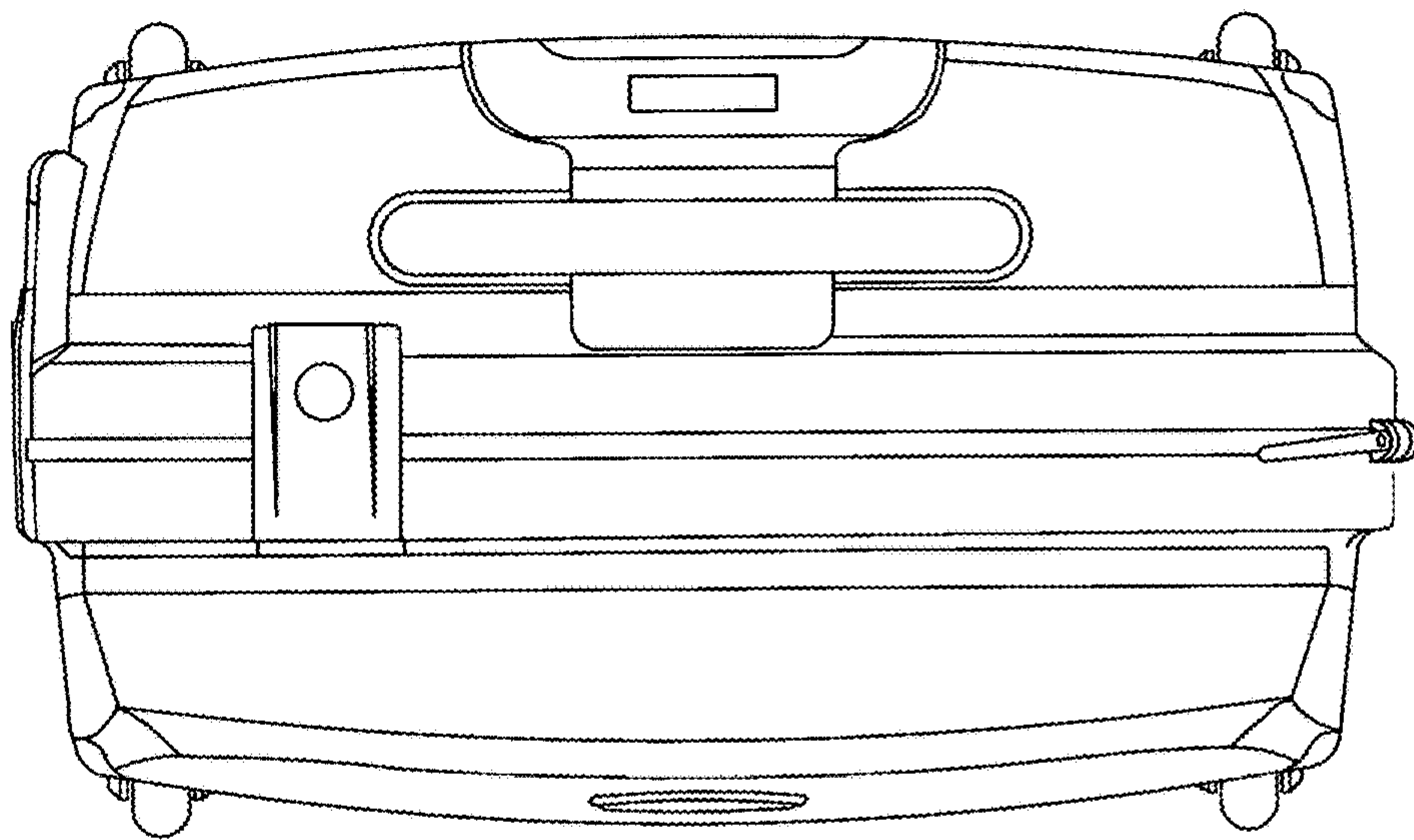


FIG. 5

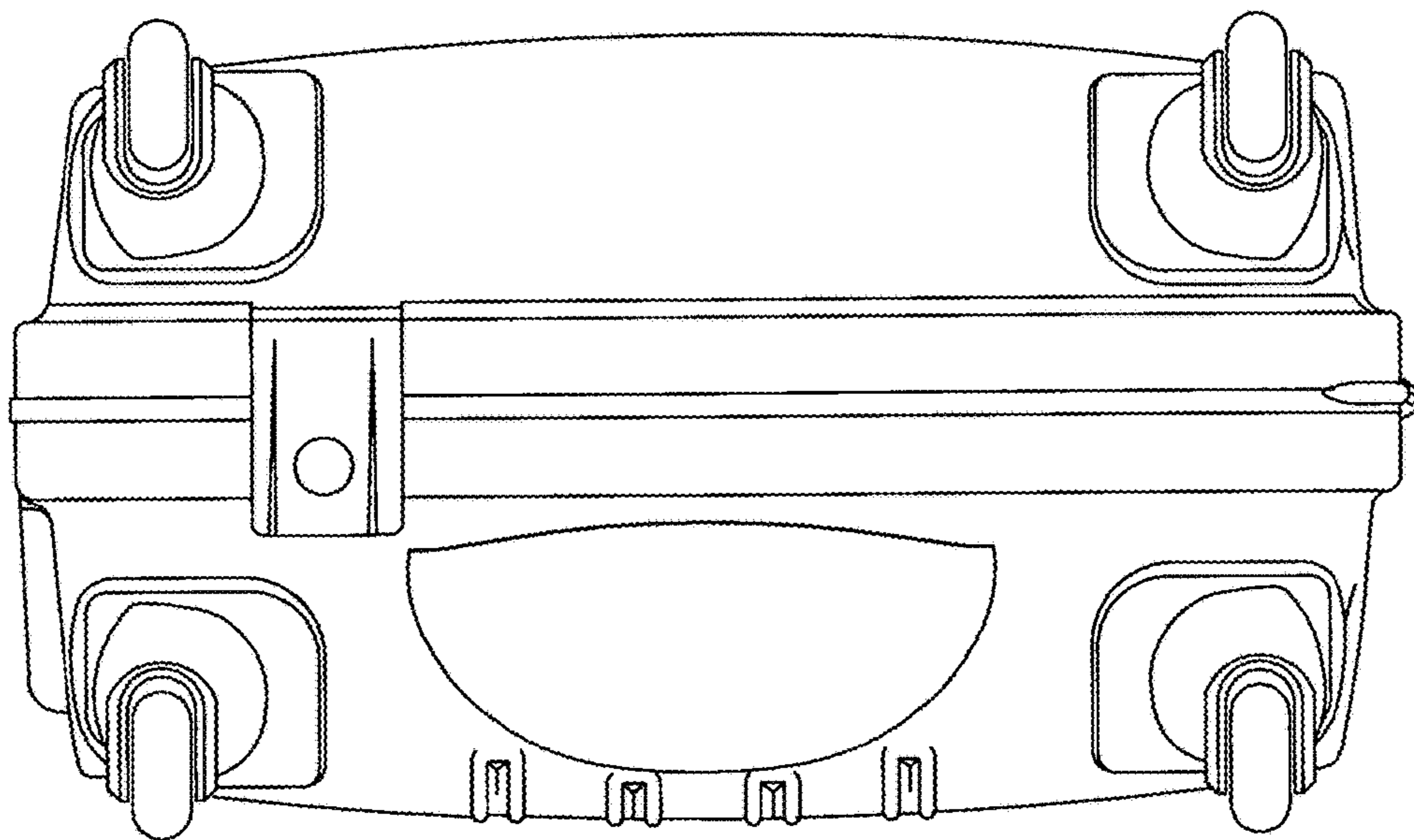


FIG. 6

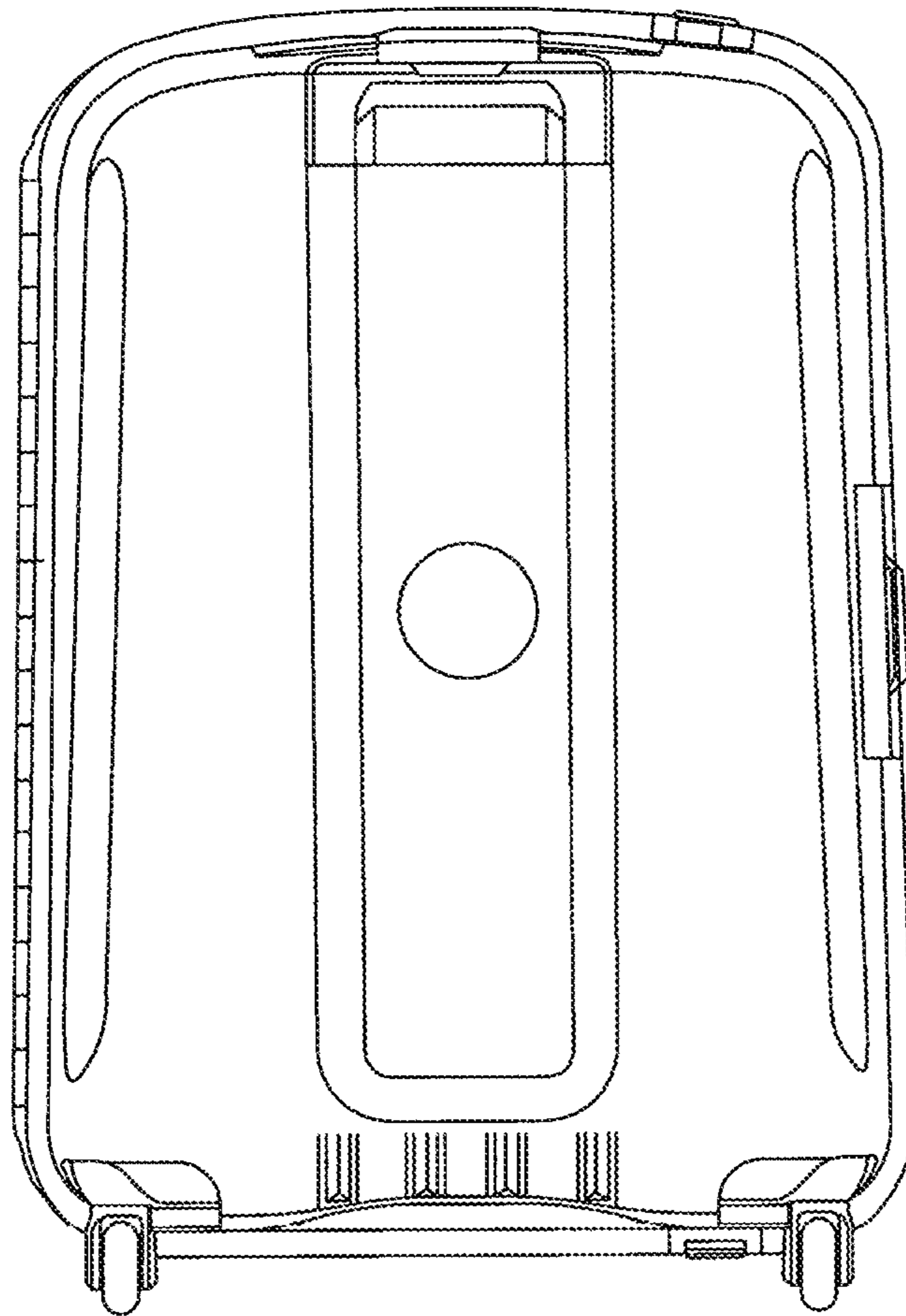


FIG. 7