



US00D809291S

(12) **United States Design Patent**
Lala

(10) **Patent No.:** **US D809,291 S**

(45) **Date of Patent:** **** Feb. 6, 2018**

- (54) **CONTACT LENS CASE**
- (71) Applicant: **Fauzia Lala**, Redmond, WA (US)
- (72) Inventor: **Fauzia Lala**, Redmond, WA (US)
- (**) Term: **15 Years**
- (21) Appl. No.: **29/567,891**
- (22) Filed: **Jun. 13, 2016**
- (51) **LOC (11) Cl.** **03-01**
- (52) **U.S. Cl.**
USPC **D3/264**
- (58) **Field of Classification Search**
USPC D3/219, 252, 263, 264, 265; 206/5, 5.1,
206/6
CPC A45C 11/04; A45C 11/005
See application file for complete search history.

- 2005/0194267 A1* 9/2005 Lam A45C 11/04
206/5
- 2012/0140163 A1* 6/2012 Hogan A45C 11/04
351/63
- 2015/0129437 A1* 5/2015 Clamp A45C 11/005
206/5.1

* cited by examiner

Primary Examiner — T. Chase Nelson
(74) *Attorney, Agent, or Firm* — Seattle Patent Group
LLC; James Haugen

(57) **CLAIM**

The ornamental design for a contact lens case, as shown and described.

DESCRIPTION

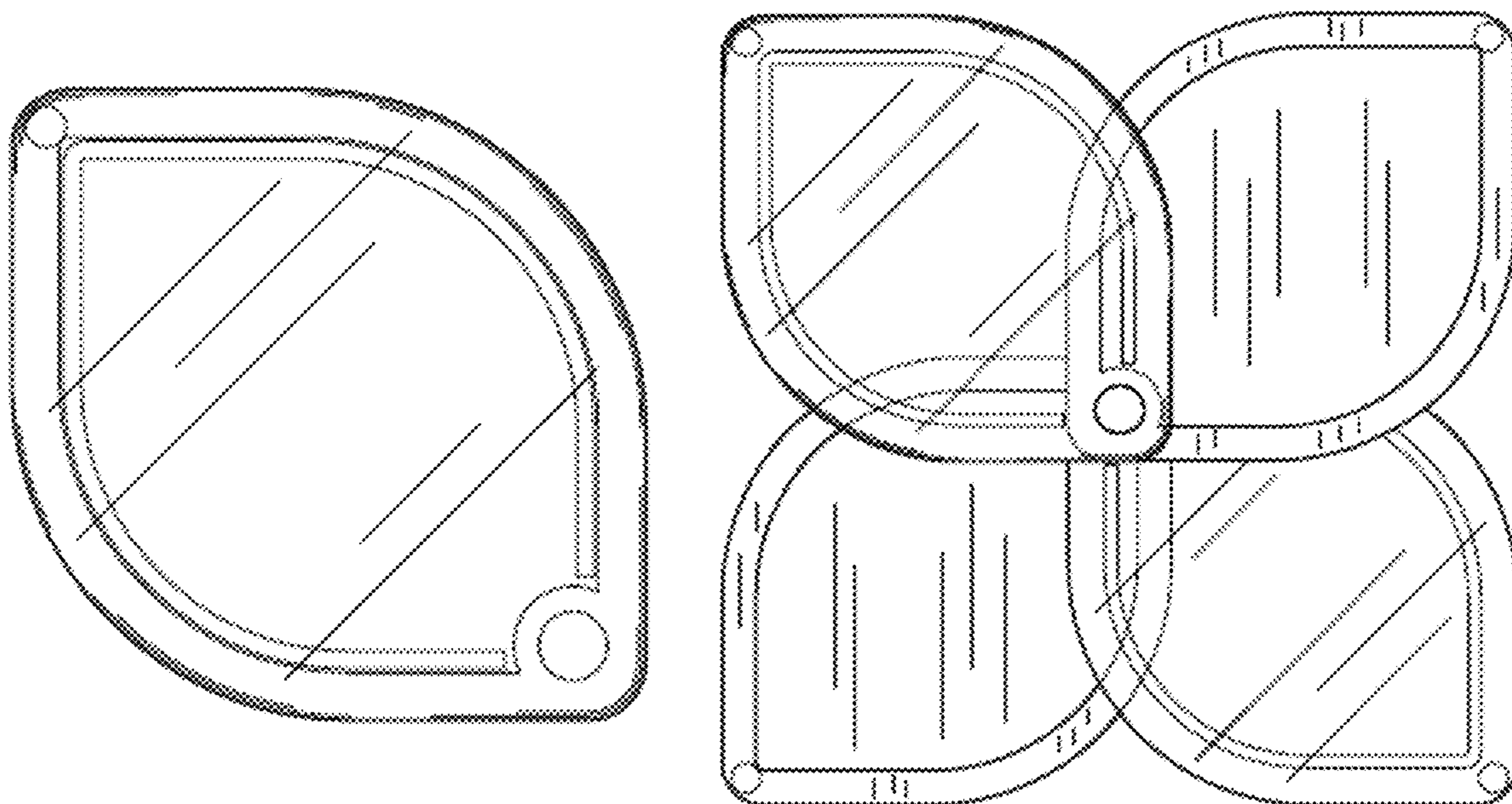
FIG. 1 is a top view of a contact lens case, according to my design.
 FIG. 2 is a front view thereof.
 FIG. 3 is a side view thereof.
 FIG. 4 is a top view of the contact lens case opened, showing two compartments and covers corresponding to each compartment.
 FIG. 5 is a side view of the contact lens case open.
 FIG. 6 is a side view of the contact lens case shown with the two compartments swiveled apart, but with their individual covers closed.
 FIG. 7 is a top perspective view of the contact lens case in the closed configuration shown in the FIG. 1 through 3 views; and,
 FIG. 8 is a top perspective view thereof, with two compartments swiveled apart.

(56) **References Cited**

U.S. PATENT DOCUMENTS

- D357,805 S * 5/1995 Abrams D3/264
- D358,025 S * 5/1995 Martin D3/264
- 6,007,771 A * 12/1999 Rehmeier A61L 12/02
134/901
- D472,377 S * 4/2003 Tabacchi A45C 11/04
D3/263
- D617,554 S * 6/2010 Raile D3/263
- D623,407 S * 9/2010 Raile D3/263
- D660,590 S * 5/2012 Seidel D3/264
- D695,014 S * 12/2013 Mori D3/264
- D755,516 S * 5/2016 Krenkler D3/264
- D762,064 S * 7/2016 Garavaglia D3/264
- 2004/0238380 A1* 12/2004 Newman A45C 11/005
206/5.1

1 Claim, 8 Drawing Sheets



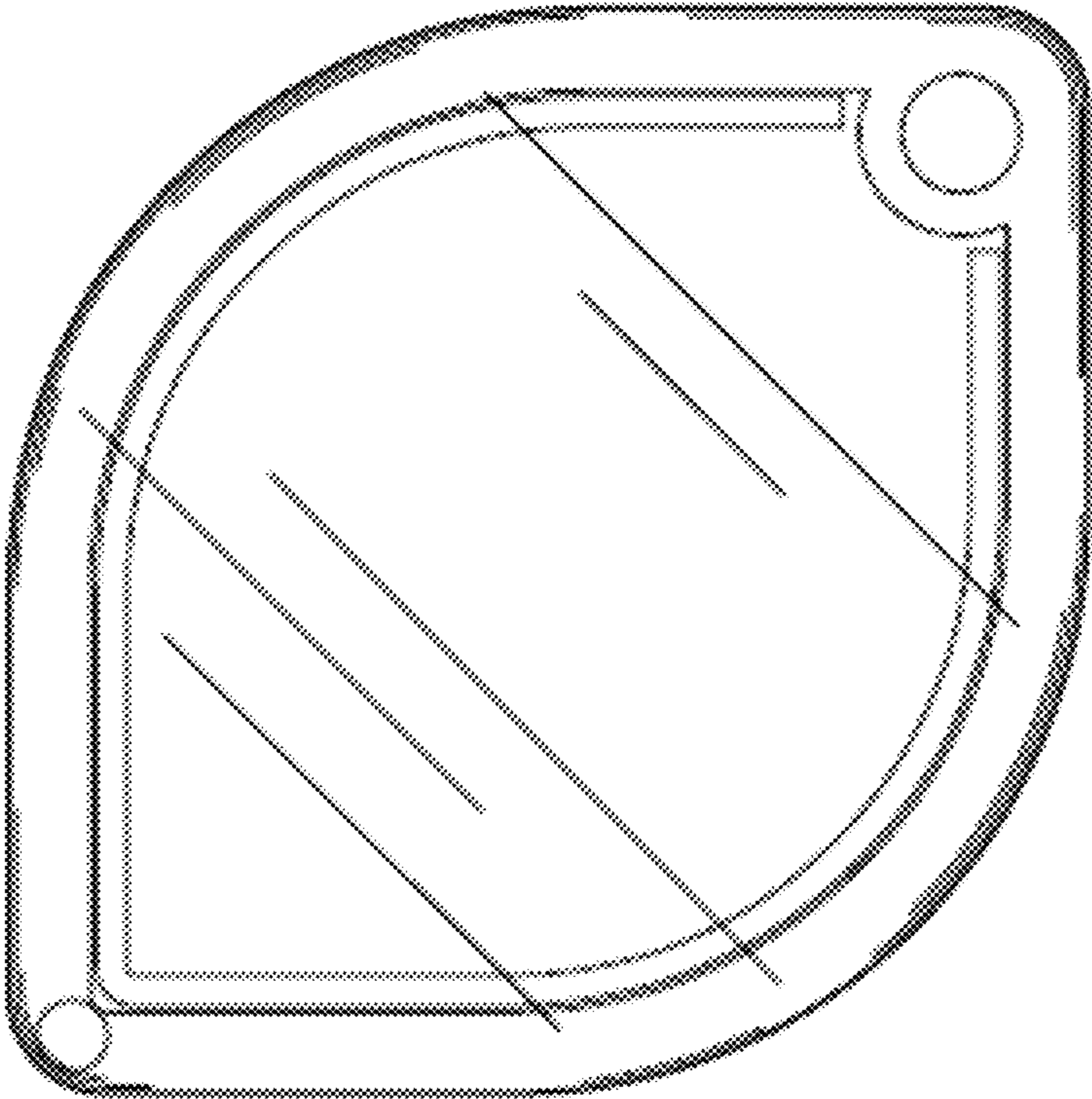


Figure 1

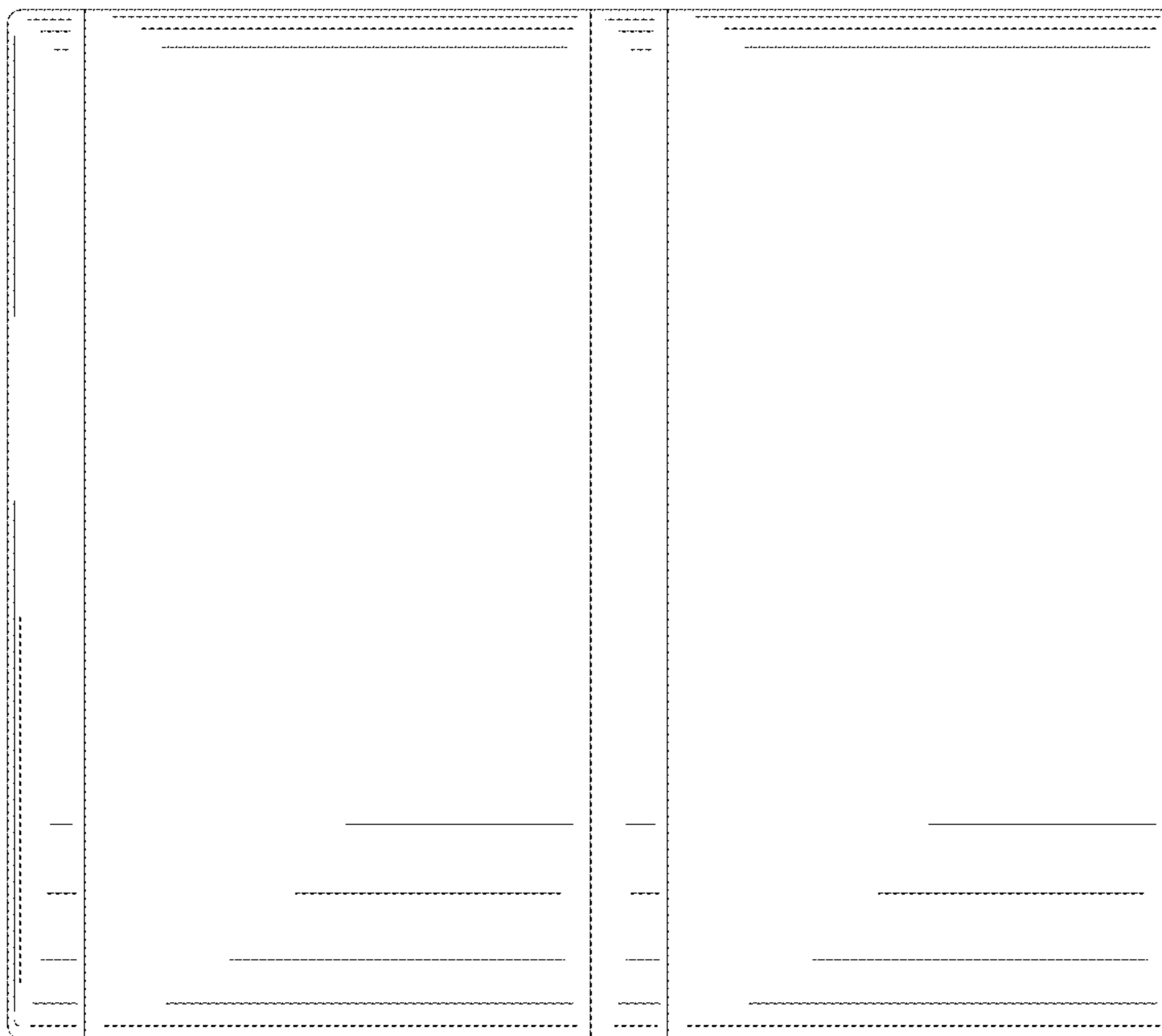


Figure 2

Figure 3

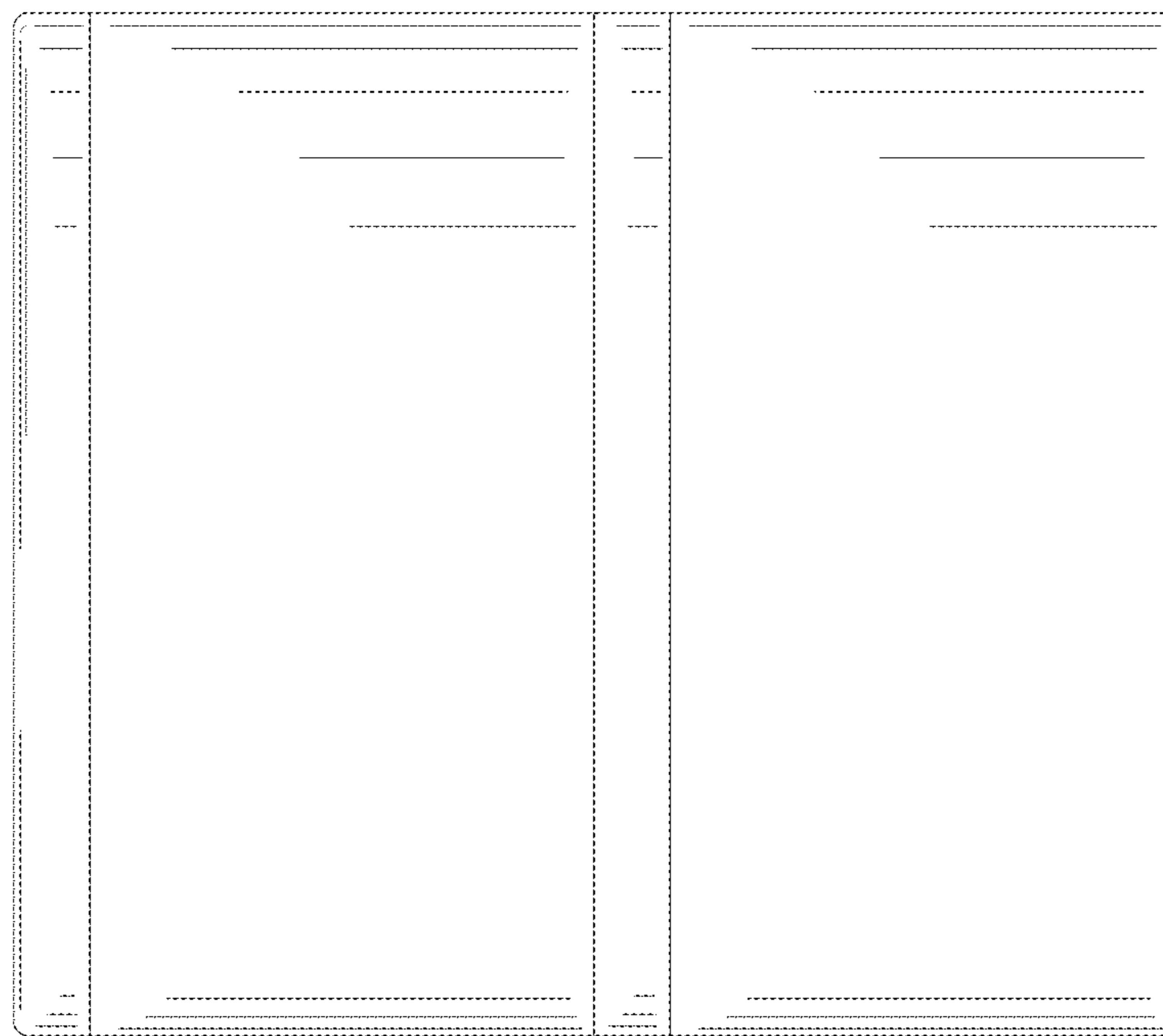
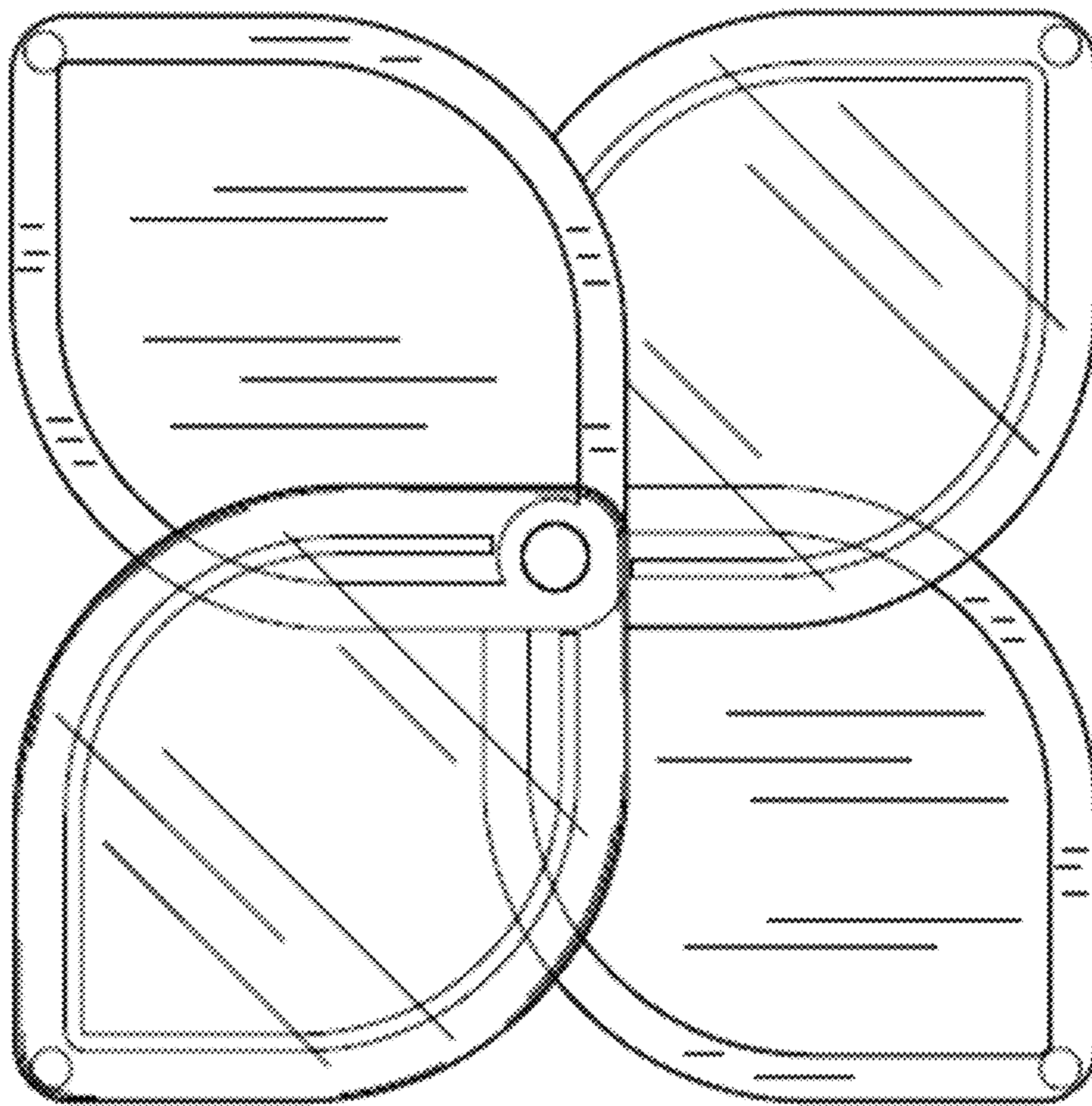


Figure 4



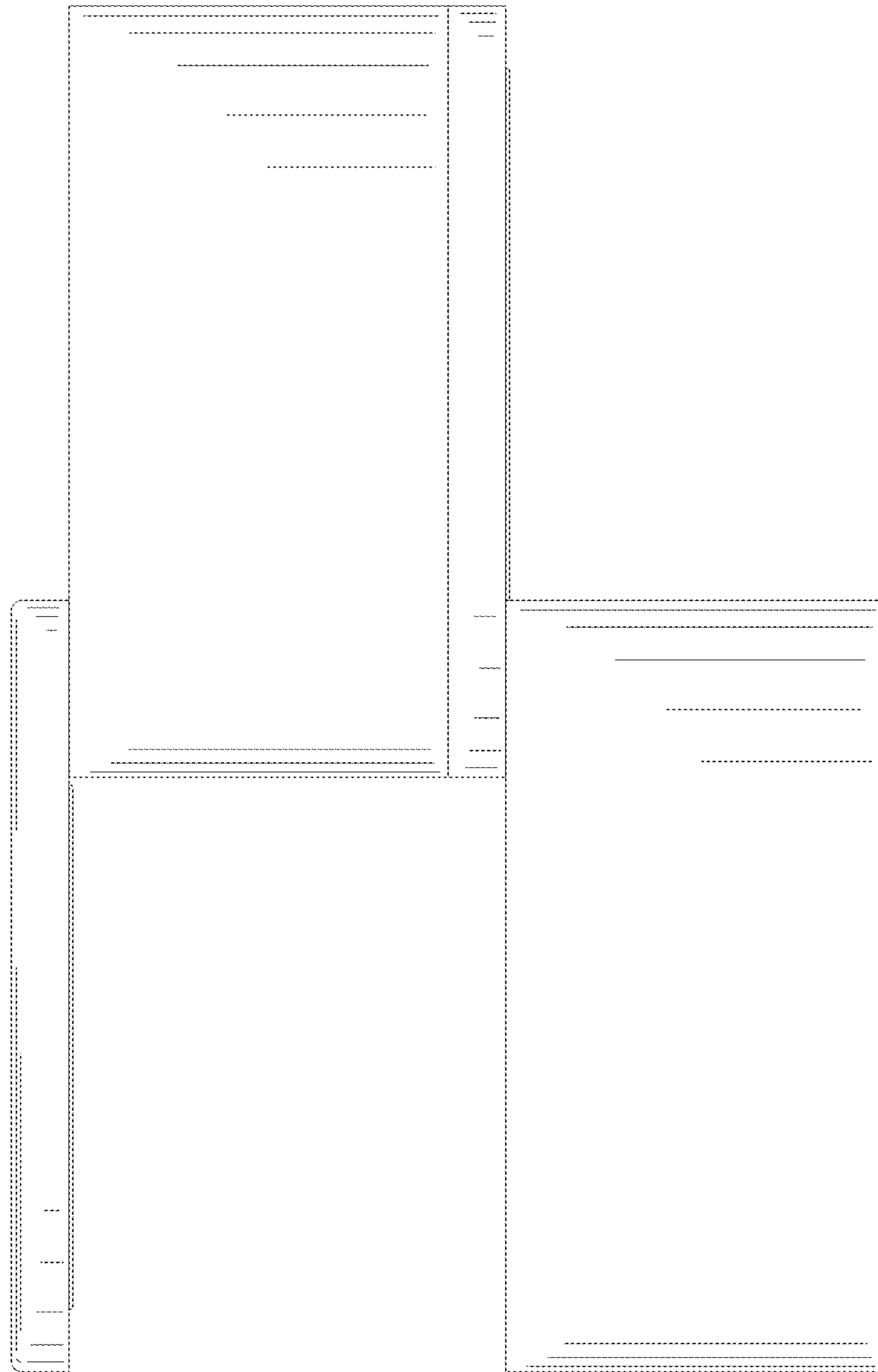
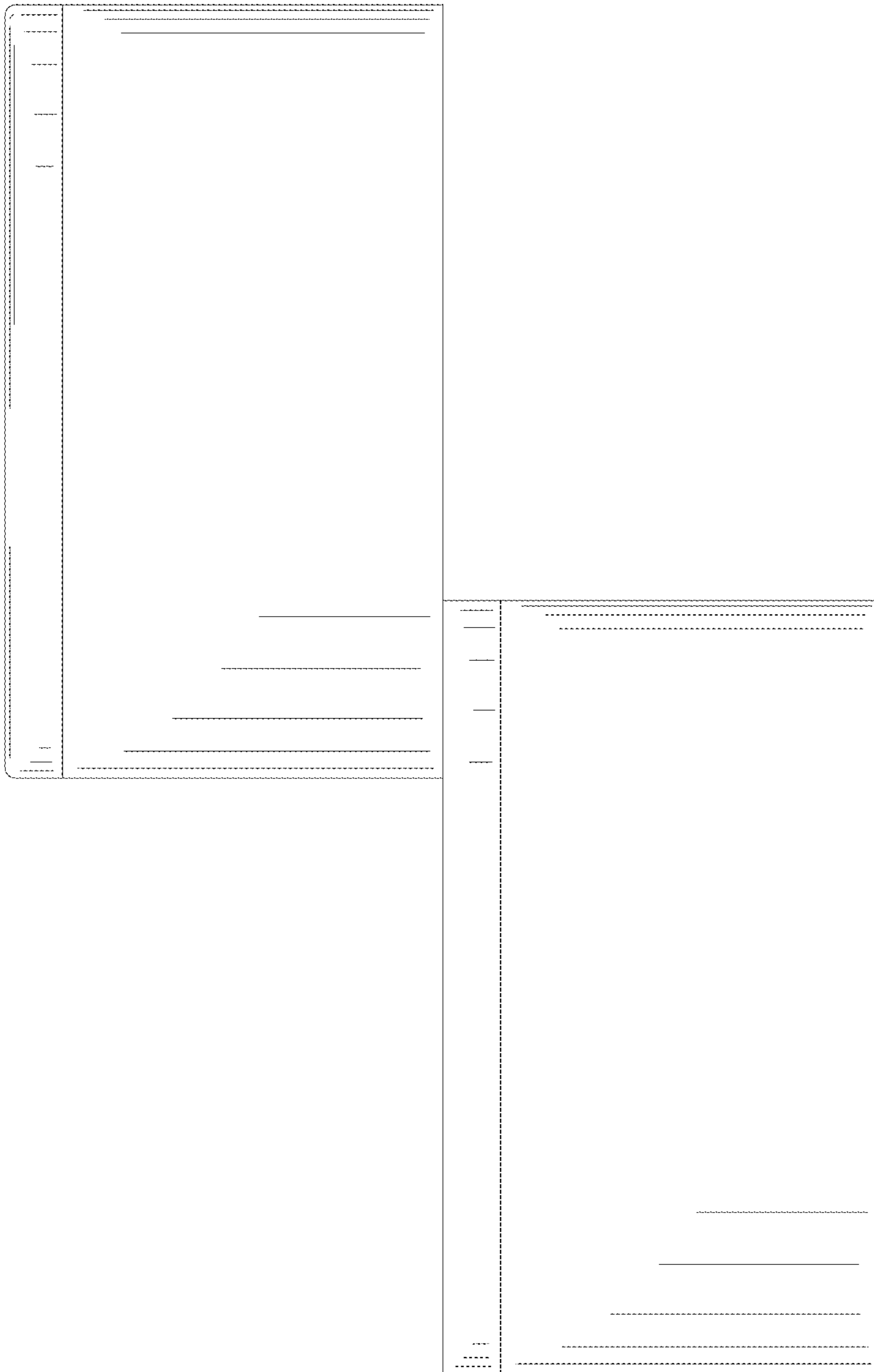


Figure 5

Figure 6



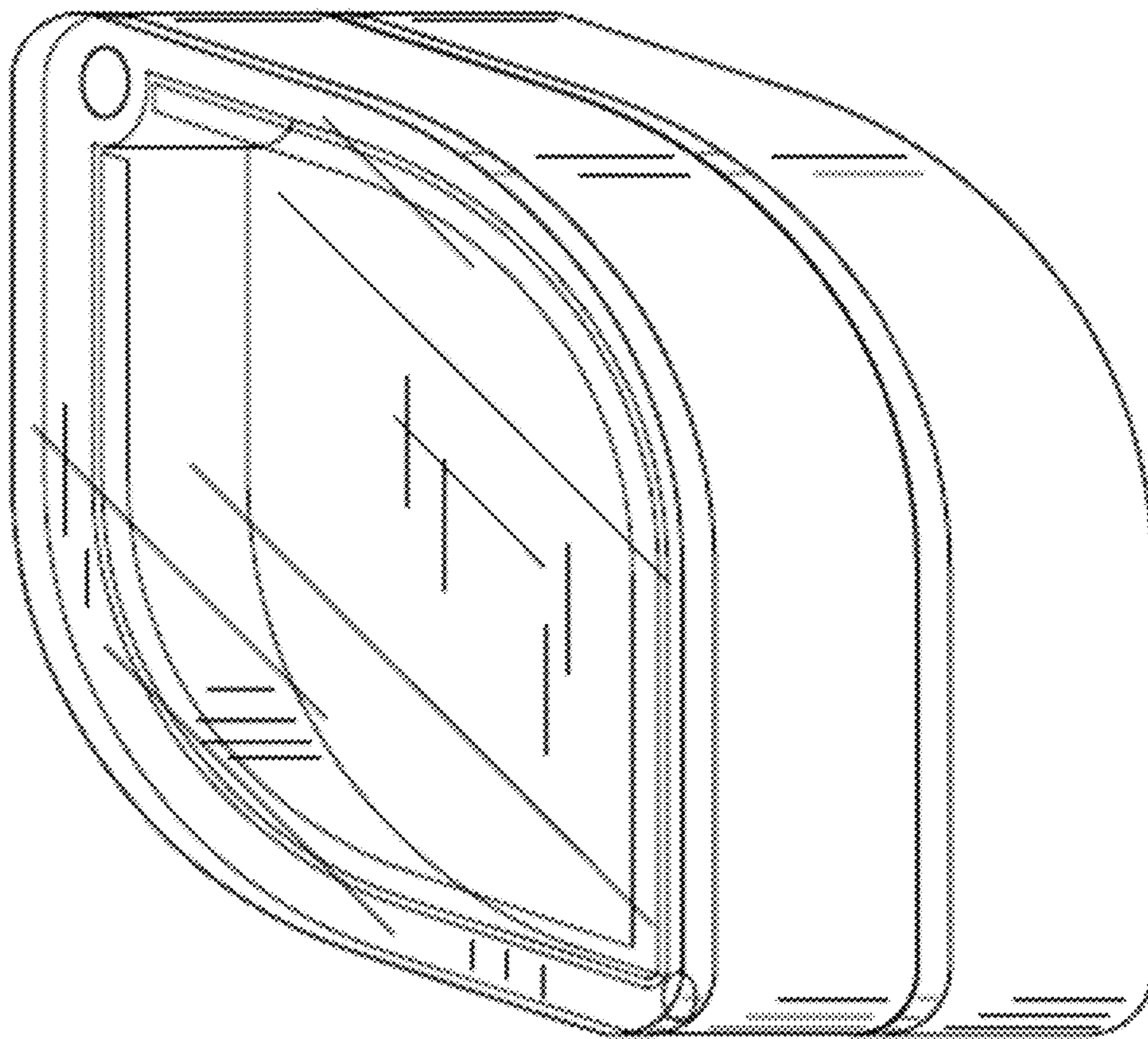


Figure 7

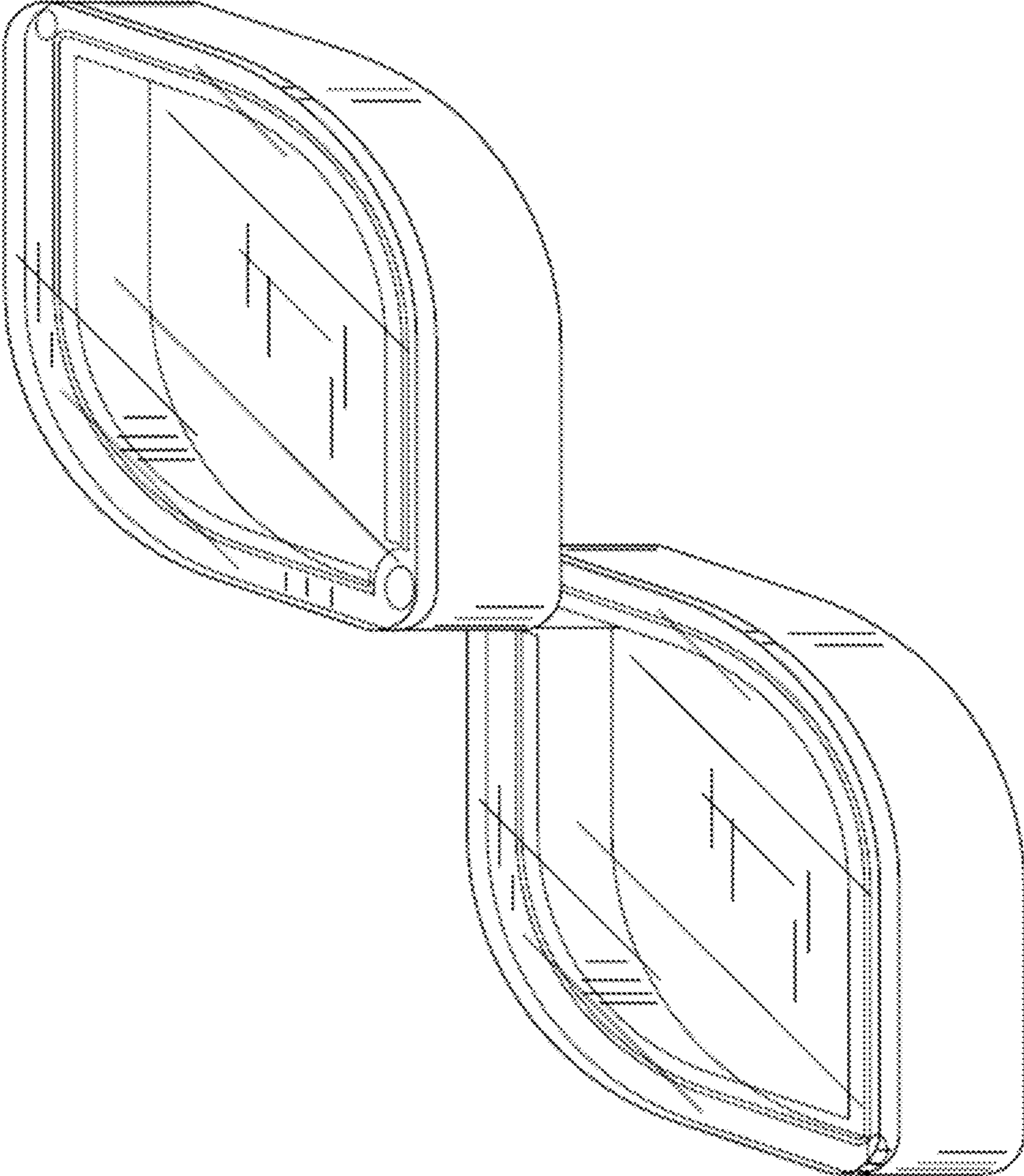


Figure 8