



US00D809287S

(12) **United States Design Patent**
Wei

(10) **Patent No.:** **US D809,287 S**

(45) **Date of Patent:** **** Feb. 6, 2018**

(54) **FASTENER FOR CLIPPING AND HOLDING
A PHONE TERMINAL**

D675,014 S * 1/2013 Adelman D3/218
D768,121 S * 10/2016 Ormsbee D14/250
D773,449 S * 12/2016 Mellano D14/253

(71) Applicant: **Jinshou Wei**, Shenzhen (CN)

* cited by examiner

(72) Inventor: **Jinshou Wei**, Shenzhen (CN)

Primary Examiner — Catherine R Oliver-Garcia

(**) Term: **15 Years**

(74) *Attorney, Agent, or Firm* — Hemisphere Law, PLLC

(21) Appl. No.: **29/569,327**

(57) **CLAIM**

(22) Filed: **Jun. 27, 2016**

I claim the ornamental design for a fastener for clipping and holding a phone terminal, as shown and described.

(30) **Foreign Application Priority Data**

DESCRIPTION

Dec. 30, 2015 (CN) 2015 3 0572745

(51) **LOC (11) Cl.** **03-01**

(52) **U.S. Cl.**
USPC **D3/218**

(58) **Field of Classification Search**
USPC D3/218, 215, 303; 455/575.1–575.8,
455/269; D14/138 AA, 217, 250–253,
D14/447, 451–452, 440; 206/305, 320;
379/429, 433.01, 433.11
CPC ... A45F 5/00; A45F 5/02; A45F 5/021; H04B
1/3888; B60R 11/0258; B60R 11/0252;
B60R 2011/0294; F16M 11/041; F16M
11/02; F16M 11/06; H04M 1/02; A47F
7/022; B62J 11/00

See application file for complete search history.

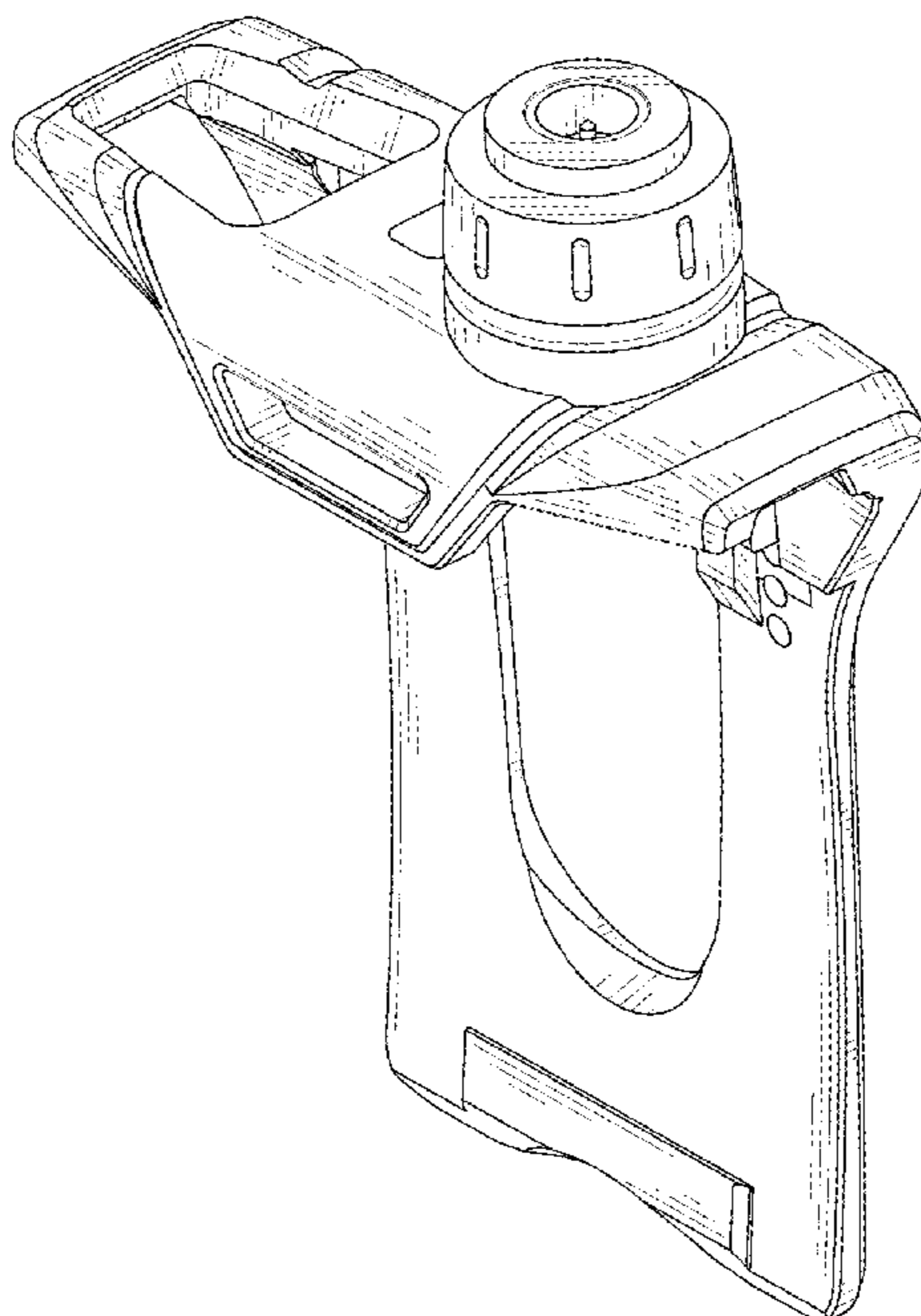
FIG. 1 is a front elevational view of a fastener for clipping and holding a phone terminal showing my new design;
FIG. 2 is cross-section view along line II-II of FIG. 1, showing the contours of the cross-section view;
FIG. 3 is a rear elevational view thereof;
FIG. 4 is a left side elevational view thereof;
FIG. 5 is cross-section view along line V-V of FIG. 4, showing the contours of the cross-section view;
FIG. 6 is a right side elevational view thereof;
FIG. 7 is a top plan view thereof;
FIG. 8 is a bottom plan view thereof;
FIG. 9 is a perspective view thereof;
FIG. 10 is a perspective view of the fastener clipped onto a phone terminal and in use;
FIG. 11 is a perspective view of the fastener with an antenna; and,
FIG. 12 is a perspective view of the fastener clipped onto a phone terminal and in use, further equipped with an antenna. The broken lines are for illustrating unclaimed portions of the fastener for clipping and holding a phone terminal or environmental structures, the broken lines form no part of the claimed design.

(56) **References Cited**

U.S. PATENT DOCUMENTS

D435,541 S * 12/2000 Kataoka D14/217
7,937,127 B1 * 5/2011 Satoh H04B 1/3888
455/269

1 Claim, 12 Drawing Sheets



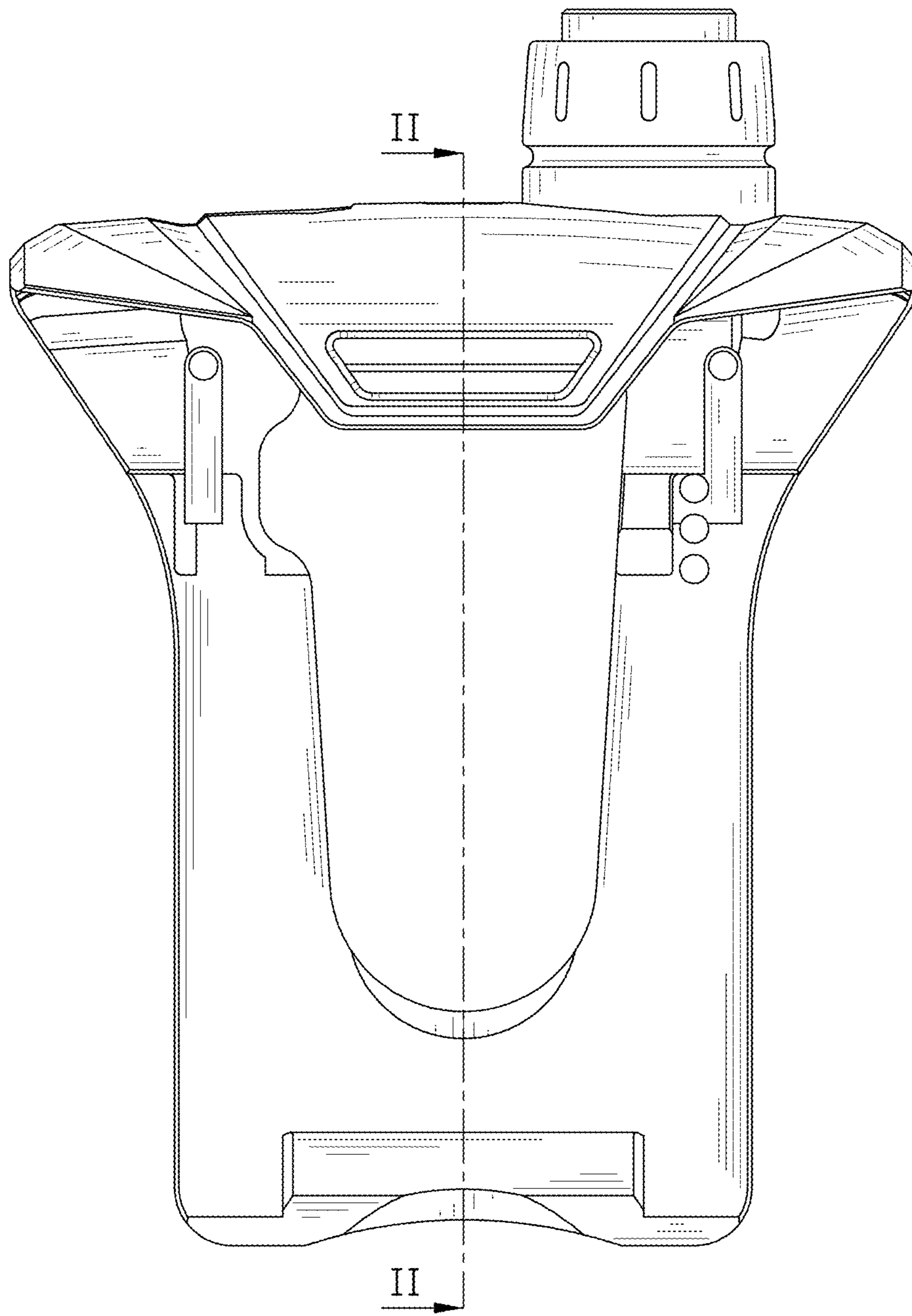


FIG. 1

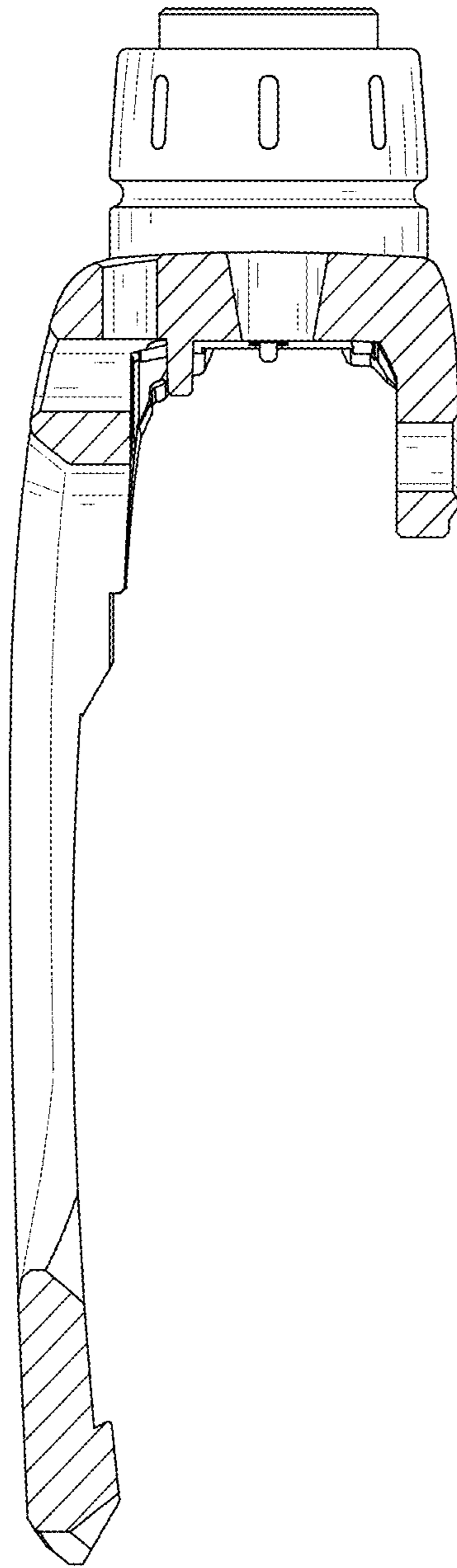


FIG. 2

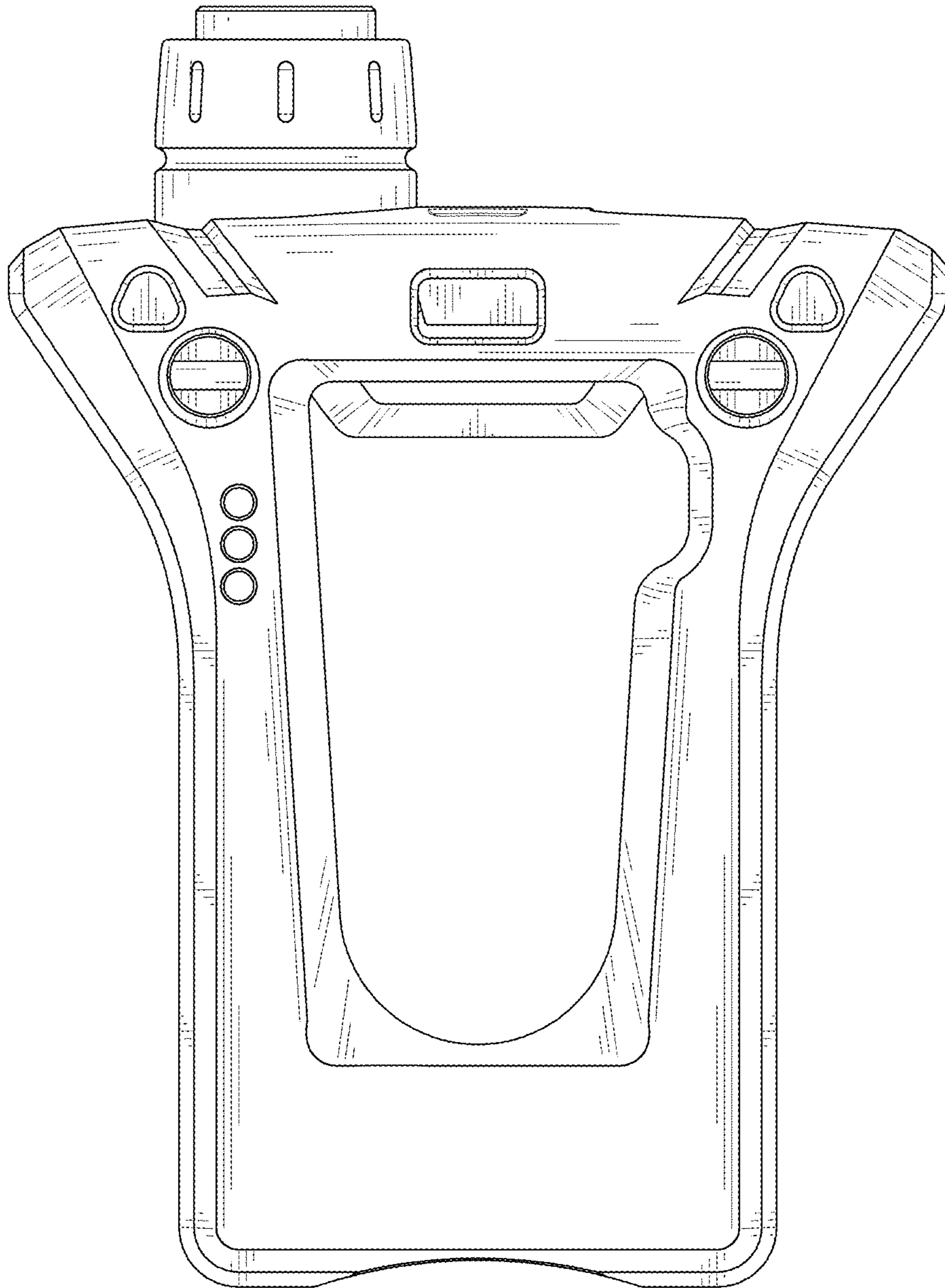


FIG. 3

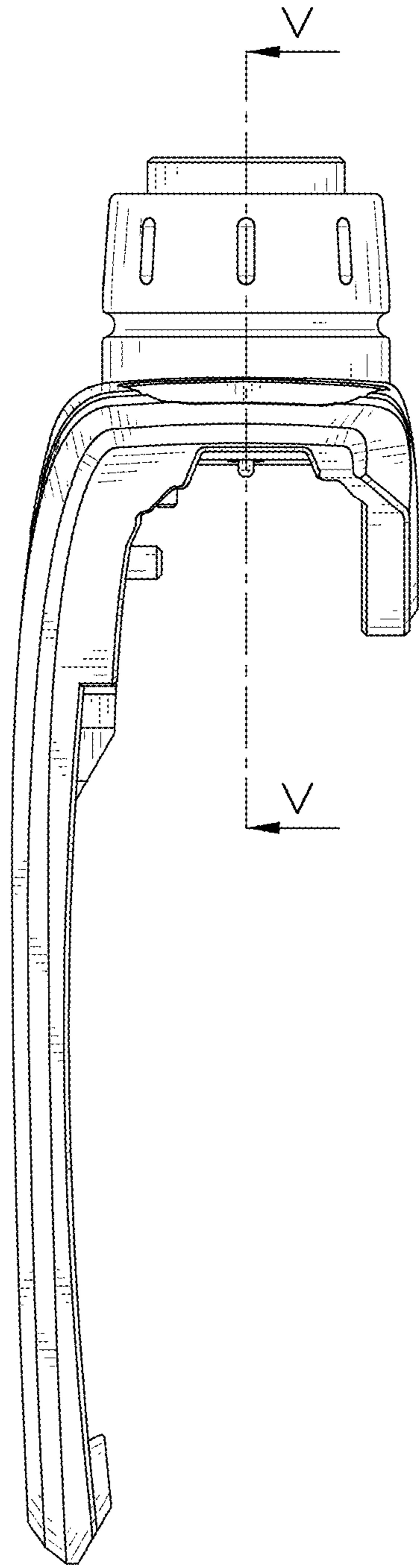


FIG. 4

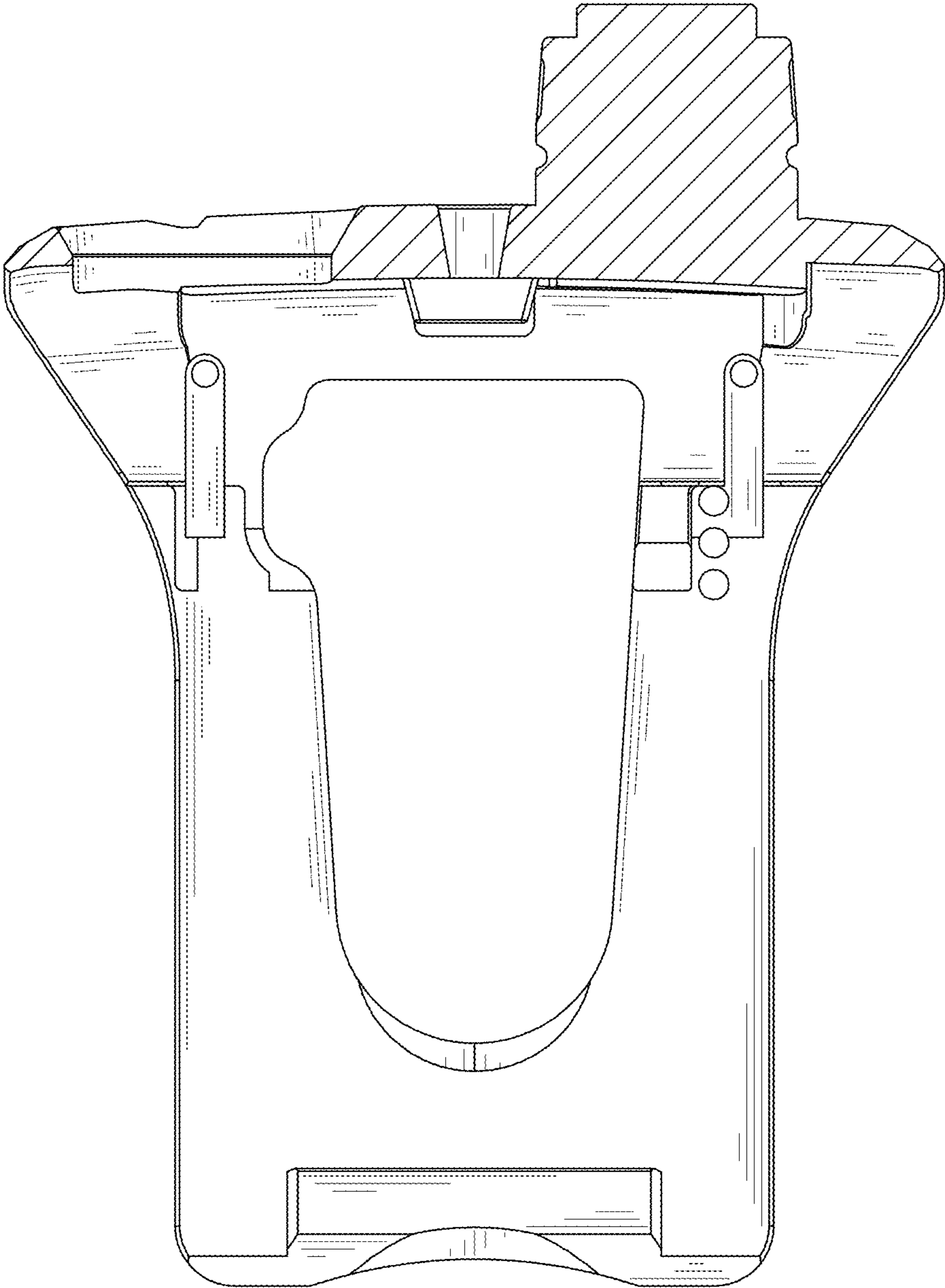


FIG. 5

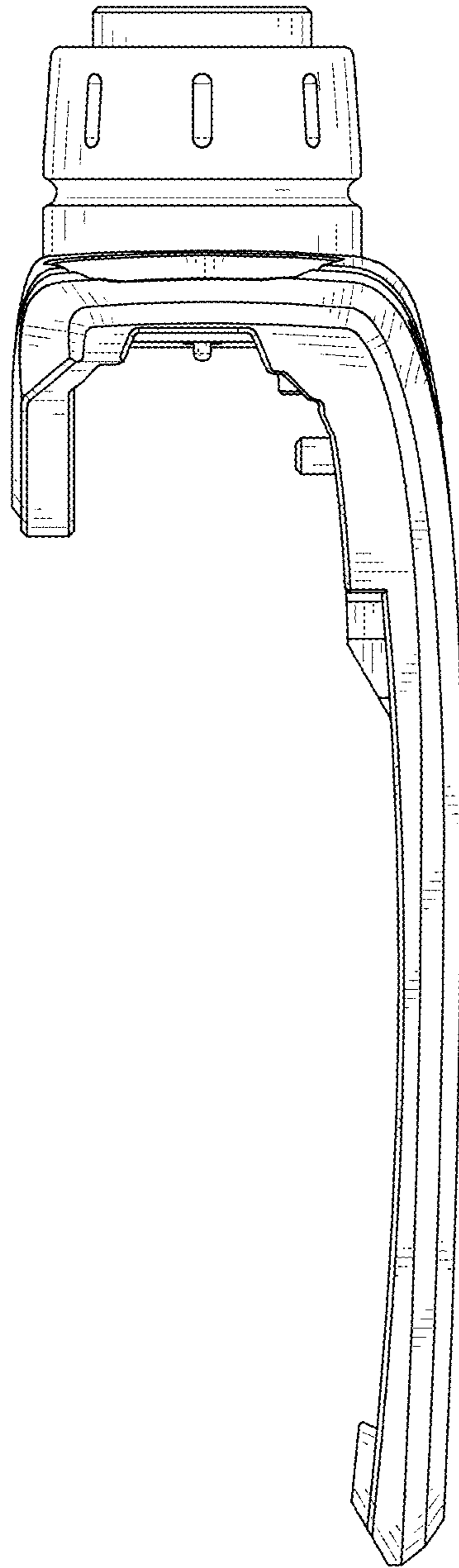


FIG. 6

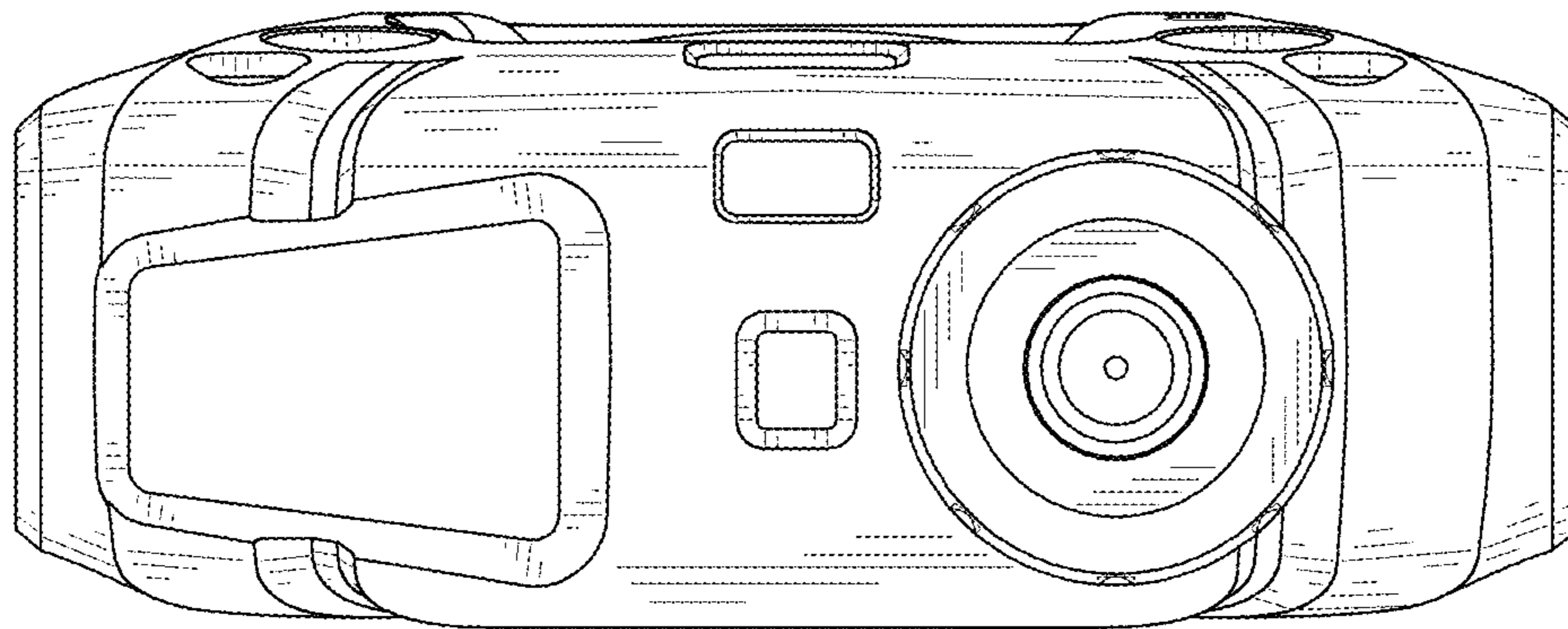


FIG. 7

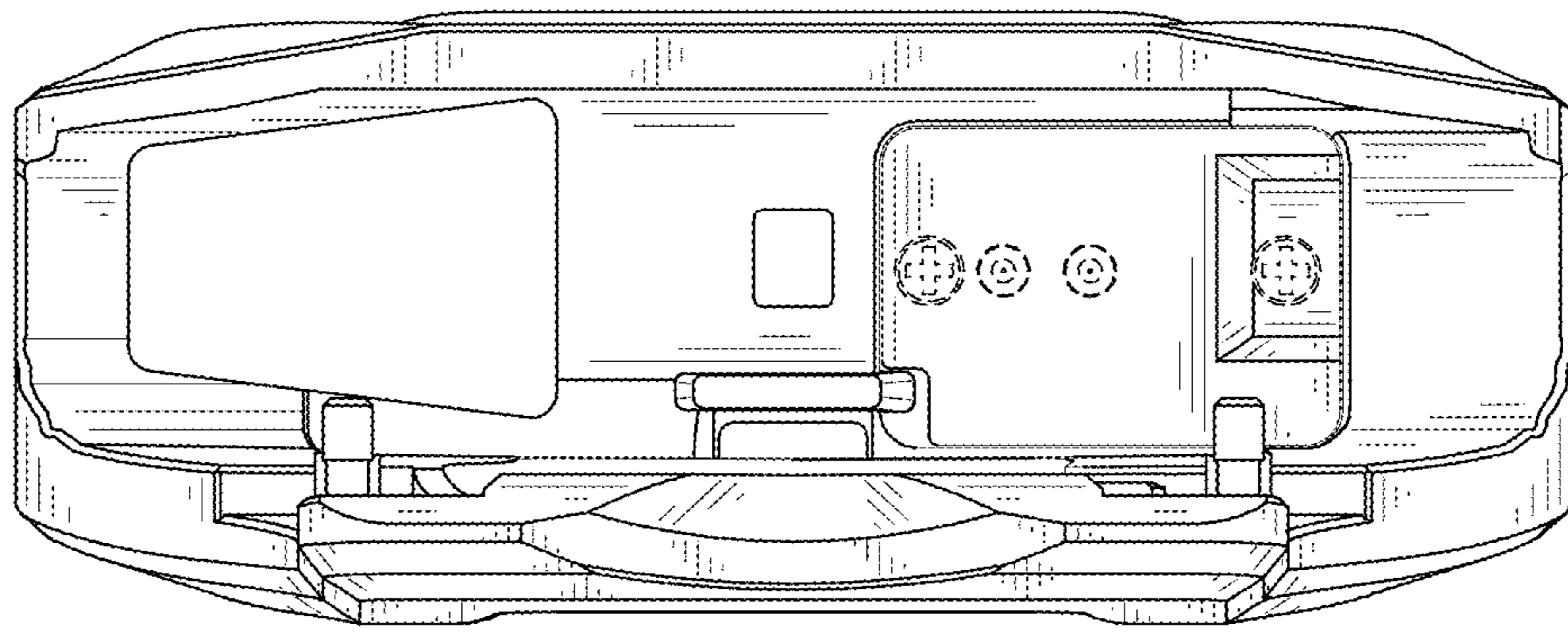


FIG. 8

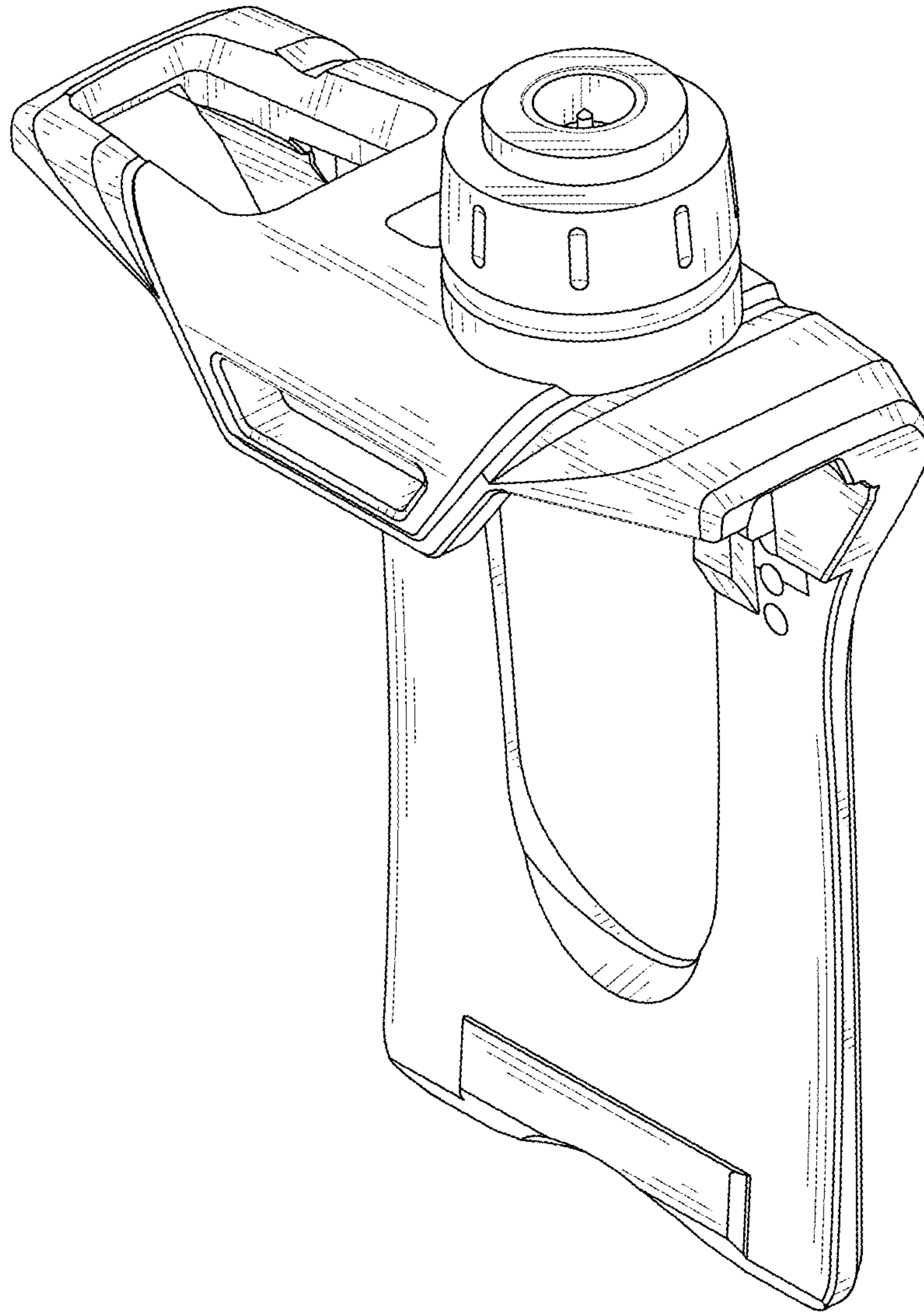


FIG. 9

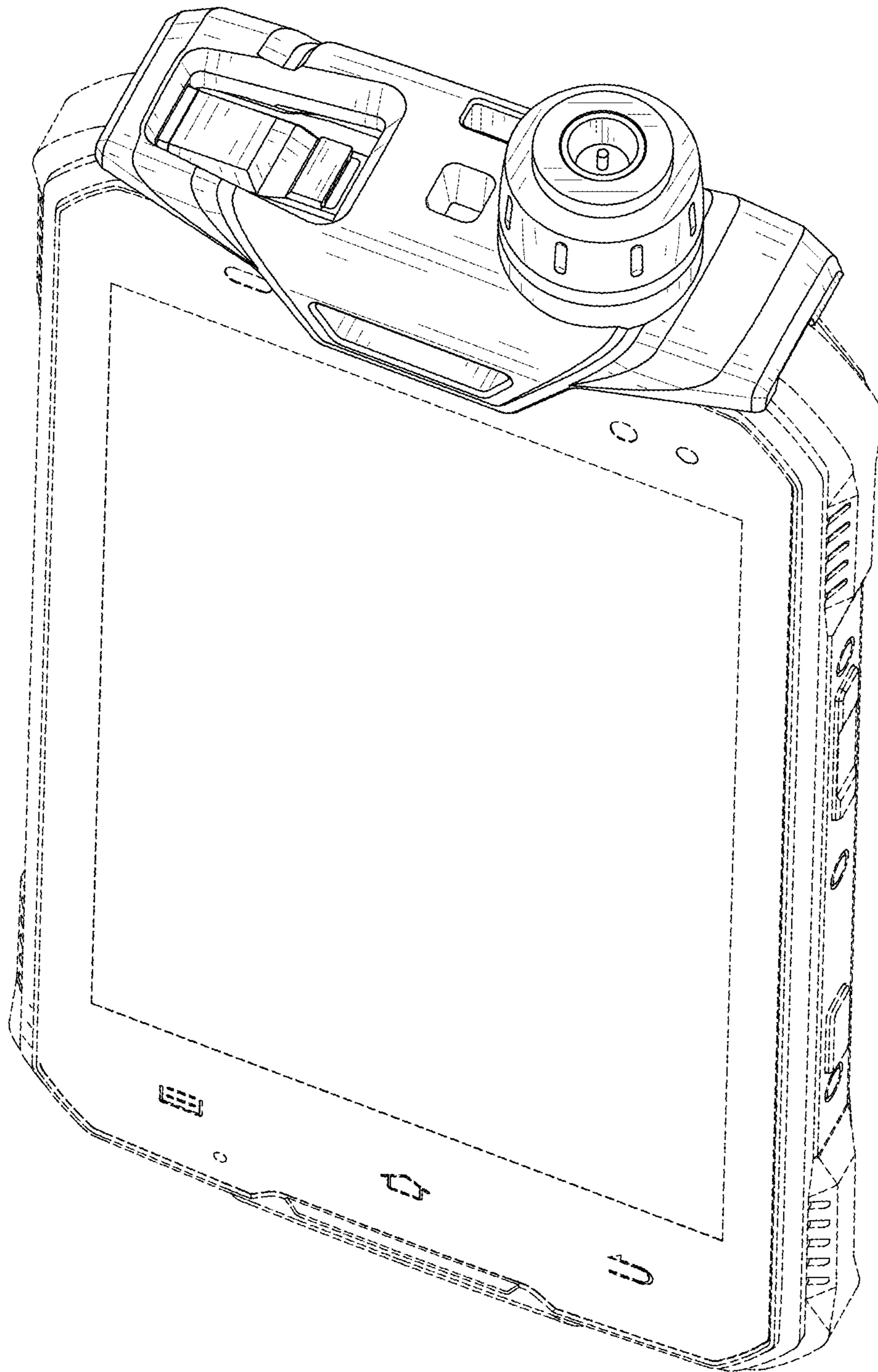


FIG. 10

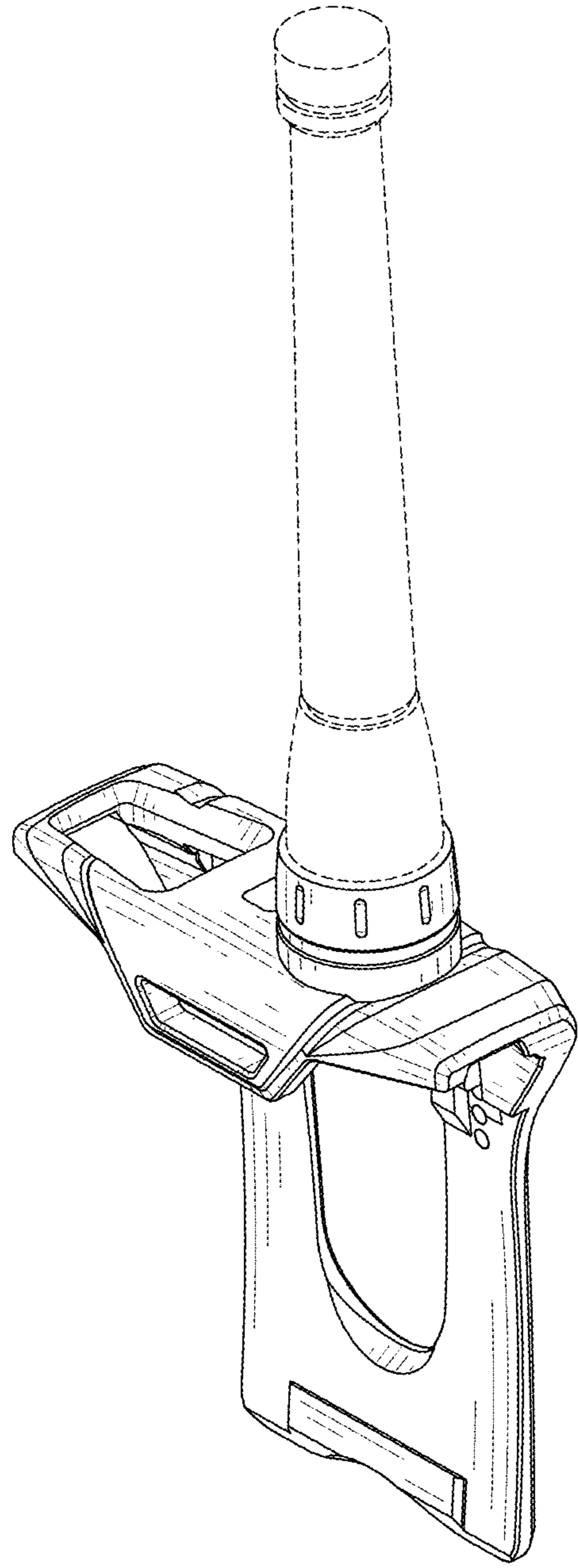


FIG. 11

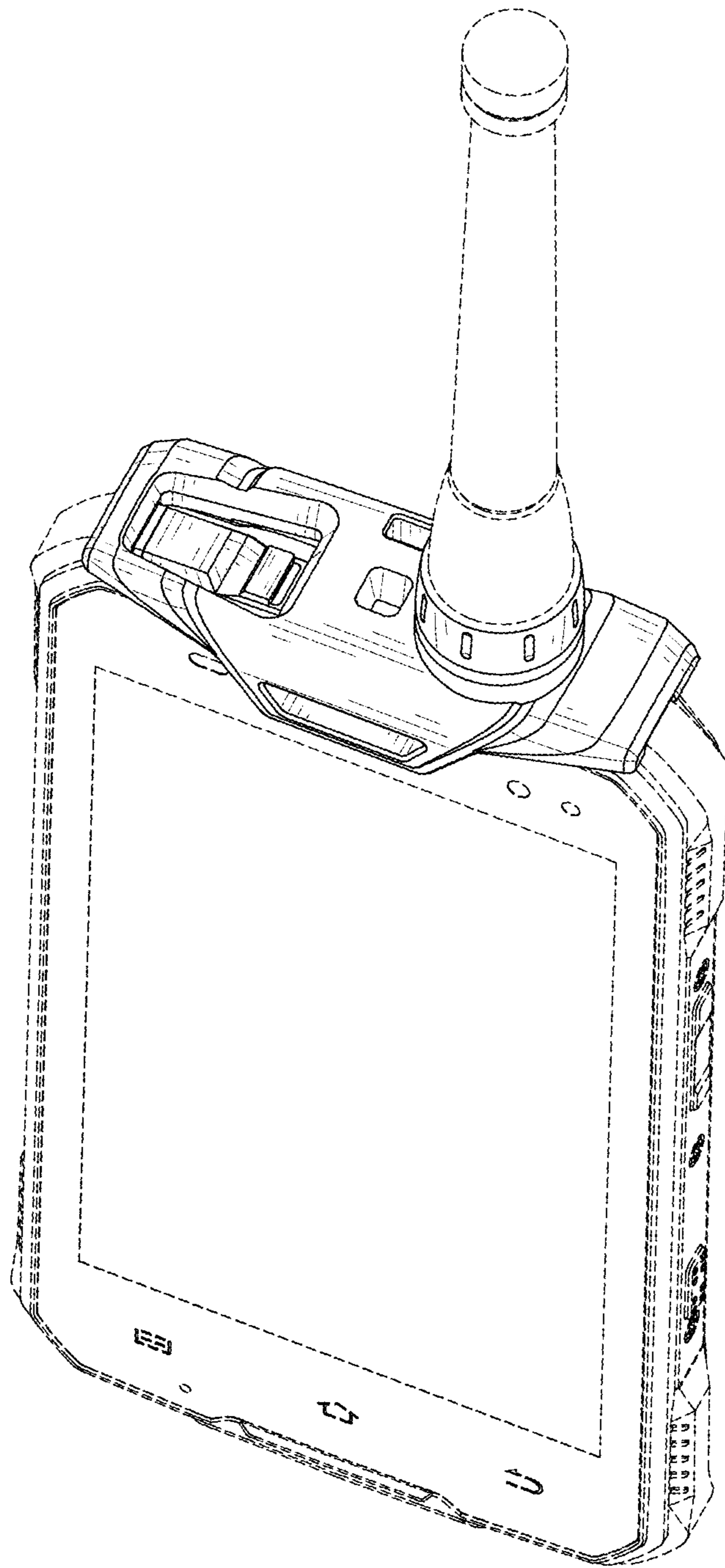


FIG. 12