

US00D809286S

(12) **United States Design Patent** (10) **Patent No.:** **US D809,286 S**  
**Sajid** (45) **Date of Patent:** **\*\* Feb. 6, 2018**

(54) **POCKET WATER BOTTLE**  
 (71) Applicant: **Salman Sajid**, Glendale, CA (US)  
 (72) Inventor: **Salman Sajid**, Glendale, CA (US)  
 (73) Assignee: **Three Sevens LLC**, Glendale, CA (US)  
 (\*\*) Term: **15 Years**  
 (21) Appl. No.: **29/581,123**  
 (22) Filed: **Oct. 17, 2016**  
 (51) **LOC (11) Cl.** ..... **09-02**  
 (52) **U.S. Cl.**  
 USPC ..... **D3/202**  
 (58) **Field of Classification Search**  
 USPC ..... D3/202; D9/521-523, 532, 544, 554,  
 D9/571, 572, 574, 575, 611, 673, 667,  
 D9/694, 763  
 CPC ..... B65D 47/08; B65D 23/104; B65D 1/02;  
 A47J 27/21166  
 See application file for complete search history.

D446,124 S *	8/2001	Lehnert .....	D9/522
D521,230 S *	5/2006	Linz .....	D3/202
D539,150 S *	3/2007	Leoncavallo .....	D9/454
D644,110 S *	8/2011	Jagger .....	D9/435
D718,044 S *	11/2014	Vargo .....	D3/202
D736,517 S *	8/2015	Lee .....	D3/202
D758,868 S *	6/2016	Bretschneider .....	D9/520
D792,228 S *	7/2017	de Baschmakoff .....	D9/522
2016/0159532 A1 *	6/2016	Seager .....	G01F 11/00 53/492

\* cited by examiner

*Primary Examiner* — John Windmuller  
*Assistant Examiner* — Benjamin Weeks

(57) **CLAIM**

The ornamental design for a pocket water bottle, as shown and described.

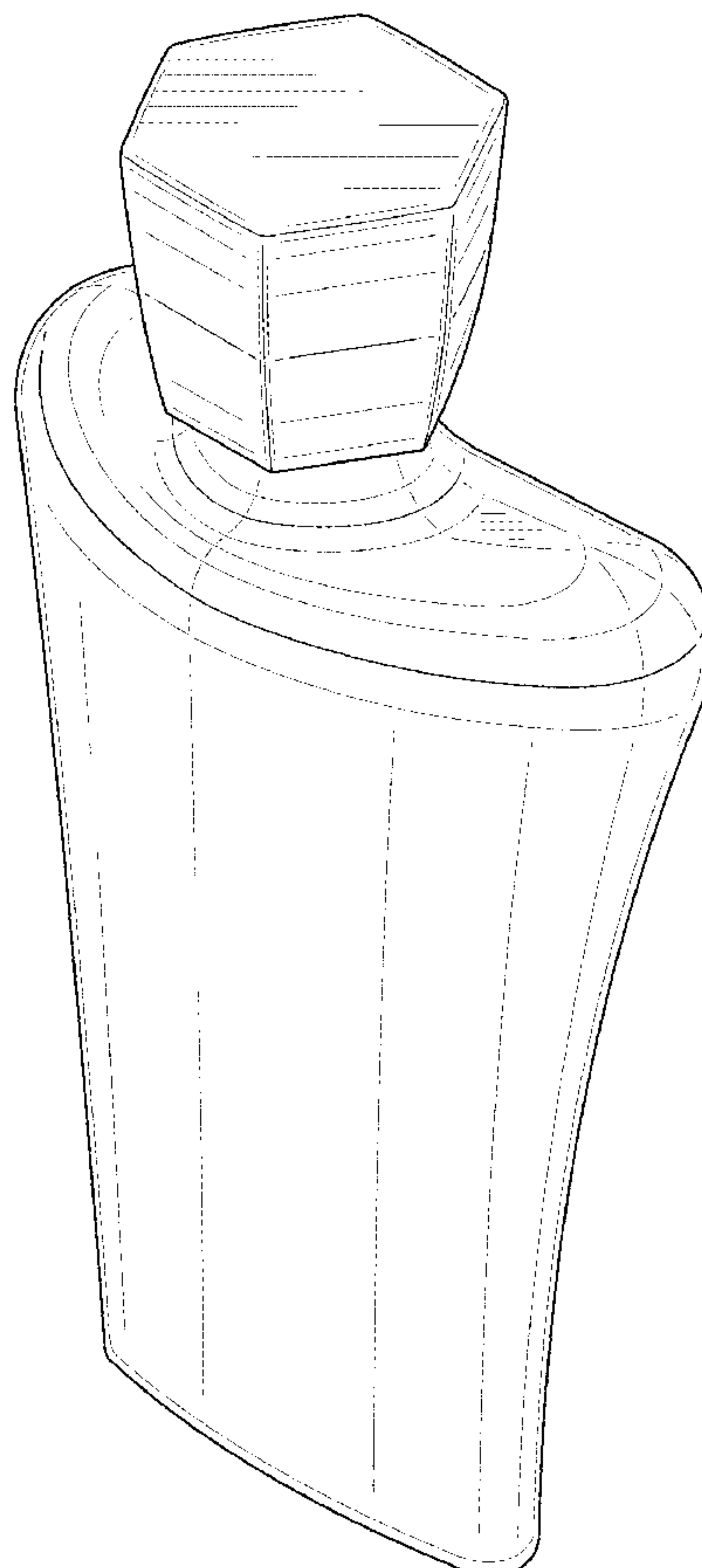
**DESCRIPTION**

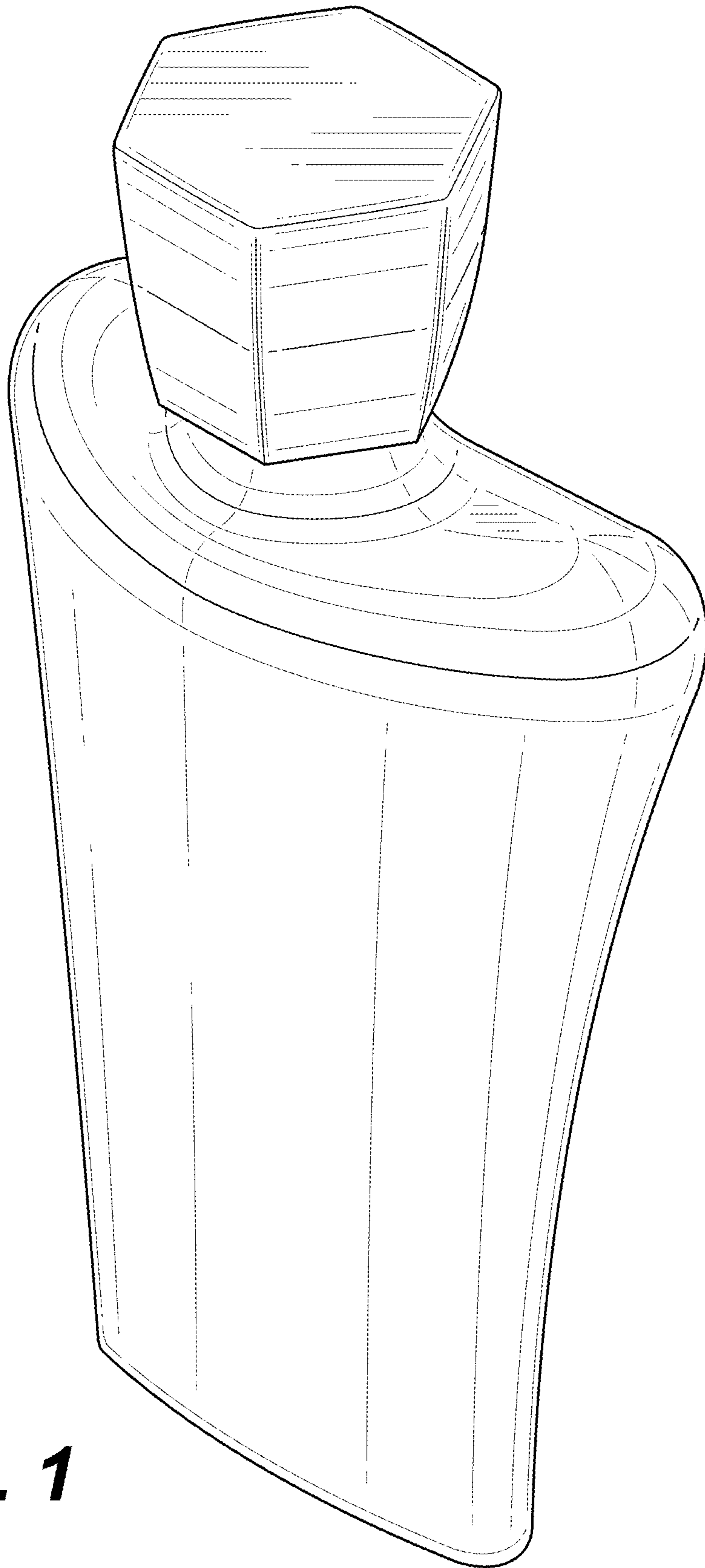
FIG. 1 shows a front perspective view of a pocket water bottle showing my new design;  
 FIG. 2 shows a front plan view thereof;  
 FIG. 3 shows a rear plan view thereof;  
 FIG. 4 shows a left plan view thereof;  
 FIG. 5 shows a right plan view thereof;  
 FIG. 6 shows a top plan view thereof; and,  
 FIG. 7 shows a bottom plan view thereof.

**1 Claim, 7 Drawing Sheets**

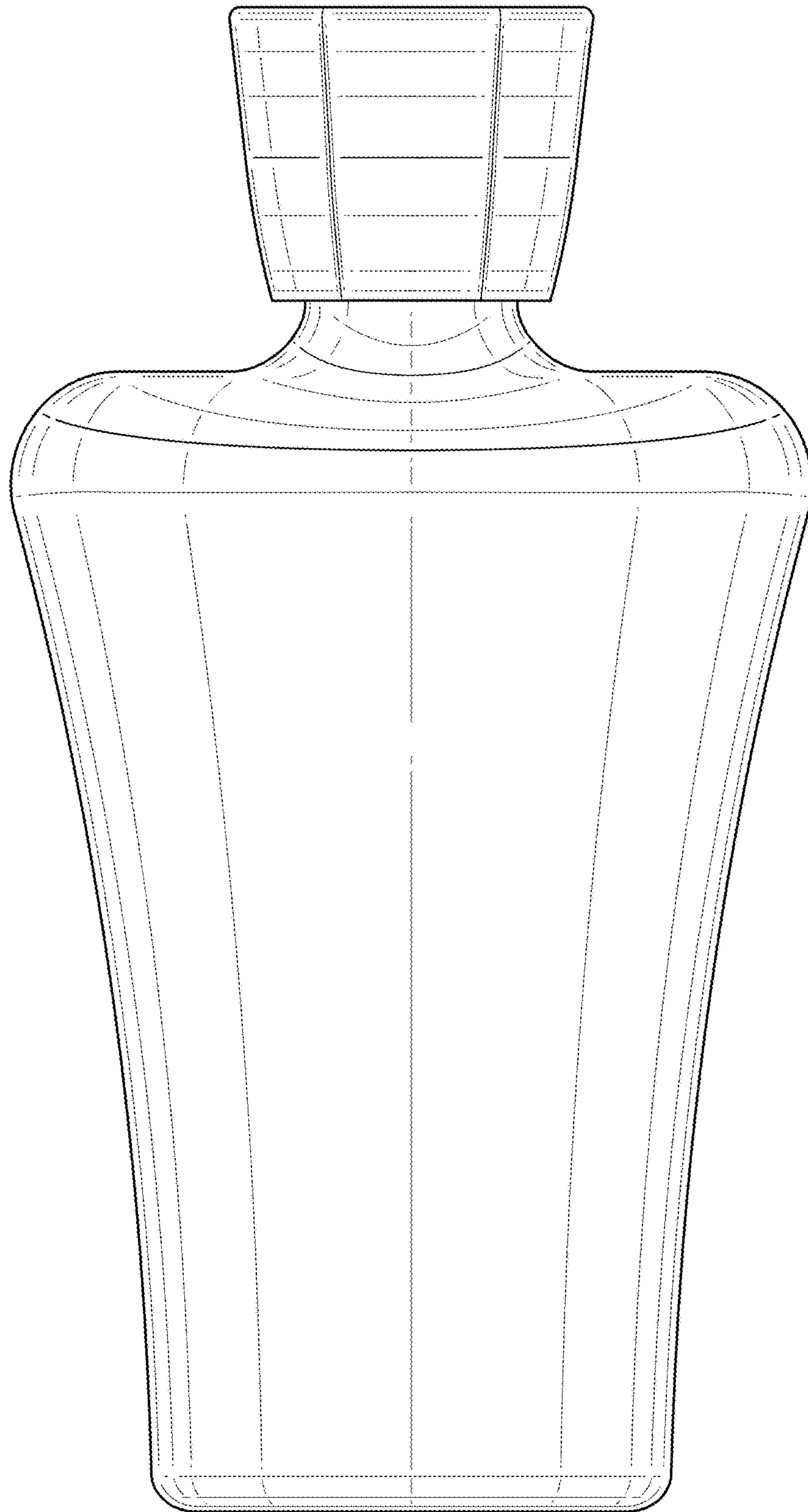
(56) **References Cited**  
 U.S. PATENT DOCUMENTS

D353,330 S *	12/1994	Kudo .....	D9/522
D443,980 S *	6/2001	Stewart .....	D3/202

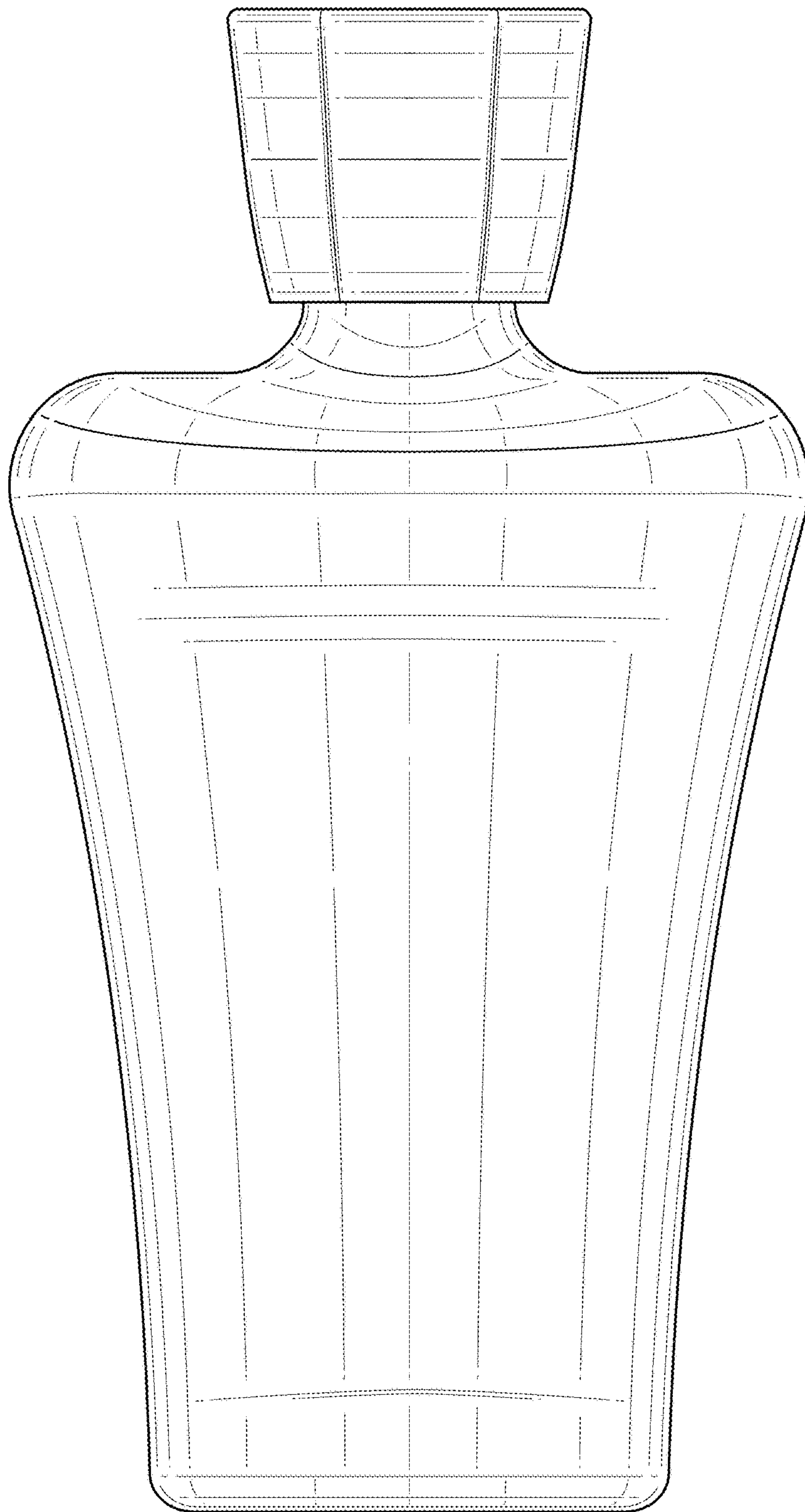




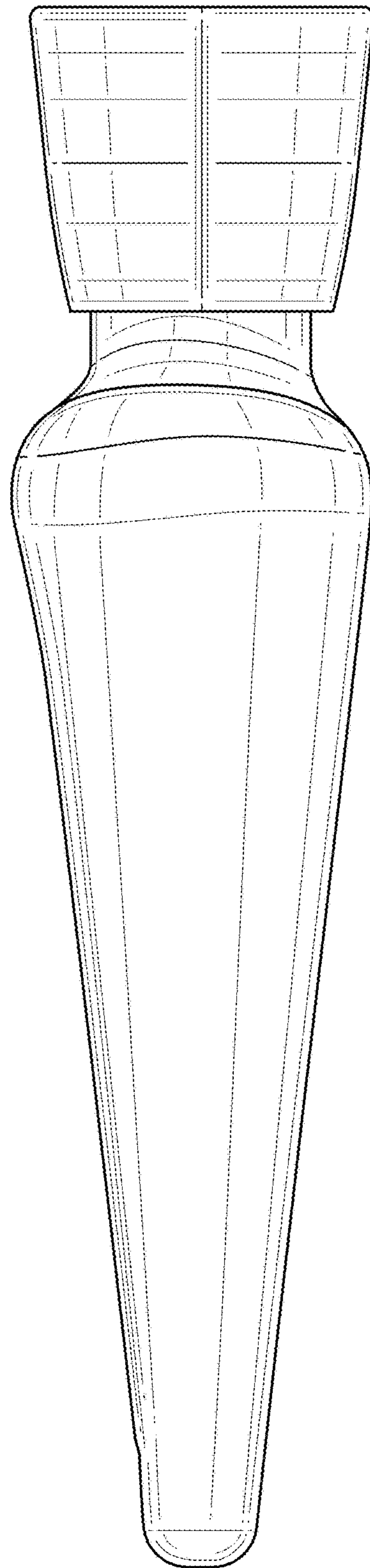
**FIG. 1**



**FIG. 2**

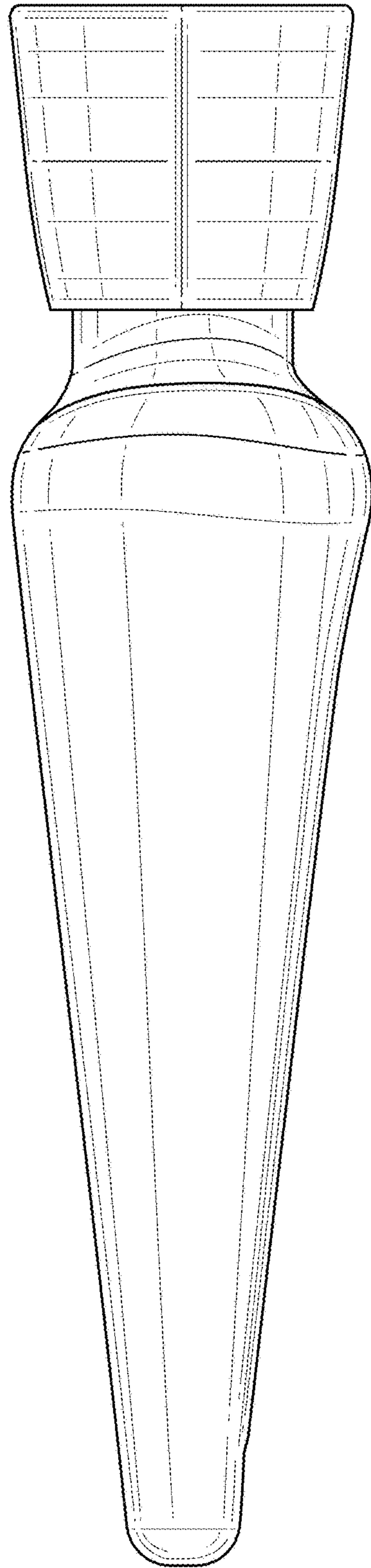


**FIG. 3**

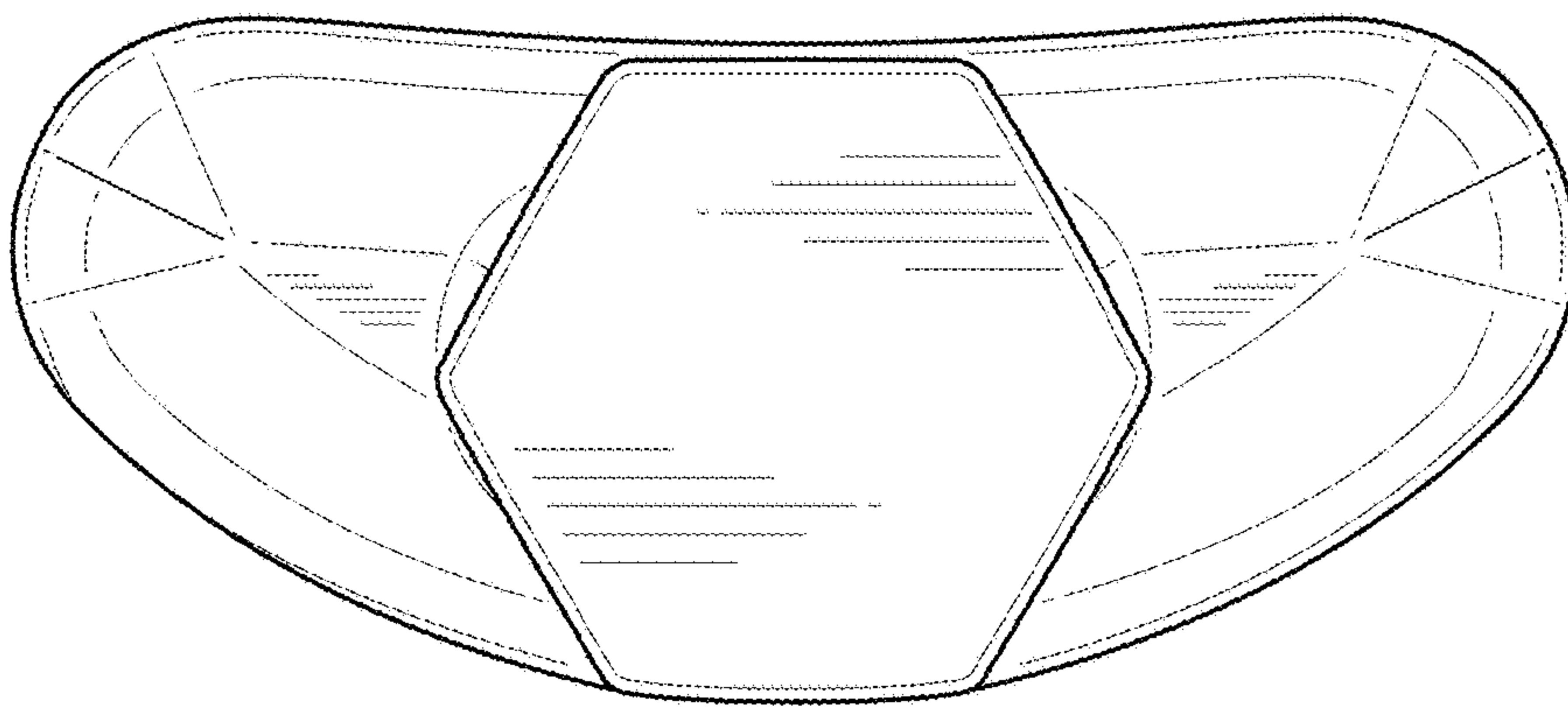


**FIG. 4**

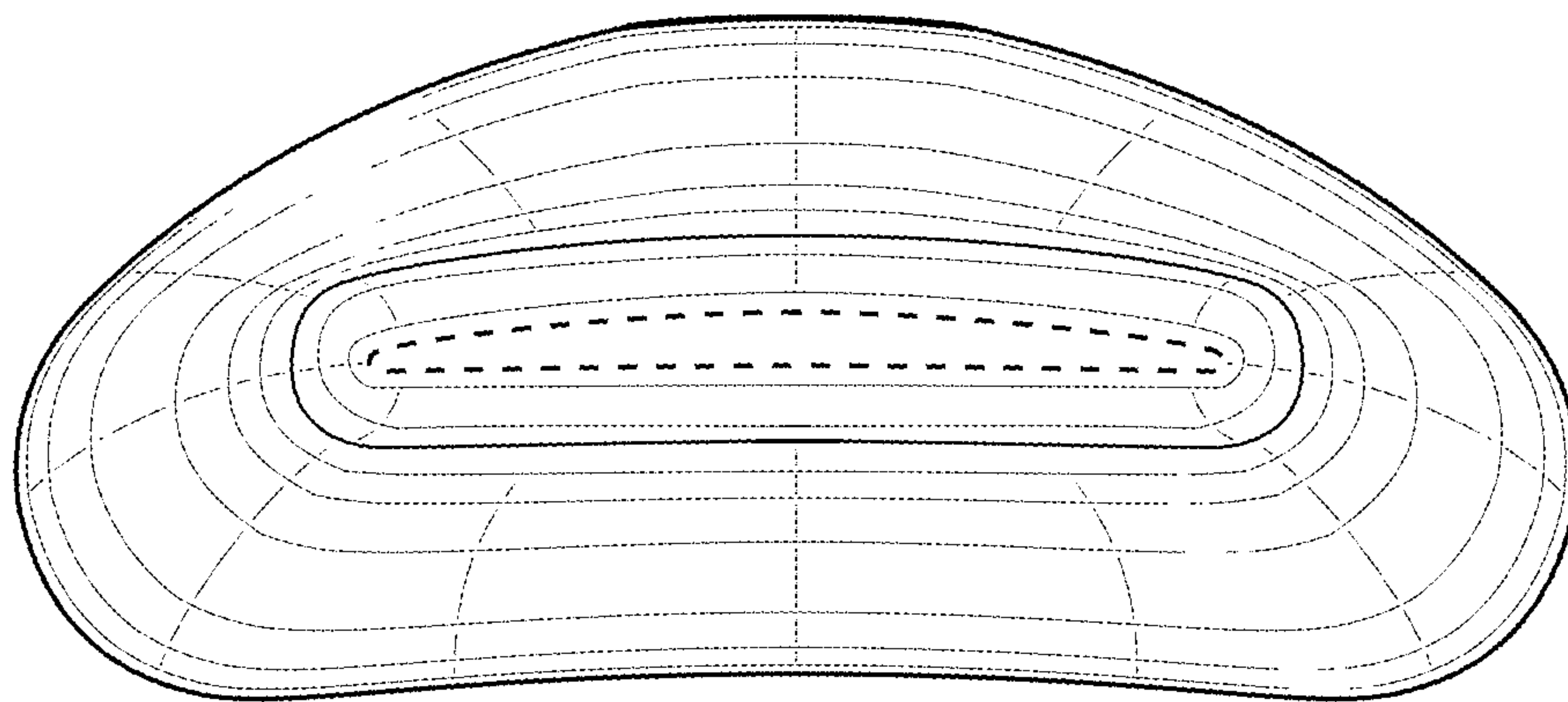




**FIG. 5**



**FIG. 6**



**FIG. 7**