



US00D809284S

(12) **United States Design Patent** (10) **Patent No.:** **US D809,284 S**
Ma (45) **Date of Patent:** **** Feb. 6, 2018**

(54) **UMBRELLA RUNNER**

FOREIGN PATENT DOCUMENTS

(71) Applicant: **Zhun-An Ma**, Arcadia, CA (US)

CN 202190859 4/2012
DE 3820573 8/1989

(72) Inventor: **Zhun-An Ma**, Arcadia, CA (US)

(Continued)

(**) Term: **15 Years**

OTHER PUBLICATIONS

(21) Appl. No.: **29/581,443**

Operation Manual Easy Sun Parasol Sunshade (Issue: Jul. 2004) pp. 1-17.

(22) Filed: **Oct. 19, 2016**

(Continued)

(51) **LOC (11) Cl.** **03-03**

(52) **U.S. Cl.**

USPC **D3/10**

(58) **Field of Classification Search**

USPC D3/10; D8/356, 396, 72, 395, 10, 103,
D8/105, 106, 119, 308, 309, 310;
D9/424, 453; D13/149, 154; D24/143,
D24/128

CPC B65H 35/0026; F16L 23/06; F16L 23/04;
F16L 3/23; F16L 23/10

See application file for complete search history.

Primary Examiner — John Windmuller

Assistant Examiner — Benjamin Weeks

(74) *Attorney, Agent, or Firm* — Knobbe Martens Olson & Bear, LLP

(57) **CLAIM**

The ornamental designs for an umbrella runner, as shown and described.

DESCRIPTION

(56) **References Cited**

U.S. PATENT DOCUMENTS

90,883 A 6/1869 Smith
D33,847 S 1/1901 Gaskill
878,270 A 2/1908 Blake et al.
911,169 A 2/1909 Smith
919,954 A 4/1909 Riehl
941,952 A 11/1909 Riehl
950,913 A 3/1910 Hartzell
956,396 A 4/1910 Mills et al.
956,657 A 5/1910 Wetteroth
957,528 A 5/1910 Wetteroth
D45,227 S 2/1914 Glauber
1,136,887 A 4/1915 Penn
1,264,799 A 8/1916 Howard
1,235,296 A 7/1917 Dillingham
1,243,594 A 10/1917 Dillingham

(Continued)

FIG. 1 is a perspective view of a portion of one embodiment of my designs as illustrated in FIG. 2 showing an umbrella in phantom lining, an umbrella being one non-limiting environment in which the new designs can be used;

FIG. 2 is a top perspective view of one embodiment of an umbrella runner;

FIG. 3 is a bottom perspective view of the embodiment of FIG. 2;

FIG. 4 is a front view of the embodiment of FIG. 2;

FIG. 5 is a rear view of the embodiment of FIG. 2;

FIG. 6 is a right side view of the embodiment of FIG. 2;

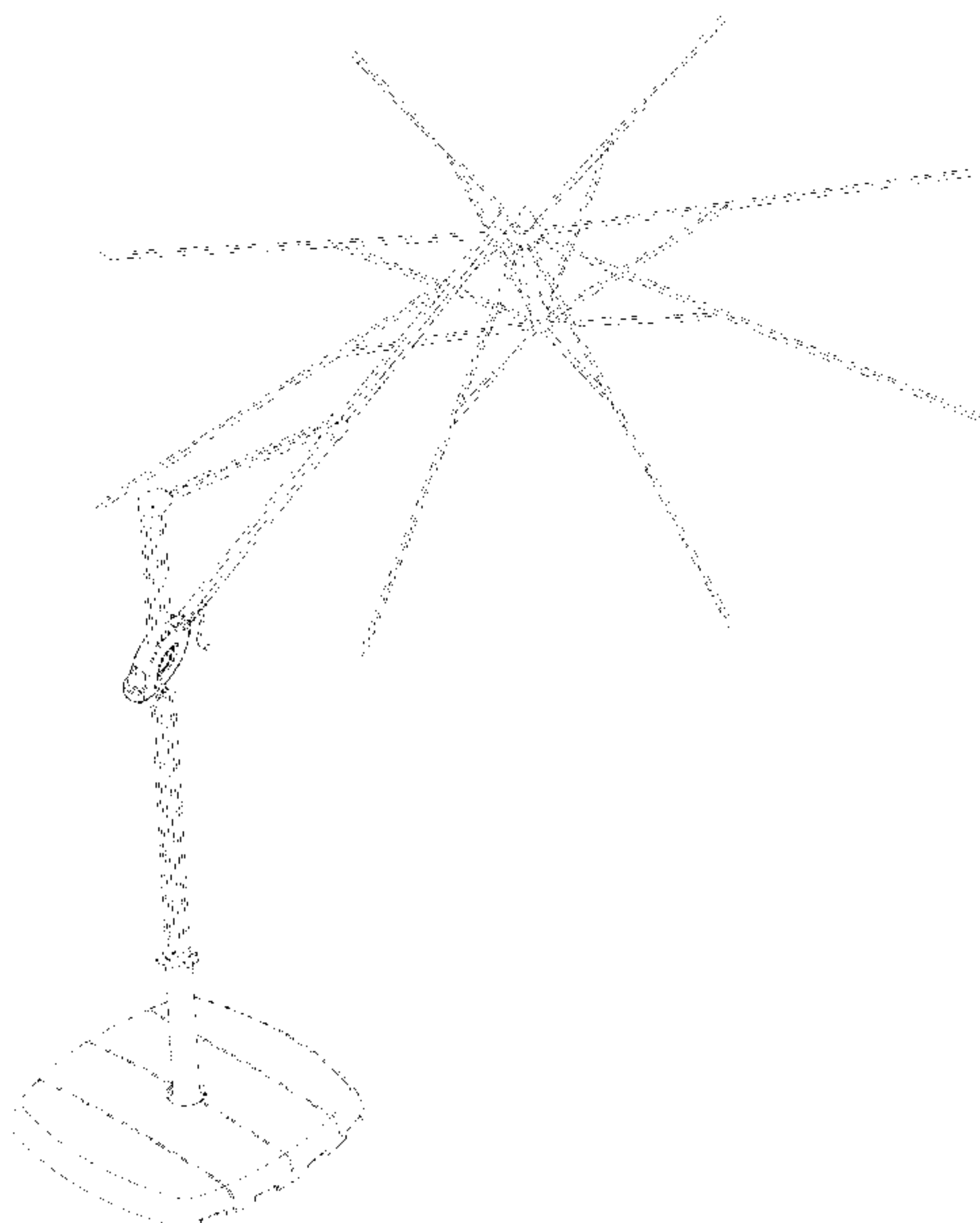
FIG. 7 is a left side view of the embodiment of FIG. 2;

FIG. 8 is a top view of the embodiment of FIG. 2; and,

FIG. 9 is a bottom view of the embodiment of FIG. 2.

The broken lines represent environment and portions of the umbrella runner that form no part of the claimed design.

1 Claim, 8 Drawing Sheets



(56)

References Cited

U.S. PATENT DOCUMENTS

1,255,627 A	2/1918	Morrow et al.	6,311,707 B1	11/2001	Wu et al.
1,268,354 A	6/1918	Howard	6,314,976 B1	11/2001	Clarke
D90,772 S	9/1933	Kasch	6,354,042 B1	3/2002	Kuo
D127,735 S	6/1941	Dreyfuss	6,371,141 B1	4/2002	Lin et al.
2,447,972 A	8/1948	Weinert	6,371,686 B1	4/2002	Wu
2,469,637 A	5/1949	Evans et al.	6,386,214 B1	5/2002	Clarke
2,475,406 A	7/1949	Russell	6,386,215 B1	5/2002	Chang
D162,678 S	3/1951	Muller-Munk	6,412,506 B1	7/2002	Reese
D167,619 S	9/1952	Coran	6,422,251 B1	7/2002	Tseng
2,762,383 A	9/1956	Wittman	6,435,444 B1	8/2002	Lin
2,937,653 A	5/1960	Danciart et al.	6,478,037 B2	11/2002	Tung
D190,597 S	6/1961	Nelson	6,571,813 B2	6/2003	Lin et al.
3,120,238 A	2/1964	Glatz	6,575,182 B2	6/2003	Tung
3,145,720 A	8/1964	Torii	6,575,183 B2	6/2003	Tung
3,424,180 A	1/1969	Giancarlo	D477,458 S	7/2003	Goldwitz
3,856,032 A	12/1974	Schafer	6,588,438 B1	7/2003	Steiner
D265,498 S	7/1982	Paul	D478,416 S	8/2003	Clarke
4,368,749 A	1/1983	Lindler et al.	6,619,306 B2	9/2003	Ma
D276,838 S	12/1984	Hill et al.	6,662,815 B2	12/2003	Tung
D278,029 S	3/1985	Suponitsky	6,732,753 B2	5/2004	Chang
4,576,191 A	3/1986	Schultes et al.	6,758,229 B2	7/2004	Wang
4,586,525 A	5/1986	Glatz et al.	D497,478 S	10/2004	Clarke
4,622,987 A	11/1986	Redl et al.	D497,479 S	10/2004	Yu
4,674,523 A	6/1987	Glatz	6,837,255 B2	1/2005	Bunch et al.
4,697,606 A	10/1987	Ma	6,851,823 B2	2/2005	Bilotti
4,811,670 A	3/1989	Kolvites et al.	D503,035 S	3/2005	Ko
4,878,509 A	11/1989	Tung	D503,272 S	3/2005	Machin et al.
5,002,081 A	3/1991	Stromeyer	6,889,699 B2	5/2005	Clarke
5,029,596 A	7/1991	Tung	6,923,193 B2	8/2005	Chen
D320,111 S	9/1991	Ma	6,941,960 B2	9/2005	Huang
5,050,627 A	9/1991	Hengtzu	D513,471 S	1/2006	Sato et al.
D321,779 S	11/1991	Ma	D515,222 S	2/2006	Kieffer
5,144,780 A	9/1992	Gieling et al.	7,000,624 B2	2/2006	Chang
D344,786 S	3/1994	Short et al.	D518,629 S	4/2006	Ma
5,349,975 A	9/1994	Valdner	D525,721 S	7/2006	Landes
5,357,994 A	10/1994	Chung	7,082,953 B2	8/2006	Liu
D360,522 S	7/1995	Ko	7,089,950 B2	8/2006	Lin
5,499,644 A	3/1996	Geniele	7,134,442 B2	11/2006	Ma
D372,854 S	8/1996	Jimenez	D539,632 S	4/2007	Ma
D376,974 S *	12/1996	Chen 24/274 WB	D545,184 S	6/2007	Hanamura
5,584,564 A	12/1996	Phyle	D549,285 S	8/2007	Chen
5,588,455 A	12/1996	Kuo	7,293,573 B2	11/2007	Clarke
5,611,364 A	3/1997	Woods et al.	D558,444 S	1/2008	Ma
5,655,557 A	8/1997	Martin	7,318,444 B2	1/2008	Clakre
5,740,823 A	4/1998	Lin et al.	7,328,715 B2	2/2008	Neubardt
5,746,235 A	5/1998	Lin	7,341,068 B2	3/2008	Liu
5,785,069 A	7/1998	Glatz	D577,423 S *	9/2008	Dole D23/265
D397,054 S	8/1998	Brantley et al.	7,546,845 B2	6/2009	Prusmack
5,794,637 A	8/1998	Figueroa	7,556,051 B2	7/2009	Lai
D398,443 S	9/1998	Bolle	D597,822 S *	8/2009	Olsen D8/356
5,809,734 A	9/1998	Turner	D600,326 S *	9/2009	Gibb D23/265
D400,777 S	11/1998	Carsello	D602,686 S	10/2009	Patzak
5,884,645 A	3/1999	Chen et al.	7,647,936 B1	1/2010	Chen
D408,621 S	4/1999	Kuo	7,665,477 B1	2/2010	Hathaway
5,899,210 A	5/1999	Letherby et al.	7,686,024 B1	3/2010	Lai
D410,862 S	6/1999	Milhov	7,703,464 B2	4/2010	Ma
5,937,882 A	8/1999	Harbaugh	7,708,022 B2	5/2010	Ma
5,960,806 A	10/1999	Steiner	D623,396 S	9/2010	He
6,014,980 A	1/2000	Glatz	D626,324 S	11/2010	Ma
6,076,540 A	6/2000	You	D631,243 S	1/2011	Forthuber et al.
D434,215 S	11/2000	Lin	7,861,734 B2	1/2011	Ma
D434,476 S	11/2000	Meda	7,891,367 B2	2/2011	Ma
6,145,523 A	11/2000	Lo	7,900,643 B2	3/2011	Ma
6,152,156 A	11/2000	Tung	7,913,708 B2	3/2011	Yung
D434,556 S	12/2000	Lin	D644,832 S	9/2011	Patzak
6,192,907 B1	2/2001	Wu	D649,641 S *	11/2011	Guttulsrud D24/143
D438,783 S *	3/2001	Elliott F16L 23/10 D8/396	8,061,375 B2	11/2011	Ma
6,220,261 B1	4/2001	Glatz	8,082,935 B2	12/2011	Ma
6,230,728 B1	5/2001	Reese	8,096,310 B2	1/2012	Clarke
6,247,483 B1	6/2001	Rung	D662,064 S *	6/2012	Natoli D13/151
6,298,867 B1	10/2001	Chang	D668,446 S *	10/2012	Patzak D3/10
6,305,394 B1	10/2001	Reese	D669,555 S	10/2012	Jaworski et al.
6,311,705 B1	11/2001	Ma	8,443,819 B2	5/2013	Beaulieu
6,311,706 B1	11/2001	Sato	D687,102 S *	7/2013	Chandaria D19/69
			D698,320 S *	1/2014	Condo D13/154
			D700,835 S *	3/2014	Langlois D8/396
			D711,730 S *	8/2014	McKiernan D8/396
			D719,343 S	12/2014	Ma

(56)

References Cited

U.S. PATENT DOCUMENTS

8,961,340 B2 * 2/2015 Boatwright A63B 59/0044
248/316.5
D738,609 S 9/2015 Ma
D738,610 S 9/2015 Ma
D741,701 S * 10/2015 McNeil D8/356
D748,464 S 2/2016 Kury
D749,835 S * 2/2016 Whitaker D3/10
D758,177 S * 6/2016 Riccione D8/396
D760,486 S 7/2016 Patzak
D766,711 S * 9/2016 Babbage D8/394
D770,886 S * 11/2016 Whitaker D8/394
D781,787 S * 3/2017 Spiel D13/149
D782,179 S 3/2017 Ma
2002/0083969 A1 7/2002 Tung
2002/0129843 A1 9/2002 Wang
2002/0139405 A1 10/2002 Lee
2003/0015230 A1 1/2003 Glatz
2004/0031513 A1 2/2004 Bunch et al.
2004/0055627 A1 3/2004 Moga
2004/0055628 A1 3/2004 Yu
2004/0069333 A1 4/2004 Ma
2004/0154525 A1 8/2004 Wirth et al.
2004/0182429 A1 9/2004 Chen
2004/0206382 A1 10/2004 Clarke
2004/0206383 A1 10/2004 Clarke
2005/0098200 A1 5/2005 Su
2005/0115599 A1 6/2005 You
2005/0194027 A1 9/2005 Ko
2005/0241687 A1 11/2005 Ko
2006/0005867 A1 1/2006 Chang
2006/0151019 A1 7/2006 Lo
2007/0113878 A1 5/2007 Ko
2008/0066793 A1 3/2008 Ma
2008/0202570 A1 8/2008 Clarke

2009/0007945 A1 1/2009 Ma
2009/0014041 A1 1/2009 Li
2009/0260664 A1 10/2009 Ma
2010/0132165 A1* 6/2010 Shor F16L 23/04
24/19
2010/0139724 A1 6/2010 Lai
2010/0139725 A1 6/2010 Lai
2011/0017249 A1 1/2011 Ma
2011/0061694 A1 3/2011 Vanderminden, Sr.
2011/0132418 A1 6/2011 Ma
2011/0209732 A1 9/2011 Ma
2011/0214705 A1 9/2011 Ma
2011/0277800 A1 11/2011 Tung
2012/0227221 A1* 9/2012 Whitaker A61M 39/1011
24/459
2013/0152984 A1 6/2013 Chou
2013/0276843 A1 10/2013 Ma
2014/0020725 A1 1/2014 Ma
2014/0096803 A1 4/2014 Siegenthaler
2014/0251394 A1 9/2014 Ma

FOREIGN PATENT DOCUMENTS

FR 2672781 A3 8/1992
JP 2006-110317 A 4/2006
JP 2007-222591 9/2007
JP 2008-142310 6/2008
WO WO 2005/058089 6/2005

OTHER PUBLICATIONS

Activa Leisure, 2010 Product Catalog.
Treasure Garden, Inc., Collections 2015, Product Catalog, including front and rear covers.

* cited by examiner

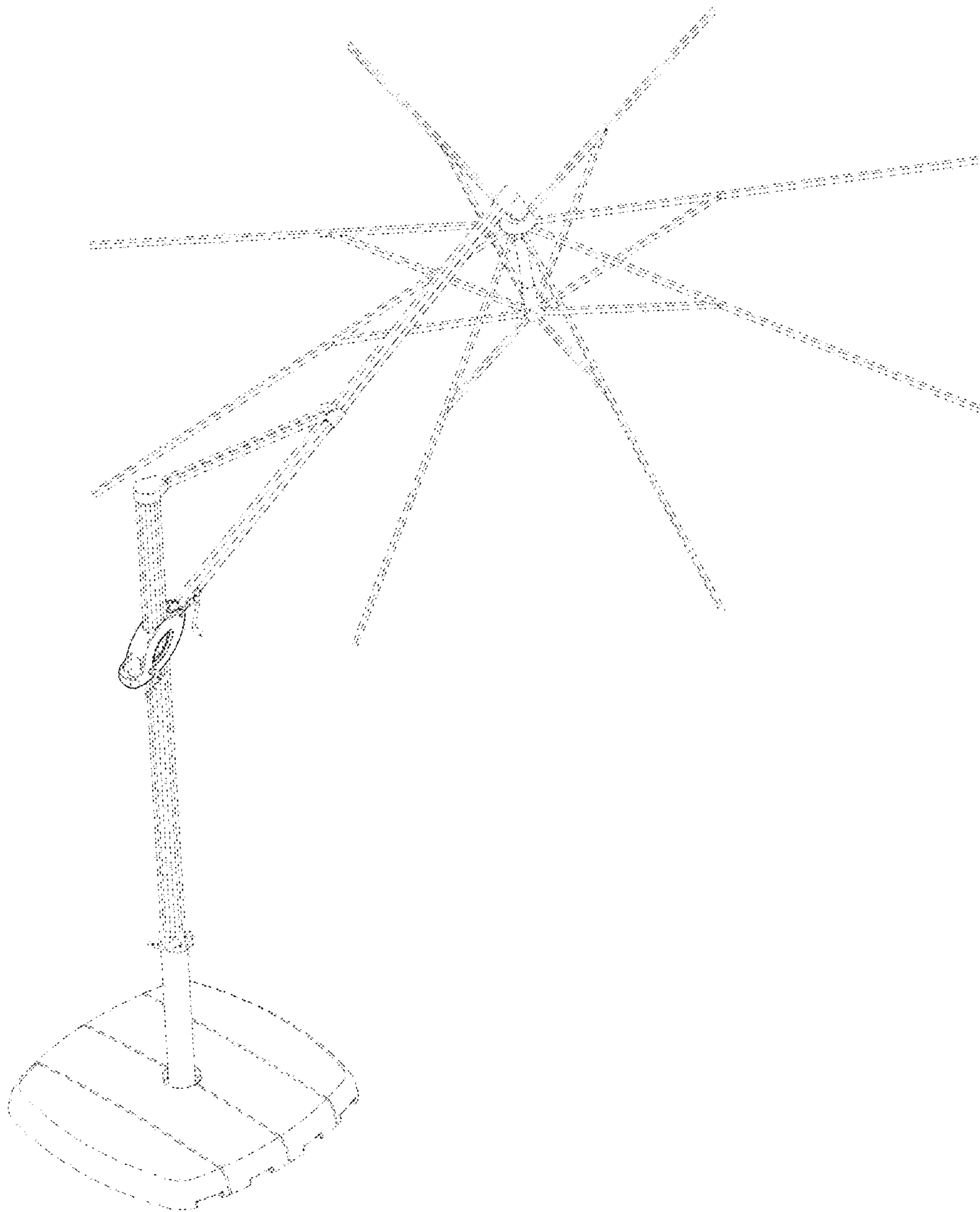


FIG. 1

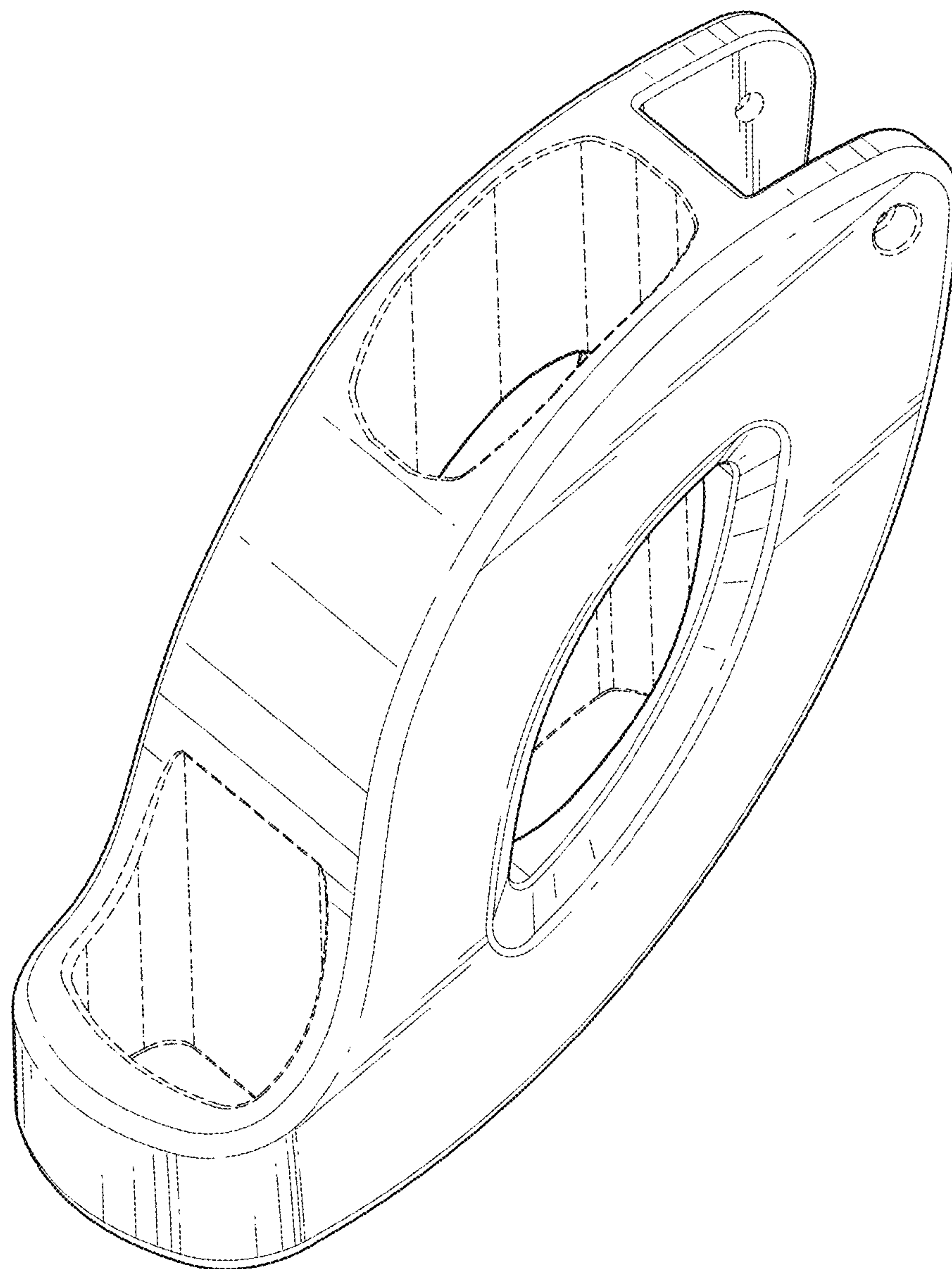


FIG. 2

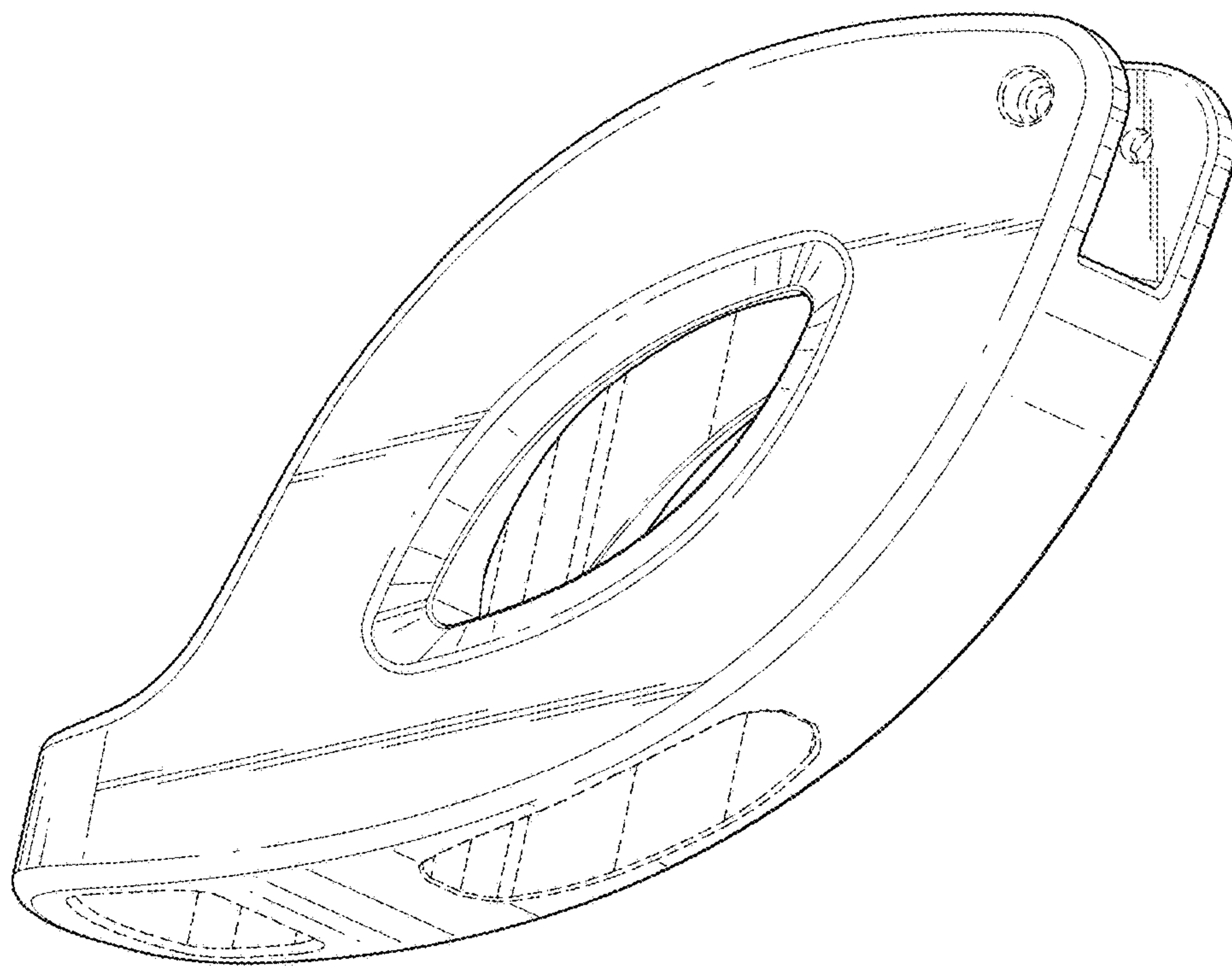


FIG. 3

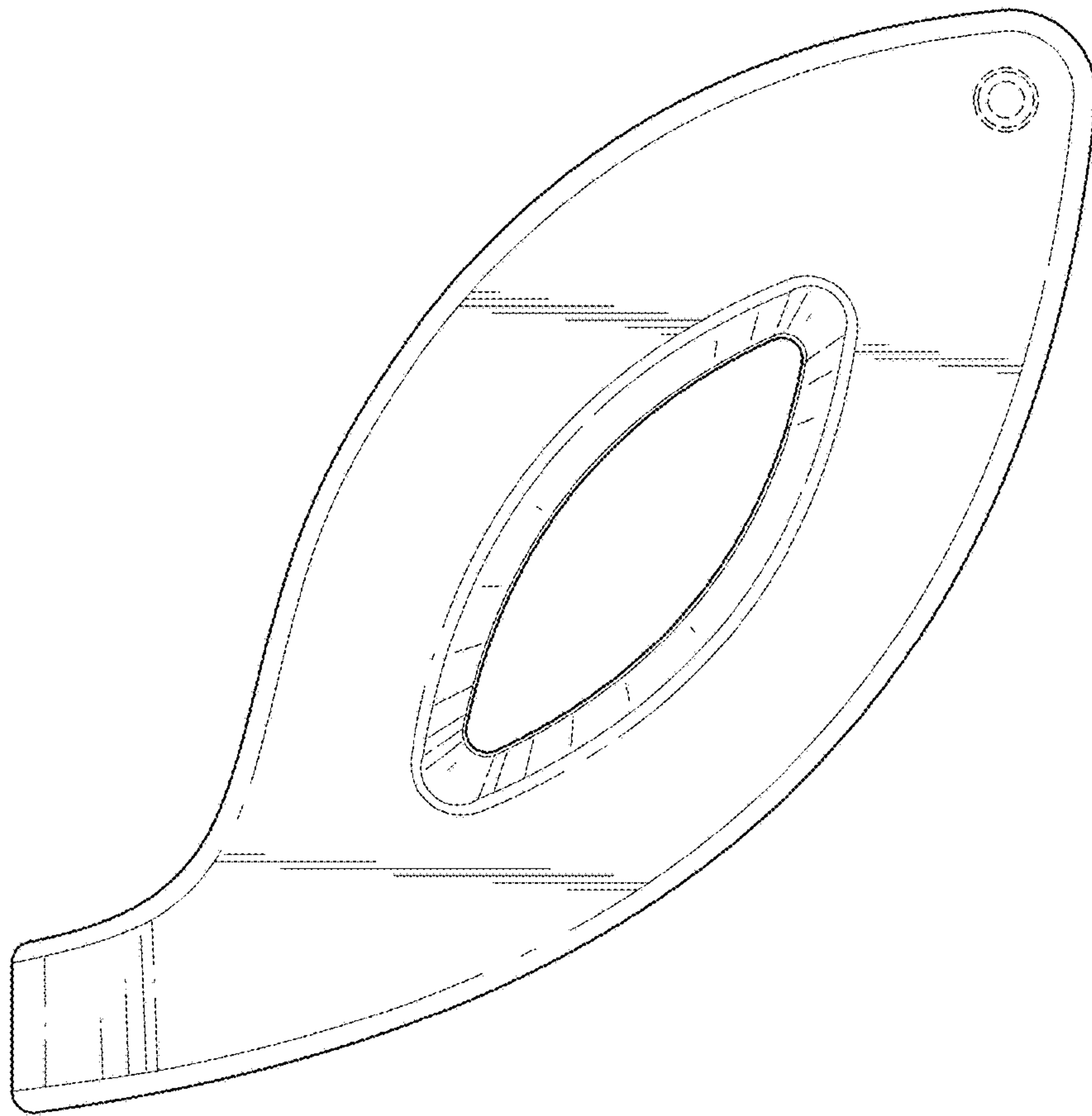


FIG. 4

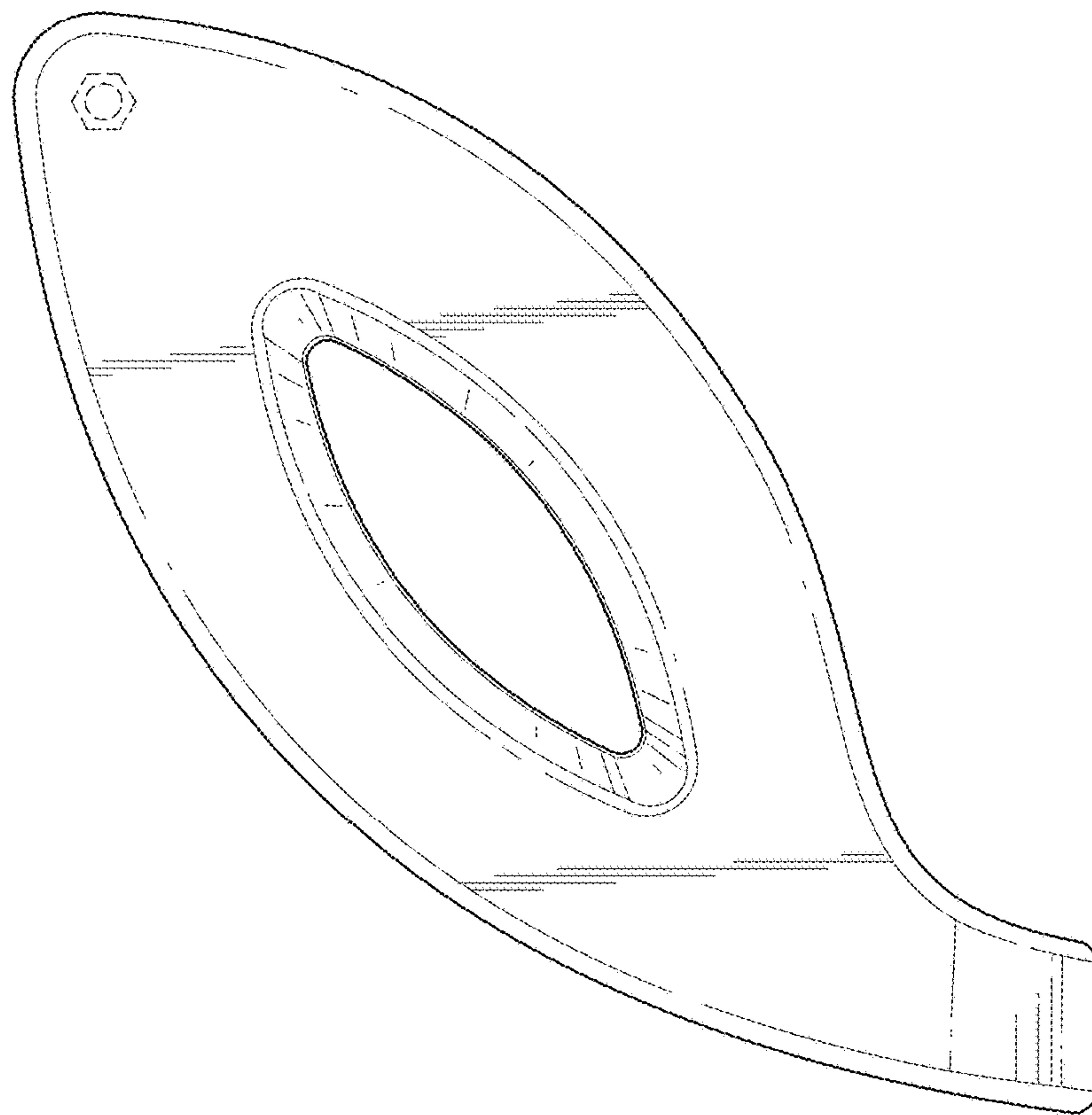


FIG. 5

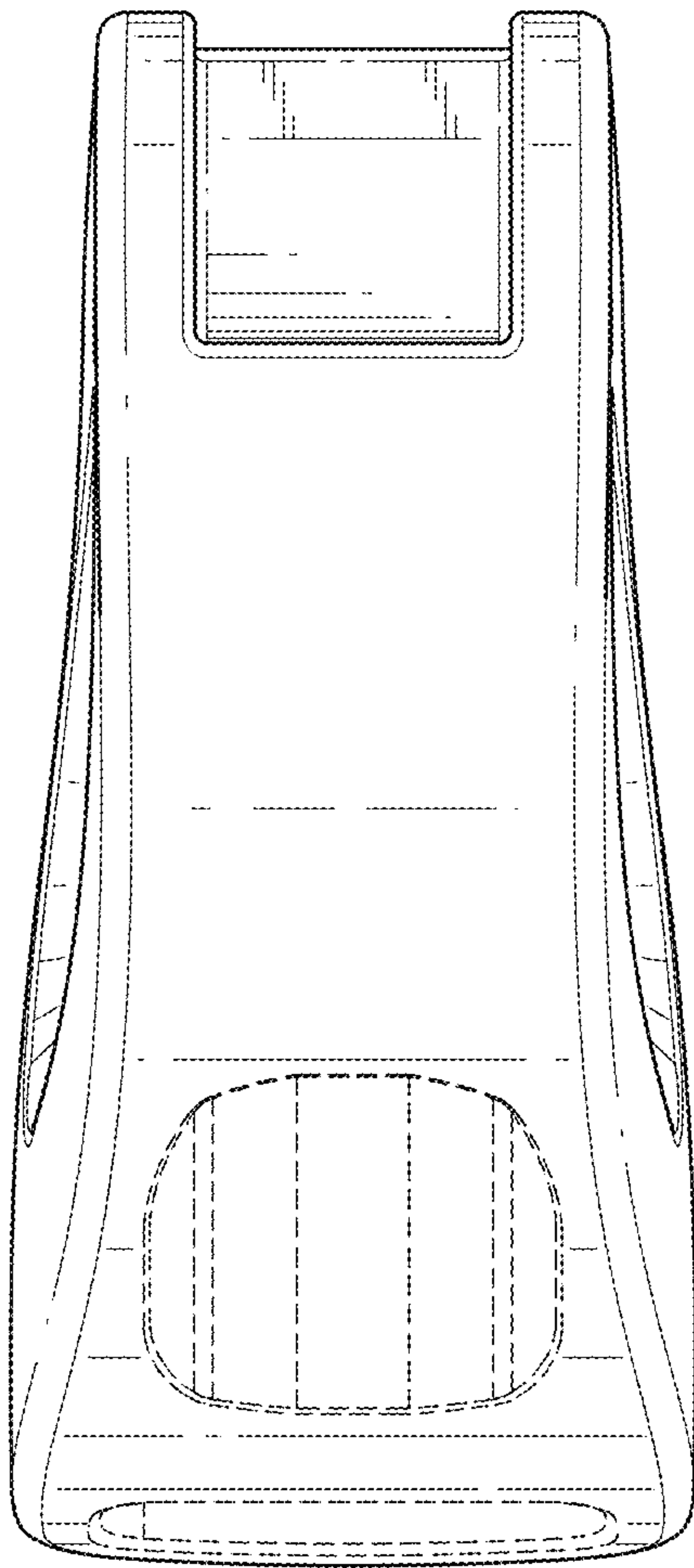


FIG. 6

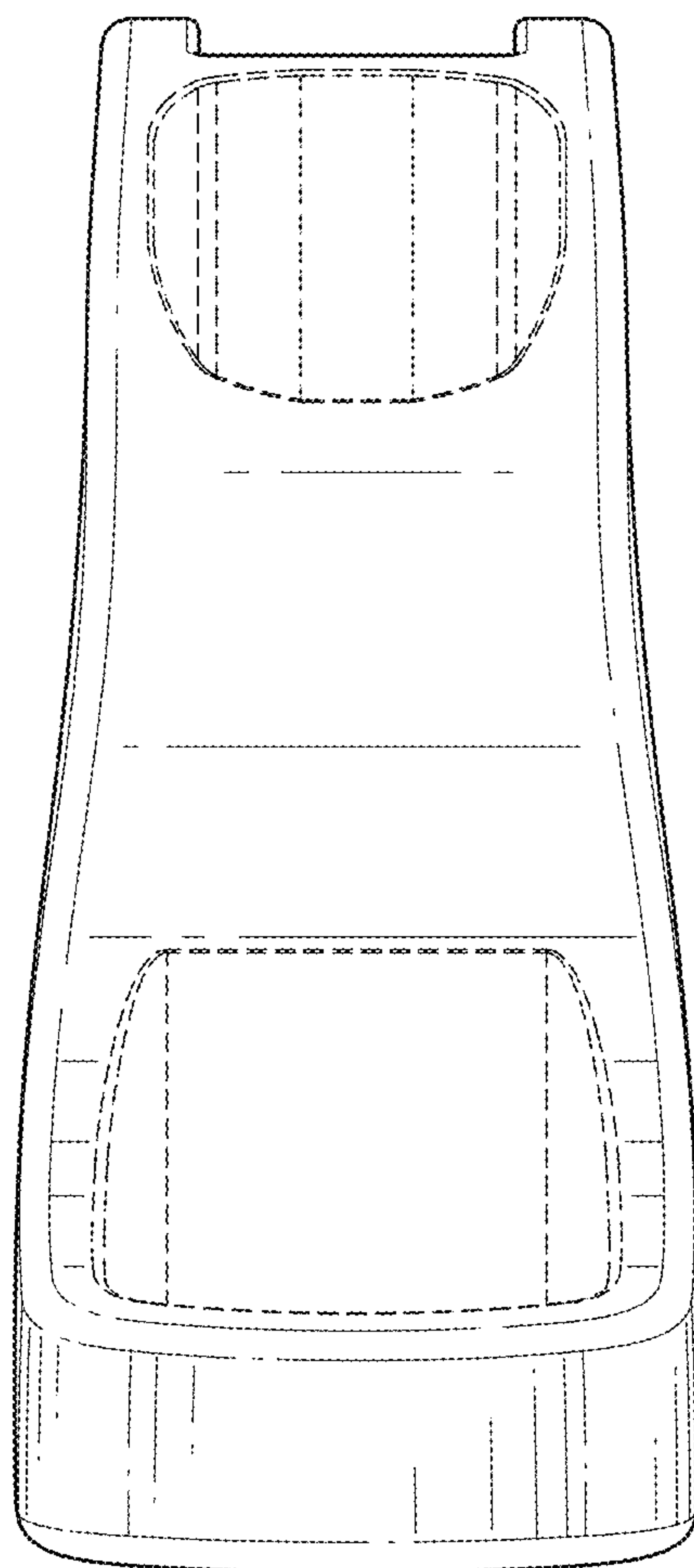


FIG. 7

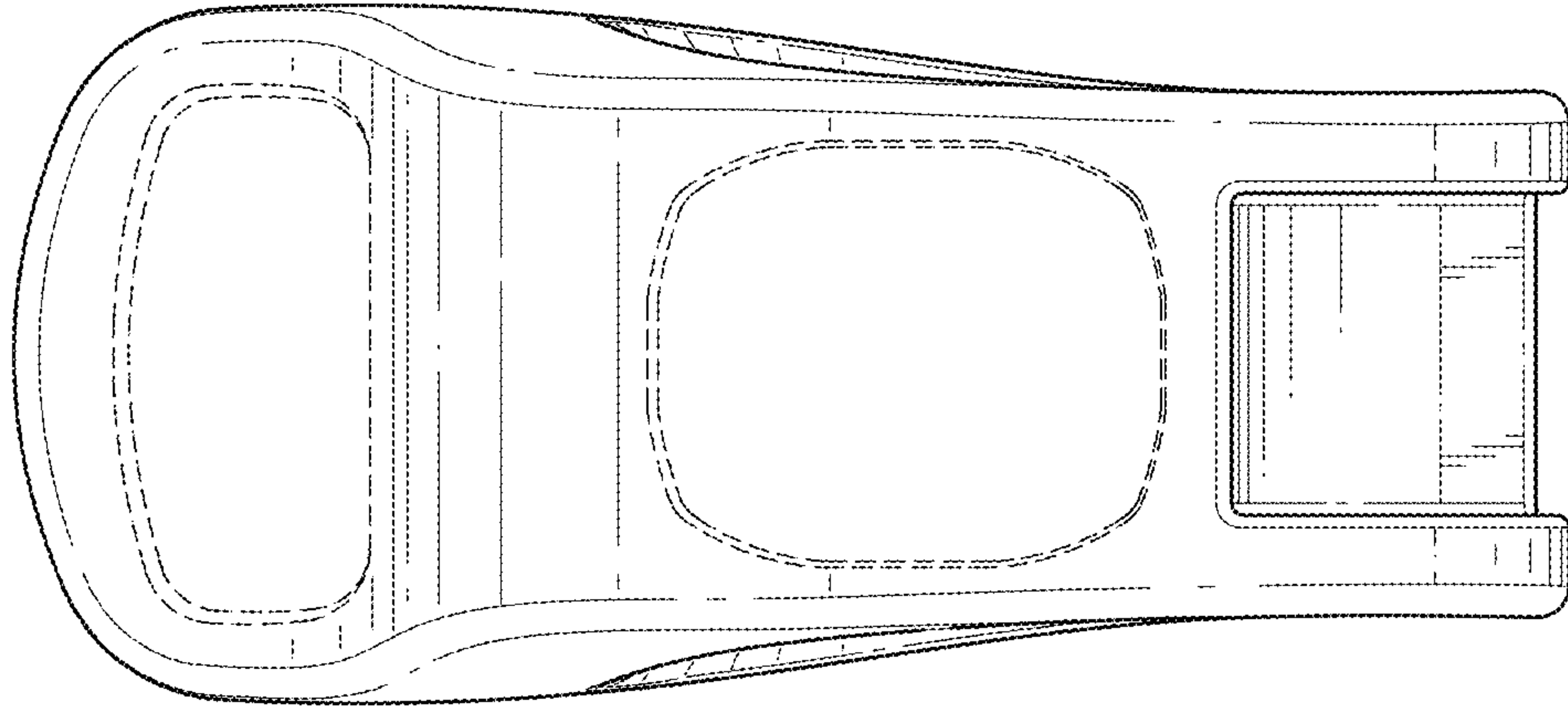


FIG. 8

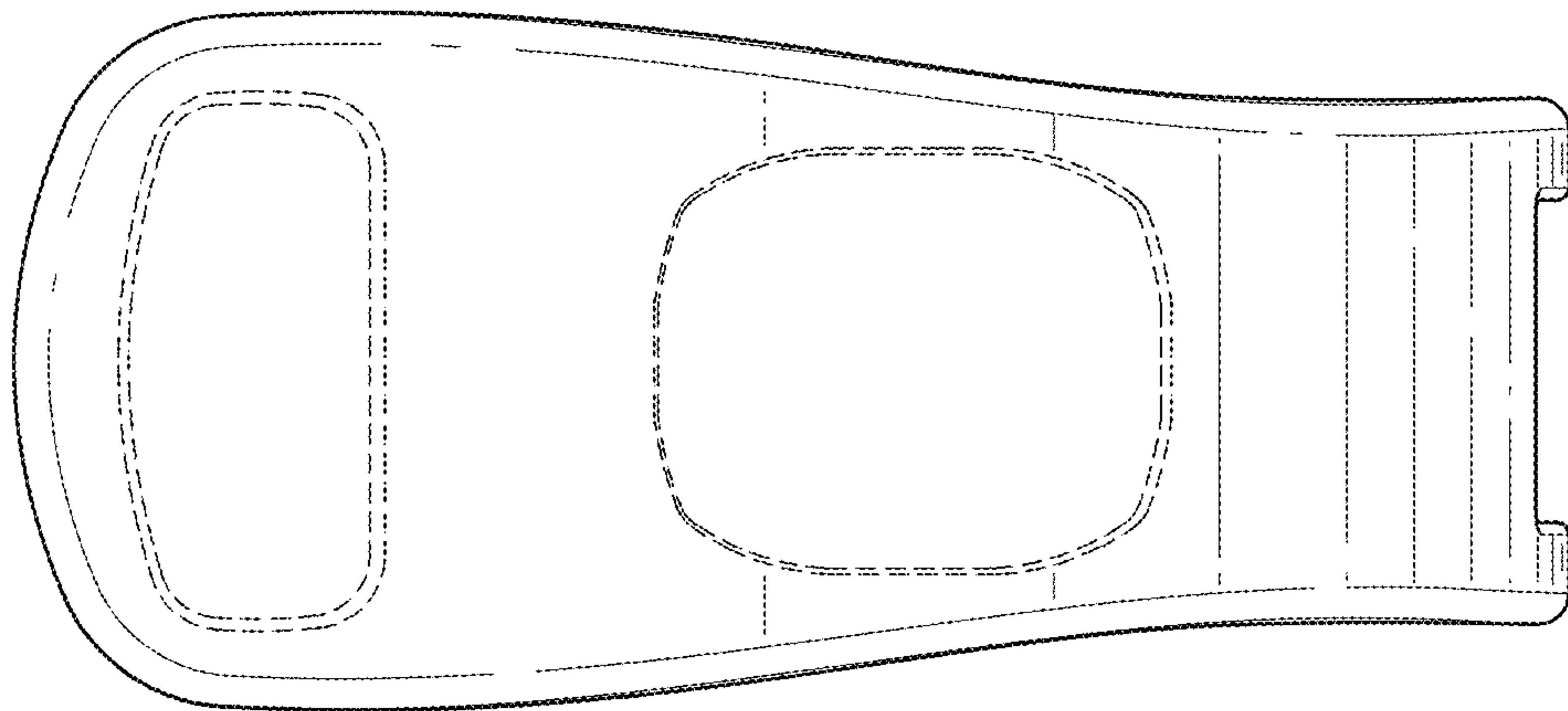


FIG. 9