



US00D809282S

(12) **United States Design Patent** (10) **Patent No.:** **US D809,282 S**
Pucci (45) **Date of Patent:** **** Feb. 6, 2018**

- (54) **CLIP-ON SUNSHADE**
- (71) Applicant: **NDAM, LLC**, Hudson, OH (US)
- (72) Inventor: **Joseph Daniel Pucci**, Hudson, OH (US)
- (73) Assignee: **NDAM, LLC**, Hudson, OH (US)
- (**) Term: **15 Years**
- (21) Appl. No.: **29/575,747**
- (22) Filed: **Aug. 29, 2016**
- (51) **LOC (11) Cl.** **03-03**
- (52) **U.S. Cl.**
USPC **D3/5**
- (58) **Field of Classification Search**
USPC D2/896, 902; D3/5, 7, 8, 10, 11, 13, 14, D3/15, 16, 17, 18, 28; D10/71; D14/416
CPC A45D 42/00; A45D 42/18; A61B 1/24; D04B 3/02; G05G 9/04788
See application file for complete search history.

- (56) **References Cited**
U.S. PATENT DOCUMENTS
1,342,351 A * 6/1920 Roy A45D 42/18 359/860
3,019,710 A * 2/1962 Bean A45D 42/08 359/840
4,257,680 A * 3/1981 Baczkowski A45D 42/00 359/879
4,405,302 A * 9/1983 Lewis A61B 1/247 433/30
D282,014 S * 12/1985 Boyd D6/309
D329,719 S * 9/1992 Carranza D28/64.6
6,173,725 B1 * 1/2001 Garth A47C 7/66 135/117
6,239,928 B1 * 5/2001 Whitehead B60R 1/078 359/871
D465,912 S * 11/2002 Zales D3/5

- D554,850 S * 11/2007 Acosta D3/5
- 2011/0287380 A1 * 11/2011 Lin A61B 1/247 433/30
- 2017/0079517 A1 * 3/2017 Ozcan A61B 1/00006

OTHER PUBLICATIONS

Sun Protector product information; downloaded from <http://www.ecrater.com/p/13405683/sun-protector?gps=1&id=102393842419> on Nov. 7, 2016; 1 page.

(Continued)

Primary Examiner — John Windmuller
Assistant Examiner — Benjamin Weeks
(74) *Attorney, Agent, or Firm* — Ulmer & Berne LLP

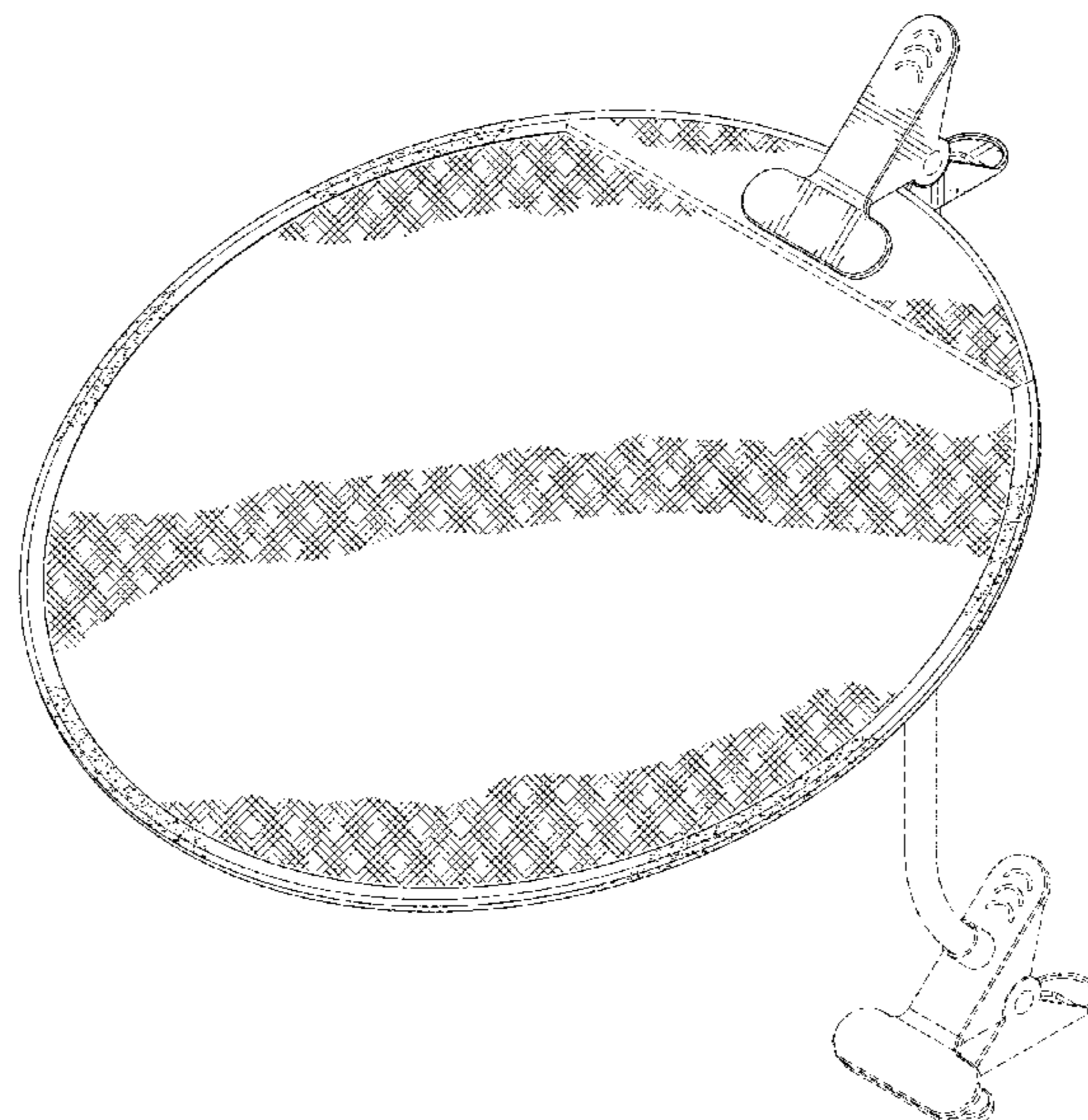
(57) **CLAIM**

The clip-on sunshade, as shown and described.

DESCRIPTION

FIG. 1 is a left front isometric view of the clip-on sunshade; FIG. 2 is a front elevational view of the clip-on sunshade of FIG. 1; FIG. 3 is a rear elevational view of the clip-on sunshade of FIG. 1; FIG. 4 is a left side elevational view of the clip-on sunshade of FIG. 1, the right side elevational view being a mirror image thereof; FIG. 5 is a top plan view of the clip-on sunshade of FIG. 1; FIG. 6 is a bottom plan view of the clip-on sunshade of FIG. 1; and, FIG. 7 is a left rear isometric environmental view of the clip-on sunshade of FIG. 1. The detail shown in broken lines forms no part of the claimed design.

1 Claim, 7 Drawing Sheets



(56)

References Cited

OTHER PUBLICATIONS

Dreambaby Clip on Sun Shade with UV Indicator product information; downloaded from https://www.amazon.com/Dreambaby-Clip-Sun-Shade-Indicator/dp/B003NSAY7A/ref=sr_1_1_a__it?ie=UTF8&qid=1459532052&sr=8-1

&keywords=clip+on+sunshade on Apr. 1, 2016; 2 pages.

Buggygear SunChaser UPF 50 product information; downloaded from https://www.amazon.com/gp/product/B00N7QNRR2/ref=s9_simh_gw_g75_i1_r?ie=UTF8&fpl=fresh&pf_rd_m=ATVPDKIKX0DER&pf_rd_s=desktop-1&pf_rd_r=1B60NH8PCD5FB0KEKFR7&pf_rd_t=36701&pf_rd_p=2437869742&pf_rd_i=desktop&th=1

on Apr. 1, 2016; 2 pages.

* cited by examiner

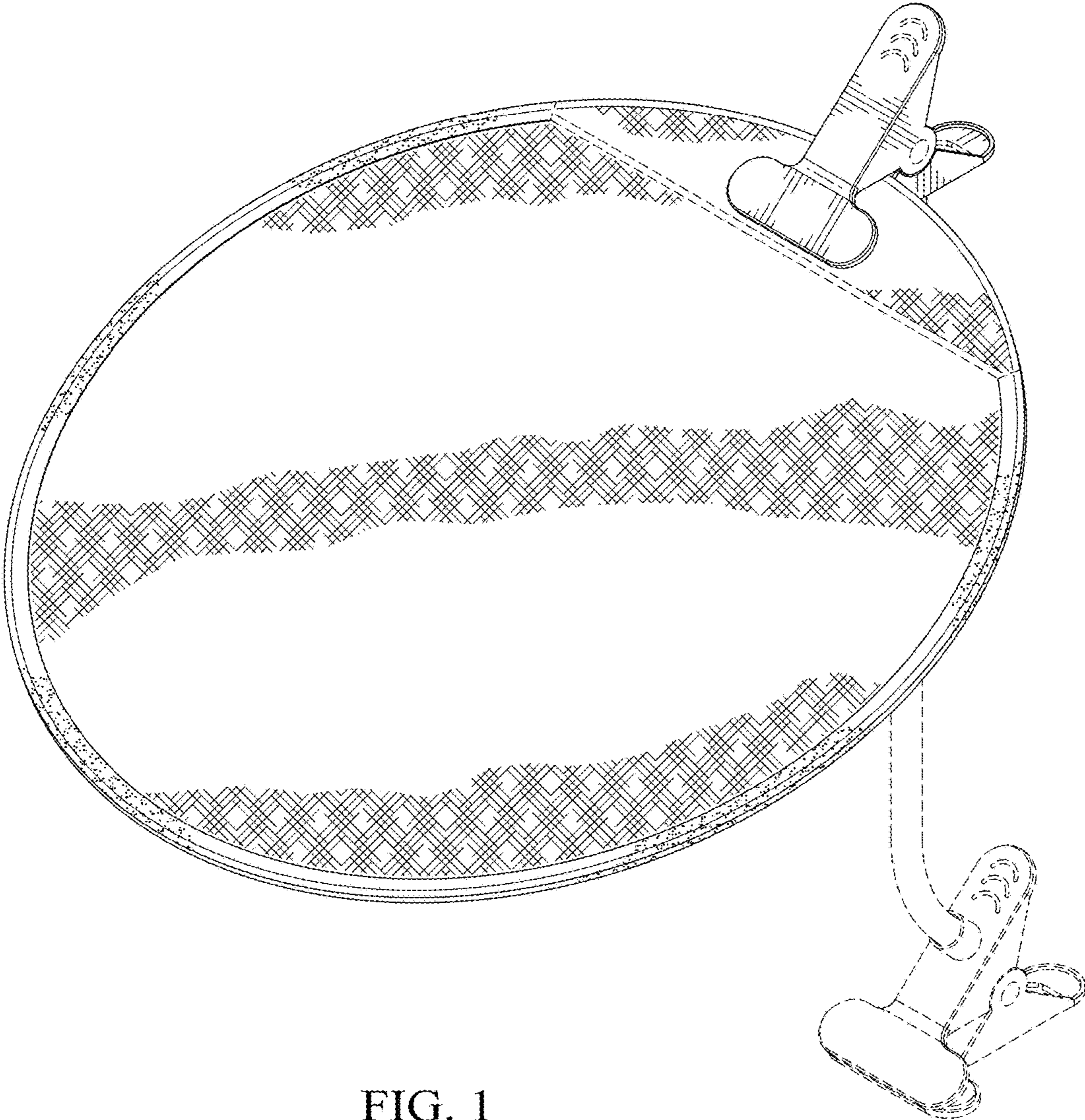


FIG. 1

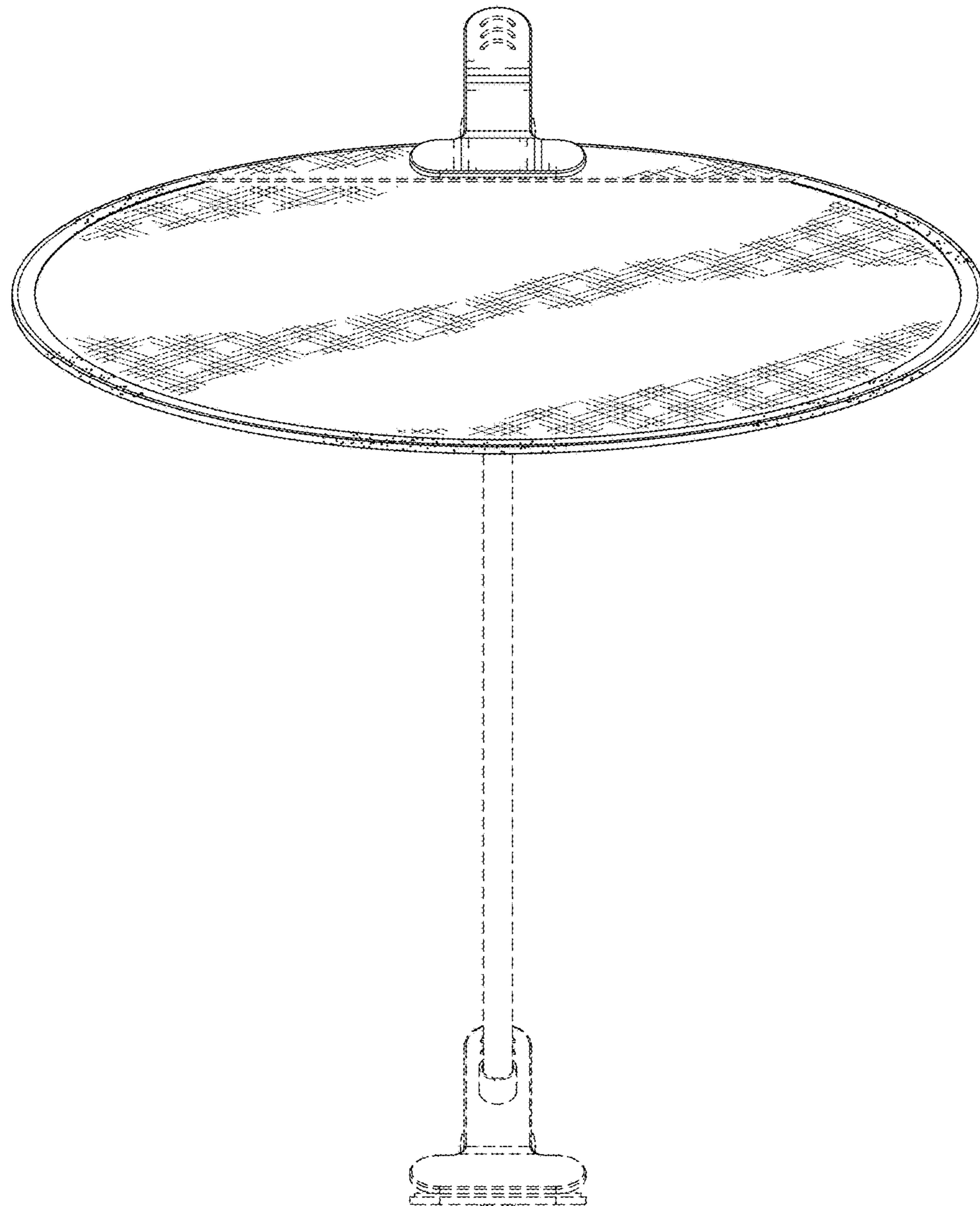


FIG. 2

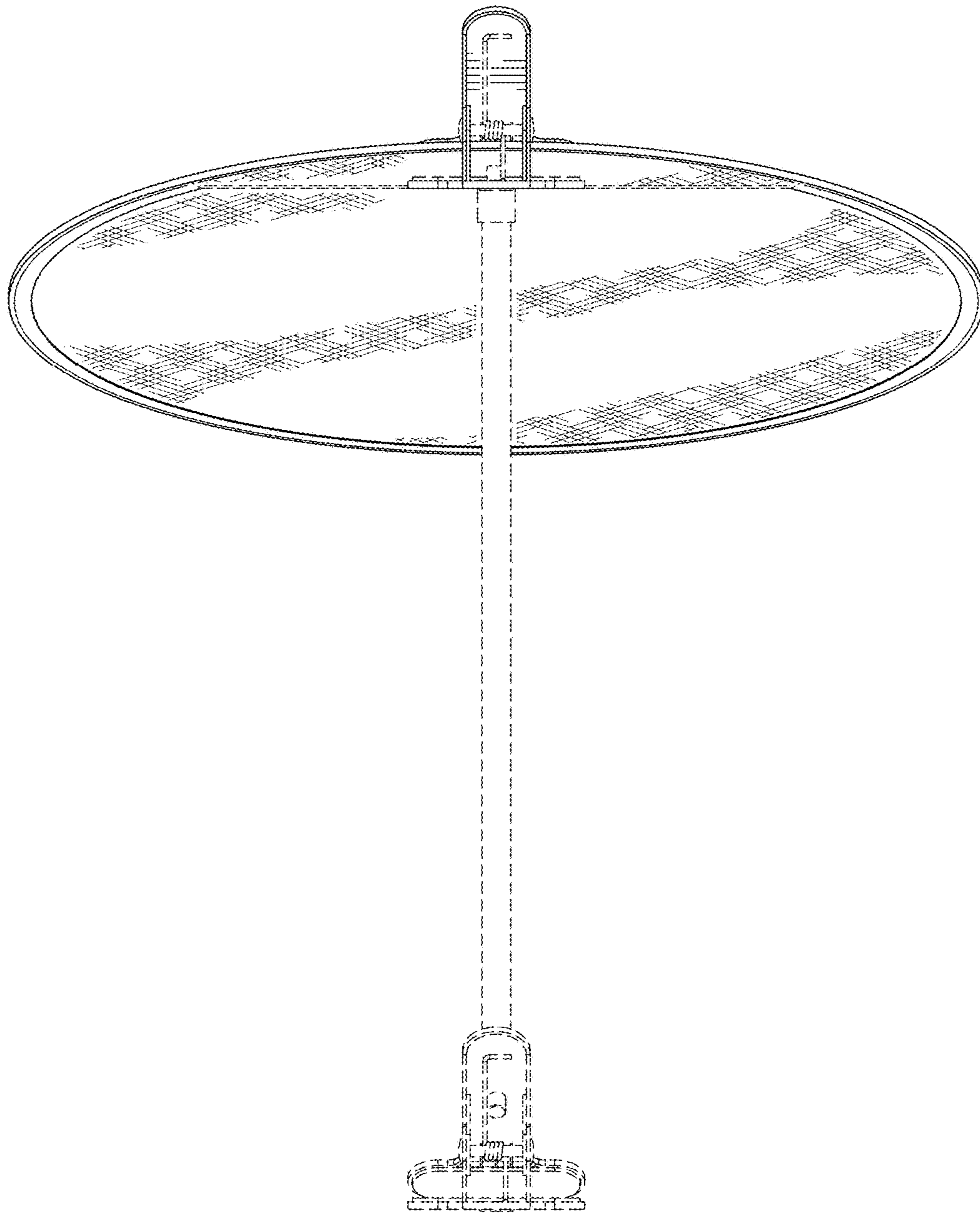


FIG. 3

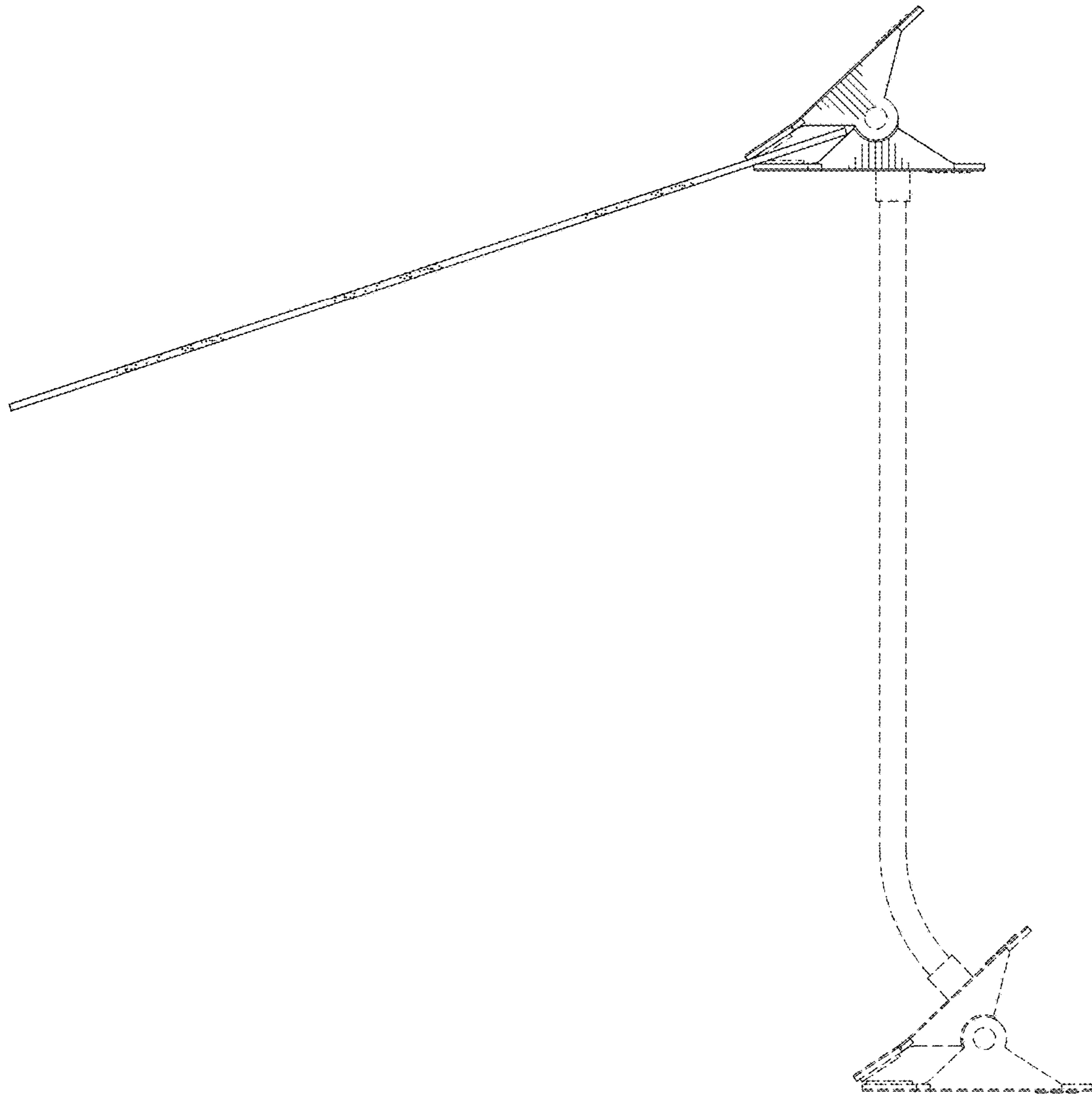


FIG. 4

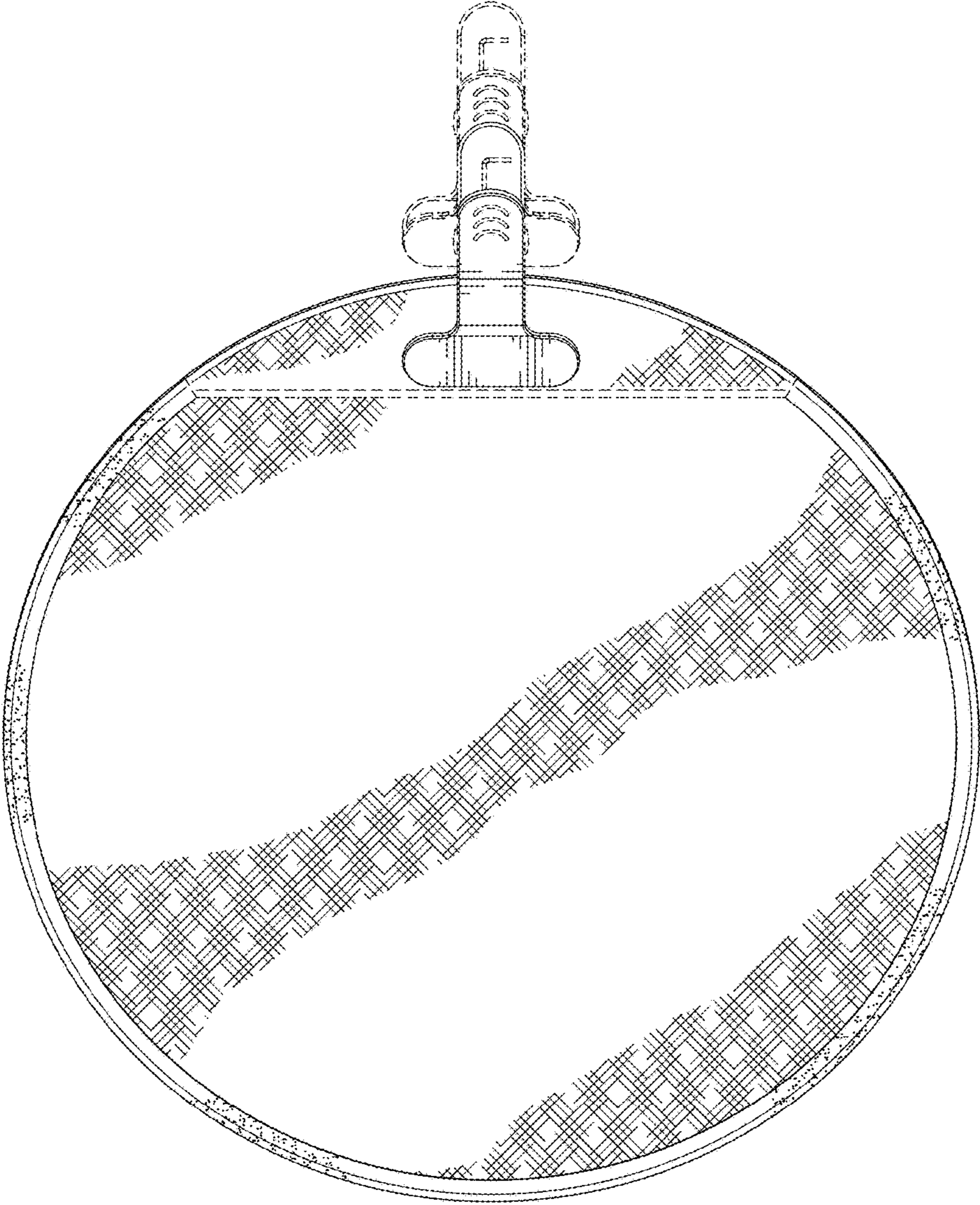


FIG. 5

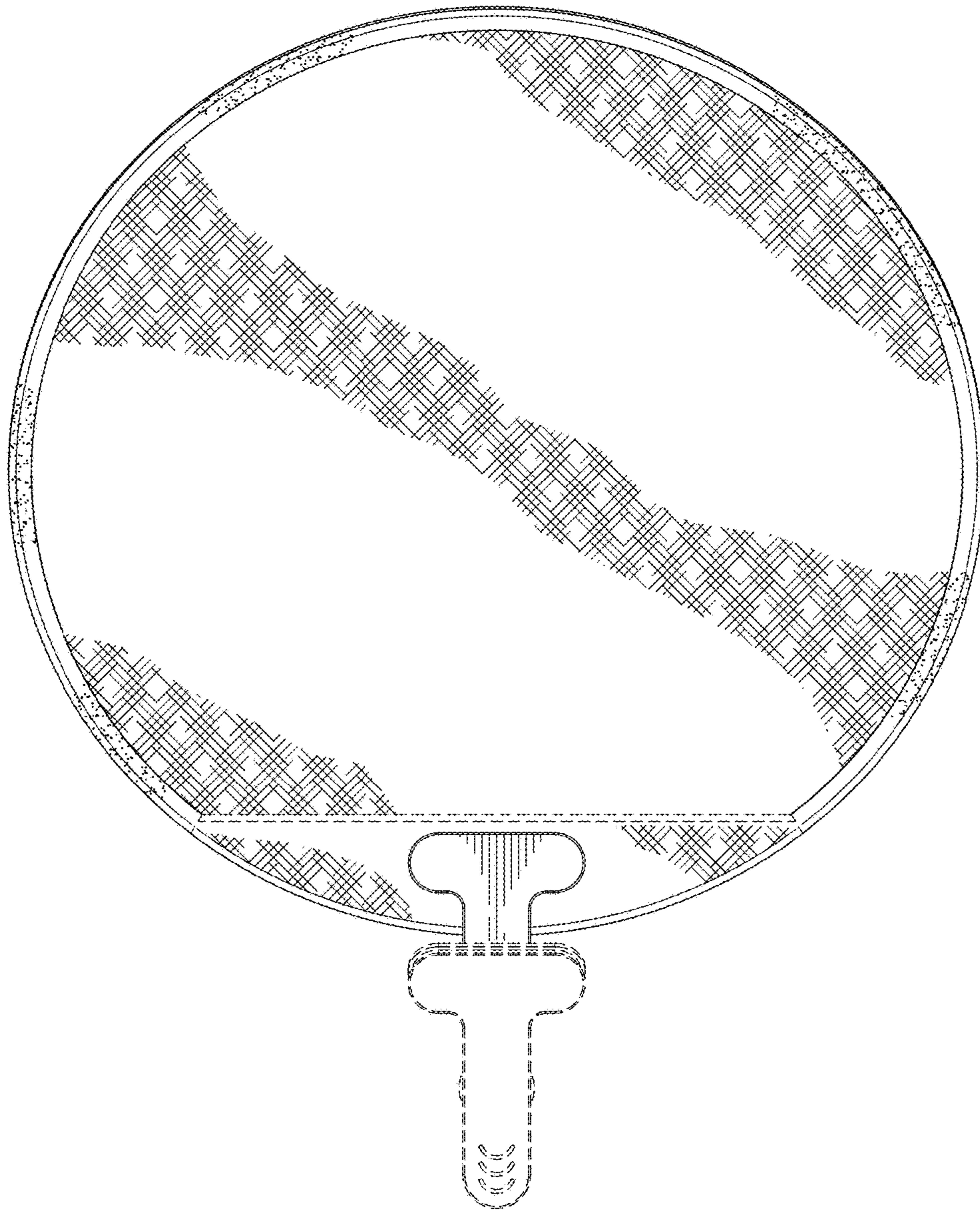


FIG. 6

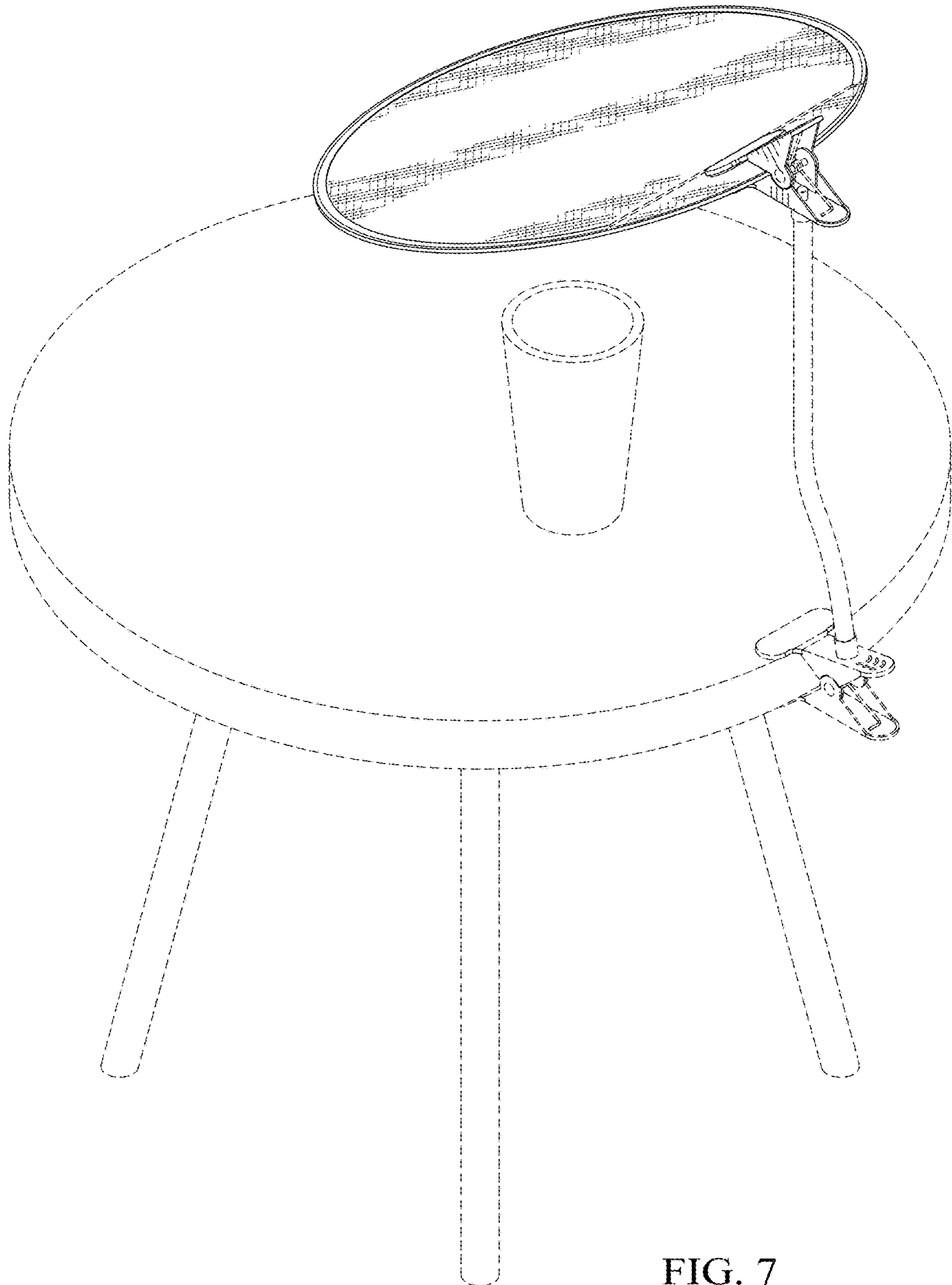


FIG. 7