



US00D809277S

(12) **United States Design Patent** (10) **Patent No.:** **US D809,277 S**
Wright (45) **Date of Patent:** **** Feb. 6, 2018**

(54) **SHOE UPPER**
(71) Applicant: **NIKE, Inc.**, Beaverton, OR (US)
(72) Inventor: **Ronald W. Wright**, Vancouver, WA (US)
(73) Assignee: **NIKE, Inc.**, Beaverton, OR (US)
(**) Term: **15 Years**
(21) Appl. No.: **29/593,747**
(22) Filed: **Feb. 13, 2017**
(51) **LOC (11) Cl.** **02-99**
(52) **U.S. Cl.**
USPC **D2/972**
(58) **Field of Classification Search**
USPC D2/902, 906-908, 923, 944, 969,
D2/971-974; D5/47, 49, 54
CPC ... A43B 13/181; A43B 13/141; A43B 13/186;
A43B 13/188; A43B 23/00; A43B 23/02;
A43B 5/00; A43B 23/26; A43B 1/04;
A43B 11/14; A43B 7/00; A43B 3/12;
A43C 13/14
See application file for complete search history.

D682,526 S 5/2013 Link
D750,881 S * 3/2016 Hardman D2/972
D771,932 S 11/2016 Little
D776,420 S * 1/2017 Petrie D2/977
D793,709 S * 8/2017 Remy D2/972
D796,830 S * 9/2017 de Montgolfier D2/972

OTHER PUBLICATIONS

Nike Zoom Lebron II [online], [retrieved Feb. 7, 2017], Retrieved from Internet <URL: <http://sneakernews.com/nike-zoom-lebron-ii-2>>; 3 color sheets, Date unknown but prior to Feb. 1, 2017.
Always Believe (showing pictures of Nike Zoom Lebrun Soldier 10) [online], [retrieved Feb. 9, 2017], Retrieved from Internet <URL: http://news.nike.com/news/lebron_solidier_10_id>; 1 color sheet, Dated Jun. 19, 2016.
First Look Lebron 14 [online], [retrieved Feb. 9, 2017], Retrieved from Internet <URL: <http://news.nike.com/news/lebron-14>>; 2 color sheets, Dated Dec. 25, 2016.

* cited by examiner

Primary Examiner — Dominic V Simone
(74) *Attorney, Agent, or Firm* — Banner & Witcoff, Ltd.

(57) **CLAIM**

The ornamental design for a shoe upper, as shown and described.

DESCRIPTION

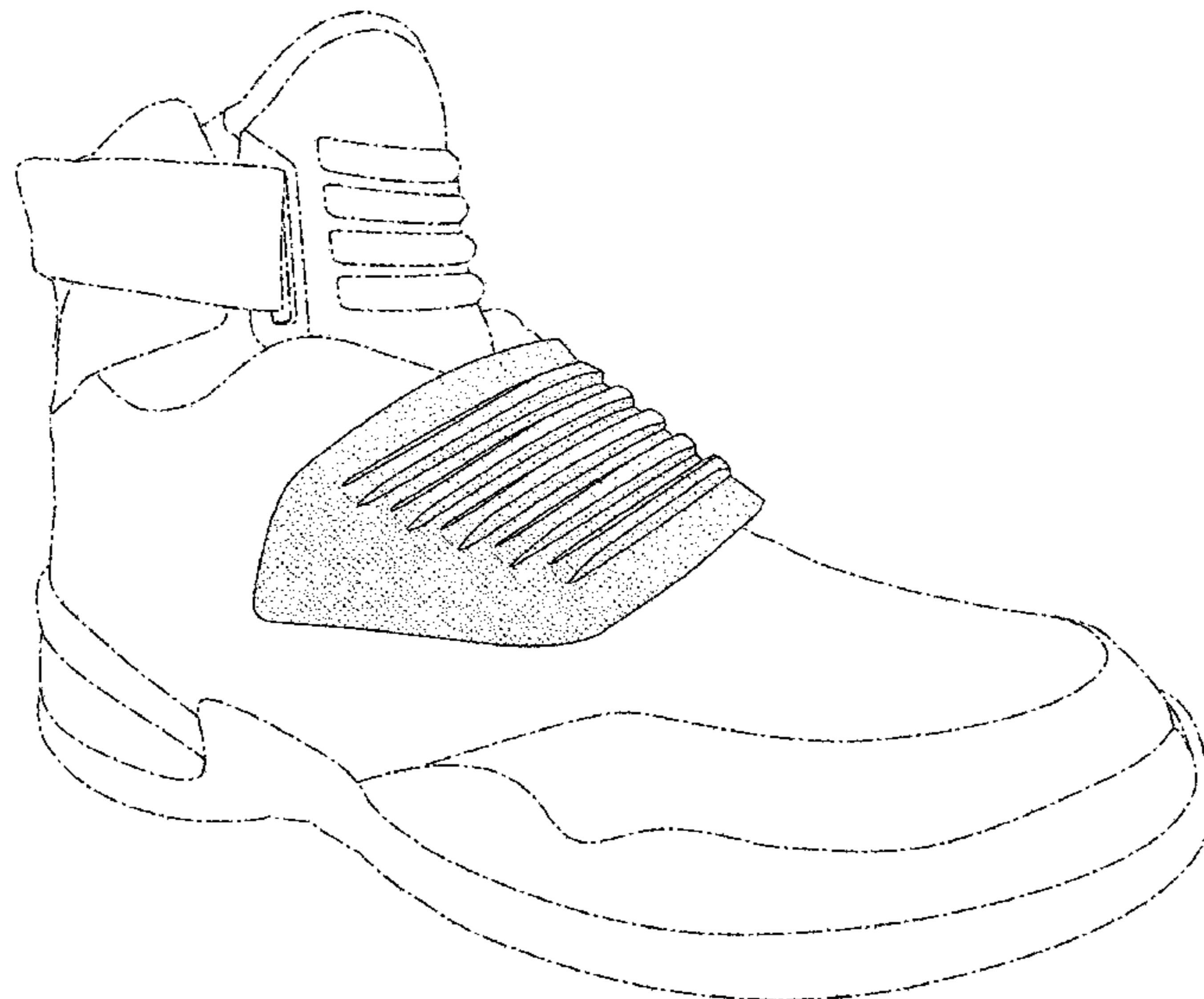
FIG. 1 is a front perspective view of a shoe upper showing my new design;
FIG. 2 is a lateral side perspective view thereof;
FIG. 3 is a medial side perspective view thereof;
FIG. 4 is a front view thereof; and,
FIG. 5 is a top view thereof.
The broken lines showing the remainder of the shoe represent unclaimed subject matter and form no part of the claimed design.

1 Claim, 5 Drawing Sheets

(56) **References Cited**

U.S. PATENT DOCUMENTS

2,079,237 A * 5/1937 Allard A43C 13/14
118/40
D339,446 S 9/1993 Teague
D485,976 S * 2/2004 Maatita D2/973
D487,186 S * 3/2004 Maatita D2/972
D511,884 S * 11/2005 Hatfield D2/972
D513,850 S * 1/2006 Alfaro D2/972
D544,689 S 6/2007 Link
D576,382 S * 9/2008 Hickman 2/902
D596,383 S * 7/2009 Morris 2/907
D598,188 S * 8/2009 Walton D2/969
D649,757 S * 12/2011 Walton D2/969



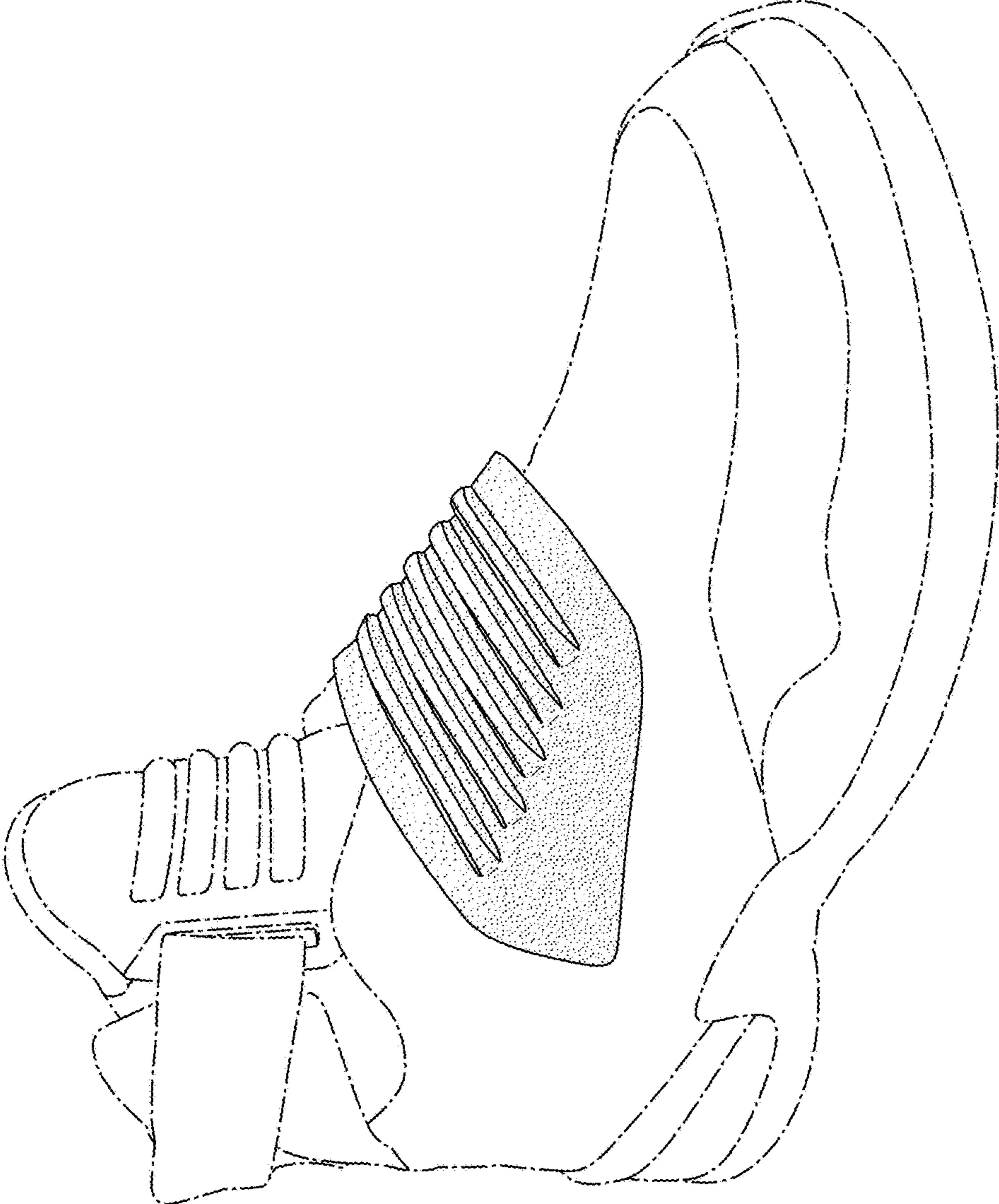


FIG. 1

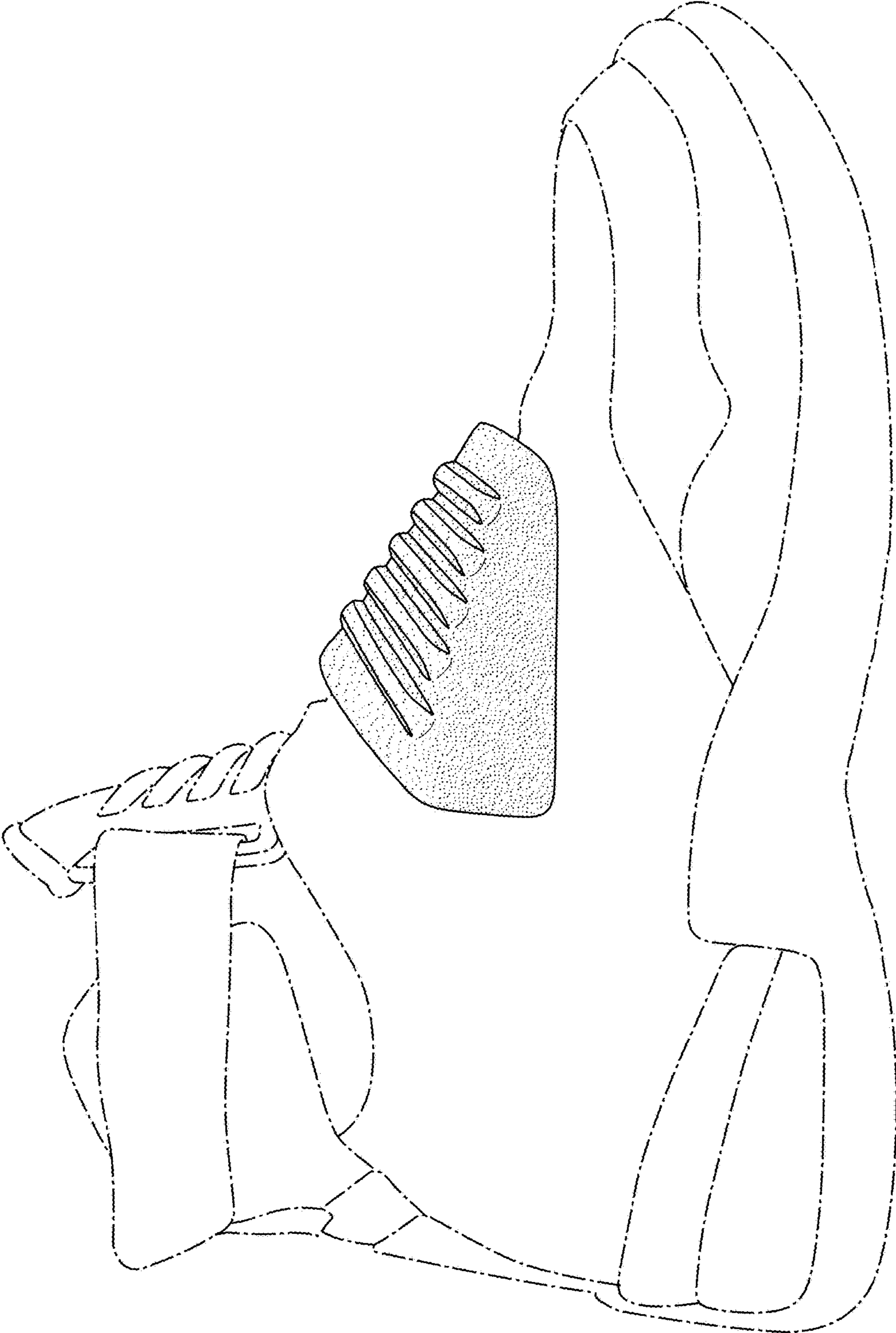


FIG. 2

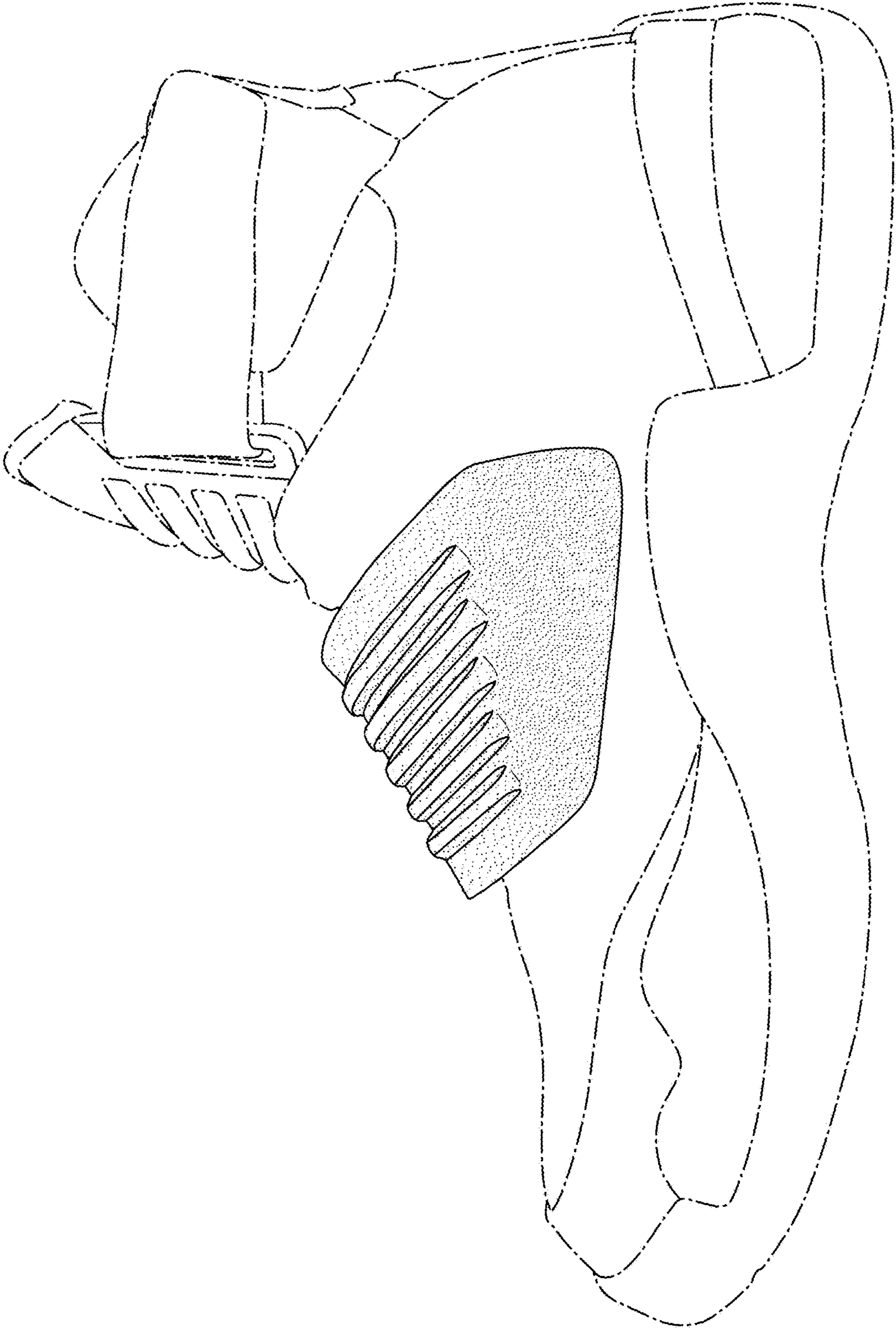


FIG. 3

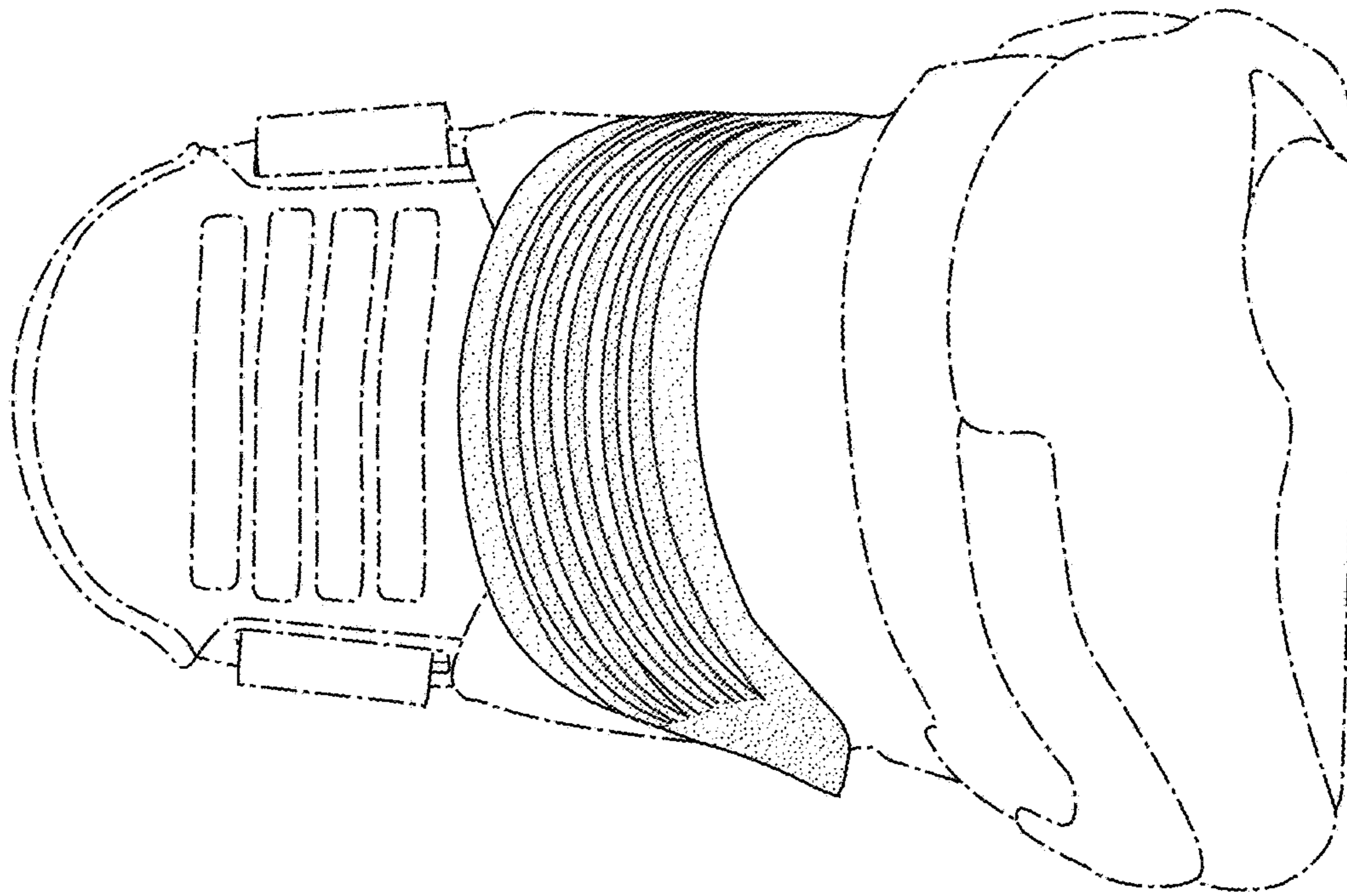


FIG. 4

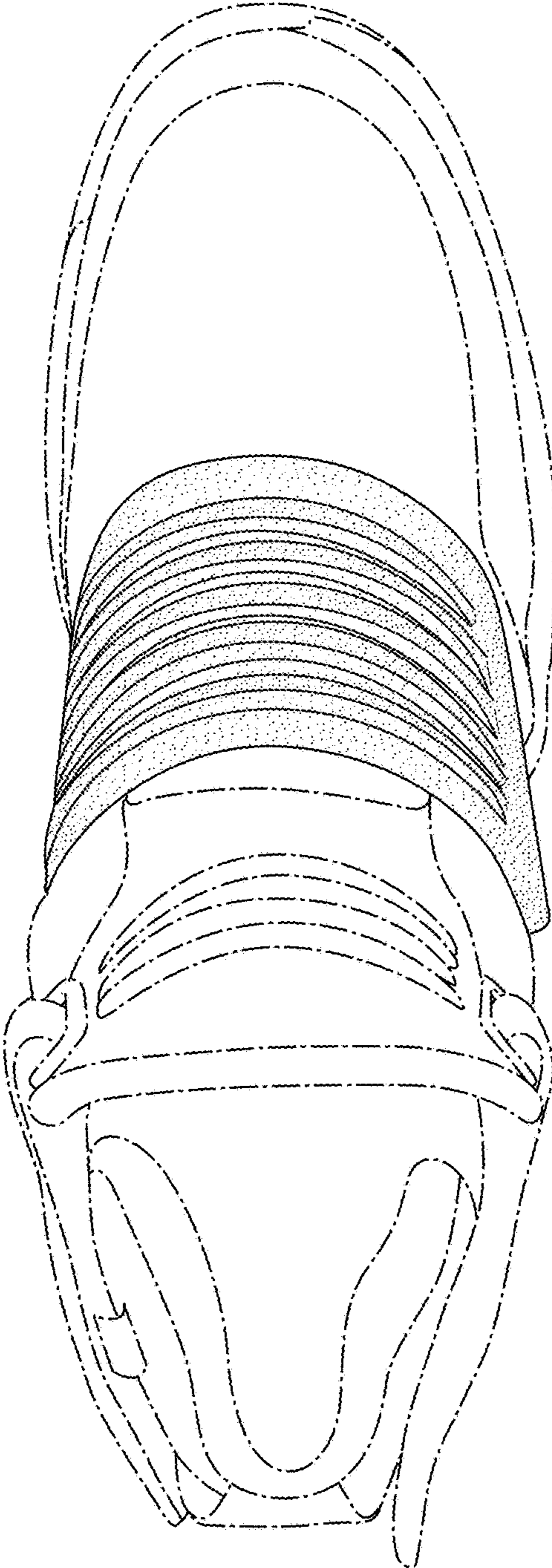


FIG. 5