



US00D809255S

(12) **United States Design Patent**
Warner

(10) **Patent No.:** **US D809,255 S**
(45) **Date of Patent:** **** Feb. 6, 2018**

(54) **FOOTWEAR ATTACHMENT FOR SPORTS**
(71) Applicant: **Jerald R. Warner**, Pleasant Hill, OH (US)
(72) Inventor: **Jerald R. Warner**, Pleasant Hill, OH (US)
(**) Term: **15 Years**
(21) Appl. No.: **29/576,411**
(22) Filed: **Sep. 2, 2016**
(51) **LOC (11) Cl.** **02-04**
(52) **U.S. Cl.**
USPC **D2/946**
(58) **Field of Classification Search**
USPC D2/901, 909–911, 915, 944, 946,
D2/976–979, 999; D24/190–192;
D29/121.2
CPC A43B 23/081; A43B 23/086; A43B 23/28;
A43B 23/30; A43B 5/00; A43B 5/008;
A43B 5/02; A43B 5/25; A43B 2/0405;
A43B 7/145; A61F 5/0113; A61F 5/0116;
A61F 5/0193; A61F 5/0195
See application file for complete search history.

3,851,410 A * 12/1974 Frazier A43B 5/18
36/133
D341,865 S * 11/1993 Humphreys D21/733
5,301,442 A * 4/1994 Williams A43B 5/001
36/127
5,339,542 A * 8/1994 Kim A43B 5/18
36/132
5,433,437 A * 7/1995 Dudley A63B 69/002
36/139
5,472,200 A * 12/1995 Miller A43B 5/001
36/133
D456,596 S * 5/2002 Hannah A43B 5/025
D2/946
6,886,275 B1 * 5/2005 Westfall A43B 3/20
36/128
7,313,842 B1 * 1/2008 Preciado A43B 3/00
15/105
D566,217 S * 4/2008 Carter D21/789

* cited by examiner

Primary Examiner — Celia Murphy
Assistant Examiner — Clare Ann Gannon
(74) *Attorney, Agent, or Firm* — Miskin & Tsui-Yip LLP;
Gloria Tsui-Yip

(57) **CLAIM**

The ornamental design for a footwear attachment for sports, as shown and described.

(56) **References Cited**

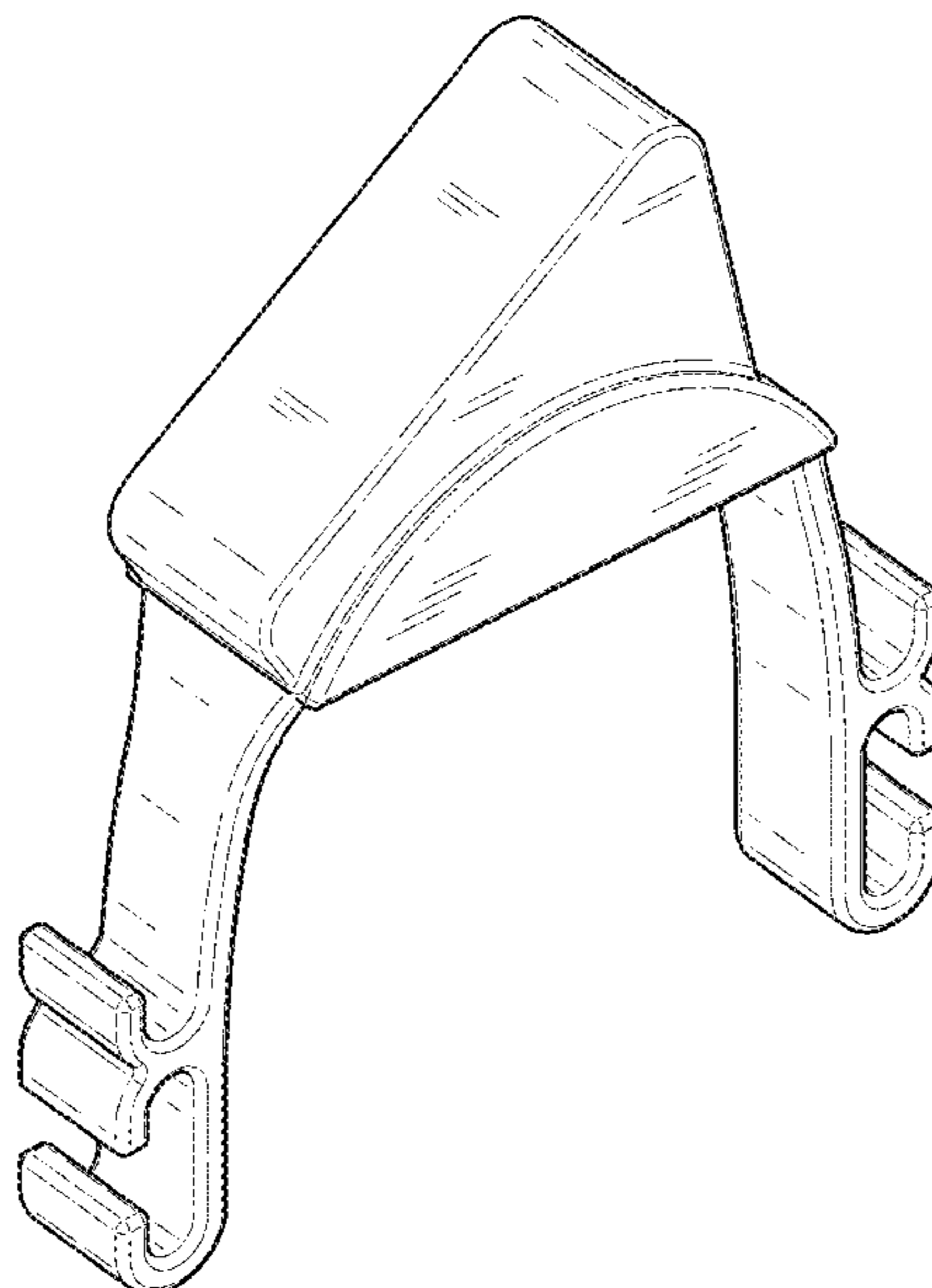
U.S. PATENT DOCUMENTS

1,260,888 A * 3/1918 Farley A43B 3/20
12/142 EV
2,220,291 A * 11/1940 Savoy A63B 65/127
36/127
2,269,357 A * 1/1942 Dent A63B 59/00
473/412
2,782,531 A * 2/1957 Frazier A43B 5/02
36/128
3,501,144 A * 3/1970 Schmidt A63B 67/00
273/440

DESCRIPTION

FIG. 1 is a front elevational view of my new design;
FIG. 2 is a top plan view thereof;
FIG. 3 is a rear elevational view thereof;
FIG. 4 is a bottom plan view thereof;
FIG. 5 is a left side view thereof;
FIG. 6 is a right side view thereof;
FIG. 7 is a perspective view thereof; and,
FIG. 8 is another perspective view thereof.

1 Claim, 5 Drawing Sheets



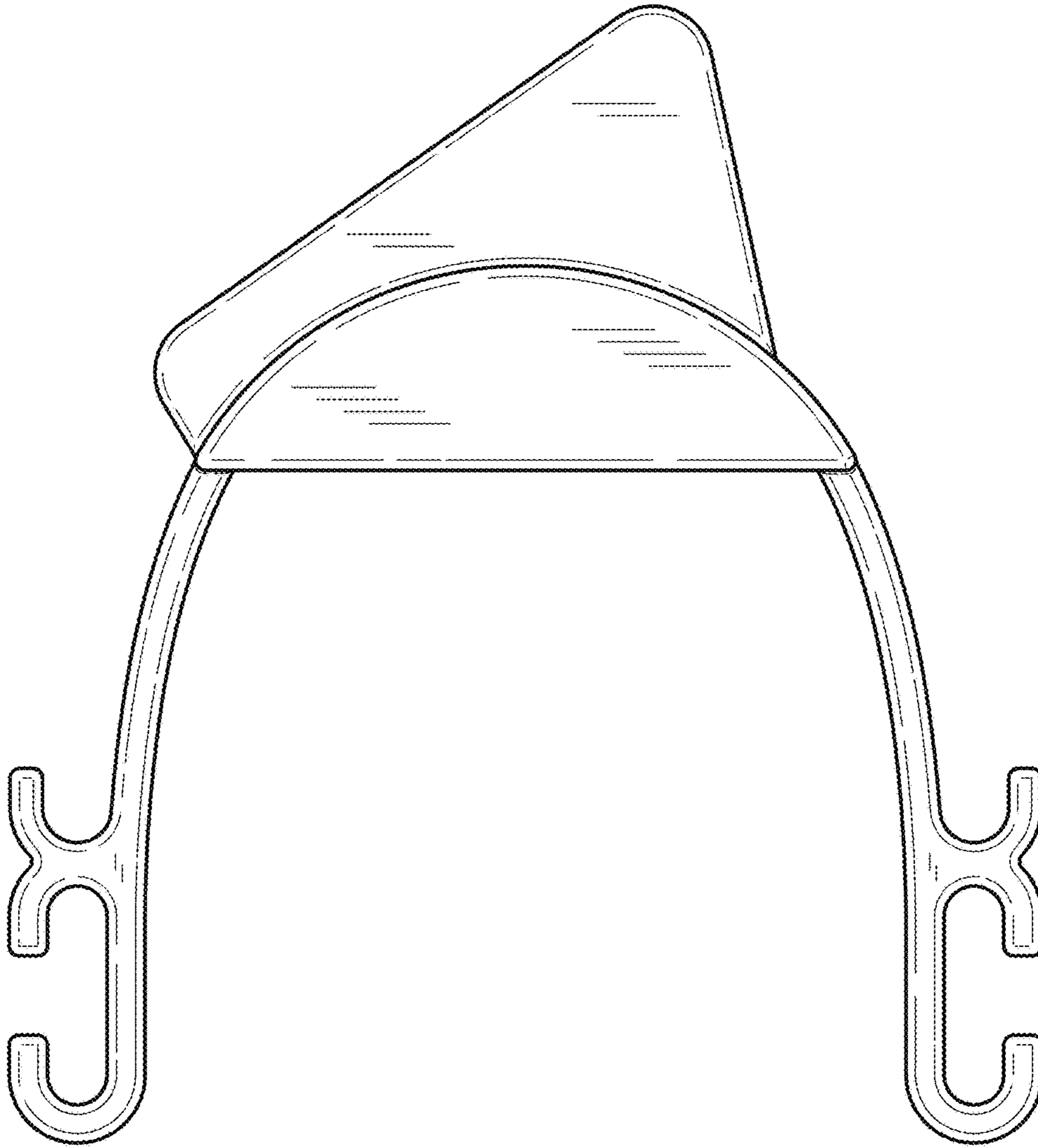


Fig.1

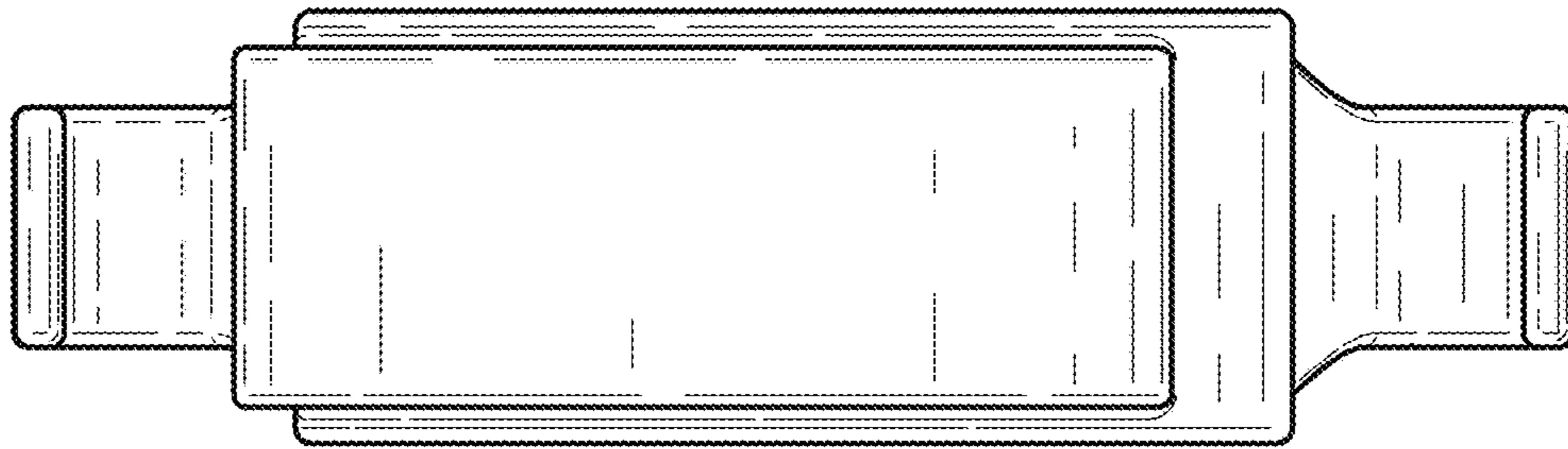


Fig.2

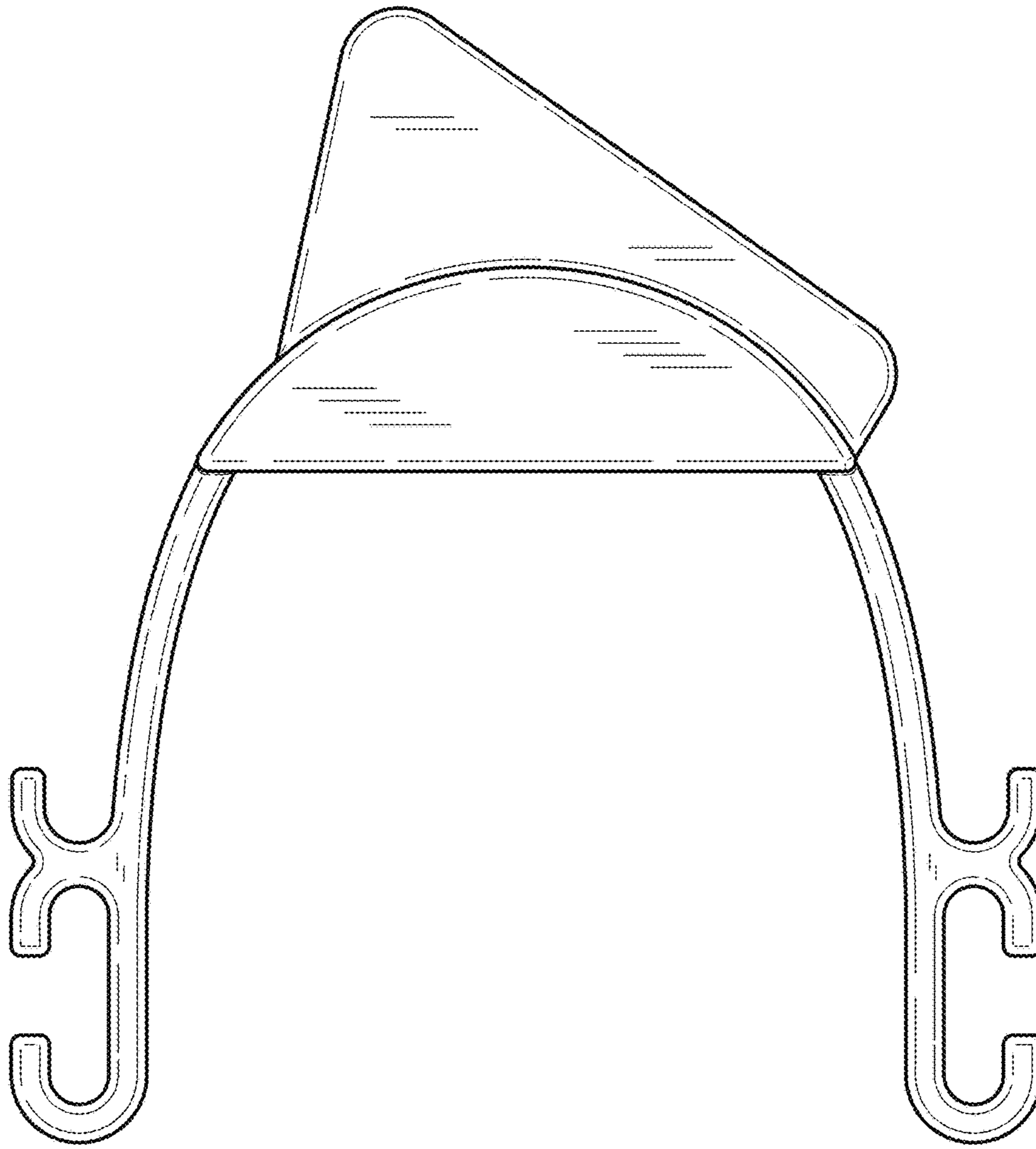


Fig.3

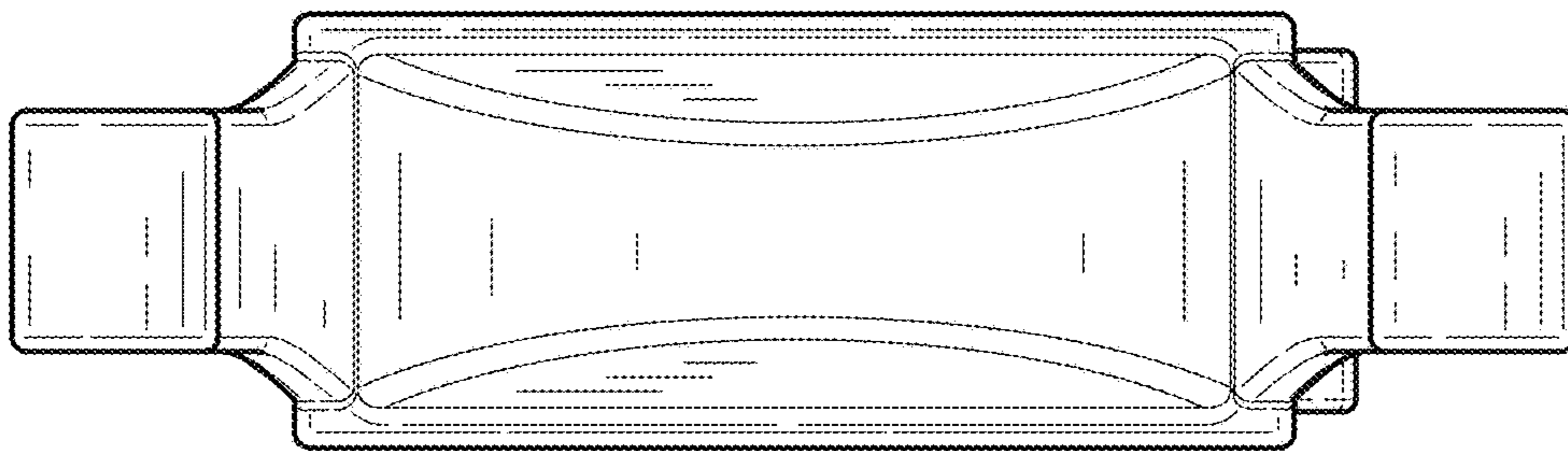


Fig.4

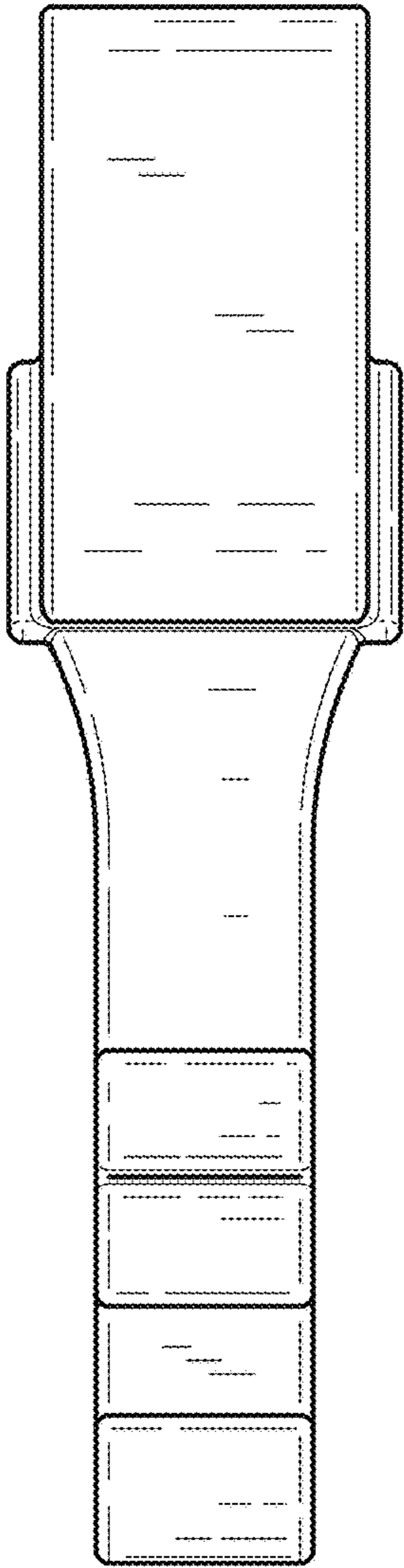


Fig.5

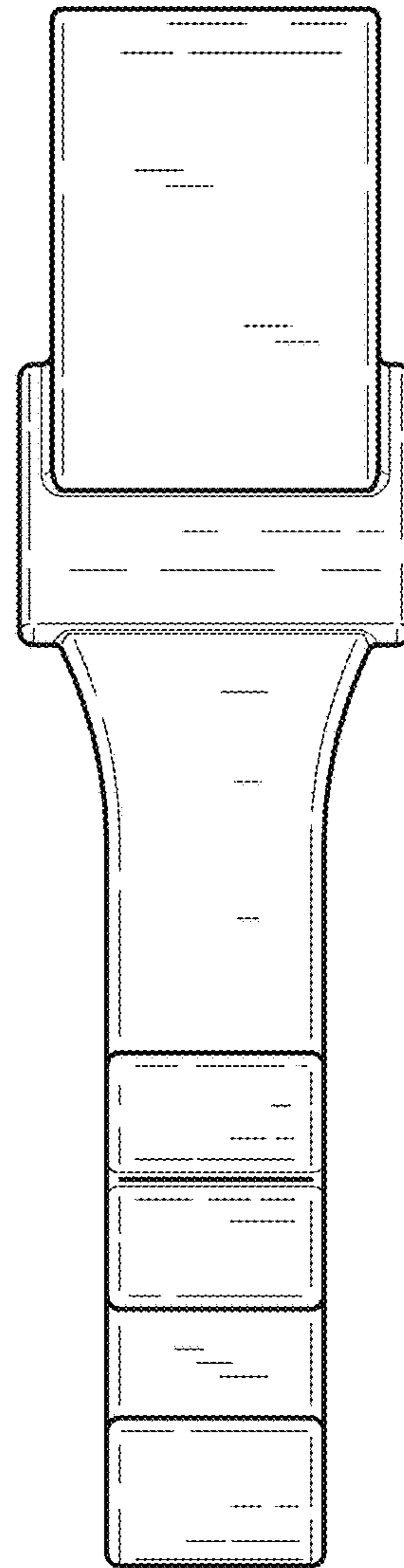


Fig.6

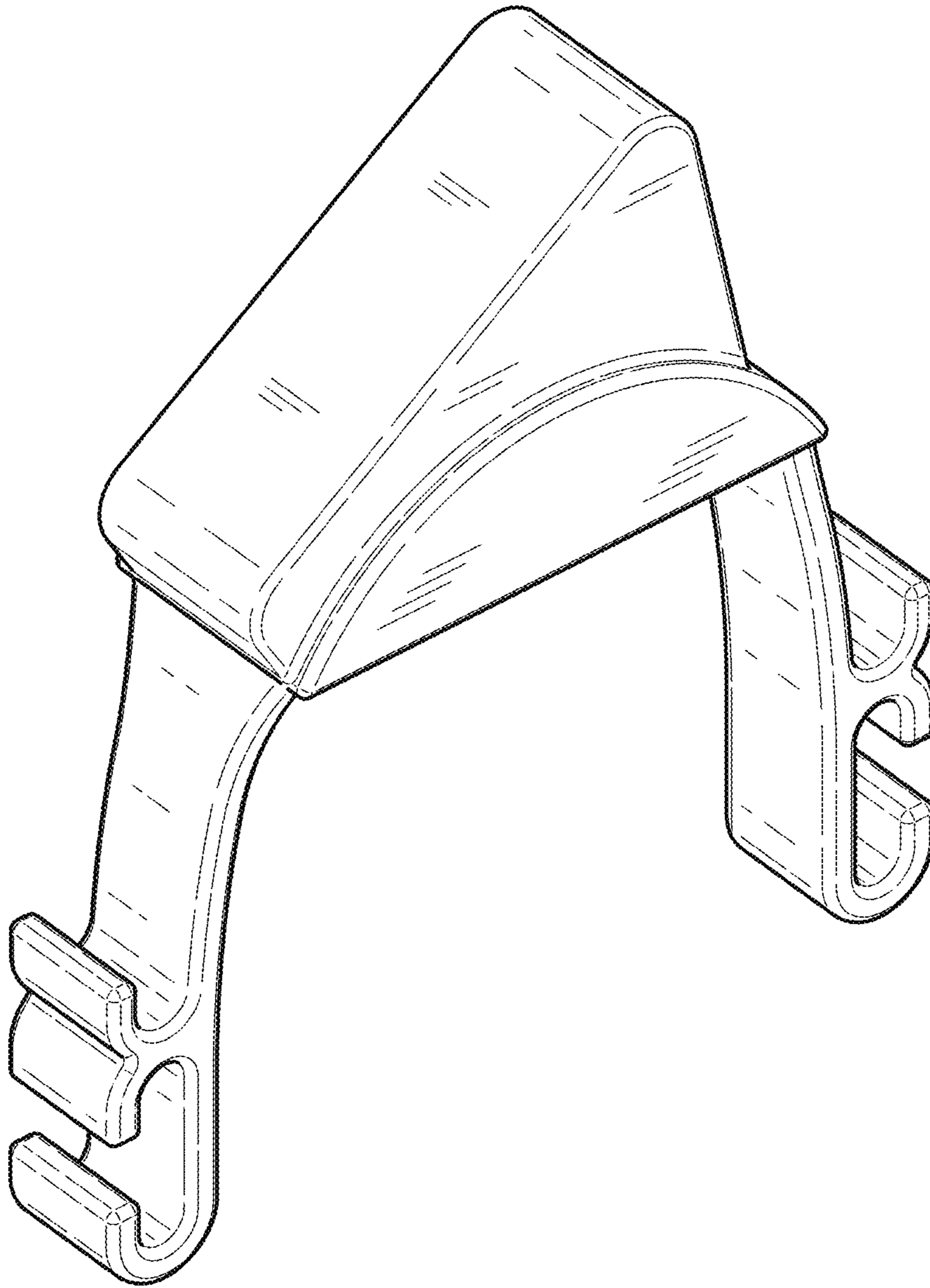


Fig.7

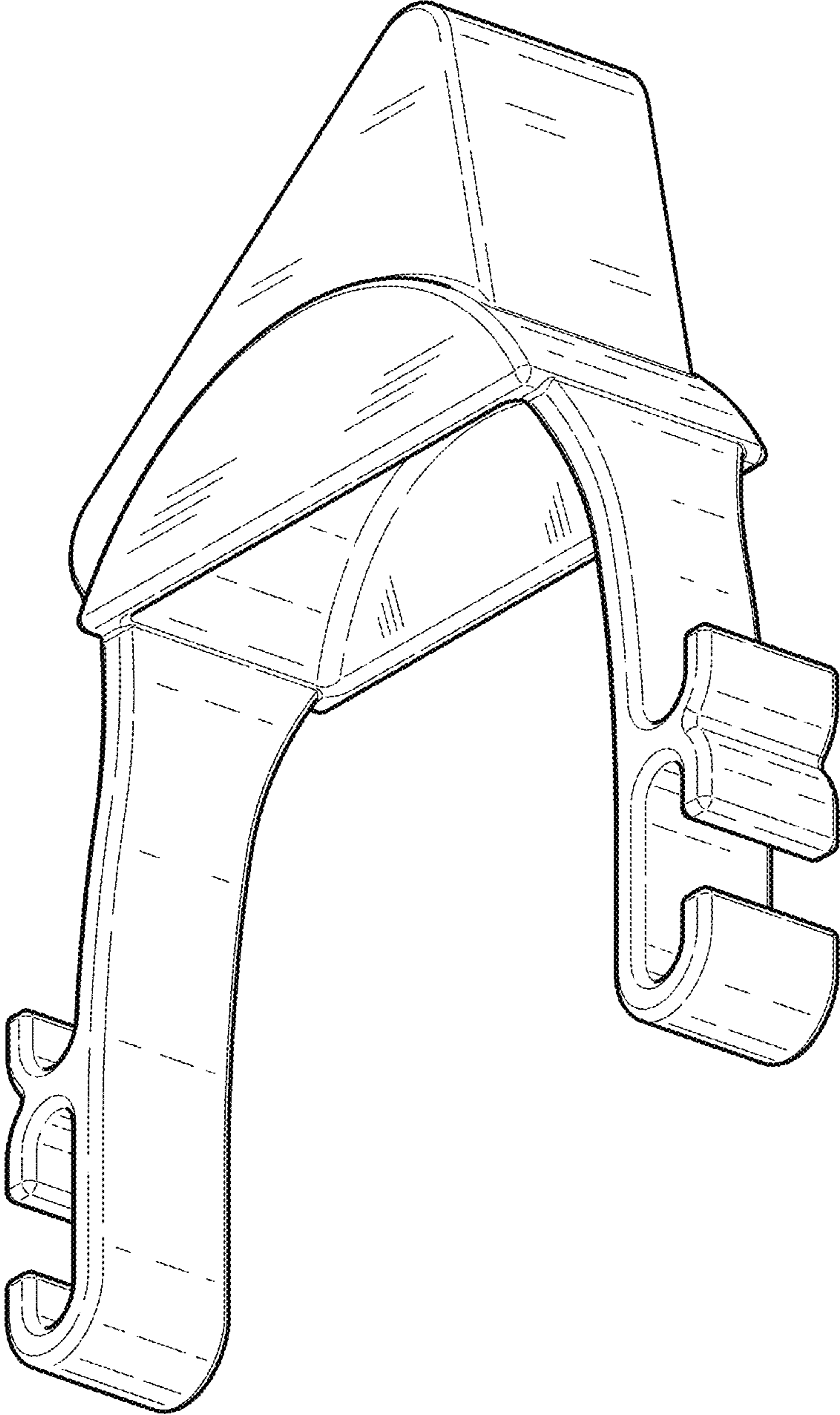


Fig.8