



US00D809249S

(12) **United States Design Patent** (10) **Patent No.:** **US D809,249 S**
Hanosek (45) **Date of Patent:** **** Feb. 6, 2018**

(54) **CHILD'S GARMENT**
(71) Applicant: **LBP Concepts LLC**, Upper Arlington, OH (US)
(72) Inventor: **Cary Hanosek**, Upper Arlington, OH (US)

(**) Term: **15 Years**

(21) Appl. No.: **29/581,736**

(22) Filed: **Oct. 21, 2016**

(51) **LOC (11) Cl.** **02-02**

(52) **U.S. Cl.**
USPC **D2/743**

(58) **Field of Classification Search**
USPC D2/731-734, 728, 742-746, 712-714, D2/718-719; 2/74, 69.5, 73, 80, 111
CPC A41D 1/00; A41B 1/00; A41B 1/04; A41B 1/06; A41B 13/00; A41B 13/08; A41B 2300/00; A41B 9/007; A41B 9/06
See application file for complete search history.

(56) **References Cited**

U.S. PATENT DOCUMENTS

D512,205 S	*	12/2005	Alexander	D2/841
D582,126 S	*	12/2008	Lesperance	D2/745
D598,176 S	*	8/2009	Tawil	D2/713
D656,709 S	*	4/2012	Richards	D2/713
D692,209 S	*	10/2013	Dragu	D2/745
D710,571 S	*	8/2014	James	D2/745
D741,046 S	*	10/2015	Pelekanou	D2/745
D742,097 S	*	11/2015	Dunn	D2/745

D798,543 S	*	10/2017	Hanosek	D2/745
D798,544 S	*	10/2017	Hanosek	D2/745
2008/0250541 A1	*	10/2008	Chen	A41B 13/08 2/49.1
2014/0123363 A1	*	5/2014	Templeton	A41B 13/08 2/69
2014/0250558 A1	*	9/2014	Russo	A41B 13/10 2/49.4

* cited by examiner

Primary Examiner — Eric L Goodman

Assistant Examiner — Amy C Wierenga

(74) *Attorney, Agent, or Firm* — Dunham IP Law LLC; Tyler S. Dunham

(57) **CLAIM**

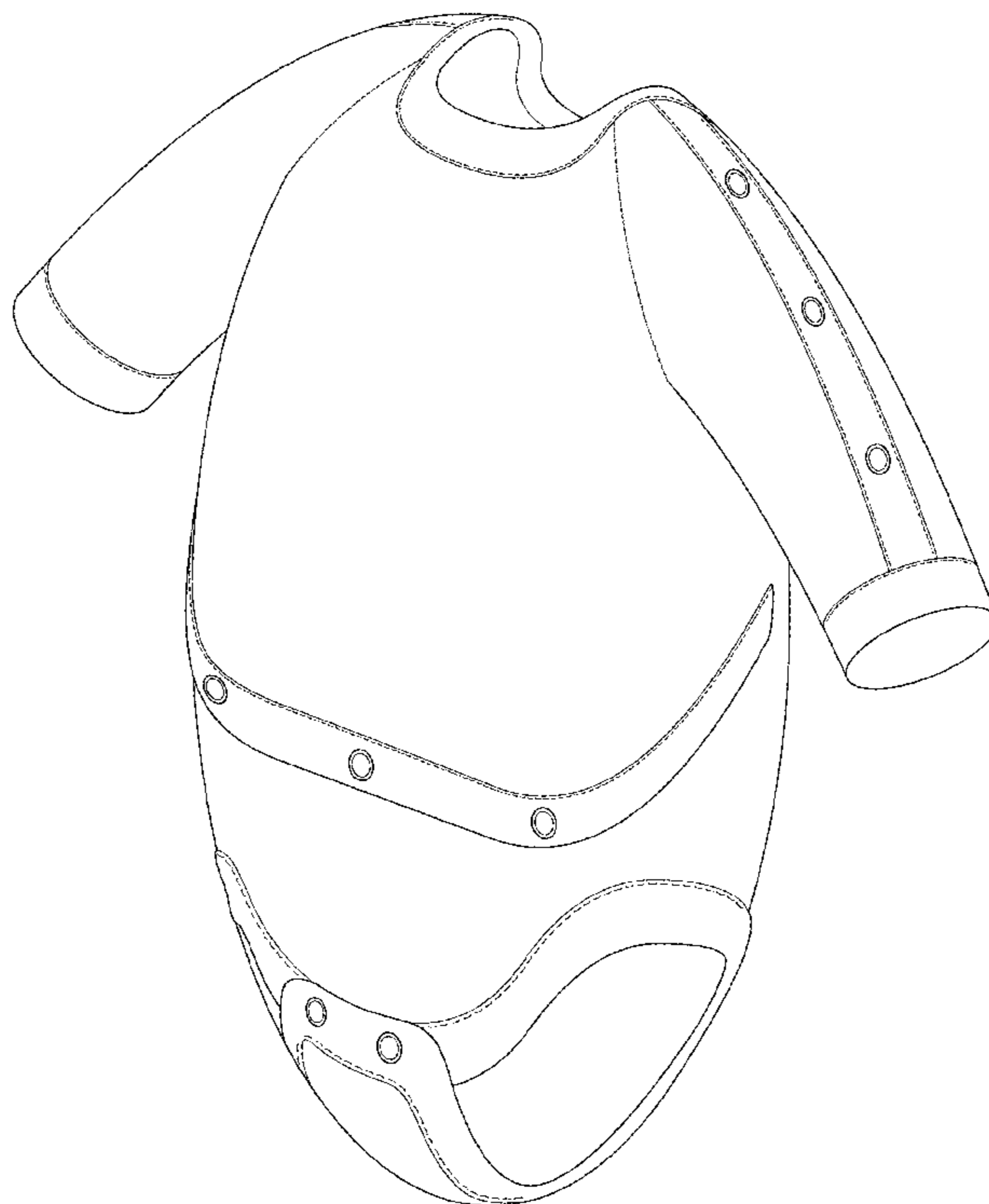
The ornamental design for a child's garment, as shown and described.

DESCRIPTION

FIG. 1 is a front perspective view of the child's garment shown as worn by a child;
FIG. 2 is a front elevation view of thereof;
FIG. 3 is a rear elevation view thereof;
FIG. 4 is a right elevation view thereof;
FIG. 5 is a left elevation view thereof;
FIG. 6 is a top plan view thereof; and,
FIG. 7 is a bottom plan view.

The broken lines showing a child depict environmental matter and form no part of the claimed design. The remaining broken lines represent stitching, and are part of the claimed design.

1 Claim, 5 Drawing Sheets



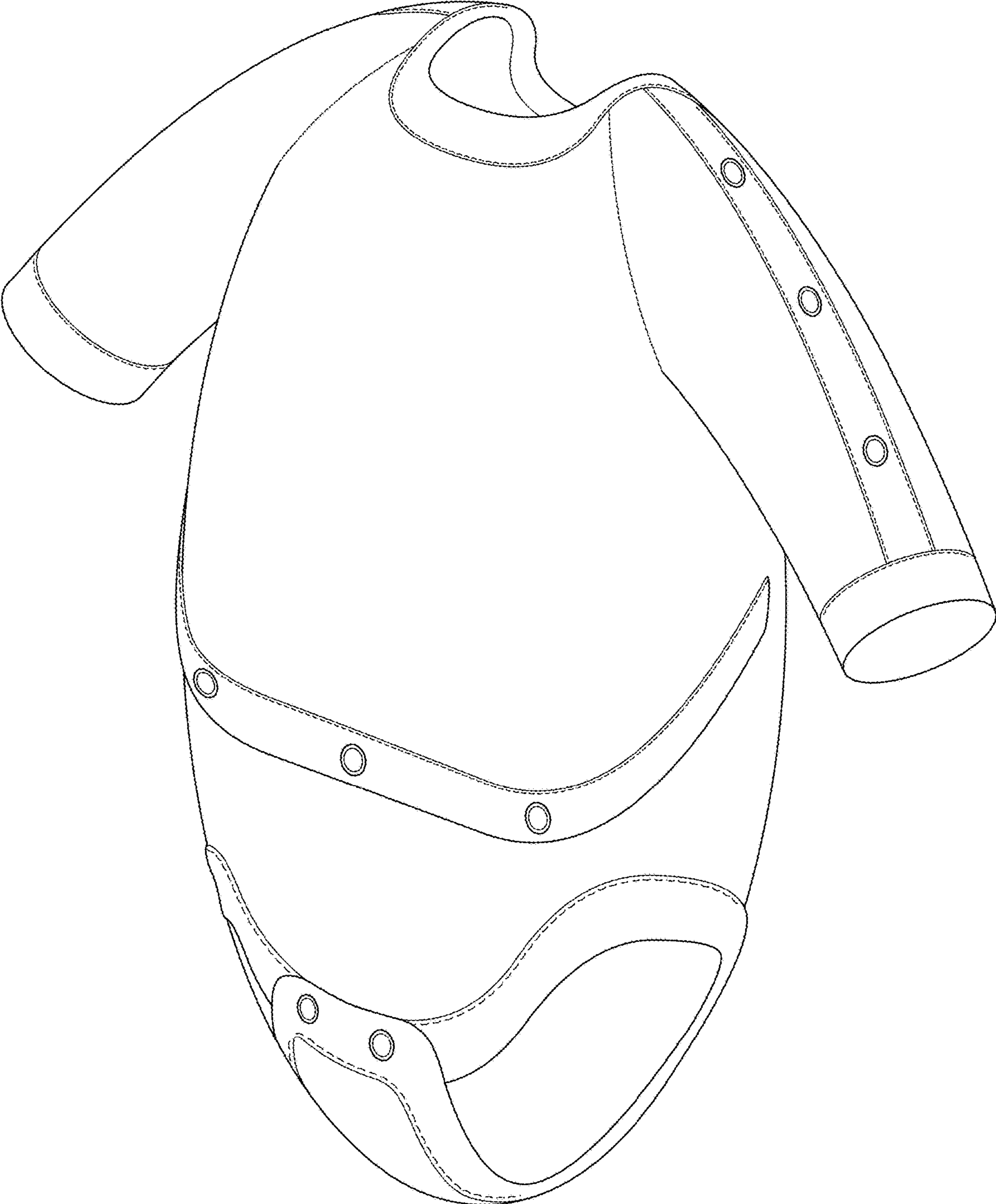


Fig. 1

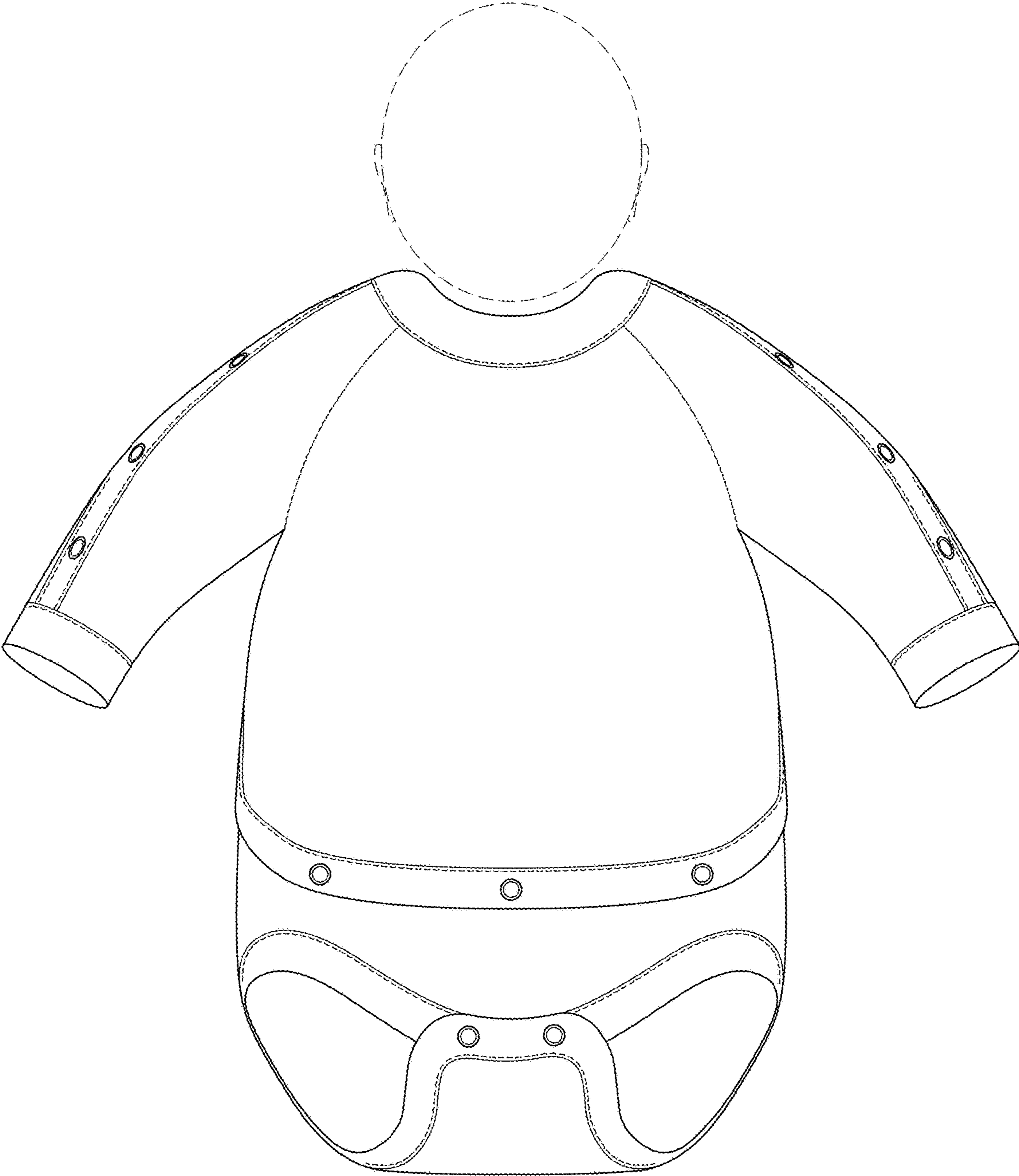


Fig. 2

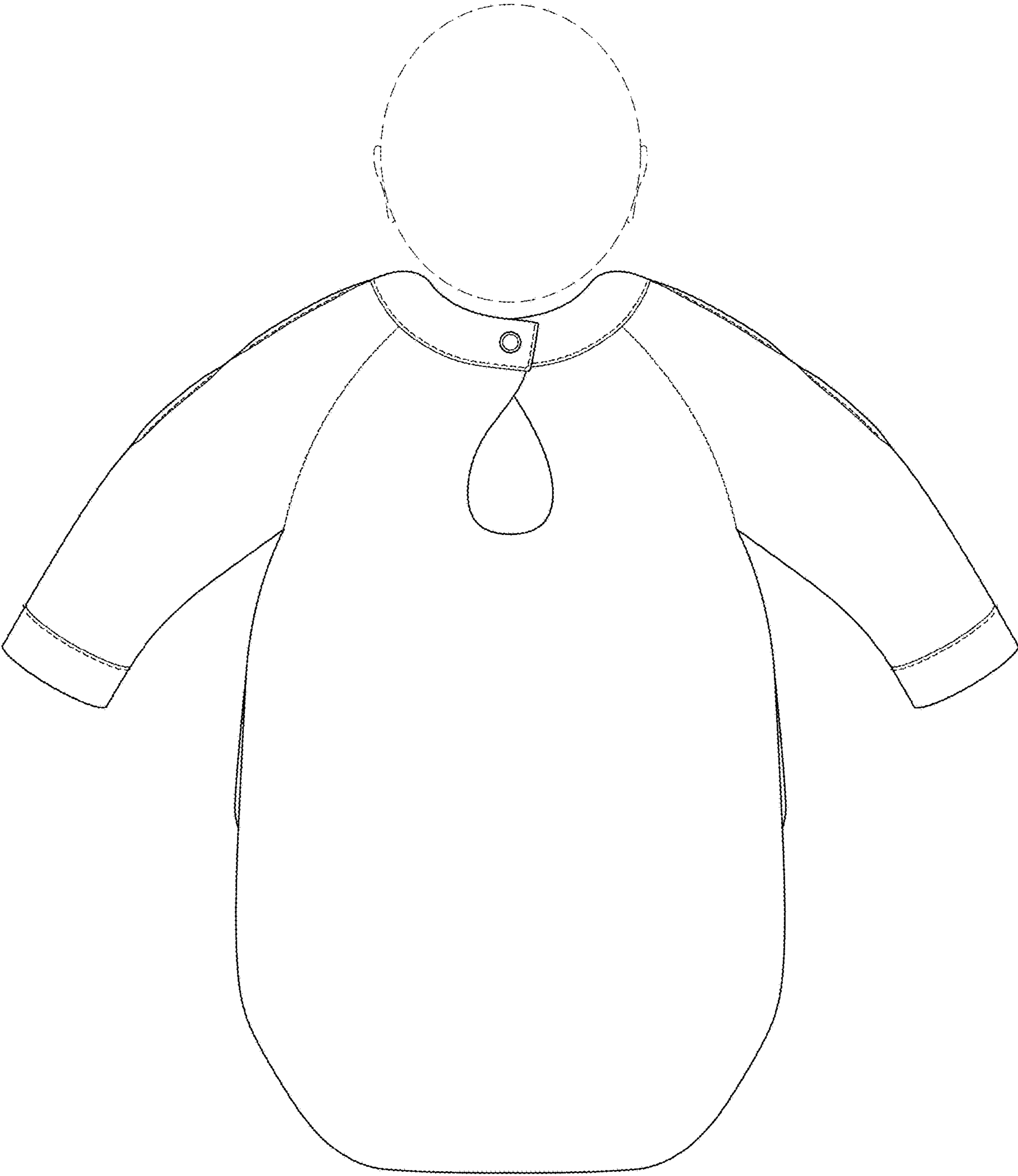


Fig. 3

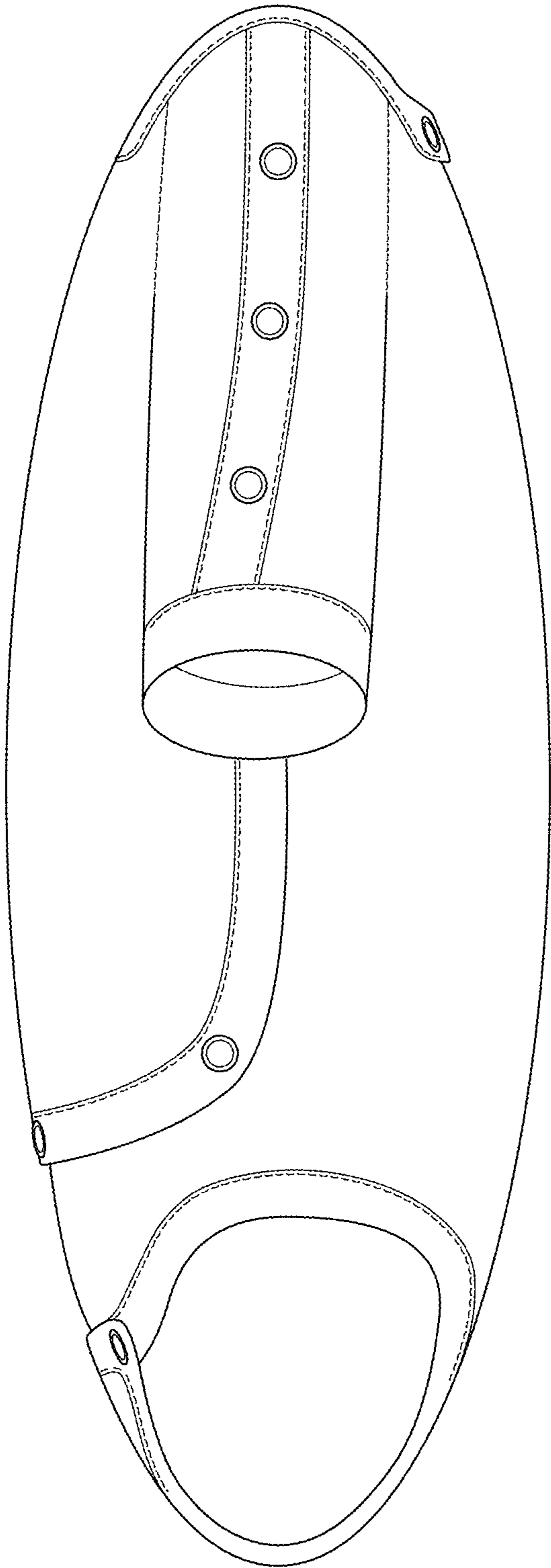


Fig. 4

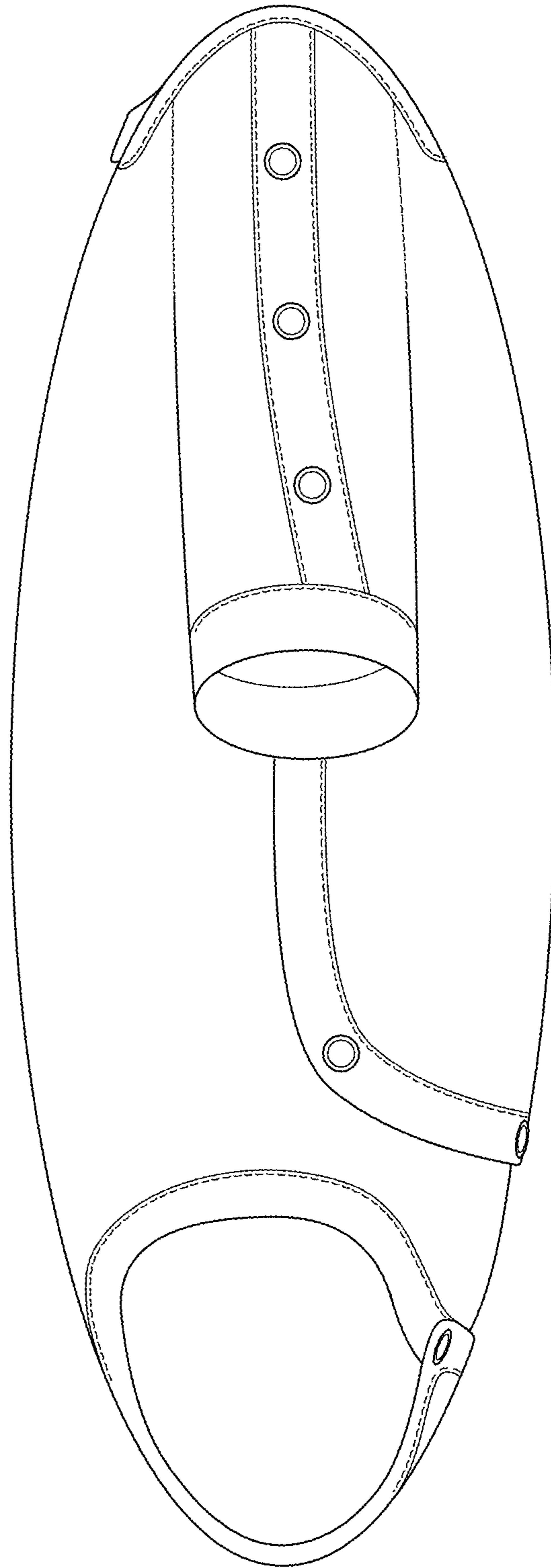


Fig. 5

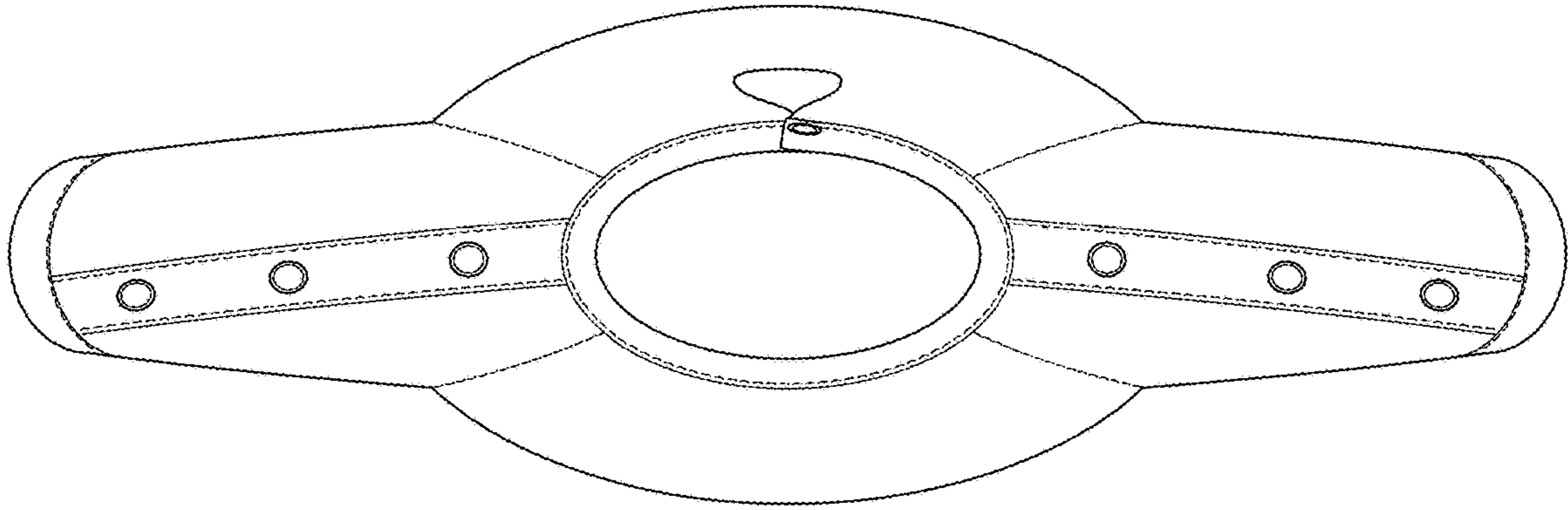


Fig. 6

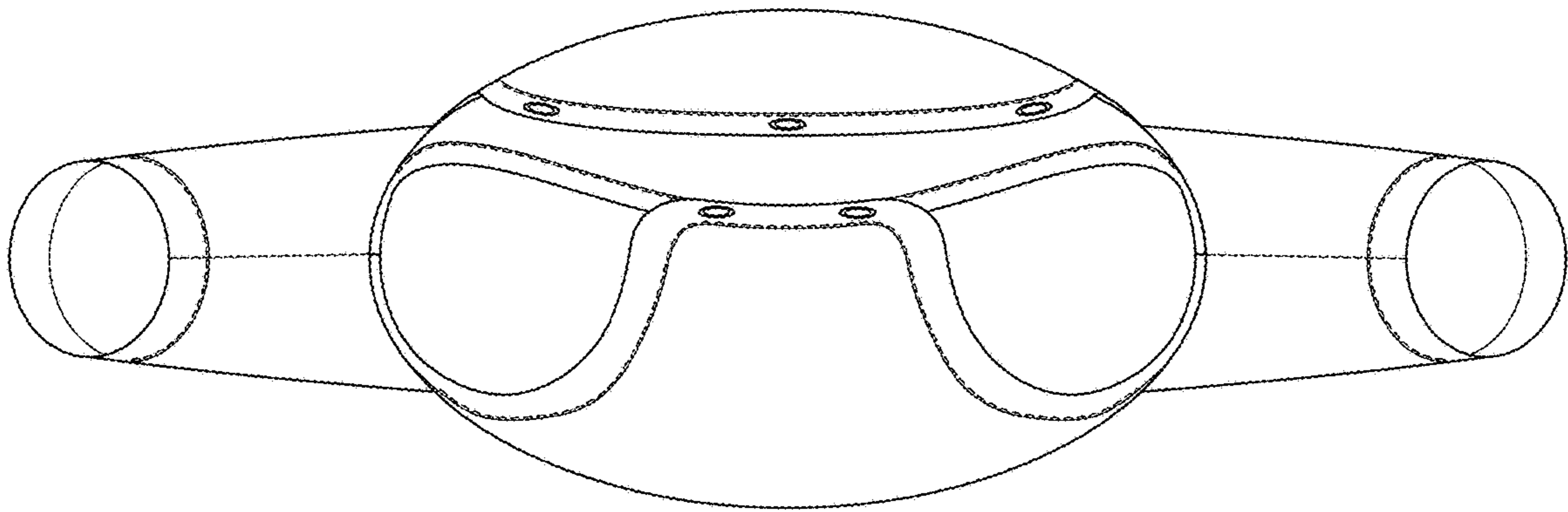


Fig. 7