

US00D809243S

(12) **United States Design Patent** (10) **Patent No.:** **US D809,243 S**
Kimel et al. (45) **Date of Patent:** **** Feb. 6, 2018**

(54) **SUPPORT ELEMENT FOR UNDERWEAR**

FOREIGN PATENT DOCUMENTS

(71) Applicant: **HBI Branded Apparel Enterprises, LLC**, Winston-Salem, NC (US)

WO WO9839981 A1 9/1998
WO WO0137687 A1 5/2001

(Continued)

(72) Inventors: **Sherry E. Kimel**, King, NC (US);
Tasha R. Perry, Winston Salem, NC (US); **Rachel Erickson**, Winston Salem, NC (US); **Melissa A. Coleman**, Kernersville, NC (US)

OTHER PUBLICATIONS

Lacoste Men's 3-Pack Essentials Cotton Boxer Brief, posted at Amazon.com, posted on Mar. 17, 2015, [online], [site visited Jan. 4, 2017]. Available from Internet, <URL: <https://www.amazon.com/Lacoste-3-Pack-Essentials-Cotton->Boxer/dp/B00QSYKM1Y>>.*

(Continued)

(73) Assignee: **HBI Branded Apparel Enterprises, LLC**, Winston Salem, NC (US)

(**) Term: **15 Years**

Primary Examiner — Mary Ann Calabrese

Assistant Examiner — Catherine Ho

(21) Appl. No.: **29/561,324**

(74) *Attorney, Agent, or Firm* — Fish & Richardson P.C.

(22) Filed: **Apr. 14, 2016**

(51) **LOC (11) Cl.** **02-01**

(57) **CLAIM**

(52) **U.S. Cl.**
USPC **D2/712**

The ornamental design for a support element for underwear, substantially as shown and described.

(58) **Field of Classification Search**

DESCRIPTION

USPC D2/700, 701, 705, 711, 712, 713, 716,
D2/731, 734, 737, 738, 742, 853;
D24/122, 124, 125, 126, 127; D29/101.5
CPC A41B 9/002; A41B 9/007; A41B 9/02;
A41B 9/023; A41B 9/026; A41B 9/00;
A61L 15/22; A61L 15/58; A61F 13/15;
A61F 13/47; A61F 13/49; A61F 13/55;
A61F 13/58; A61F 5/4401; A41C 1/00;
A41C 1/02; A41D 1/08; A41D 13/0525;

(Continued)

FIG. 1 is a front view of a support element for underwear showing our new design.

FIG. 2 is a cross-sectional view of the inside-front of the support element for underwear taken in the direction of section 2-2 of FIG. 4.

FIG. 3 is a rear perspective view of the underwear showing the support element for underwear, where the environment depicted in broken lines is shown as a transparent surface for clarity of illustration; and,

FIG. 4 is a top view looking downward into the underwear and showing the support element for underwear.

The broken lines illustrate the environment of the claimed design and form no part of the claimed design. For example, the stitching shown as broken lines in the figure drawings forms no part of the claimed design.

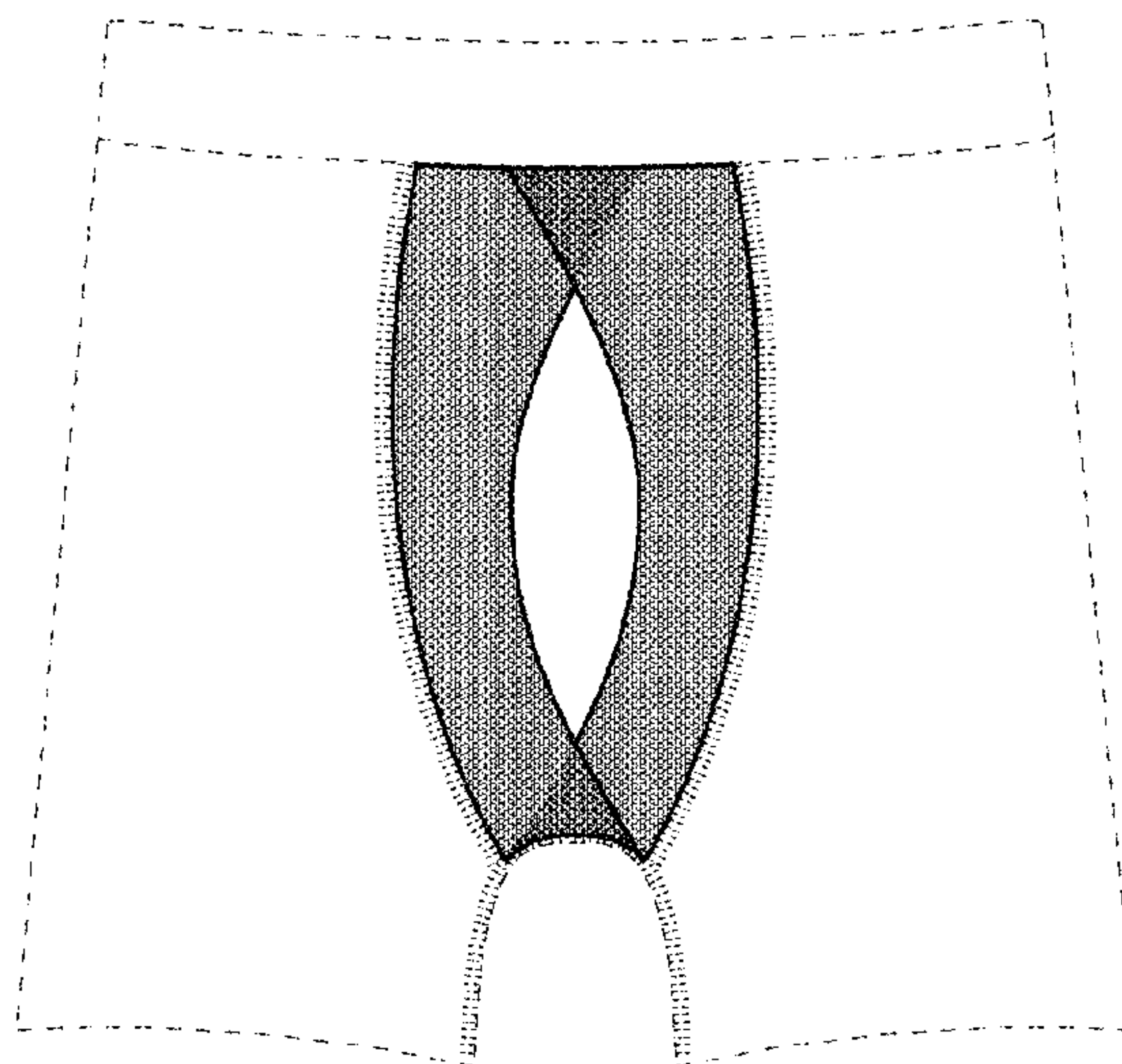
(56) **References Cited**

U.S. PATENT DOCUMENTS

1,483,351 A 2/1924 Keirstead
1,984,875 A * 12/1934 Heyn A41B 9/04
2/401

2,349,426 A 5/1944 Harwood
(Continued)

1 Claim, 1 Drawing Sheet



(58) **Field of Classification Search**
 CPC A41D 13/0537; A63B 71/12; A63B
 71/1216; A63B 71/1225
 See application file for complete search history.

(56) **References Cited**

U.S. PATENT DOCUMENTS

2,486,499	A *	11/1949	Schoendorf	A41B 9/02	
					2/404
2,624,336	A	1/1953	Hansley		
4,377,008	A	3/1983	Jung		
5,499,404	A	3/1996	Marchiorello		
5,647,065	A	7/1997	Richerson		
5,870,779	A	2/1999	Heron		
6,038,703	A	3/2000	Chung		
6,245,036	B1	6/2001	McRoberts et al.		
6,308,342	B1	10/2001	Qi		
6,901,607	B1	6/2005	Elwell		
D509,945	S	9/2005	Ogle		
7,024,703	B1	4/2006	Della Ratta		
7,065,797	B1	6/2006	Chen		
7,100,213	B2	9/2006	Krautbauer		
7,631,369	B2 *	12/2009	Geiwald	A41B 9/02	
					2/400
7,676,853	B1	3/2010	Cutlip		
7,788,739	B1	9/2010	Della Ratta		
7,958,571	B2	6/2011	Kitsch et al.		
D646,047	S *	10/2011	Arensdorf		D2/712
D646,462	S	10/2011	Ellis et al.		
8,092,273	B2	1/2012	Shinomiya		
D656,708	S	4/2012	Ellis		
D657,937	S *	4/2012	Jones		D2/712
8,555,422	B2	10/2013	Steele		
8,615,816	B2	12/2013	Harimoto		
D698,118	S *	1/2014	Denning		D2/712
8,726,423	B2	5/2014	Gu		
8,782,817	B2	7/2014	Gu		
D716,525	S *	11/2014	Astin		D2/712
D722,420	S *	2/2015	Abrams		D2/712
D722,742	S *	2/2015	Abrams		D2/712
8,997,264	B2	4/2015	Steele		
9,044,329	B2	6/2015	Ziehler et al.		
9,301,550	B2	4/2016	Sabin		

9,301,551	B2	4/2016	Back et al.		
D756,069	S *	5/2016	Astin		D2/712
2003/0191361	A1	10/2003	Flores		
2005/0268380	A1	12/2005	Sovell		
2006/0000008	A1	1/2006	Chong		
2006/0162052	A1	7/2006	Stankowski et al.		
2007/0220661	A1	9/2007	Blohmann		
2007/0245463	A1	10/2007	Kang		
2009/0106874	A1	4/2009	Shlush		
2012/0167279	A1	7/2012	Bigney		
2012/0167280	A1 *	7/2012	Adams	A41B 9/026	
					2/403
2012/0204325	A1	8/2012	Todd		
2014/0289935	A1	10/2014	Astin		
2015/0181946	A1	7/2015	Donmoyer		
2015/0208732	A1	7/2015	Oh		
2015/0231482	A1	8/2015	Ziehler et al.		
2015/0313290	A1	11/2015	Bigney et al.		
2016/0150829	A1	7/2016	Todd		

FOREIGN PATENT DOCUMENTS

WO	WO2005119451	A2	12/2005
WO	WO2009001404	A1	12/2008
WO	WO2012165802	A2	12/2012
WO	WO2014129756	A1	8/2014
WO	WO2015103944	A1	7/2015

OTHER PUBLICATIONS

Calvin Klein Men's Underwear, posted at Amazon.com, posted on Aug. 8, 2005, [online], [site visited Jan. 4, 2017]. Available from Internet, <URL: <https://www.amazon.com/Calvin-Klein-Underwear-Cotton-Classics/dp/B00JQRNEPG>>.*

Fruit of the Loom Men's Covered Waistband, posted at Amazon.com, posted on Apr. 5, 2014, [online], [site visited Jan. 4, 2017]. Available from Internet, <URL: <https://www.amazon.com/Fruit-Loom-Waistband-Assorted-3X-Large/dp/B00IPKP7JQ>>.*

Hanes Men's 3 Pack Ultimate X-Temp, posted at Amazon.com, posted on Jul. 29, 2014, [online], [site visited Jan. 4, 2017]. Available from Internet, <URL: <https://www.amazon.com/Hanes-Ultimate-X-Temp-Lightweight-Performance/dp/B00LCS06BW>>.*

* cited by examiner

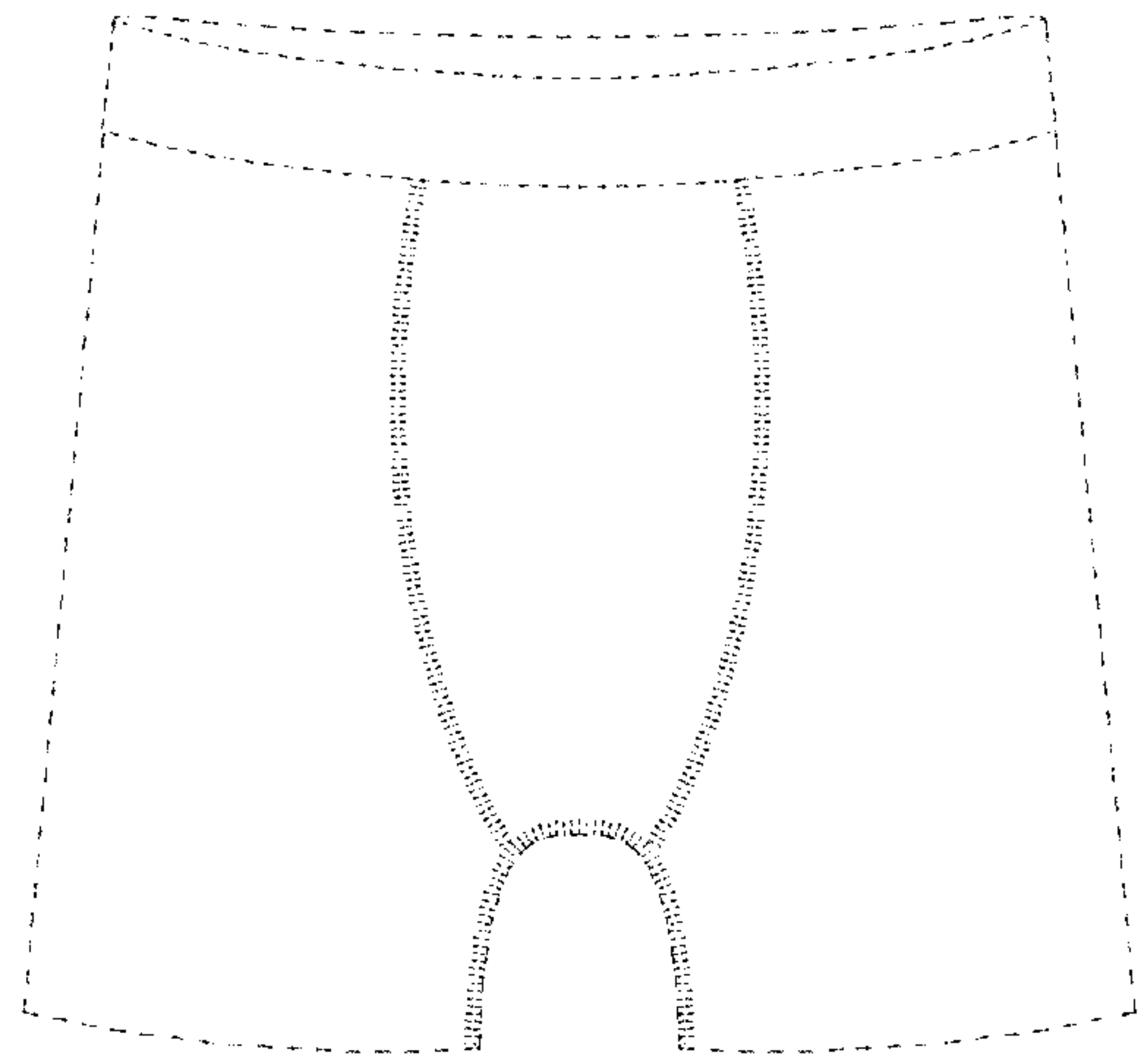


Fig.1

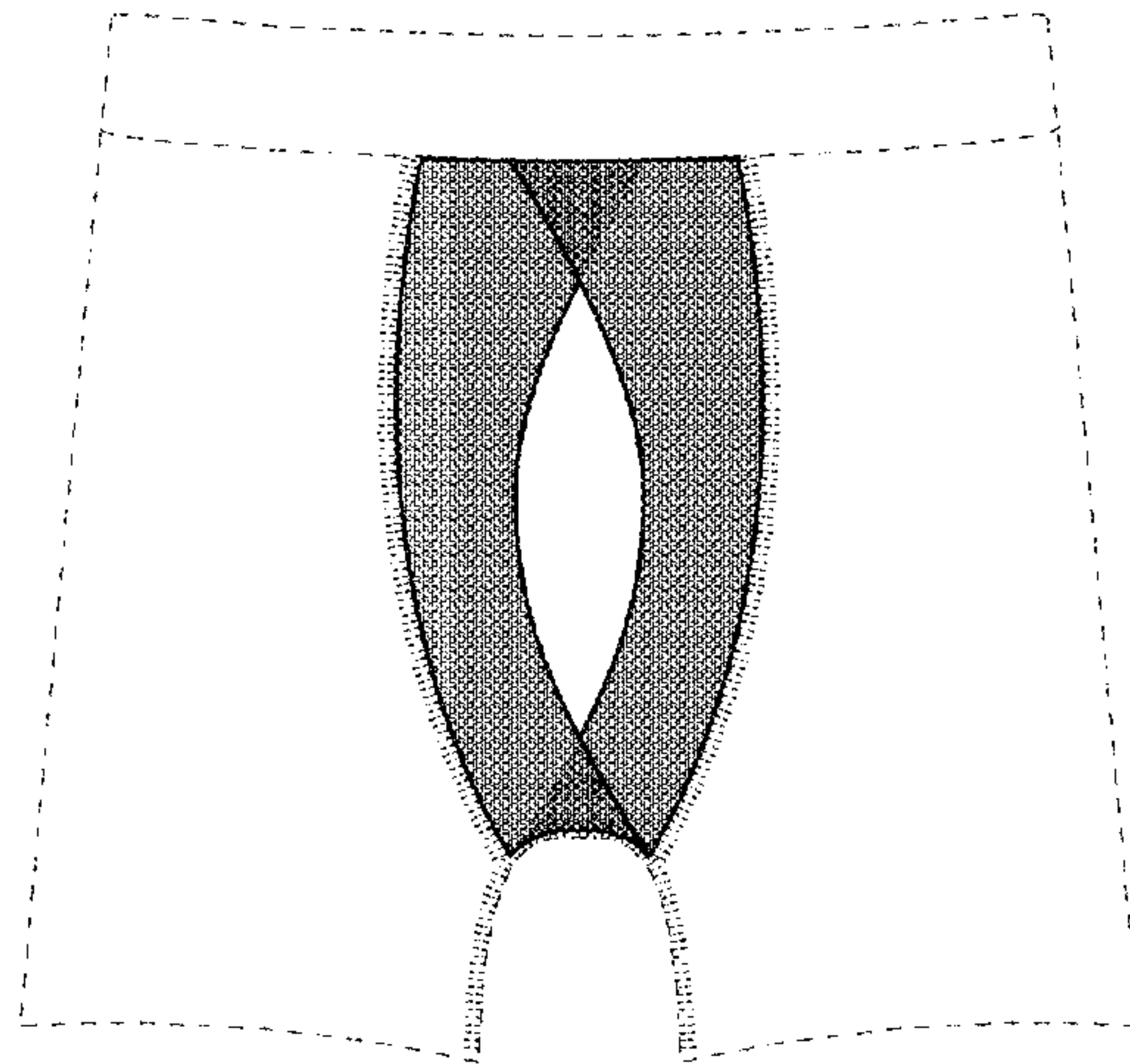


Fig.2

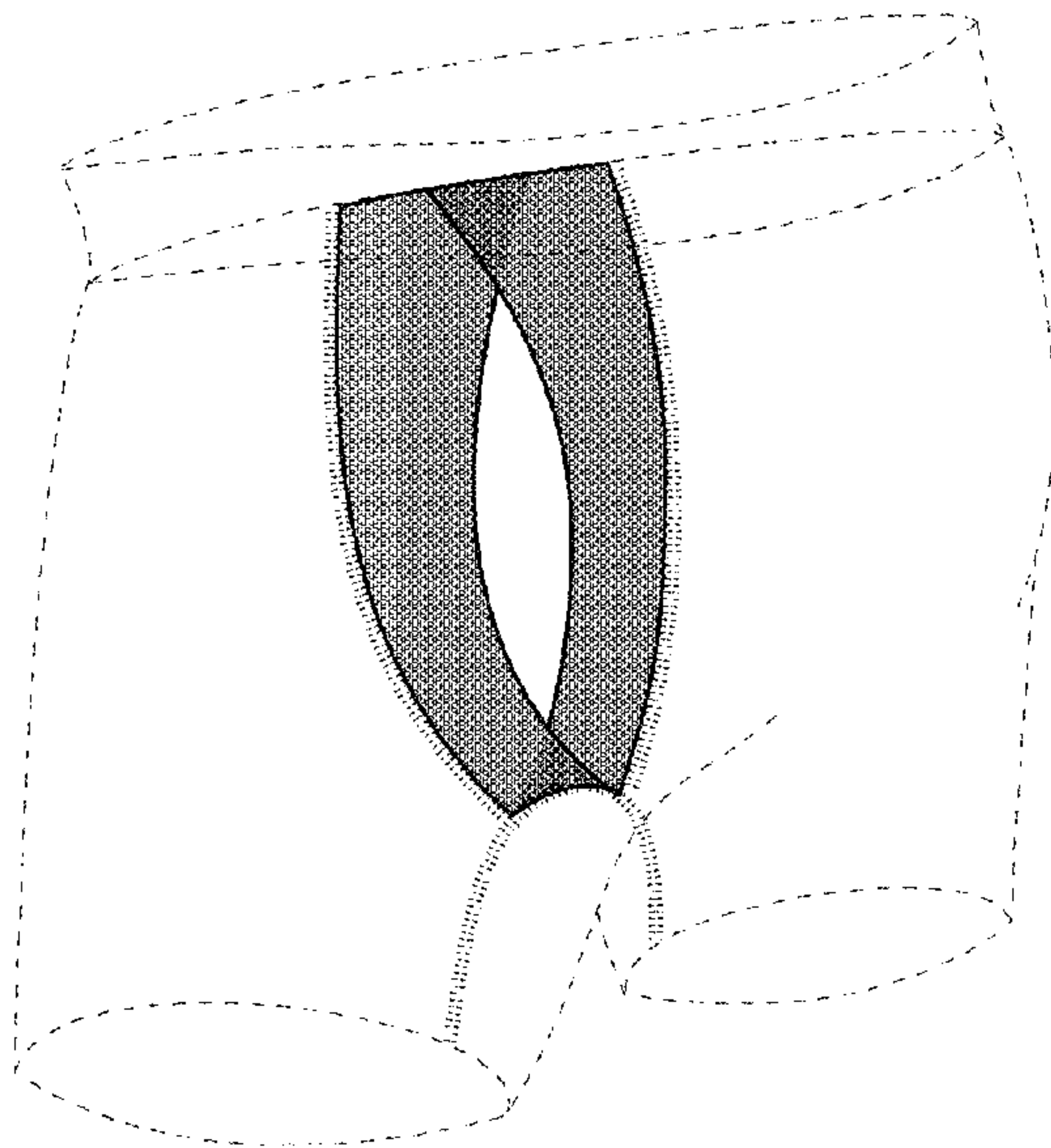


Fig.3

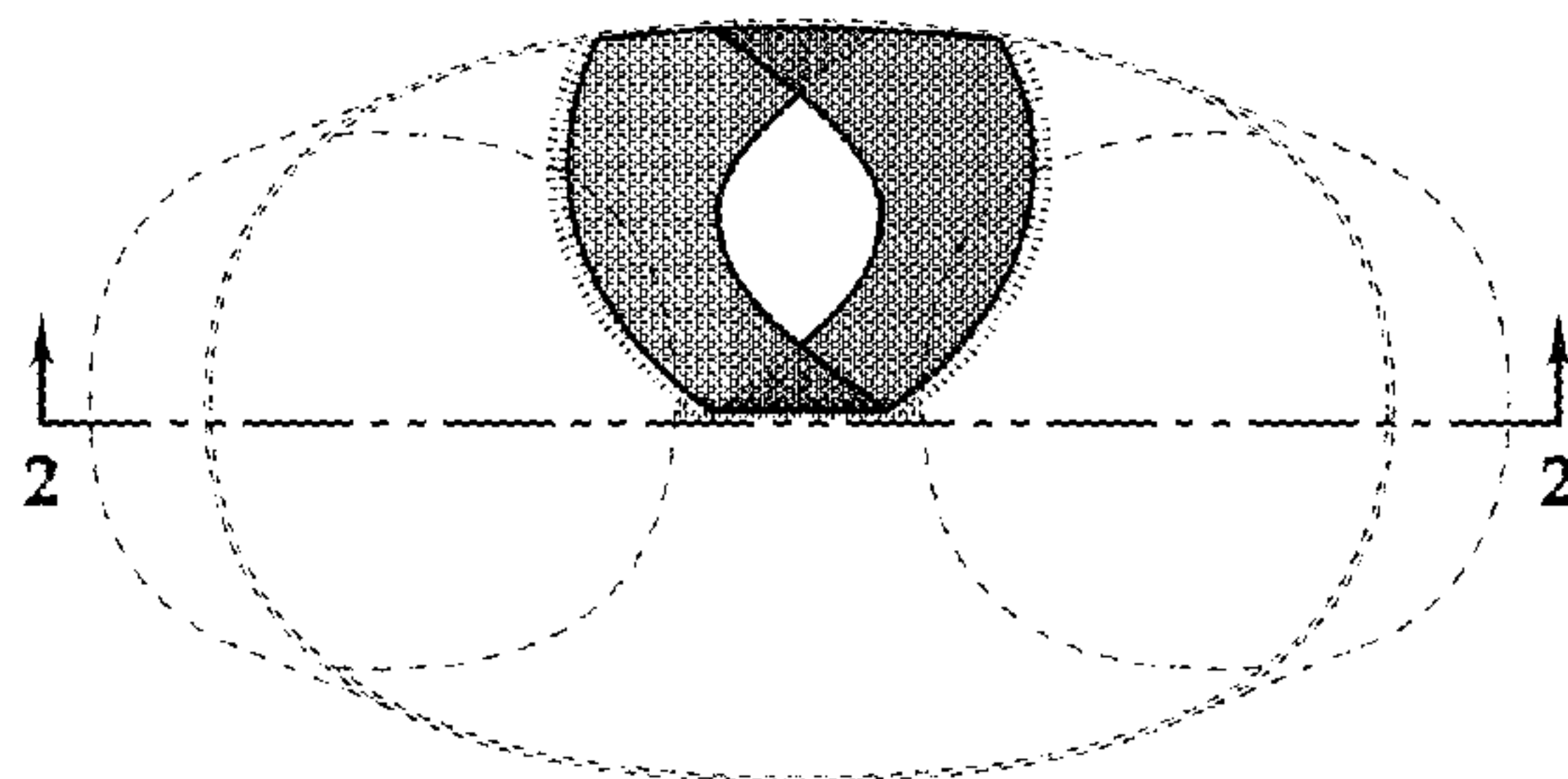


Fig.4