



US00D809241S

(12) **United States Design Patent**
Thayer

(10) **Patent No.:** **US D809,241 S**

(45) **Date of Patent:** **** Feb. 6, 2018**

- (54) **BELT**
- (71) Applicant: **Trevor Thayer**, Bend, OR (US)
- (72) Inventor: **Trevor Thayer**, Bend, OR (US)
- (**) Term: **14 Years**
- (21) Appl. No.: **29/502,012**
- (22) Filed: **Sep. 10, 2014**
- (51) **LOC (11) Cl.** **02-07**
- (52) **U.S. Cl.**
USPC **D2/627**
- (58) **Field of Classification Search**
USPC D2/624-629, 631, 633, 634, 636-640,
D2/859; D3/215, 222, 224; D8/44, 383;
D11/200, 210, 218
CPC . A41D 27/08; A41F 11/16; A41F 3/02; A41F
9/002; A44B 11/005; A45F 2003/006;
A45F 2200/05; A45F 3/005; B60R
2022/006; F41B 13/00
See application file for complete search history.

- 6,859,981 B2 * 3/2005 Hsiao A43C 11/1406
24/68 SK
- D555,328 S * 11/2007 Gilbert-Biro D2/624
- 8,763,210 B2 * 7/2014 Vincent A43B 5/04
24/68 SK
- 8,869,354 B2 * 10/2014 Horimoto A42B 3/08
24/69 ST
- 9,351,539 B2 * 5/2016 Briggs A43C 11/146
- 2002/0189056 A1 * 12/2002 Gallina A44B 11/12
24/68 R
- 2003/0005556 A1 * 1/2003 Gallina A43C 11/1406
24/68 SK
- 2016/0135547 A1 * 5/2016 Kuffrey A44B 11/065
482/93

* cited by examiner

Primary Examiner — Celia Murphy
Assistant Examiner — Clare Ann Gannon
(74) *Attorney, Agent, or Firm* — Leber IP Law

(57) **CLAIM**

The ornamental design for a belt, as shown and described.

DESCRIPTION

FIG. 1 is a top-left, front perspective view of the belt;
FIG. 2 is a top plan view thereof;
FIG. 3 is a front elevational view thereof;
FIG. 4 is a bottom plan view thereof;
FIG. 5 is a right side elevational view thereof;
FIG. 6 is a left side elevational view thereof; and,
FIG. 7 is a front perspective view of the belt as would be worn.
The strap portions of the belt shown in broken lines in FIGS. 1-7 do not form a part of the design. All other broken lines in FIG. 7 depict environment, which forms no part of the claimed design.

1 Claim, 4 Drawing Sheets

- (56) **References Cited**
U.S. PATENT DOCUMENTS
- 1,173,998 A * 2/1916 Depew B65D 9/34
217/93
- 1,278,340 A * 9/1918 Hayden A44B 11/00
24/170
- D193,969 S * 11/1962 Lawson 24/16 PB
- D361,877 S * 9/1995 Ruiz D2/627
- 5,745,959 A * 5/1998 Dodge A43C 11/00
24/68 SK
- 5,745,963 A * 5/1998 Graziano A43B 1/0072
24/68 SK
- 6,748,630 B2 * 6/2004 Livingston A43C 11/1406
24/68 R

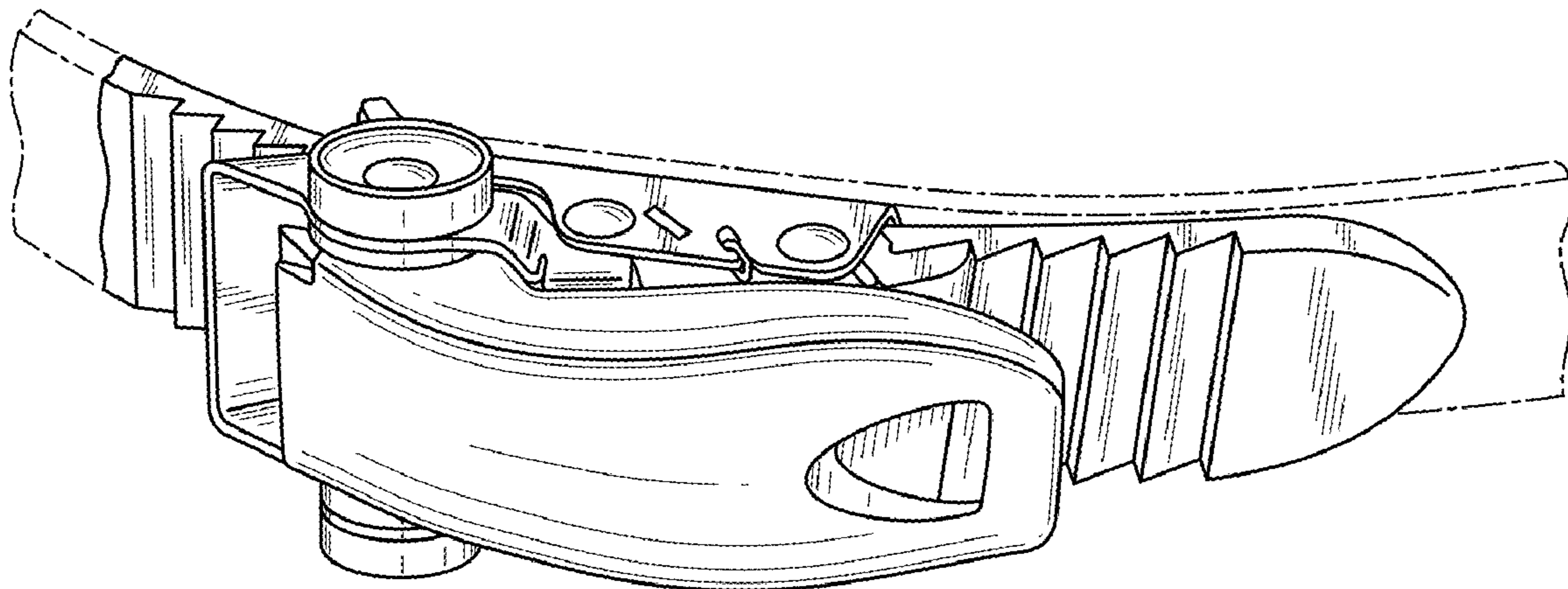


FIG. 1

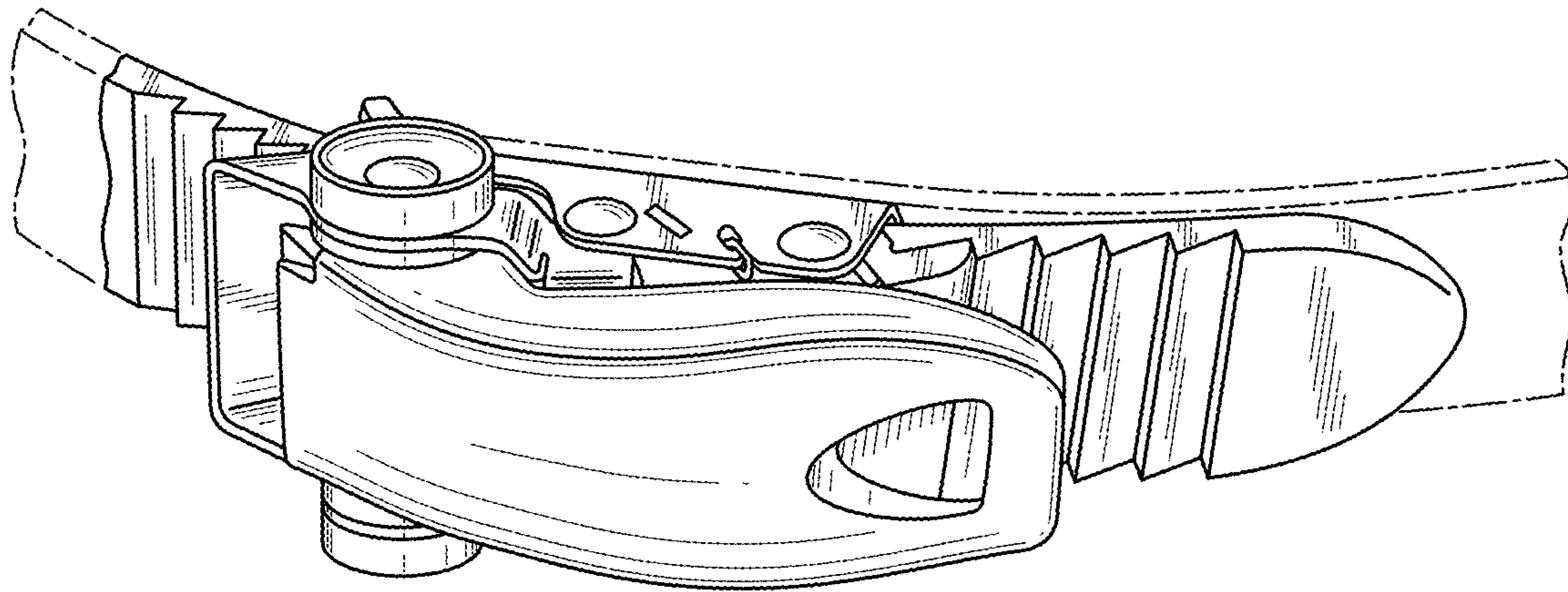


FIG. 2

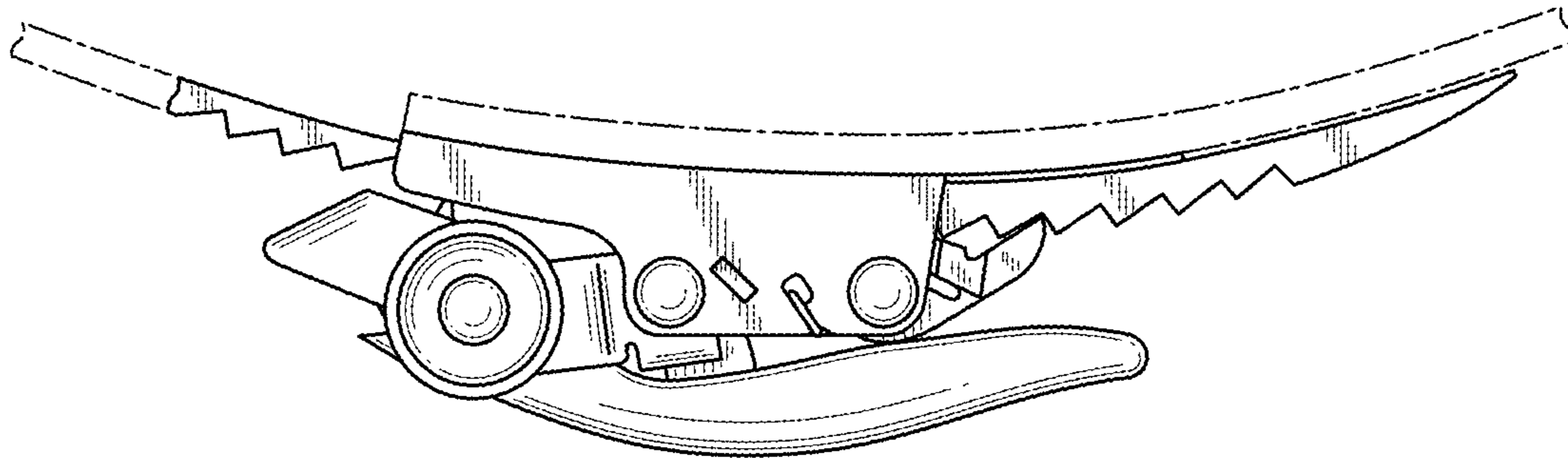


FIG. 3

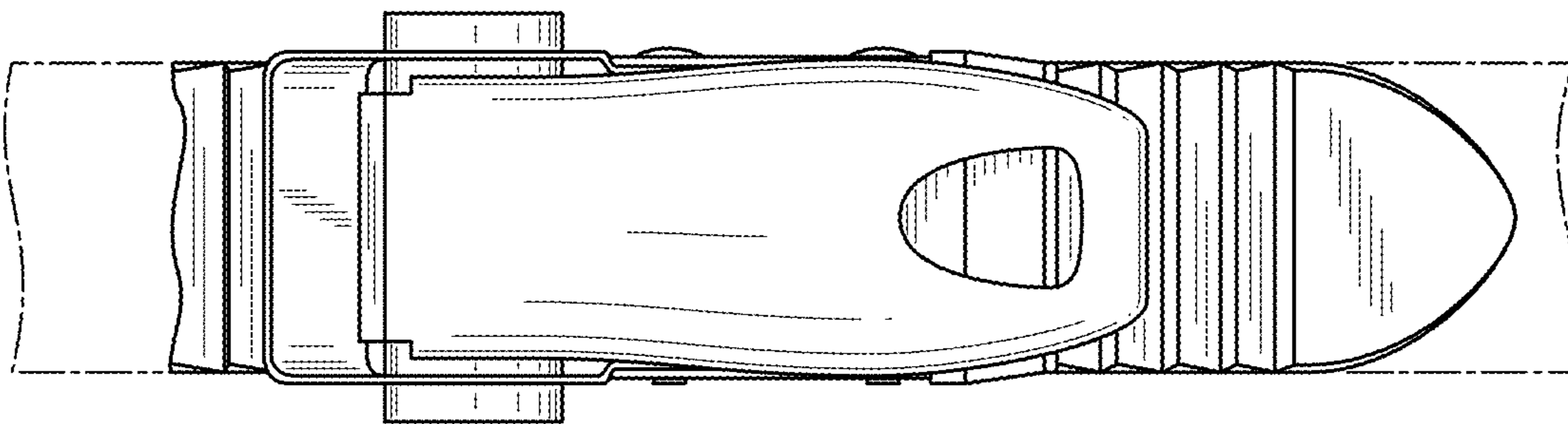


FIG. 4

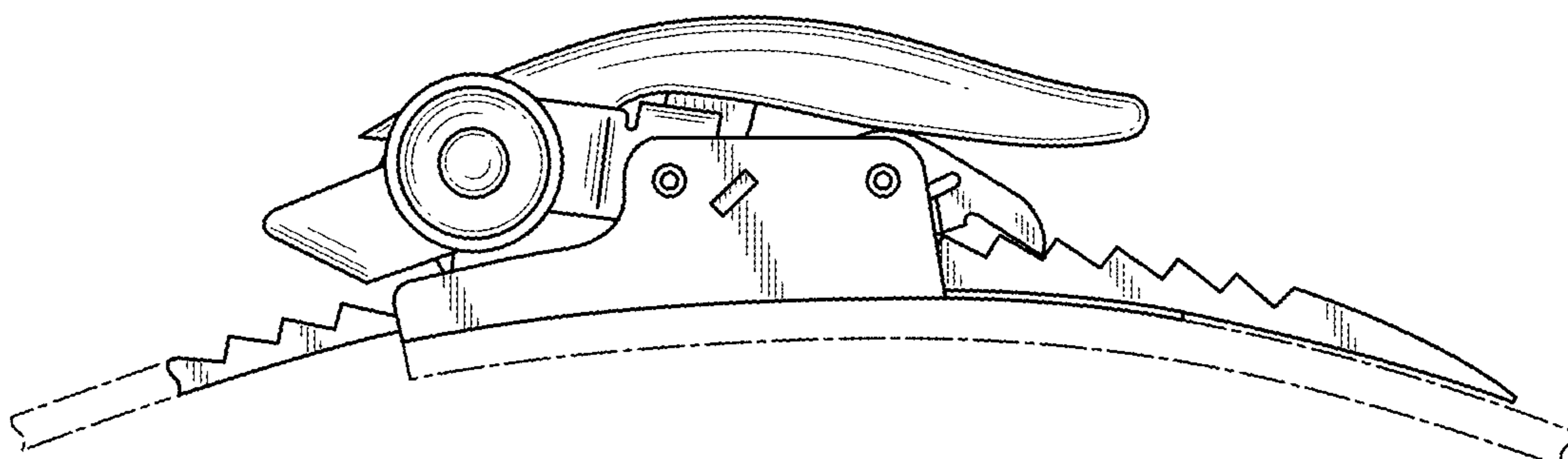


FIG. 5

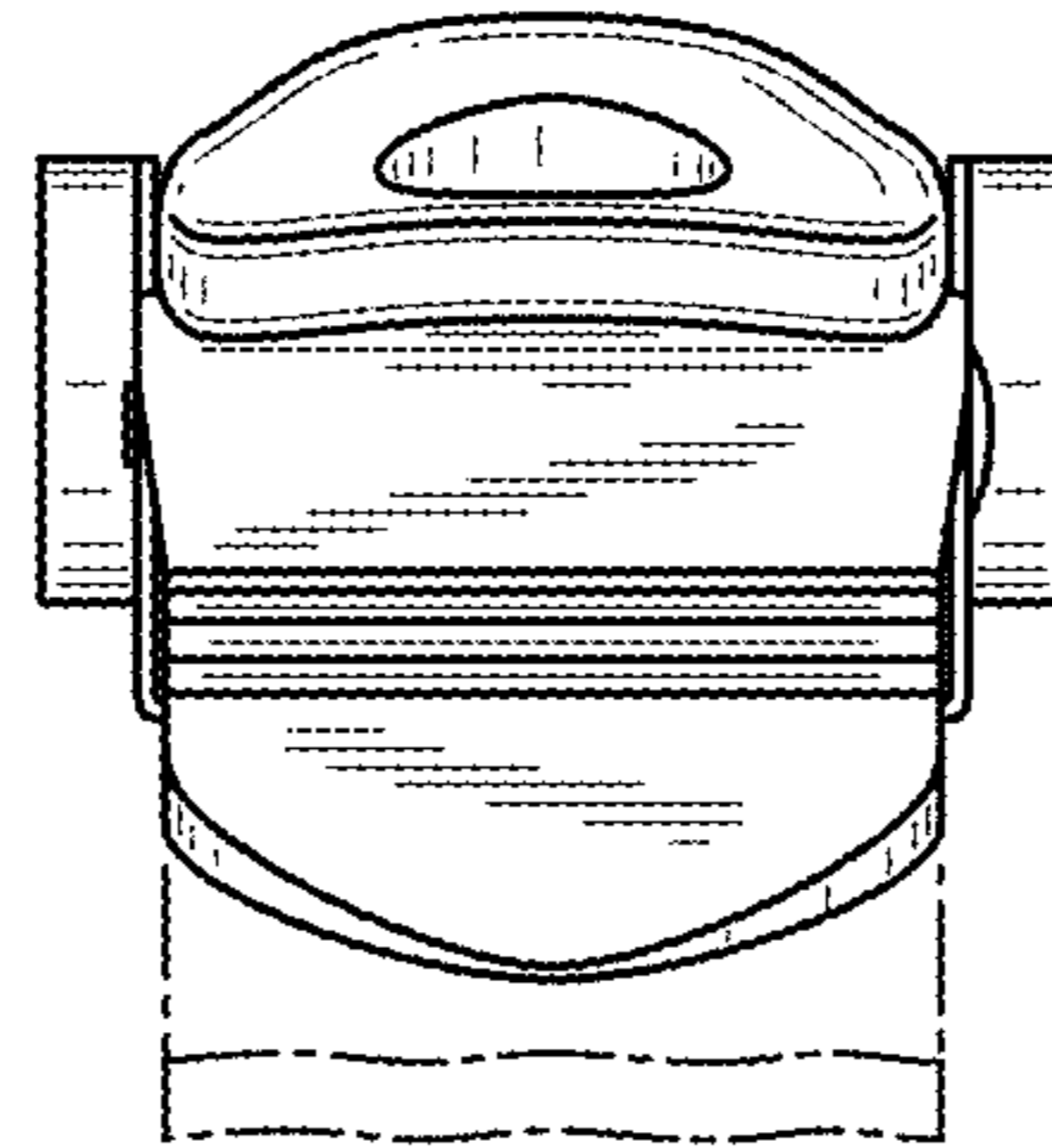


FIG. 6

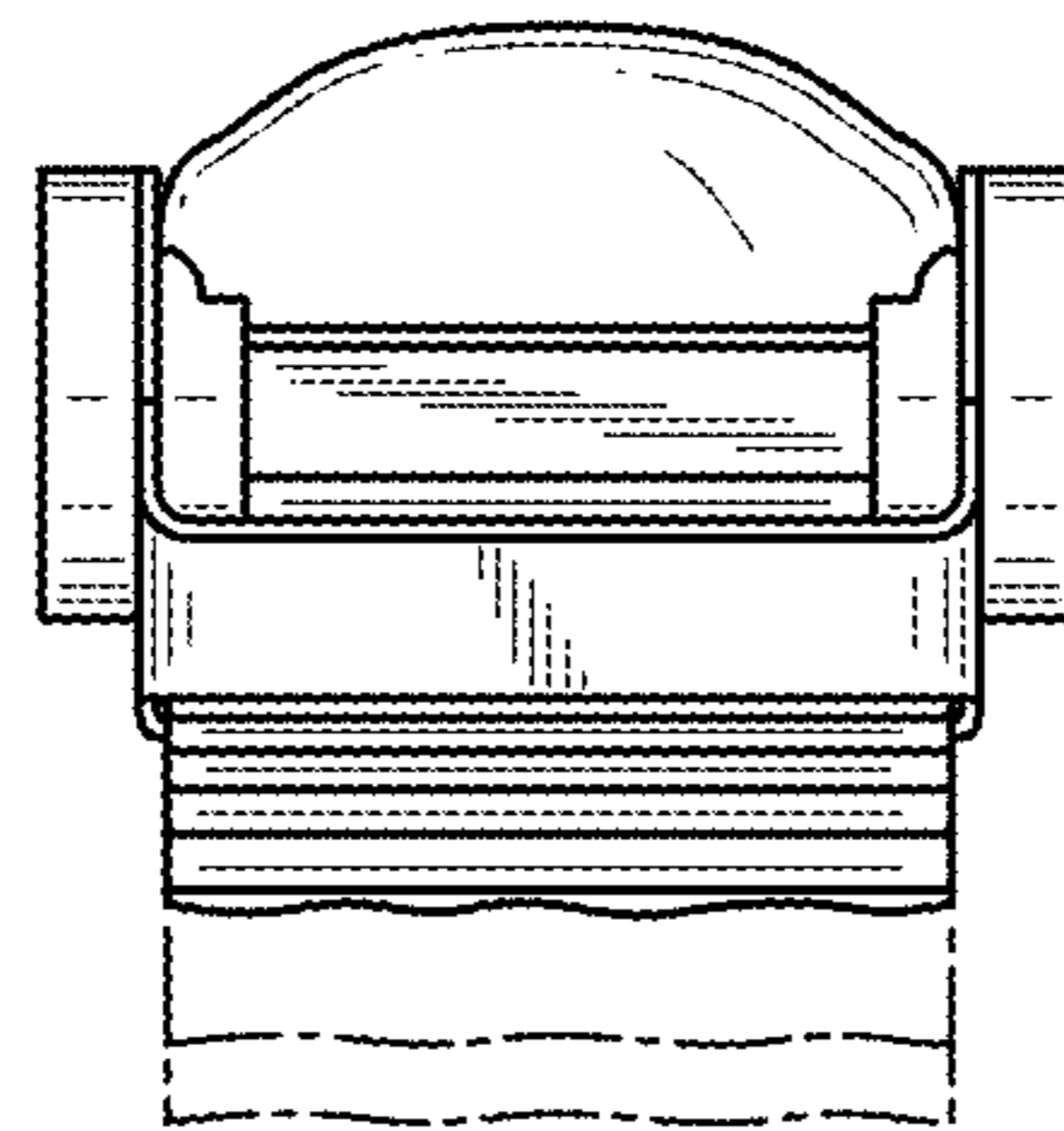


FIG. 7

