



US00D809240S

(12) **United States Design Patent** (10) **Patent No.:** **US D809,240 S**
Astheimer et al. (45) **Date of Patent:** **** Feb. 6, 2018**

(54) **CONFECTIONERY BAR**

(71) Applicant: **Mars, Incorporated**, McLean, VA (US)

(72) Inventors: **Carsten Astheimer**, Ambleside (DE);
Timothy Moore, Gillygooley (GB);
Robert Benjamin Foskett, Telford (GB);
Sam Tarratt, Slough (GB)

(73) Assignee: **MARS, INCORPORATED**, McLean, VA (US)

(**) Term: **14 Years**

(21) Appl. No.: **29/524,981**

(22) Filed: **Apr. 24, 2015**

(51) **LOC (11) Cl.** **01-01**

(52) **U.S. Cl.**
USPC **D1/121; D1/127**

(58) **Field of Classification Search**
USPC D1/100-130, 199; 426/5, 104, 249, 275,
426/660; D24/101-104; 273/429;
D9/707; D28/8.1; D14/433; D7/354,
D7/359, 391, 672; D15/90; D25/138;
D23/366
CPC . A23G 3/54; A23G 4/20; A23G 3/343; A23G
3/36; A23G 3/28; A61K 9/2072; A61K
9/2095
See application file for complete search history.

4,618,499 A 10/1986 Wainwright
4,963,379 A 10/1990 Ferrero
5,042,666 A 8/1991 Dolenc
D391,736 S * 3/1998 Oelke D1/125
D391,737 S 3/1998 Wright
5,789,008 A 8/1998 Monte
D429,866 S * 8/2000 Zhang D1/121
6,231,899 B1 5/2001 Rosso
6,503,546 B1 1/2003 Ferrari-Philippe et al.
6,726,944 B2 4/2004 Blaschke et al.
6,759,079 B2 7/2004 Klug et al.
D534,331 S * 1/2007 Axelrod D1/121
D556,427 S 12/2007 Kaiser et al.
D561,426 S * 2/2008 Eitler D1/121
D575,477 S * 8/2008 Eitler D1/121
D589,676 S 4/2009 Wilson et al.
D592,376 S 5/2009 Wilson et al.
D592,377 S 5/2009 Lee et al.
D594,181 S 6/2009 Wilson
D600,877 S 9/2009 Marckx et al.
D604,929 S 12/2009 Hartmann
D613,029 S 4/2010 Krumholz et al.
D659,946 S * 5/2012 Fujioka D1/121
D683,518 S 6/2013 Milanese
8,485,728 B2 7/2013 Bowers et al.
D695,857 S 12/2013 Sterios
D697,689 S * 1/2014 Krumholz D1/121
D715,020 S 10/2014 Moore et al.
D750,341 S * 3/2016 Baker D1/121
2003/0044487 A1 3/2003 Waszyk et al.
2004/0091582 A1 5/2004 Buriani et al.
2004/0115328 A1 6/2004 Martin
2007/0122527 A1 5/2007 Janus
2008/0050484 A1 2/2008 Kijowski et al.
2010/0142864 A1 6/2010 Czarny
2014/0287106 A1 9/2014 Labrousse Molla et al.

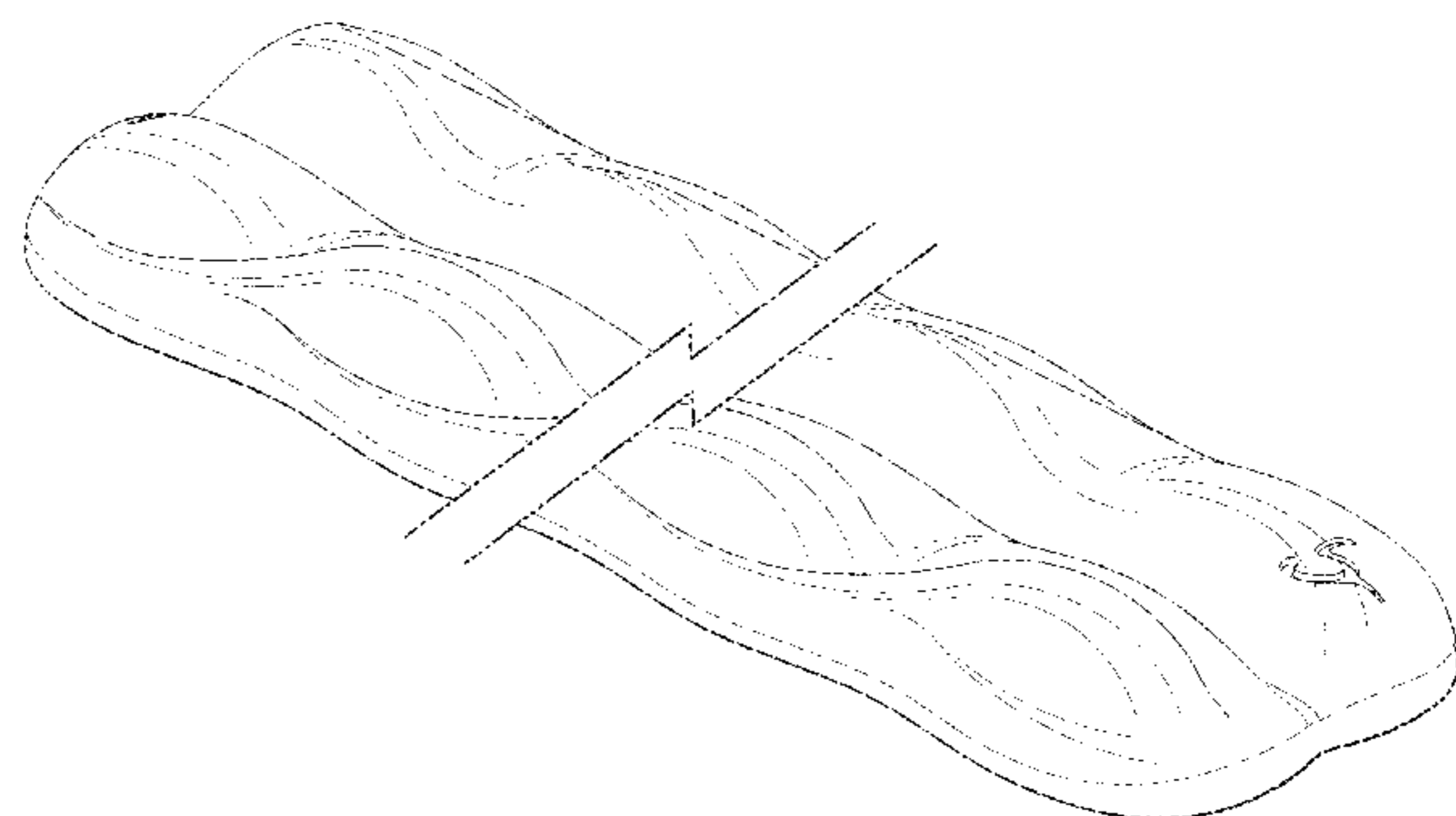
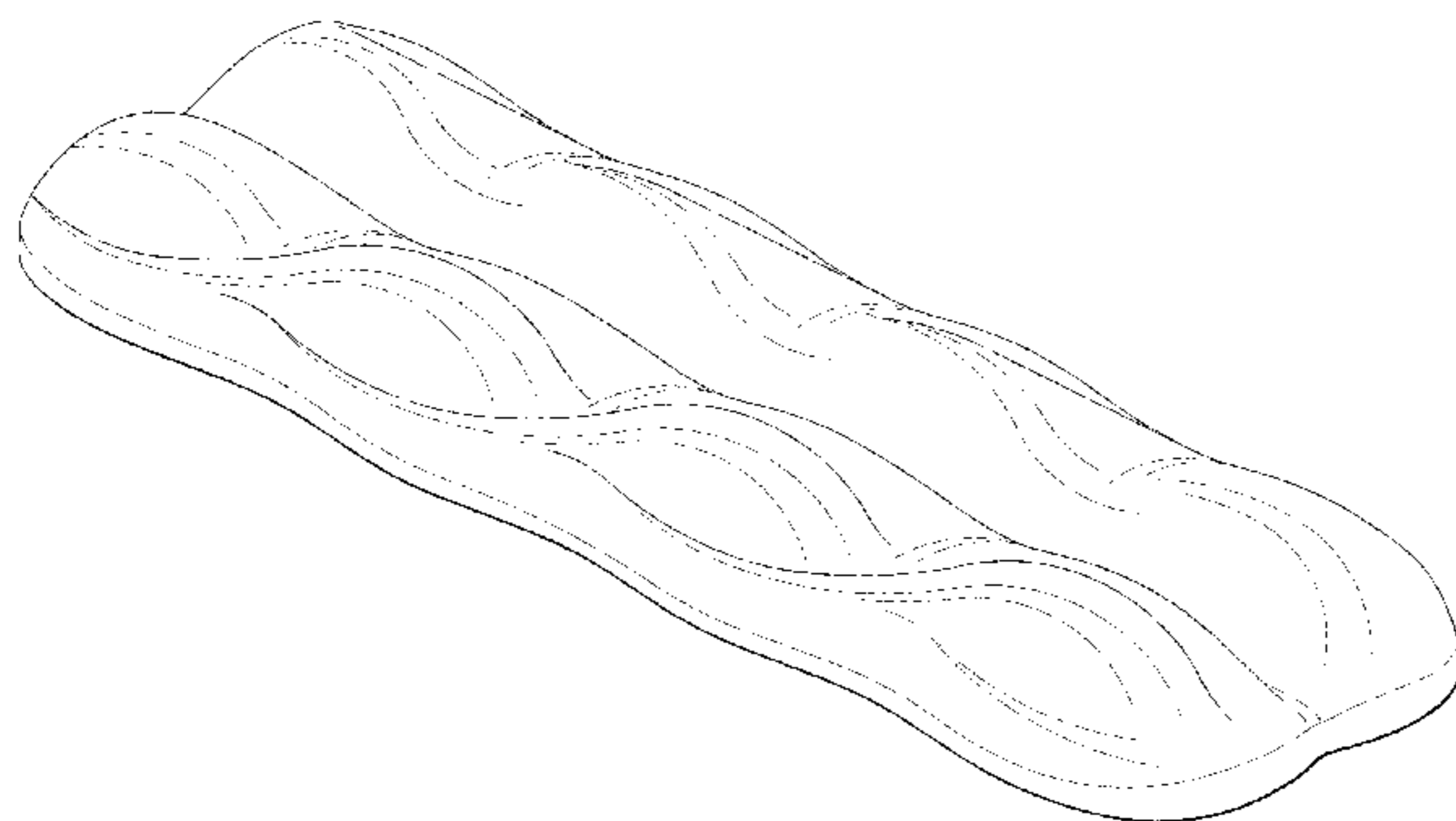
(56) **References Cited**

U.S. PATENT DOCUMENTS

D98,858 S * 3/1936 Gager 424/467
2,132,144 A 10/1938 Blum
2,134,026 A * 10/1938 Brooks A21C 11/02
426/275
2,246,770 A * 6/1941 Wessel A23K 50/40
252/365
3,764,715 A * 10/1973 Henthorn A23L 7/122
426/273
D231,417 S * 4/1974 Malola D1/121
4,229,484 A 10/1980 Steels et al.
4,430,351 A 2/1984 Cillario

FOREIGN PATENT DOCUMENTS

BE 1009616 6/1997
BE 1009620 A6 6/1997
CH 688788 A5 3/1998
CN 1078110 A 11/1993
DE 2020212001026 U1 3/2012
EP 0170770 A2 2/1986
EP 0957043 A1 11/1999
EP 1994833 A1 11/2008
EP 2620056 A1 7/2013
GB 465242 5/1937
GB 1600551 10/1981
GB 2432773 A 6/2007
WO 9940800 A1 8/1990
WO 2012055925 A2 5/2012



OTHER PUBLICATIONS

Charlene. "Target Twix Candy Bars .21 and Clearance Deals." My Frugal Adventures. Nov. 7, 2013. Web. Jan. 14, 2017. <<http://myfrugaladventures.com/2013/11/target-twix-candy-bars-21-and-clearance-deals/>>.*

"A History of Historical Stories", Pearson Candy Company, Feb. 7, 2014, Retrieved from: <http://web.archive.org/web/20140207211713/http://pearsoncandy.com/history>, pp. 1-10.

"Necco—Sky Bar (USA)", Snackertainment, Jul. 15, 2009, Retrieved from https://web.archive.org/web/20090715234444/http://snackertainment.com/Necco_SkyBar.html, 1 page.

Szczesniak et al., "Development of Standard Rating Scales for Mechanical Parameters of Texture and Correlation Between the Objective and the Sensory Methods of Texture Evaluation", Journal of Food Science, vol. 28, Issue 4, Jul. 1963, pp. 397-403.

* cited by examiner

Primary Examiner — Garth Rademaker

Assistant Examiner — Katie Stofko

(74) *Attorney, Agent, or Firm* — Arent Fox LLP

(57) **CLAIM**

The ornamental design for a confectionery bar, as shown and described.

DESCRIPTION

FIG. 1 is a top, left perspective view of a first embodiment of a confectionery bar;

FIG. 2 is a right side elevational view of the confectionery bar of FIG. 1;

FIG. 3 is a left side elevational view of the confectionery bar of FIG. 1;

FIG. 4 is a front elevational view of the confectionery bar of FIG. 1;

FIG. 5 is a rear elevational view of the confectionery bar of FIG. 1;

FIG. 6 is a top plan view of the confectionery bar of FIG. 1;

FIG. 7 is a bottom plan view of the confectionery bar of FIG. 1;

FIG. 8 is a top, left perspective view of a second embodiment of a confectionery bar;

FIG. 9 is a right side elevational view of the confectionery bar of FIG. 8;

FIG. 10 is a left side elevational view of the confectionery bar of FIG. 8;

FIG. 11 is a front elevational view of the confectionery bar of FIG. 8;

FIG. 12 is a rear elevational view of the confectionery bar of FIG. 8;

FIG. 13 is a top plan view of the confectionery bar of FIG. 8;

FIG. 14 is a bottom plan view of the confectionery bar of FIG. 8;

FIG. 15 is a top, left perspective view of a third embodiment of a confectionery bar;

FIG. 16 is a right side elevational view of the confectionery bar of FIG. 15;

FIG. 17 is a left side elevational view of the confectionery bar of FIG. 15;

FIG. 18 is a front elevational view of the confectionery bar of FIG. 15;

FIG. 19 is a rear elevational view of the confectionery bar of FIG. 15;

FIG. 20 is a top plan view of the confectionery bar of FIG. 15;

FIG. 21 is a bottom plan view of the confectionery bar of FIG. 15;

FIG. 22 is a top, left perspective view of a fourth embodiment of a confectionery bar;

FIG. 23 is a right side elevational view of the confectionery bar of FIG. 22;

FIG. 24 is a left side elevational view of the confectionery bar of FIG. 22;

FIG. 25 is a front elevational view of the confectionery bar of FIG. 22;

FIG. 26 is a rear elevational view of the confectionery bar of FIG. 22;

FIG. 27 is a top plan view of the confectionery bar of FIG. 22;

FIG. 28 is a bottom plan view of the confectionery bar of FIG. 22;

FIG. 29 is a top, left perspective view of a fifth embodiment of a confectionery bar;

FIG. 30 is a right side elevational view of the confectionery bar of FIG. 29;

FIG. 31 is a left side elevational view of the confectionery bar of FIG. 29;

FIG. 32 is a front elevational view of the confectionery bar of FIG. 29;

FIG. 33 is a rear elevational view of the confectionery bar of FIG. 29;

FIG. 34 is a top plan view of the confectionery bar of FIG. 29;

FIG. 35 is a bottom plan view of the confectionery bar of FIG. 29;

FIG. 36 is a top, left perspective view of a sixth embodiment of a confectionery bar;

FIG. 37 is a right side elevational view of the confectionery bar of FIG. 36;

FIG. 38 is a left side elevational view of the confectionery bar of FIG. 36;

FIG. 39 is a front elevational view of the confectionery bar of FIG. 36;

FIG. 40 is a rear elevational view of the confectionery bar of FIG. 36;

FIG. 41 is a top plan view of the confectionery bar of FIG. 36; and,

FIG. 42 is a bottom plan view of the confectionery bar of FIG. 36.

The break lines shown in the middle portion of the confectionery bar in FIGS. 8-10, 13-14, 22-24, 27-28, 36-38 and 41-42 indicate that the appearance of any portion of the article between the break lines forms no part of the claimed design.

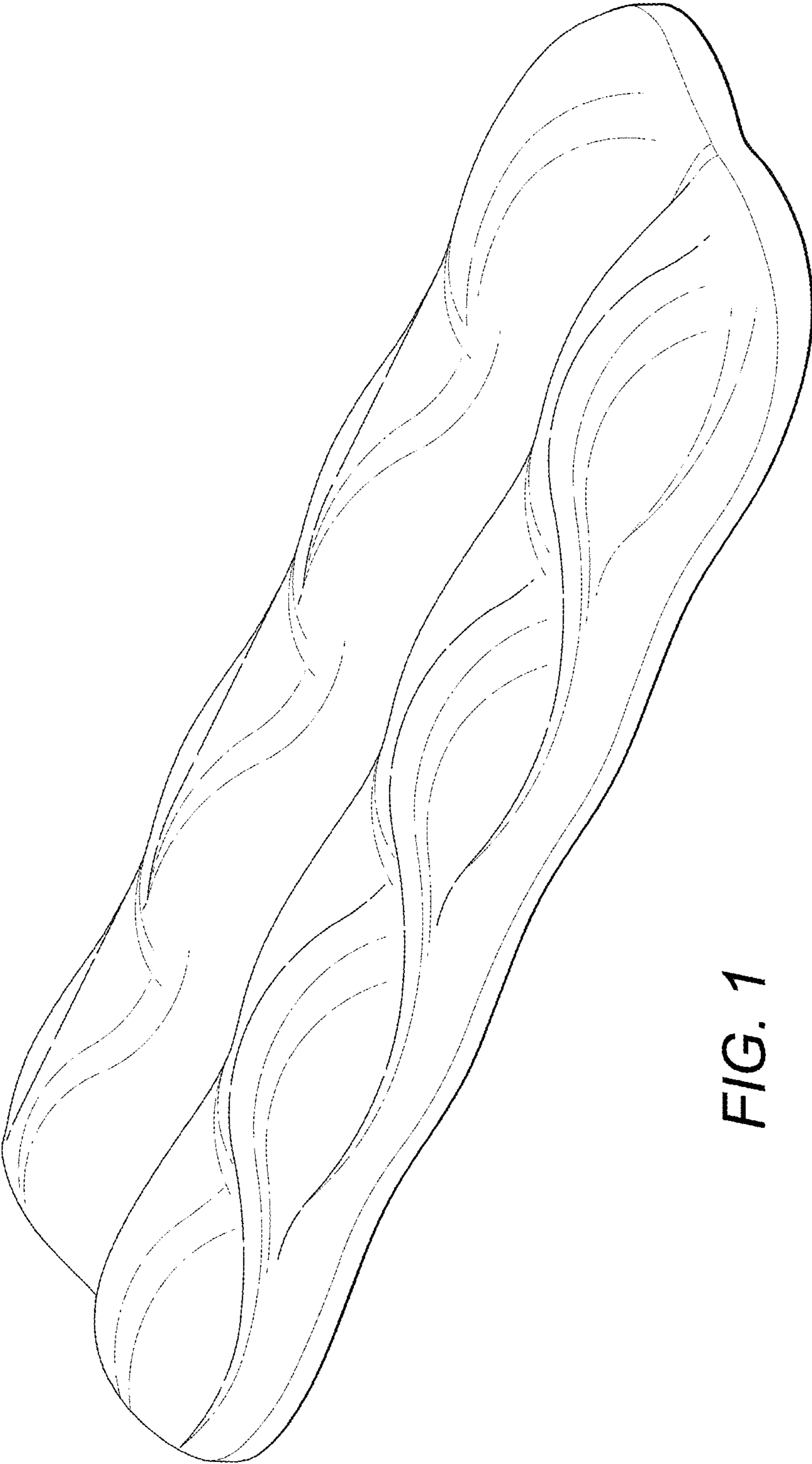


FIG. 1

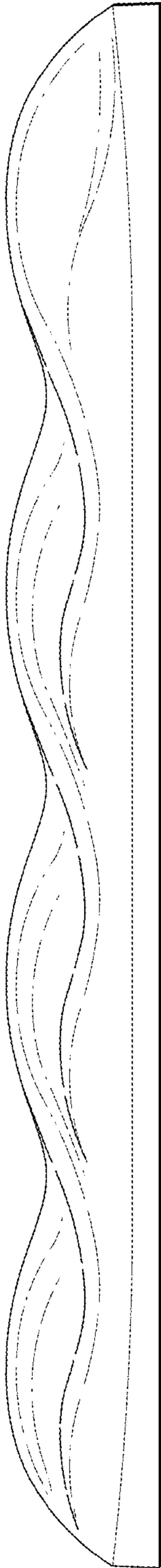


FIG. 2

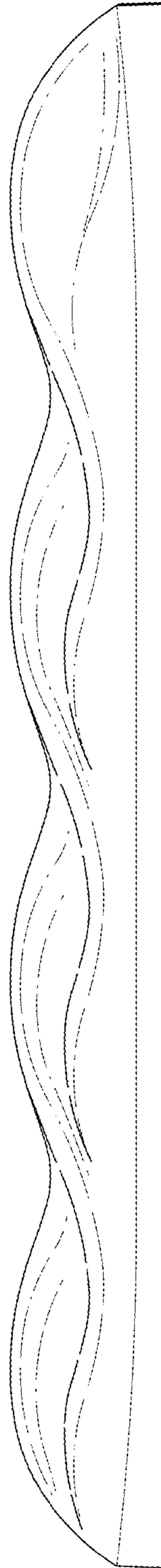


FIG. 3

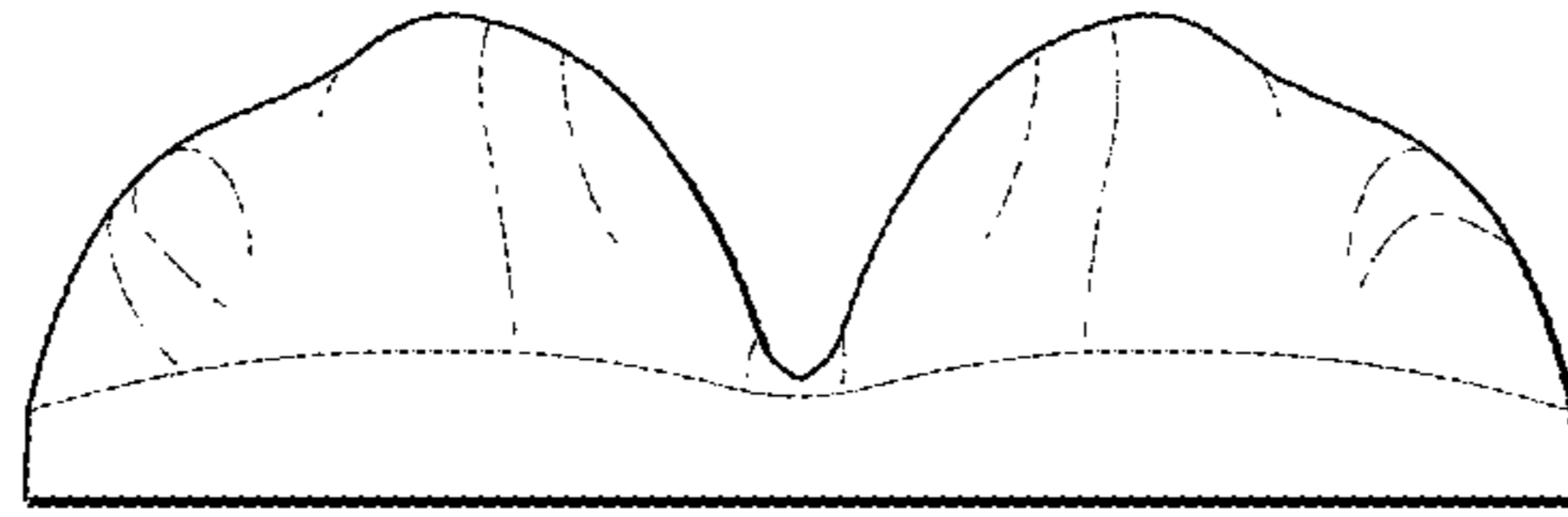


FIG. 4

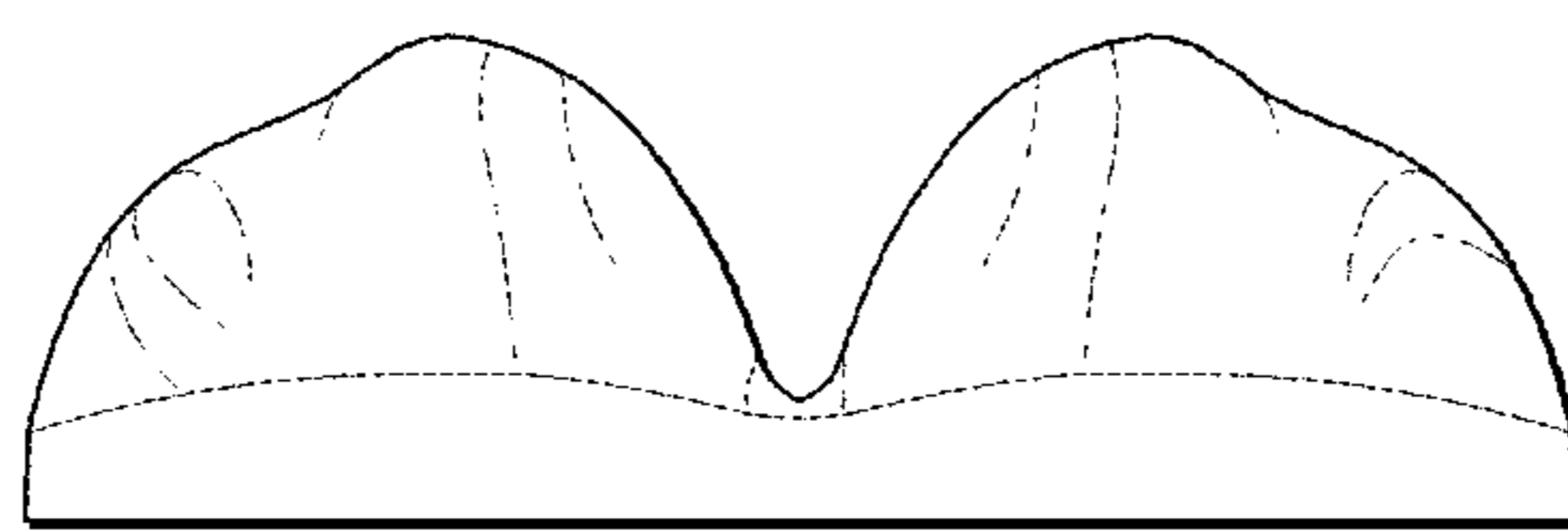


FIG. 5

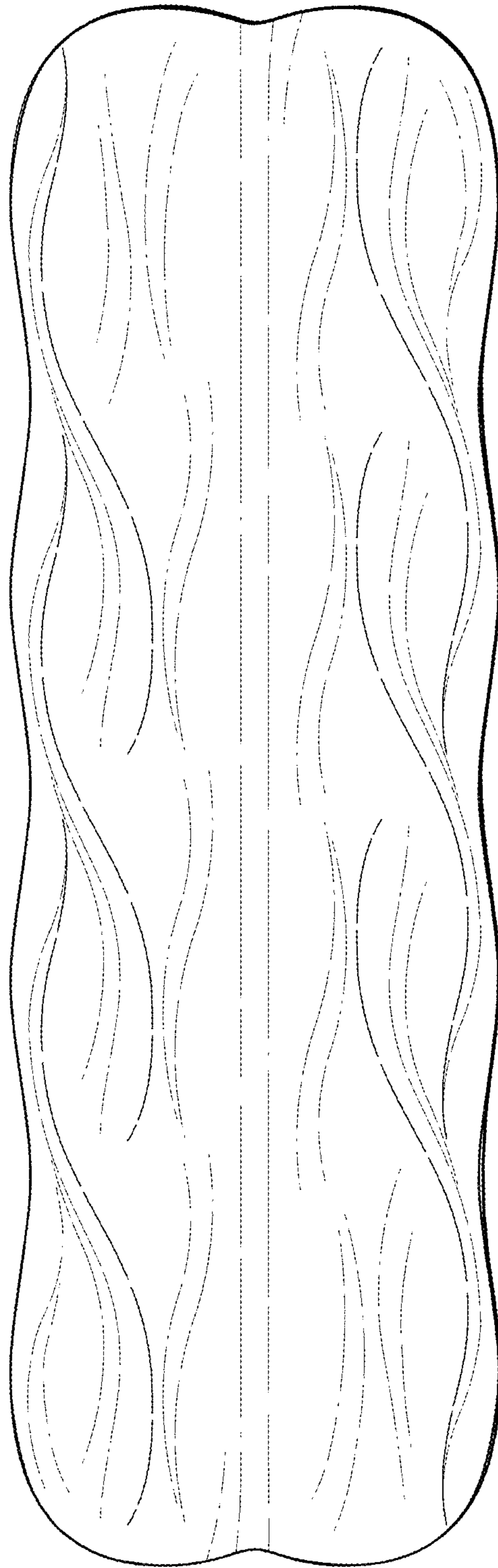


FIG. 6

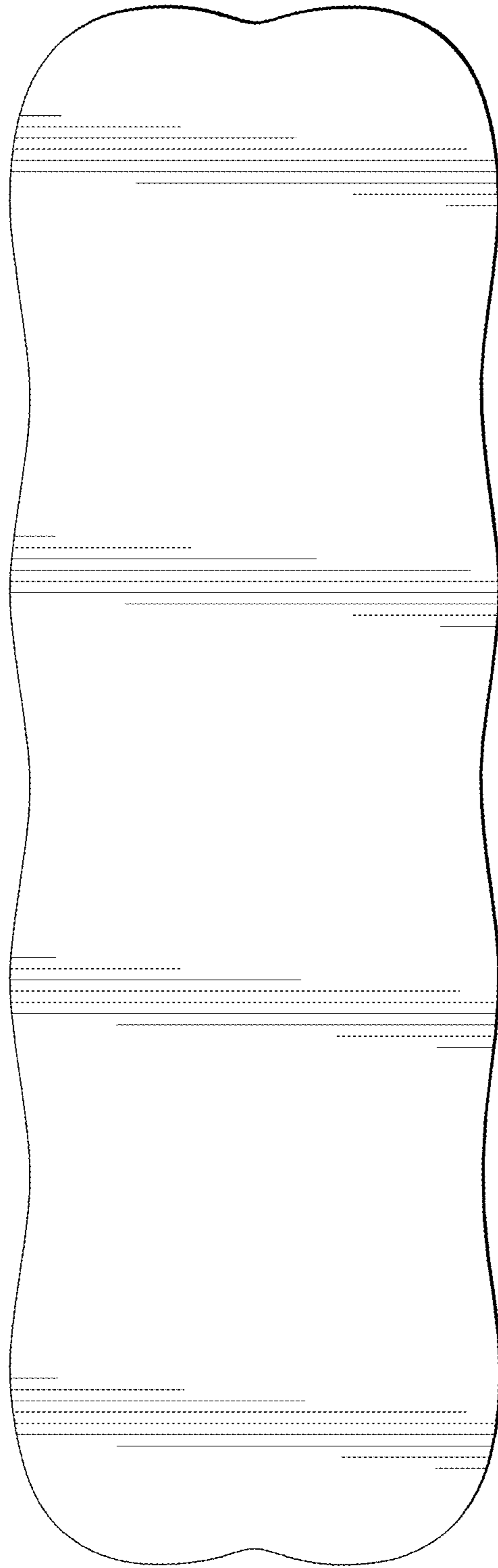


FIG. 7

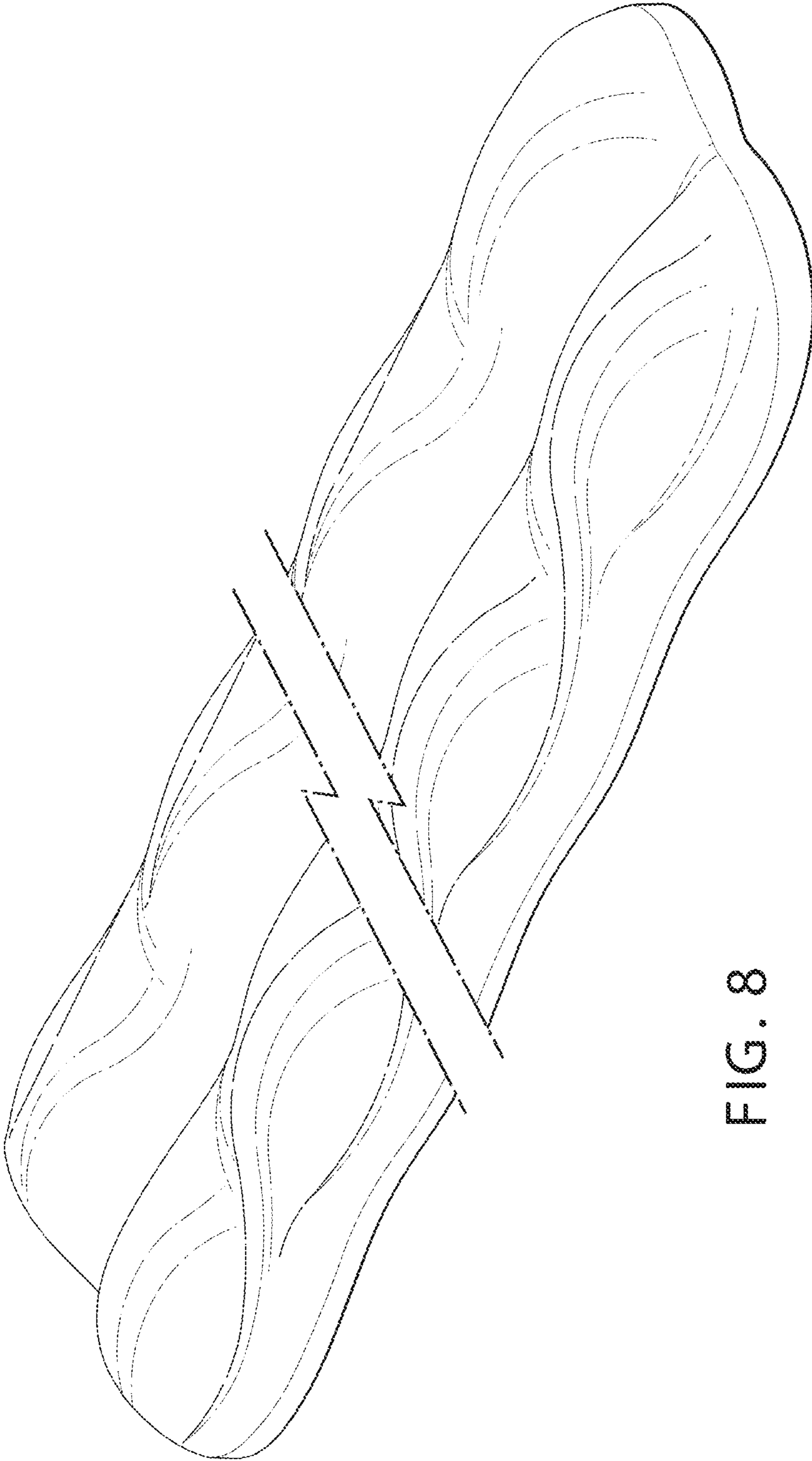


FIG. 8

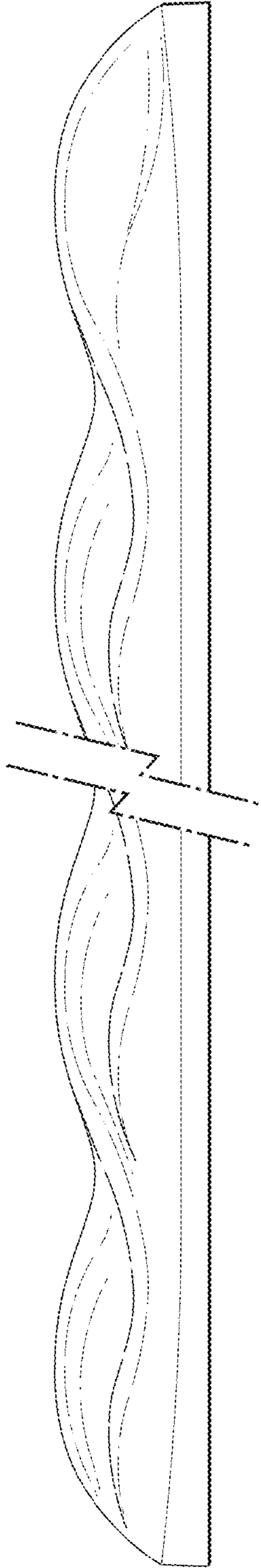


FIG. 9

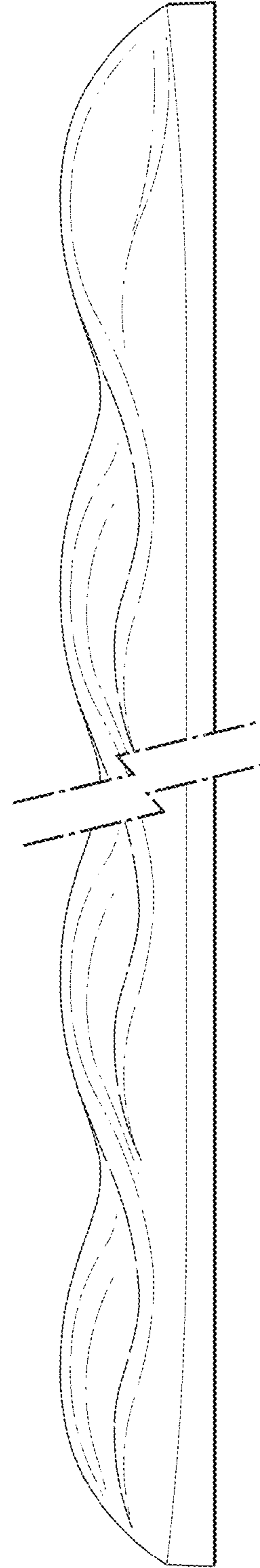


FIG. 10

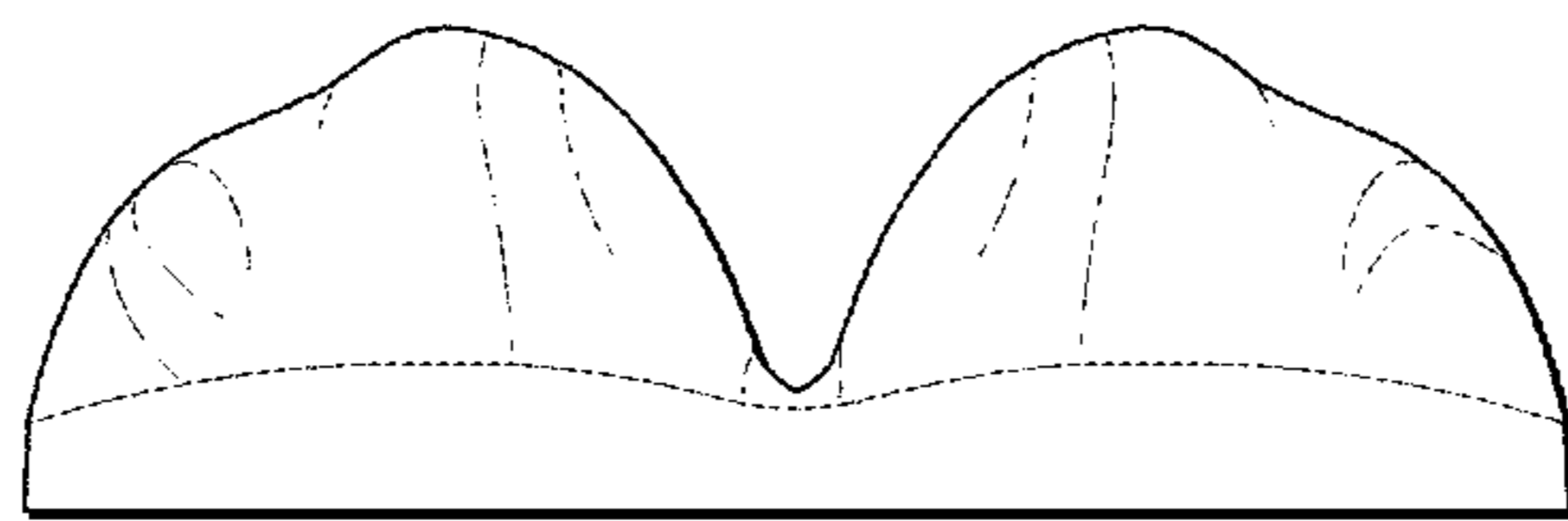


FIG. 11

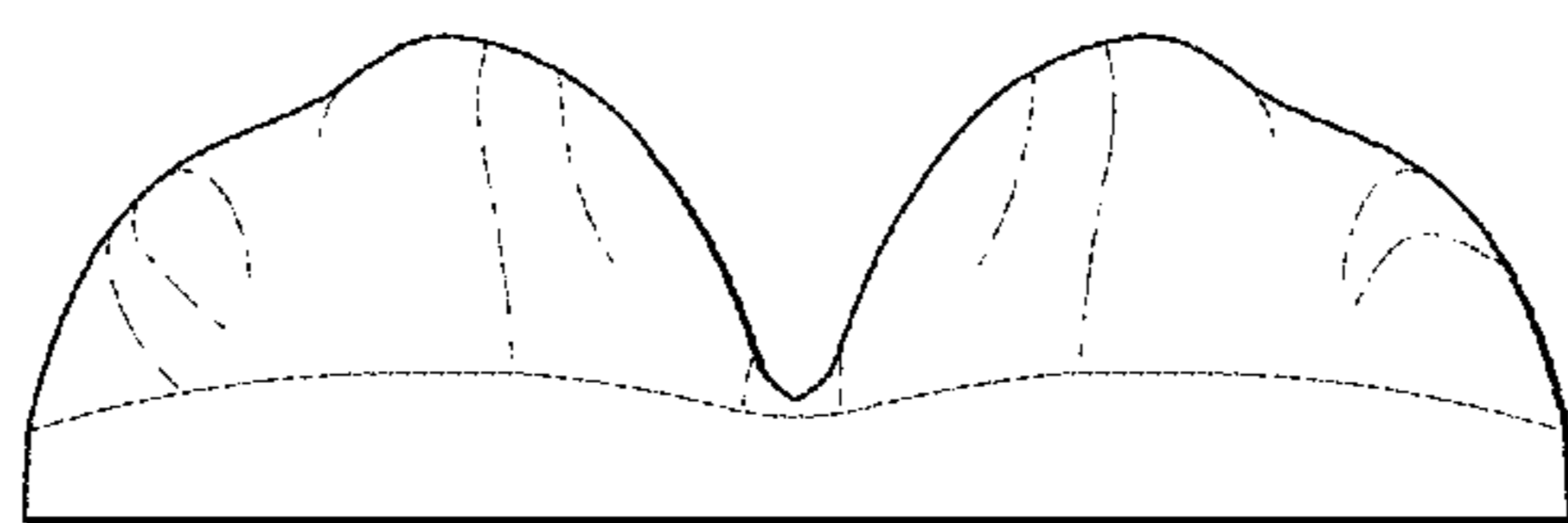


FIG. 12

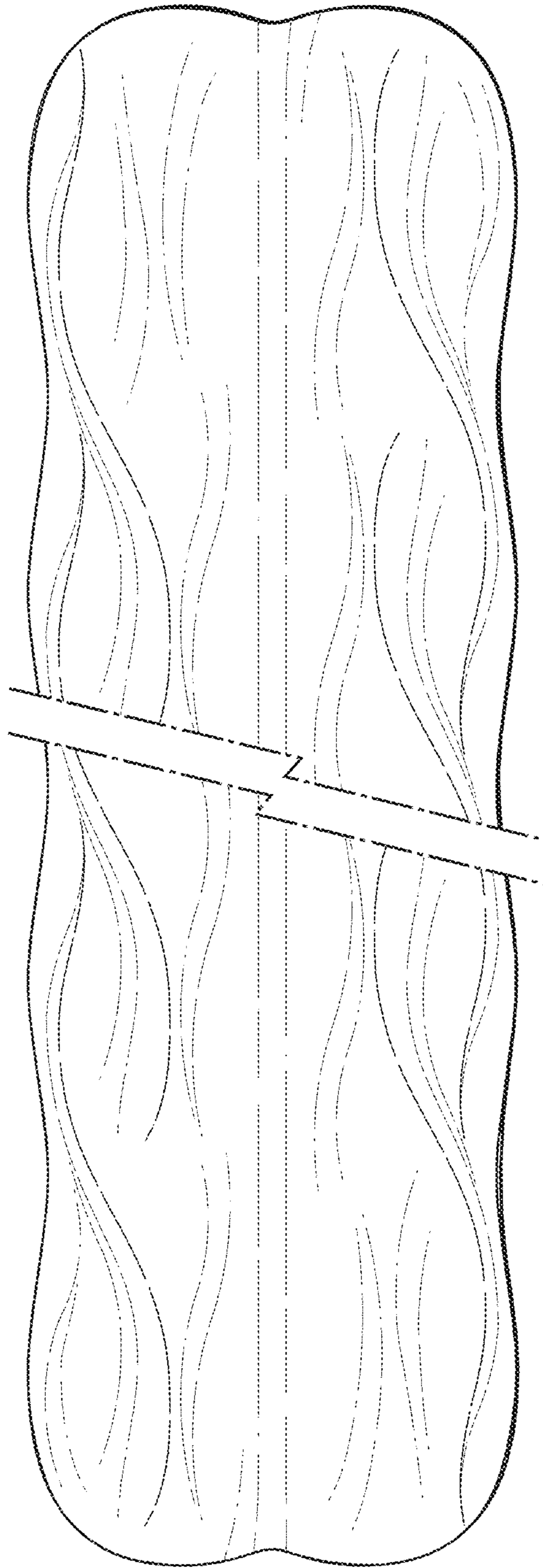


FIG. 13

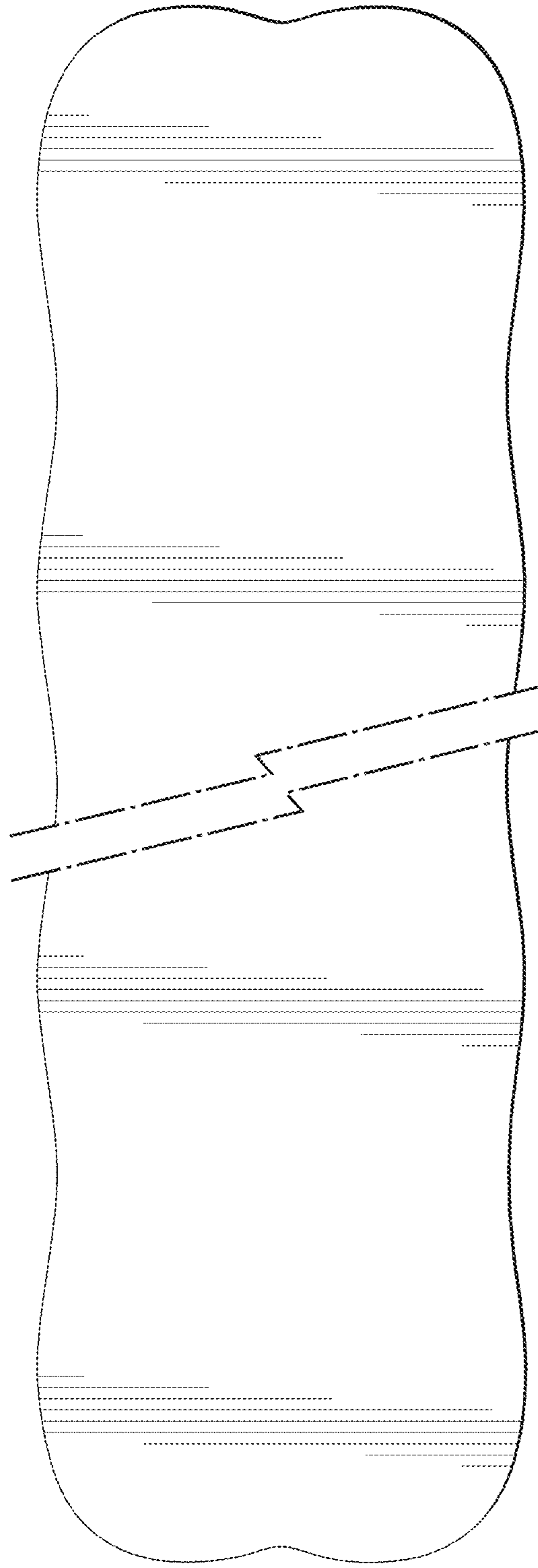


FIG. 14

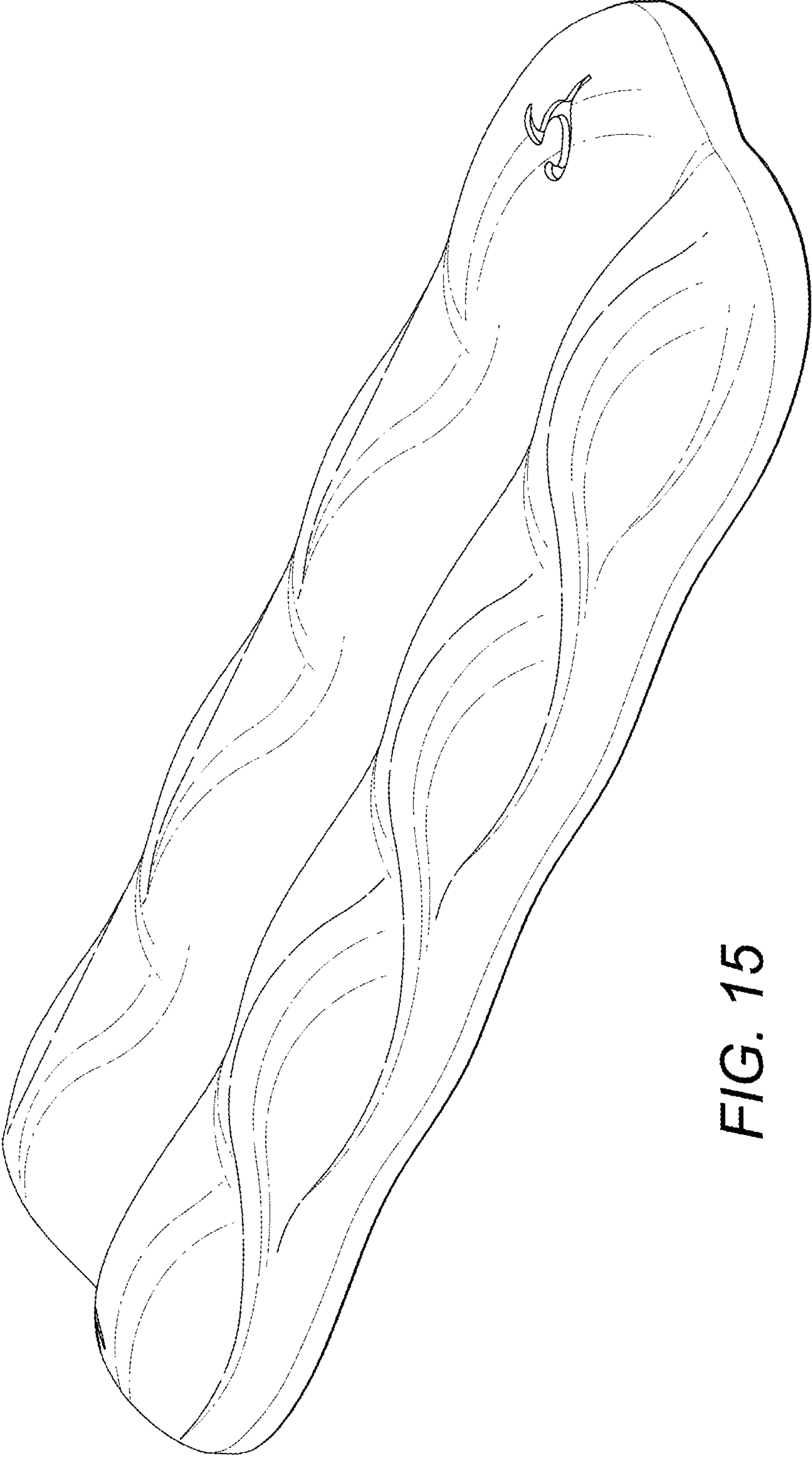


FIG. 15

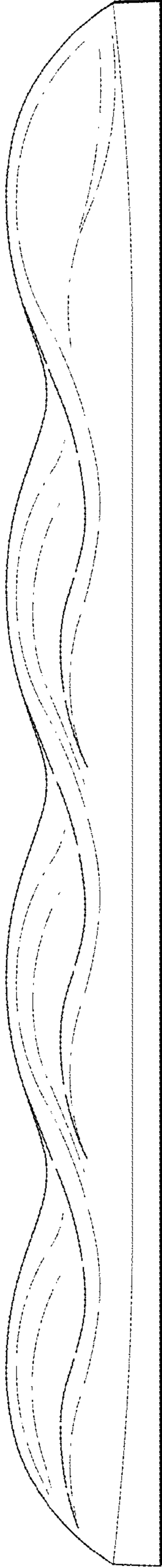


FIG. 16

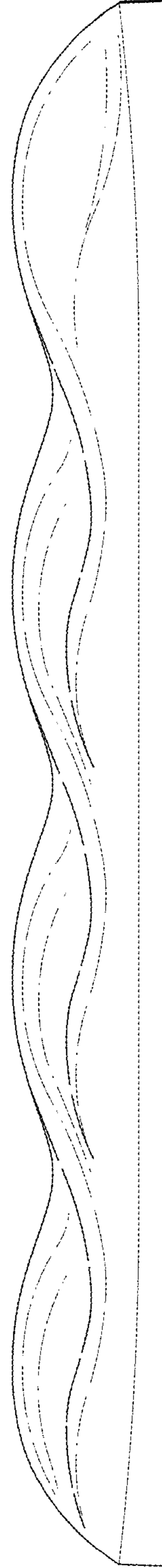


FIG. 17

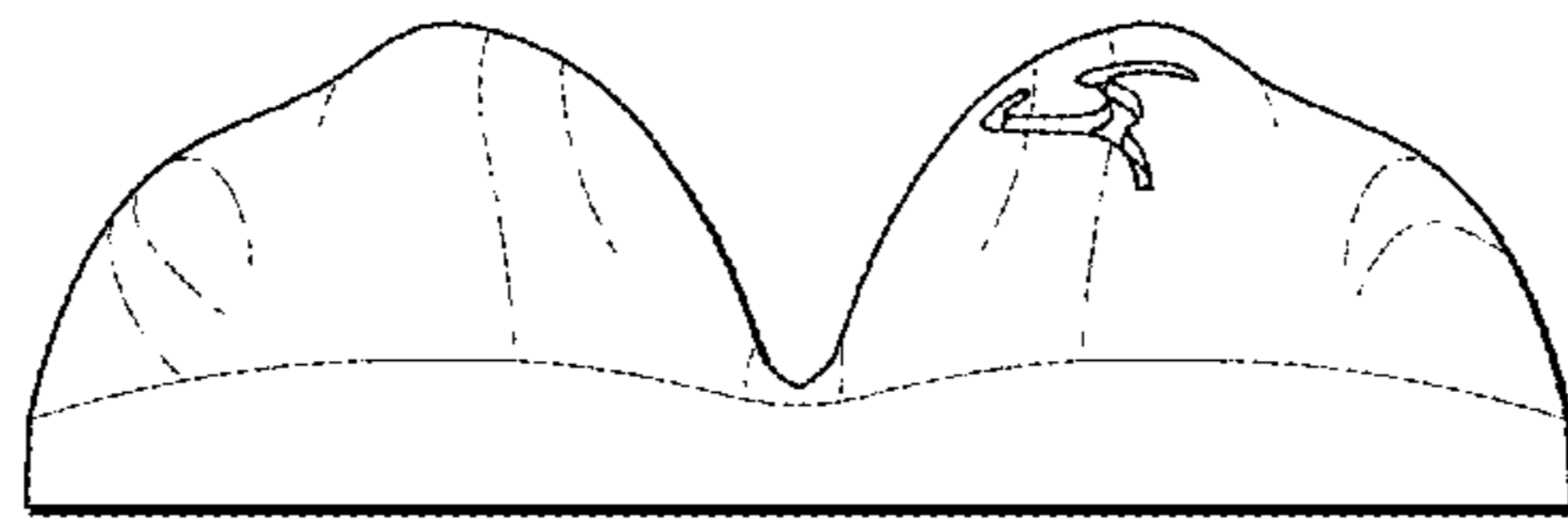


FIG. 18

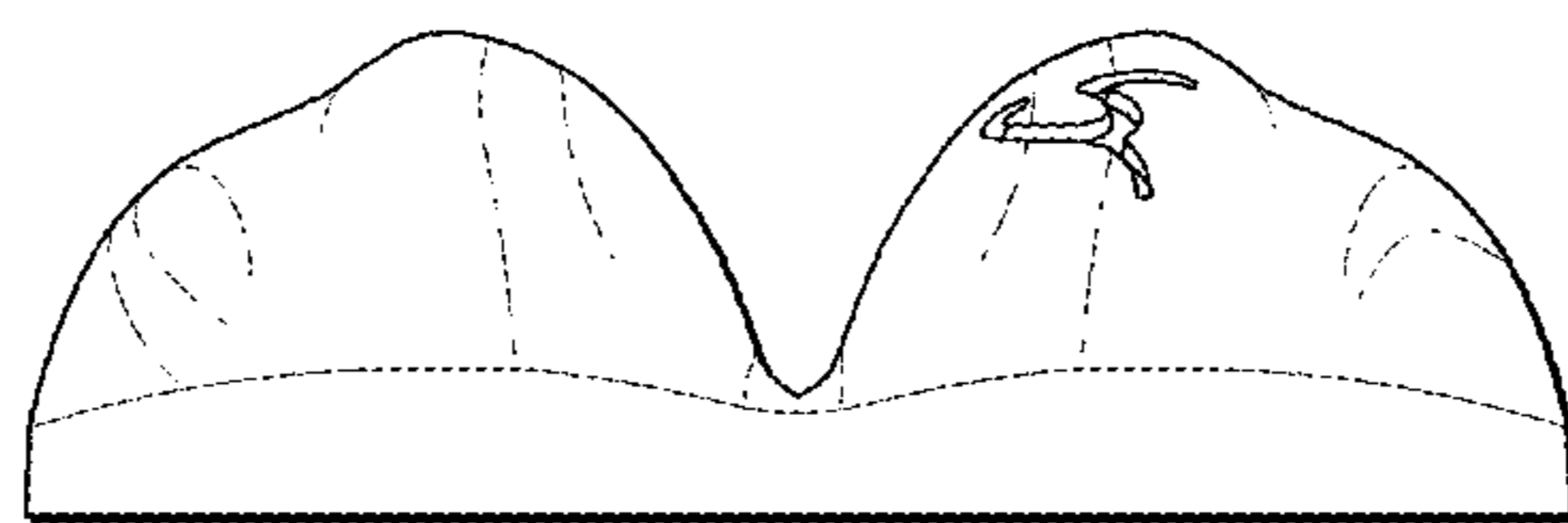


FIG. 19

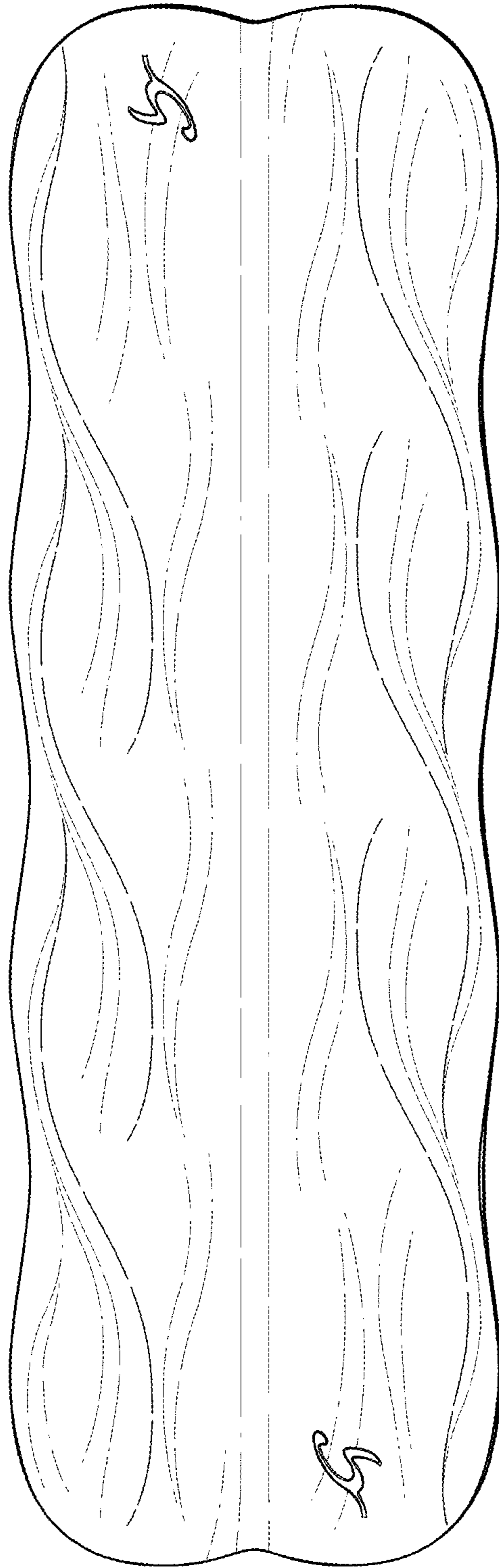


FIG. 20

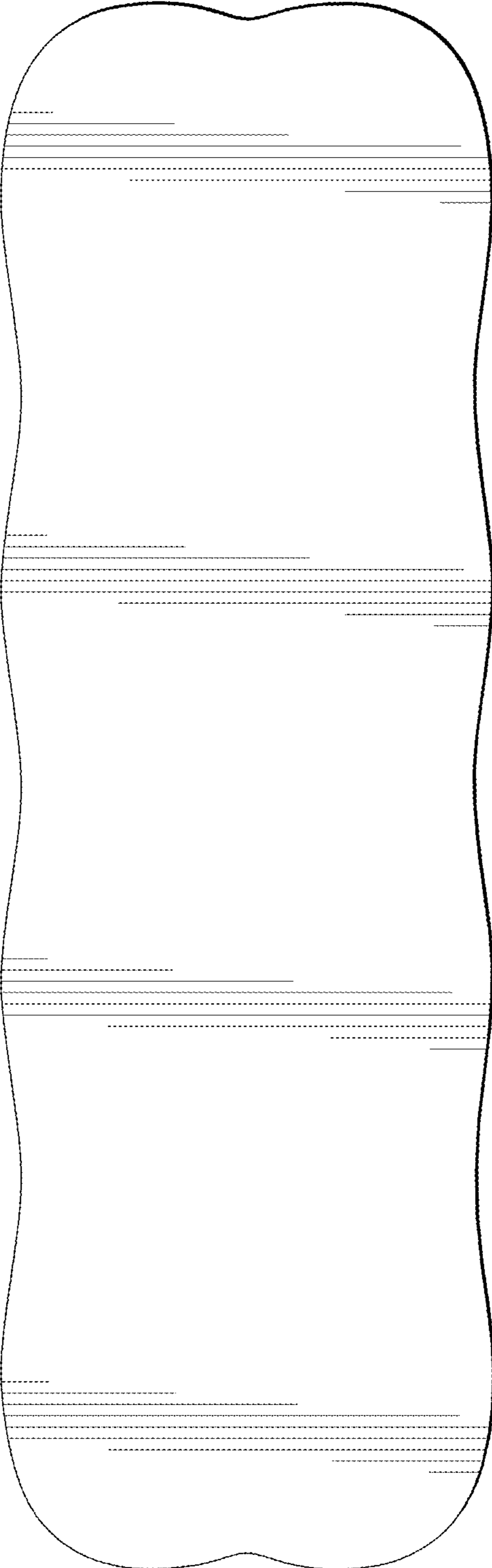


FIG. 21

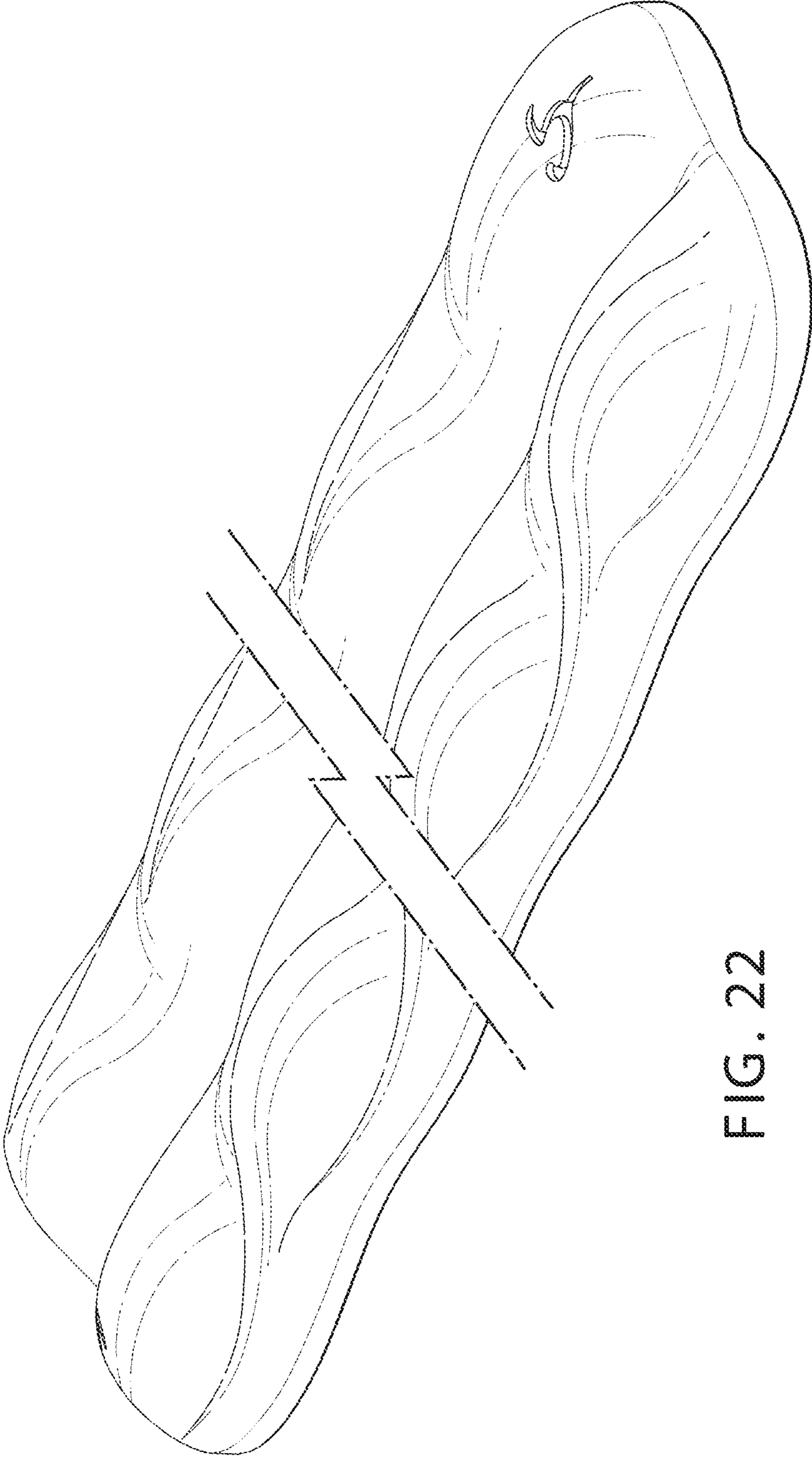


FIG. 22

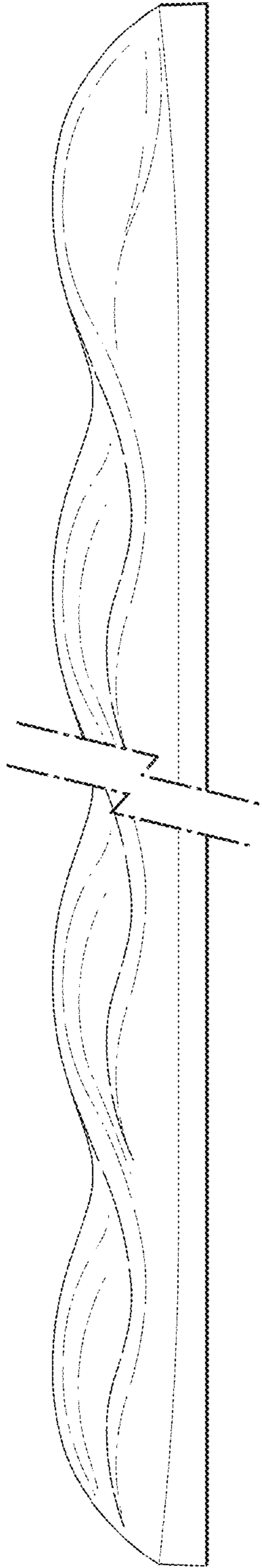


FIG. 23

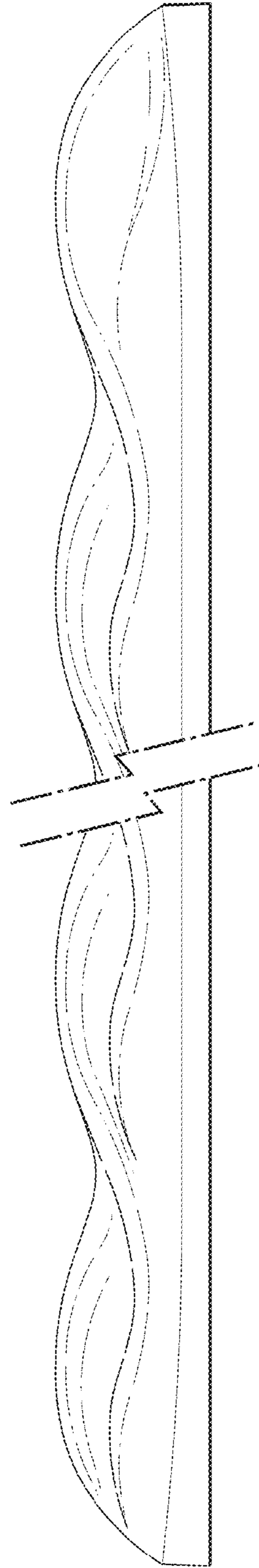


FIG. 24

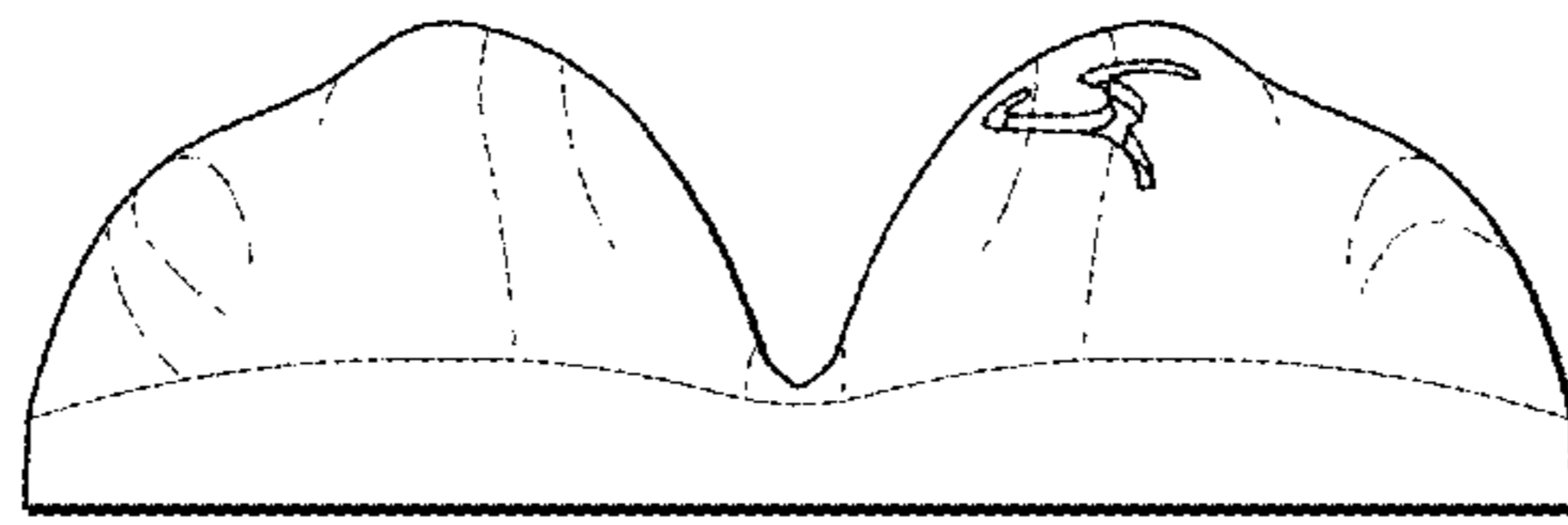


FIG. 25

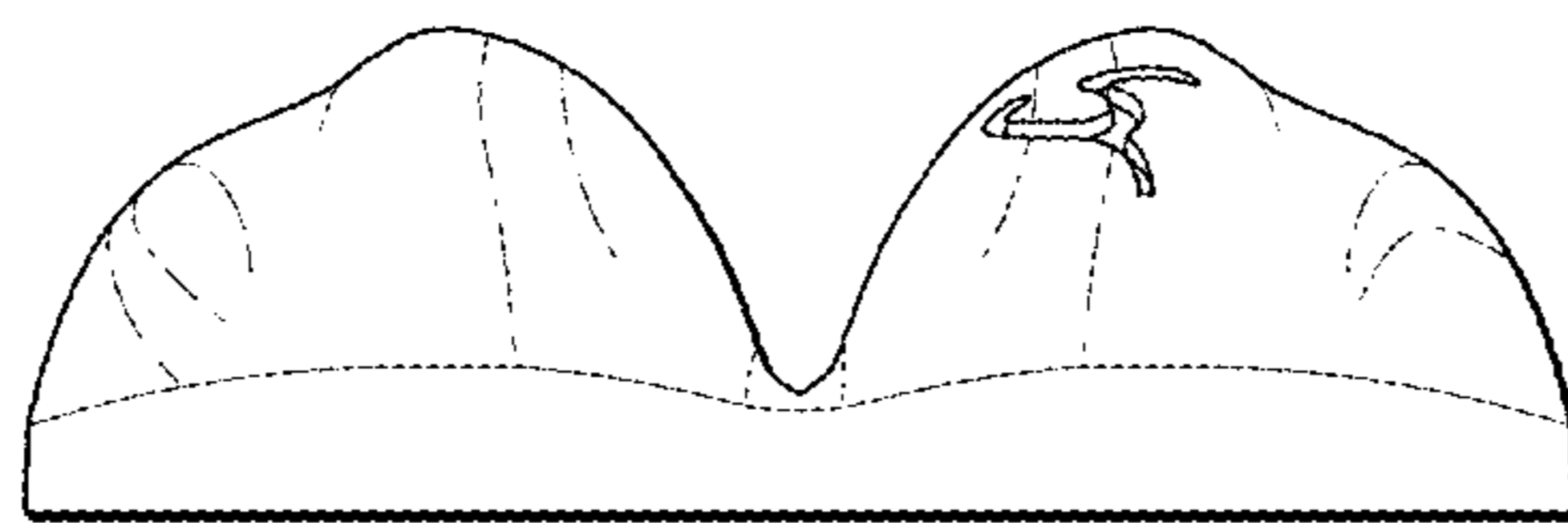


FIG. 26

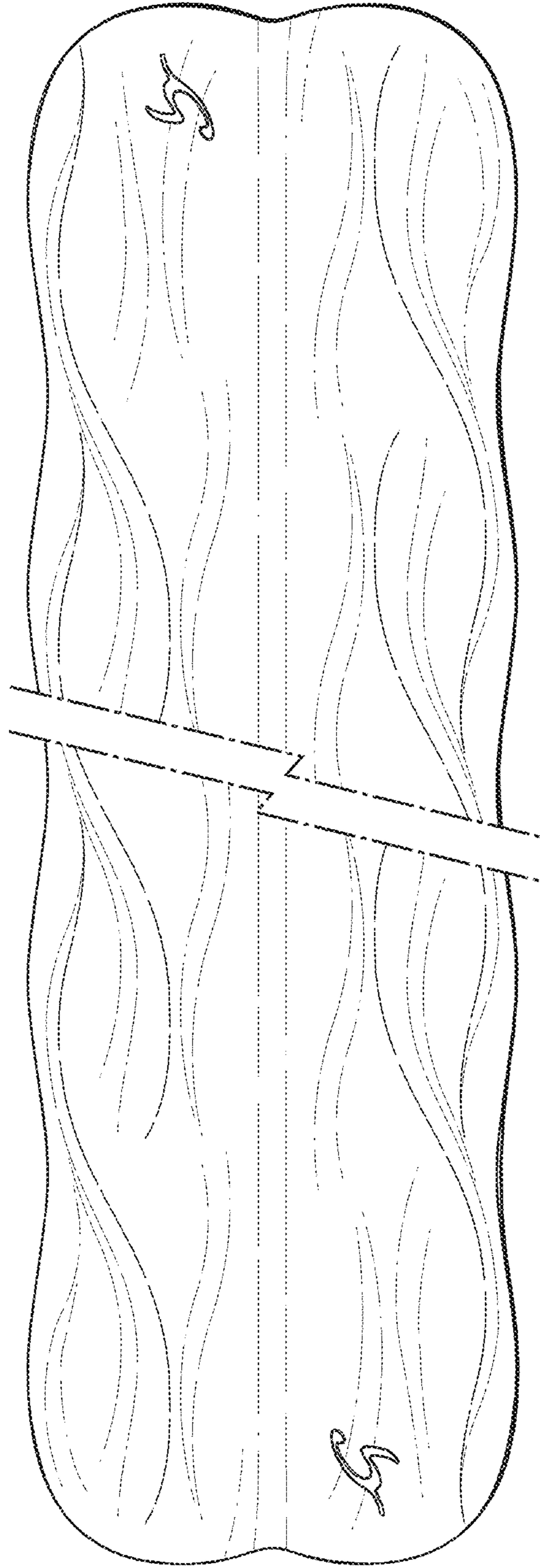


FIG. 27

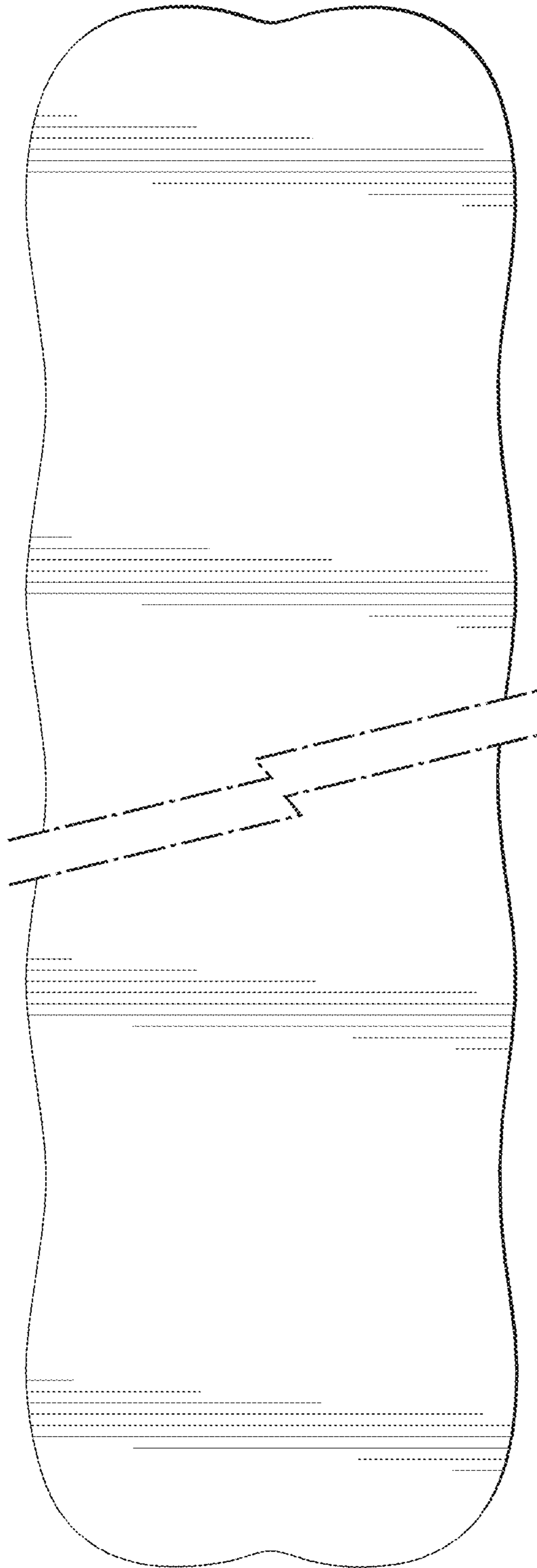


FIG. 28

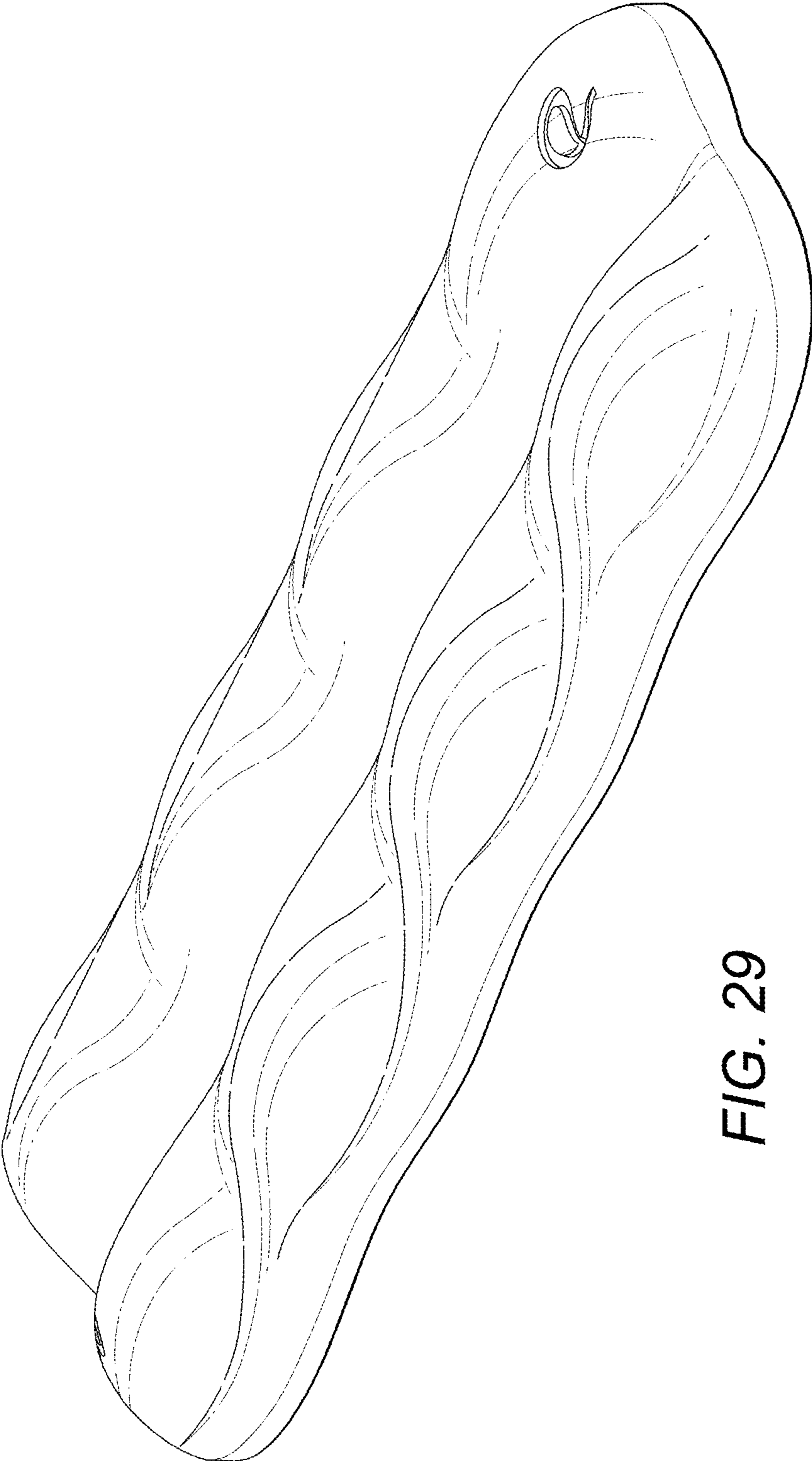


FIG. 29

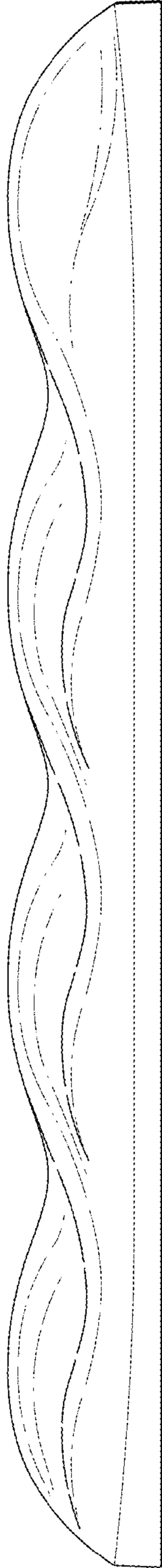


FIG. 30

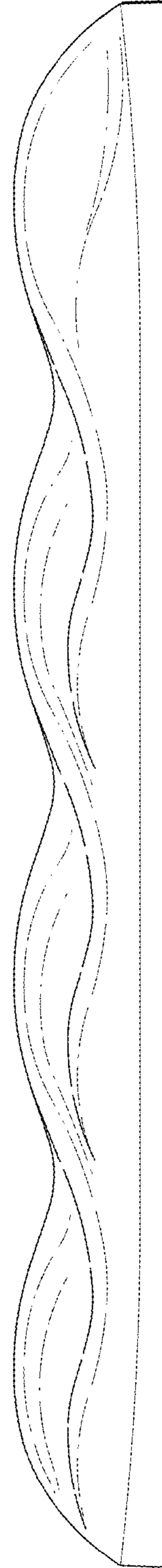


FIG. 31

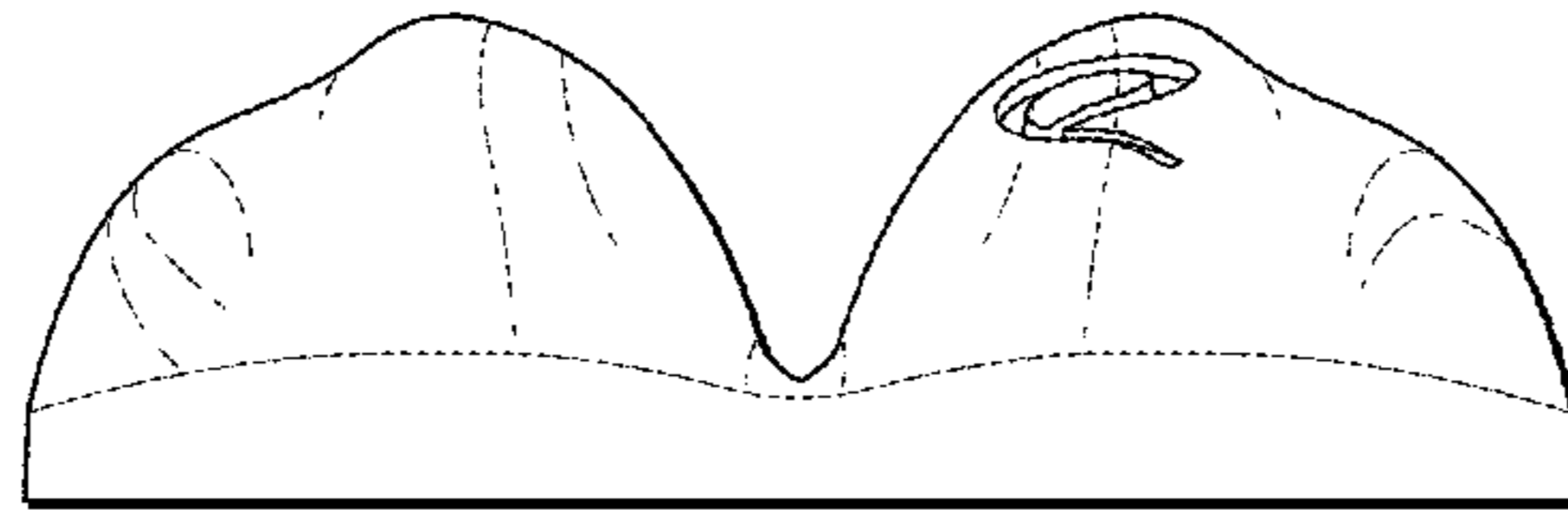


FIG. 32

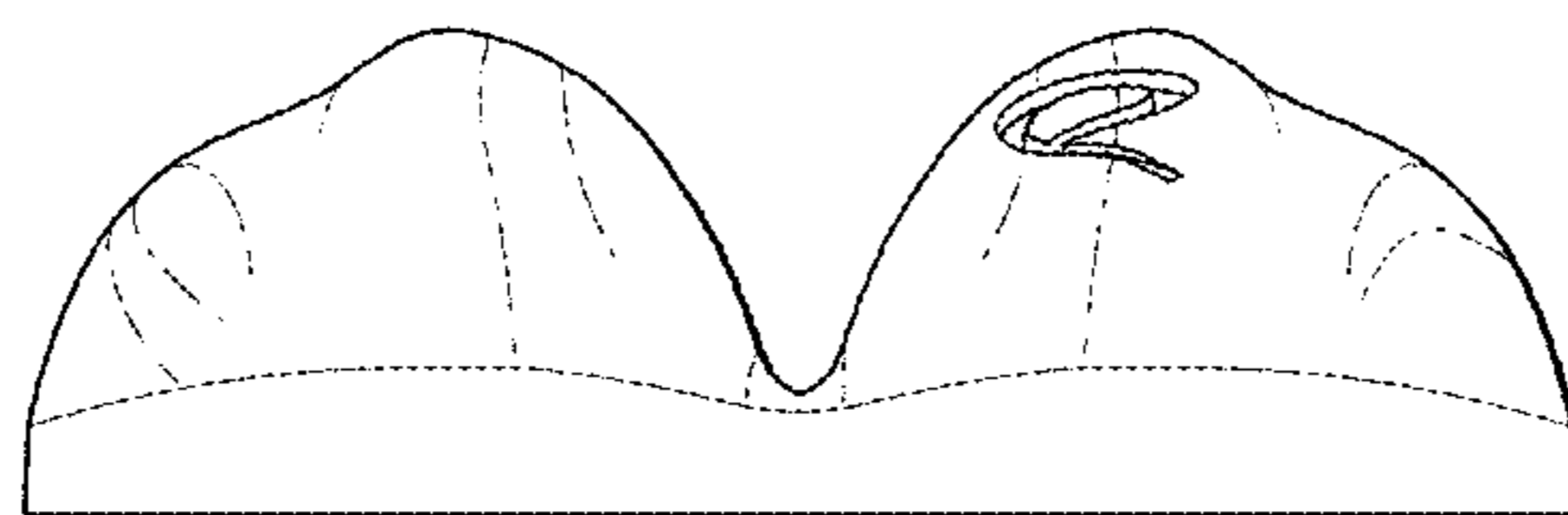


FIG. 33

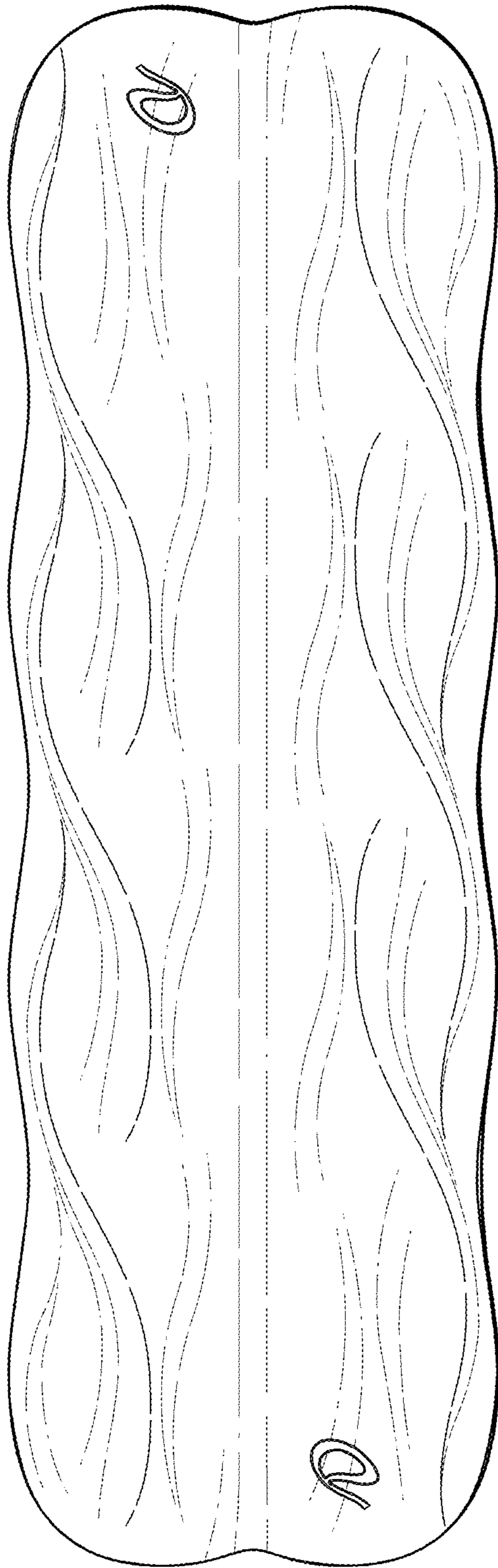


FIG. 34

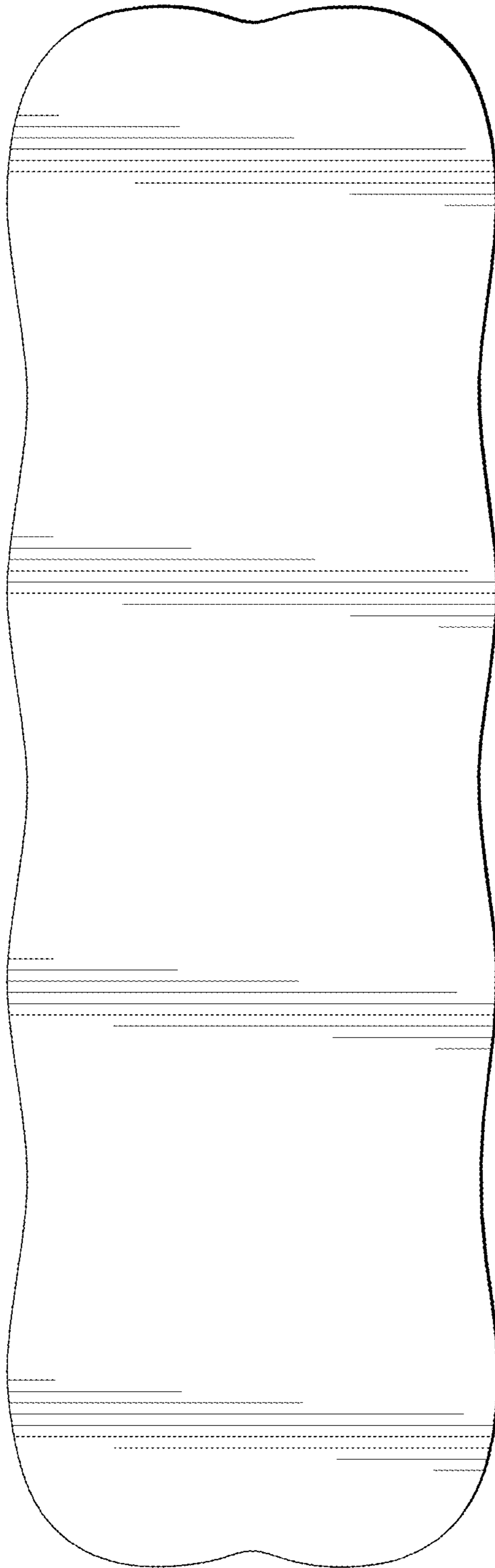


FIG. 35

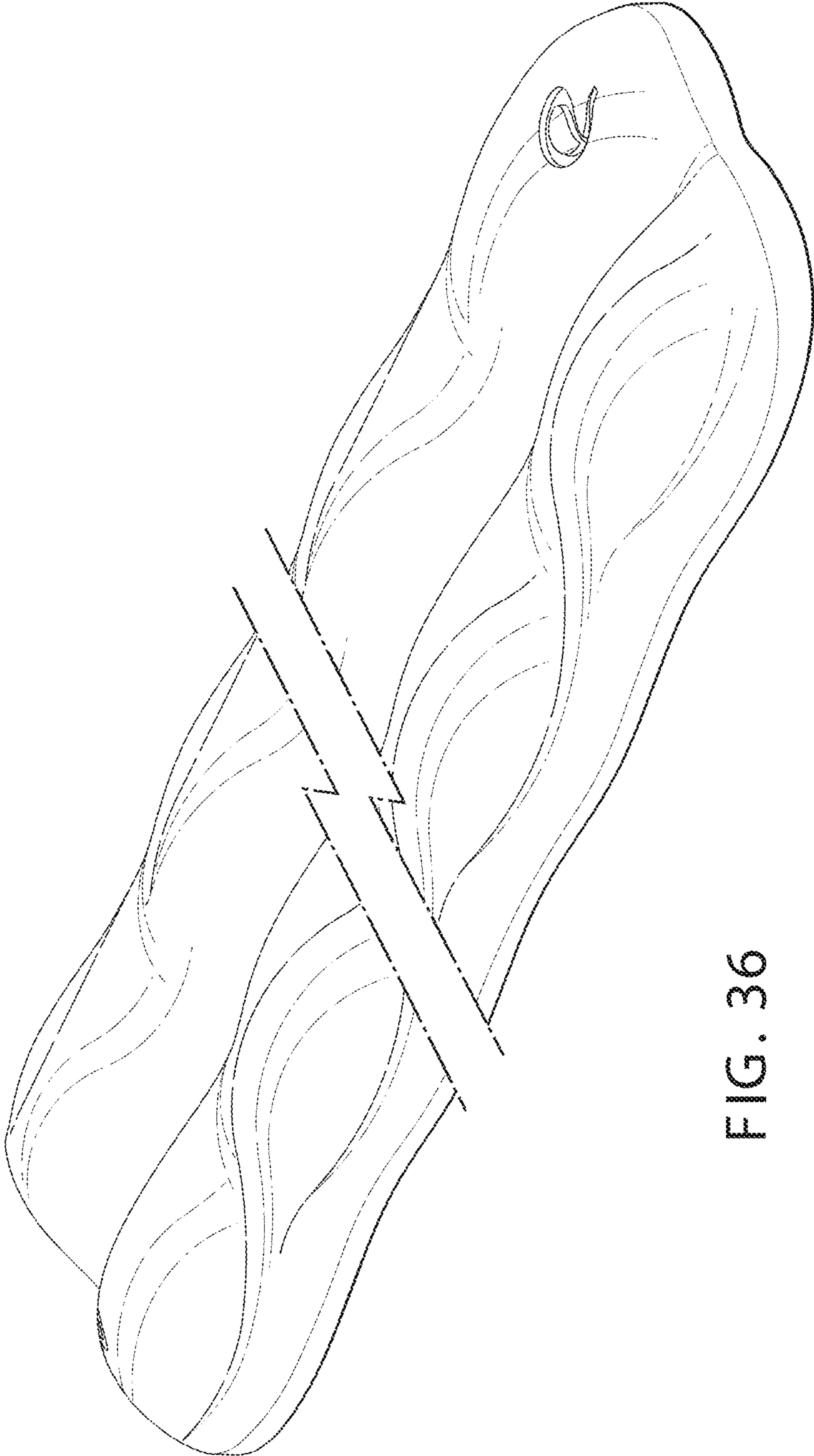


FIG. 36

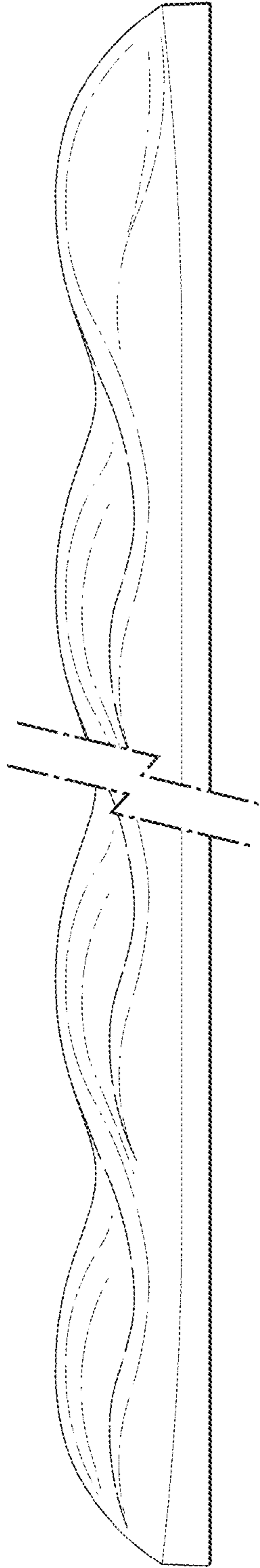


FIG. 37

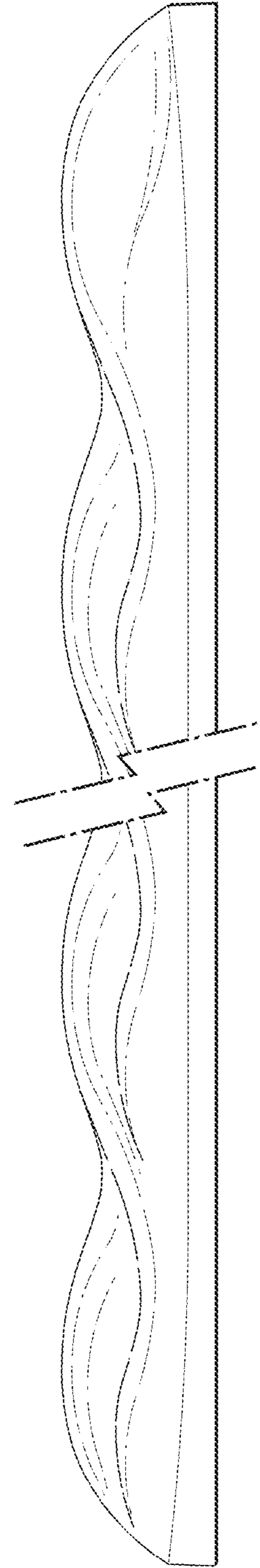


FIG. 38

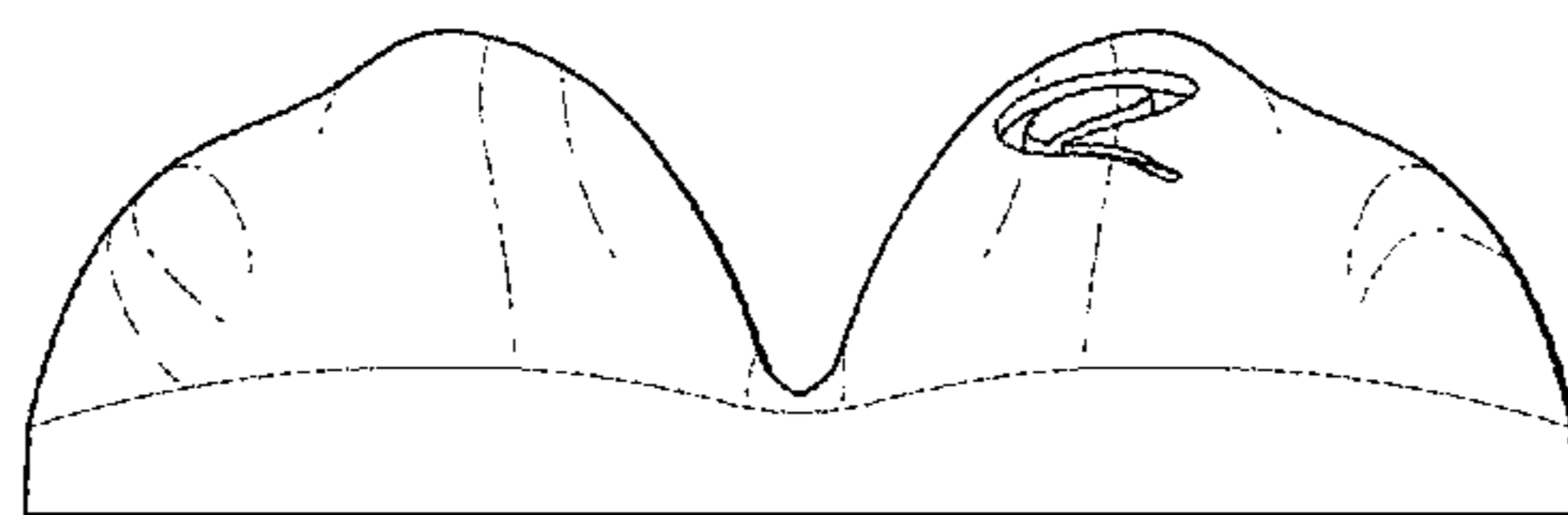


FIG. 39

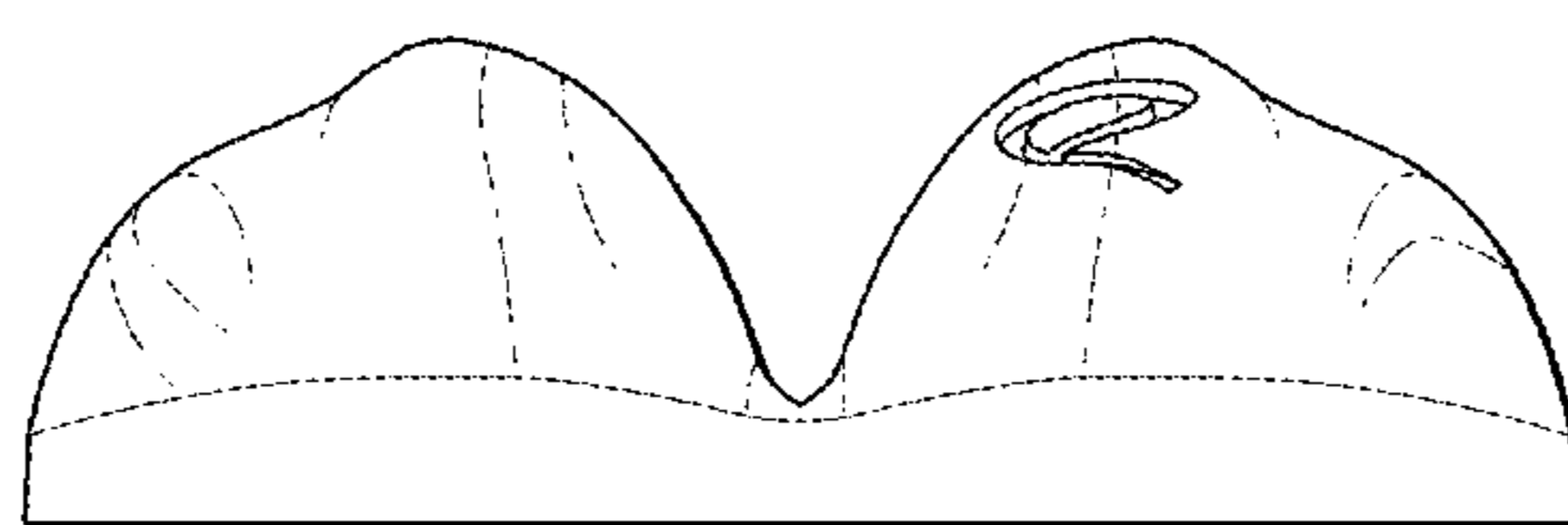


FIG. 40

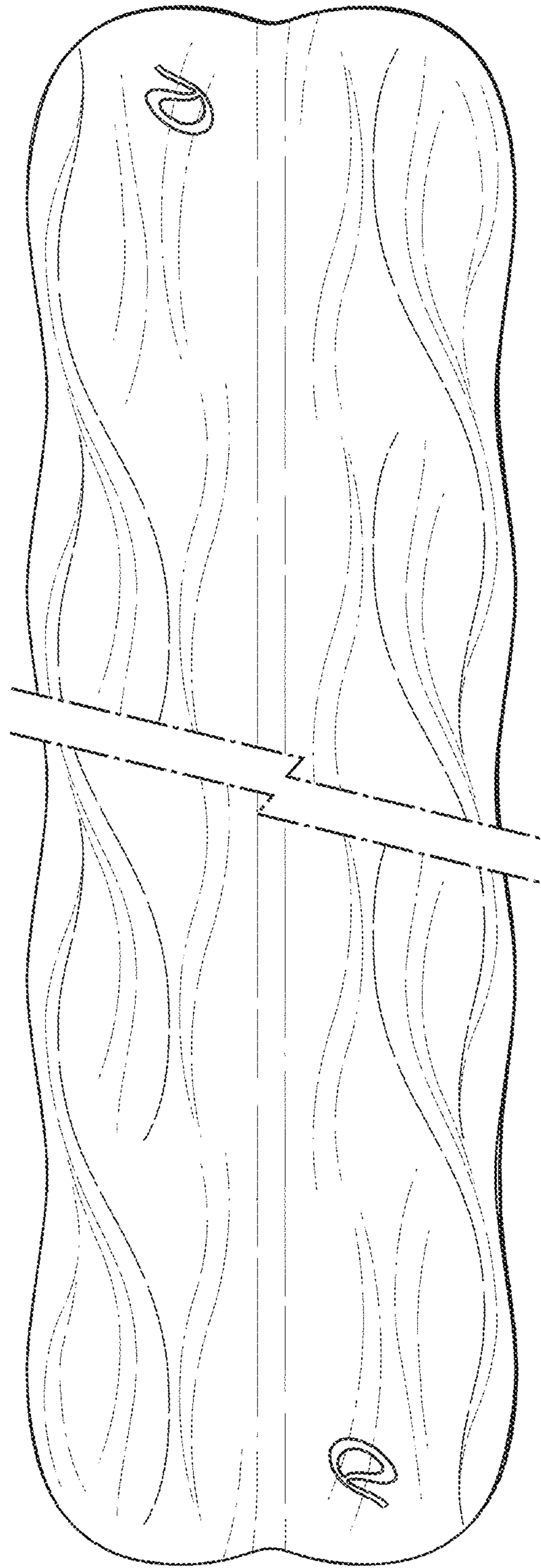


FIG. 41

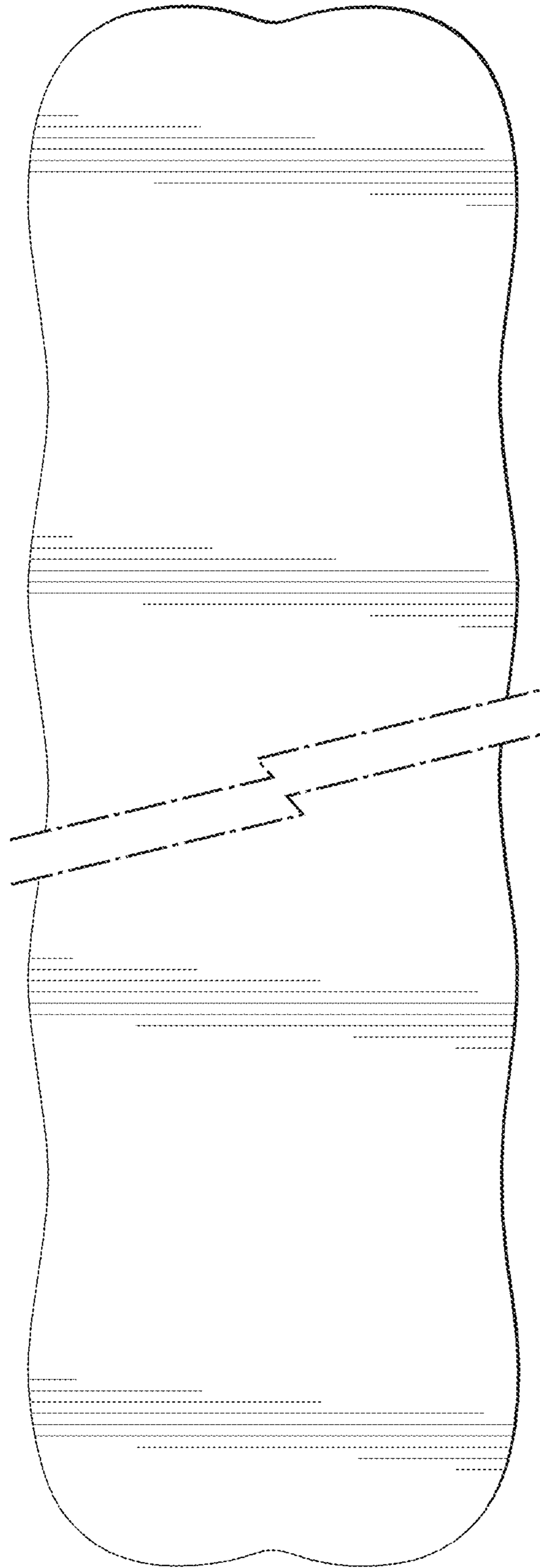


FIG. 42