



US00D809238S

(12) **United States Design Patent**  
**Tratch**

(10) **Patent No.:** **US D809,238 S**

(45) **Date of Patent:** **\*\* Jan. 30, 2018**

(54) **CONVEYOR INTAKE**  
(71) Applicant: **Brandt Industries Ltd.**, Regina (CA)  
(72) Inventor: **Jaime Nolin Tratch**, Yorkton (CA)  
(73) Assignee: **Brandt Industries Ltd.**, Regina, CA  
(US)

6,360,878 B1 \* 3/2002 Deal ..... B65G 15/08  
198/311  
6,471,031 B1 \* 10/2002 Duncalf ..... B65G 21/12  
198/311  
7,866,456 B2 \* 1/2011 Bauman ..... B65G 33/00  
198/311  
8,292,065 B1 \* 10/2012 Neufeld ..... B65G 15/42  
198/699.1

(Continued)

(\*\*) Term: **15 Years**

**OTHER PUBLICATIONS**

(21) Appl. No.: **29/568,184**

Brandt "1535TDLP Brandt's Field GrainBelt", <http://www.brandt.ca/Divisions/Agricultural-Products/Products/GrainBelts/Field-15-Series/1535TDLP>. May 26, 2017. shown in p. 1.\*

(22) Filed: **Jun. 16, 2016**

(30) **Foreign Application Priority Data**

*Primary Examiner* — Cynthia Ramirez  
*Assistant Examiner* — Michael Maharajh  
(74) *Attorney, Agent, or Firm* — Frost Brown Todd LLC

May 19, 2016 (CA) ..... 168558

(51) **LOC (11) Cl.** ..... **12-05**

(52) **U.S. Cl.**  
USPC ..... **D34/35**

(58) **Field of Classification Search**  
USPC ..... D34/28, 35; 198/311, 320, 818,  
198/823-830, 841, 866, 821, 832, 300,  
198/699.1; 406/1, 2, 3, 38, 39, 83;  
D15/10, 11, 12, 13, 27, 28  
CPC ..... B65G 15/08; B65G 39/12; B65G 15/00;  
B65G 65/42

See application file for complete search history.

(56) **References Cited**

**U.S. PATENT DOCUMENTS**

3,563,364 A \* 2/1971 Arndt ..... B65G 41/002  
198/825  
4,369,871 A \* 1/1983 Patten ..... A01D 87/02  
198/841  
5,343,995 A \* 9/1994 Scarrow ..... B65G 69/0441  
198/311  
5,404,993 A \* 4/1995 Scarrow ..... B65G 33/24  
198/311  
6,068,103 A \* 5/2000 Werner ..... B65G 41/002  
198/311

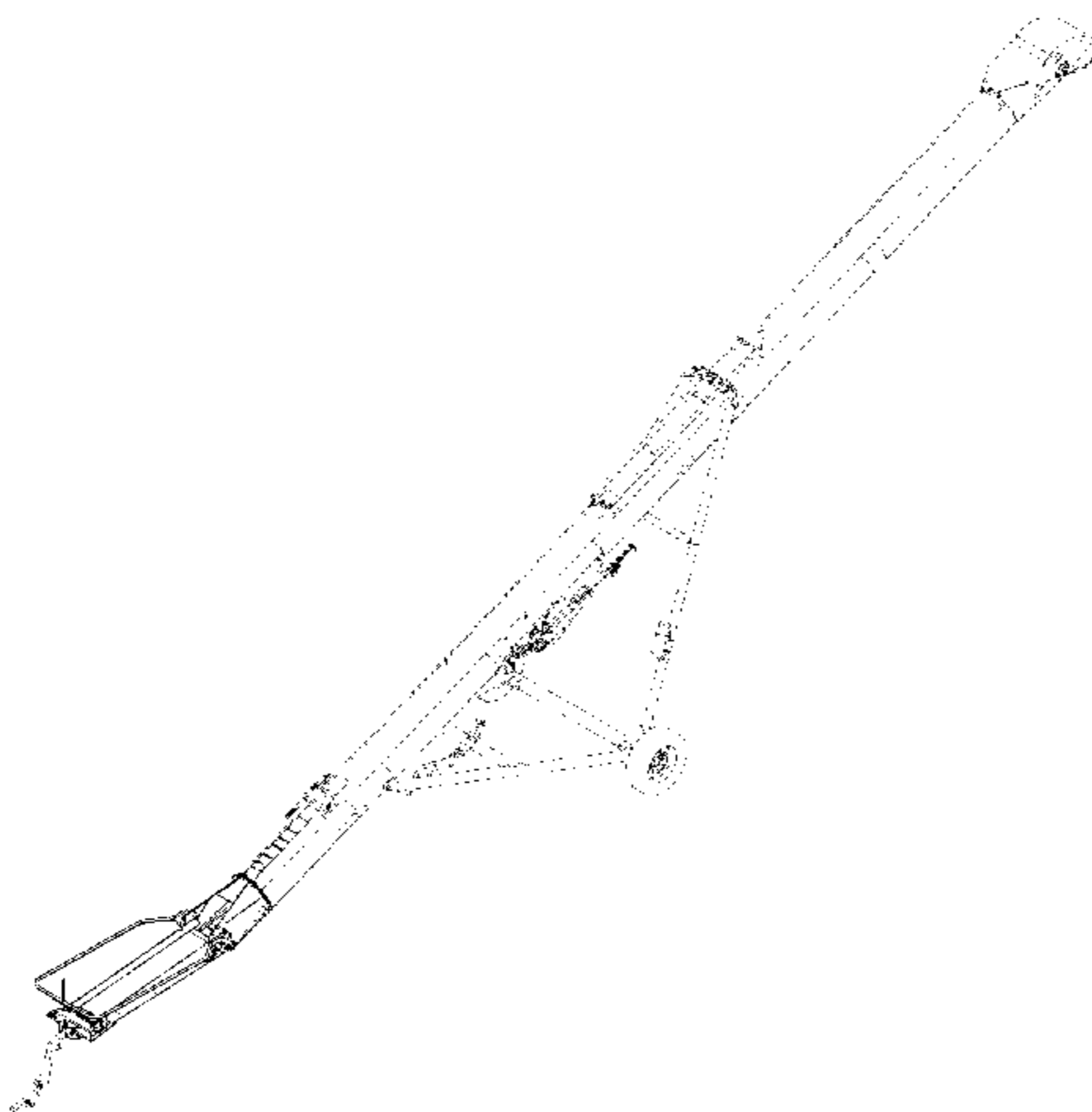
(57) **CLAIM**

The ornamental design for a conveyor intake, as shown and described.

**DESCRIPTION**

FIG. 1 is a top front perspective view of a conveyor intake showing my new design.  
FIG. 2 is a bottom rear perspective view thereof.  
FIG. 3 is a top front perspective view of a conveyor intake shown at a larger scale;  
FIG. 4 is a bottom rear perspective view thereof;  
FIG. 5 is a front elevation view thereof;  
FIG. 6 is a rear elevation view thereof;  
FIG. 7 is a right side elevation view thereof;  
FIG. 8 is a left side elevation view thereof;  
FIG. 9 is a top plan view thereof; and,  
FIG. 10 is a bottom plan view thereof.  
The ornamental design which is claimed is shown in solid lines in the drawings.  
The broken lines in the drawings indicate portions of the conveyor intake that form no part of the claimed design.

**1 Claim, 9 Drawing Sheets**



(56)

**References Cited**

U.S. PATENT DOCUMENTS

8,662,285	B2 *	3/2014	Jesse .....	B65G 33/24 198/300
2002/0139643	A1 *	10/2002	Peltier .....	B65G 15/08 198/821
2010/0326798	A1 *	12/2010	Friesen .....	B65G 15/08 198/823
2013/0220778	A1 *	8/2013	Fehr .....	B65G 23/36 198/832
2013/0270060	A1 *	10/2013	Houssian .....	B65G 33/14 198/300
2015/0336747	A1 *	11/2015	Teichrob .....	B62D 7/06 198/311
2016/0031650	A1 *	2/2016	Petersen .....	B65G 15/42 198/699.1

\* cited by examiner

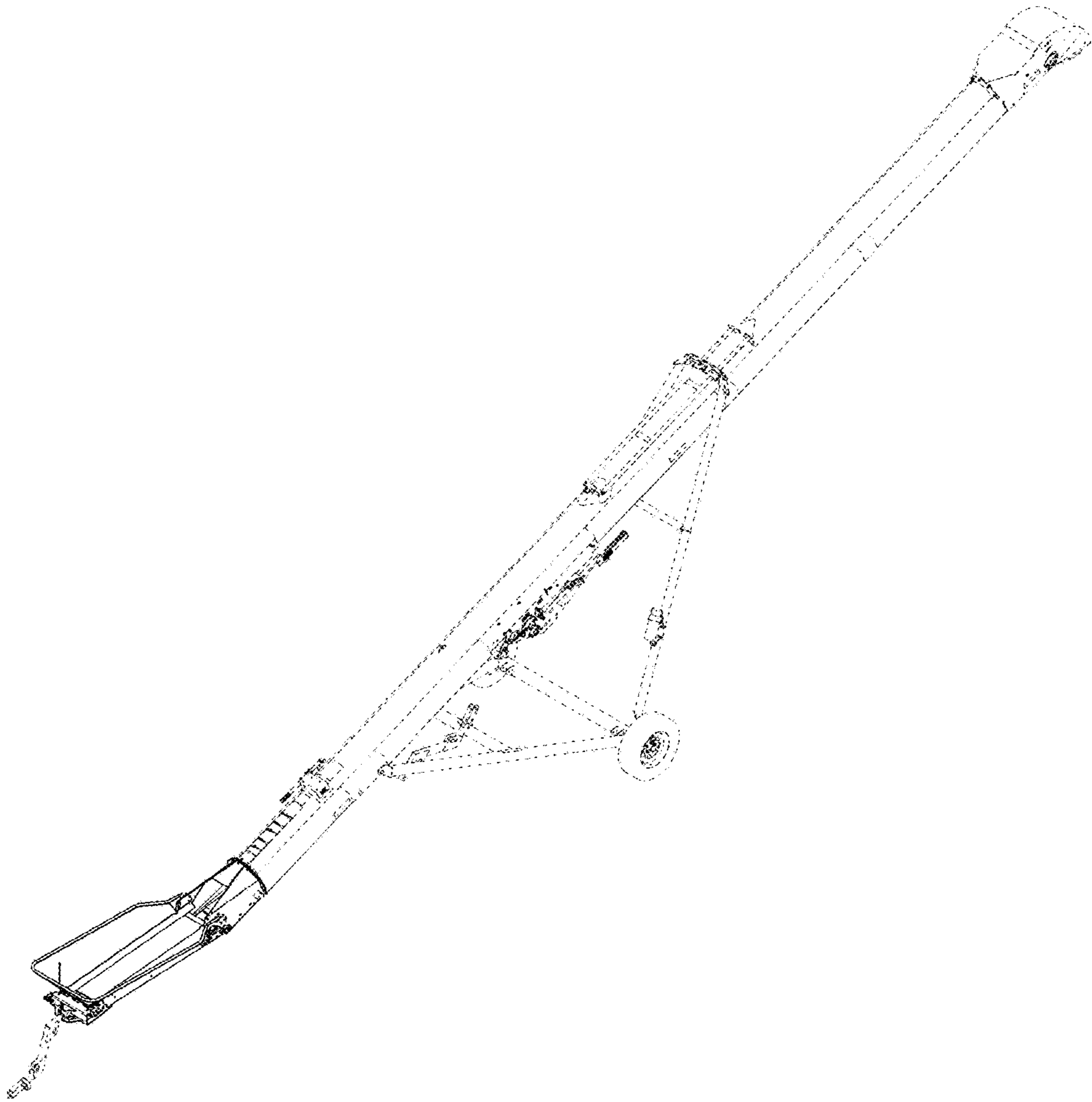


FIG. 1

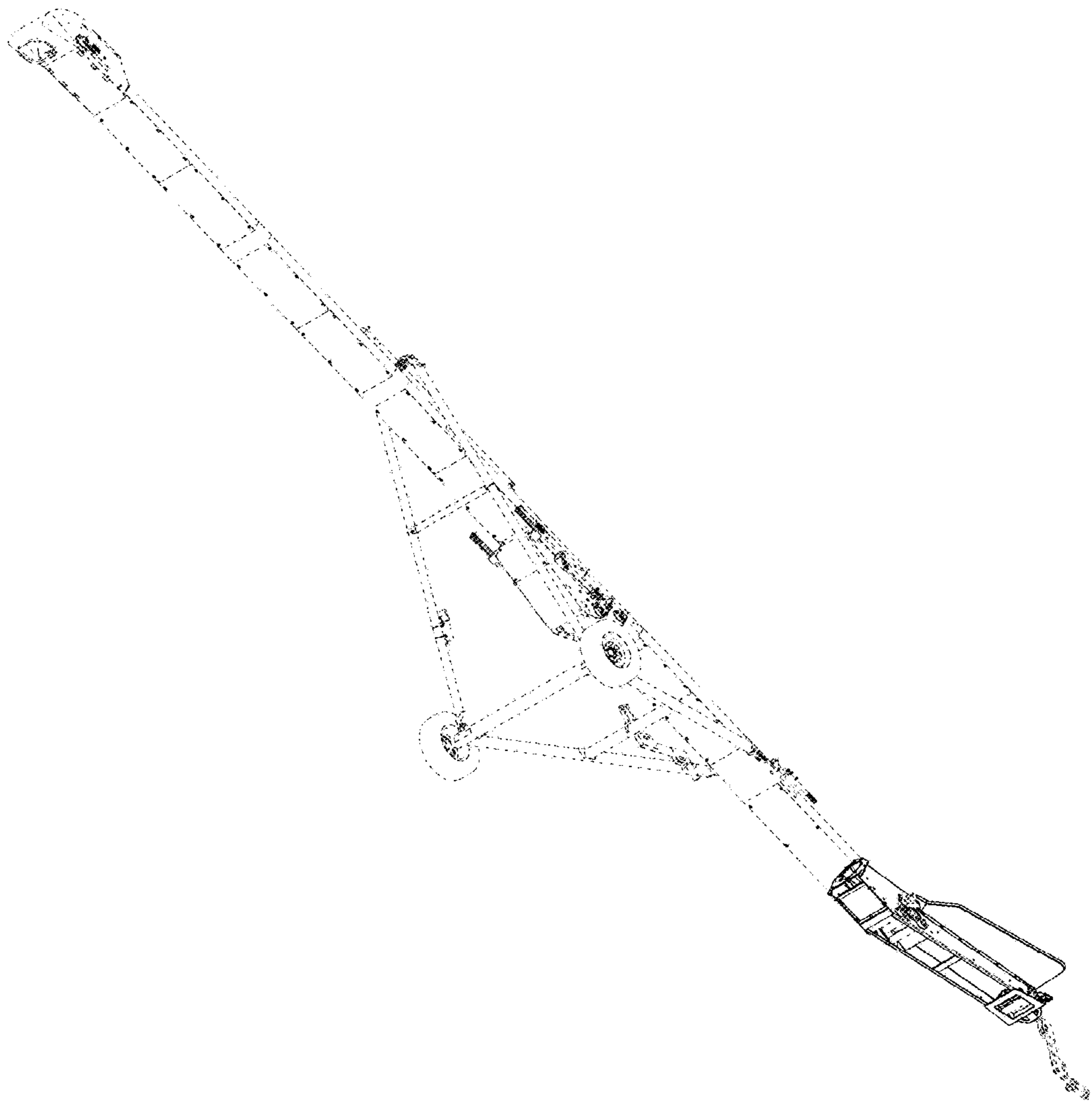


FIG. 2

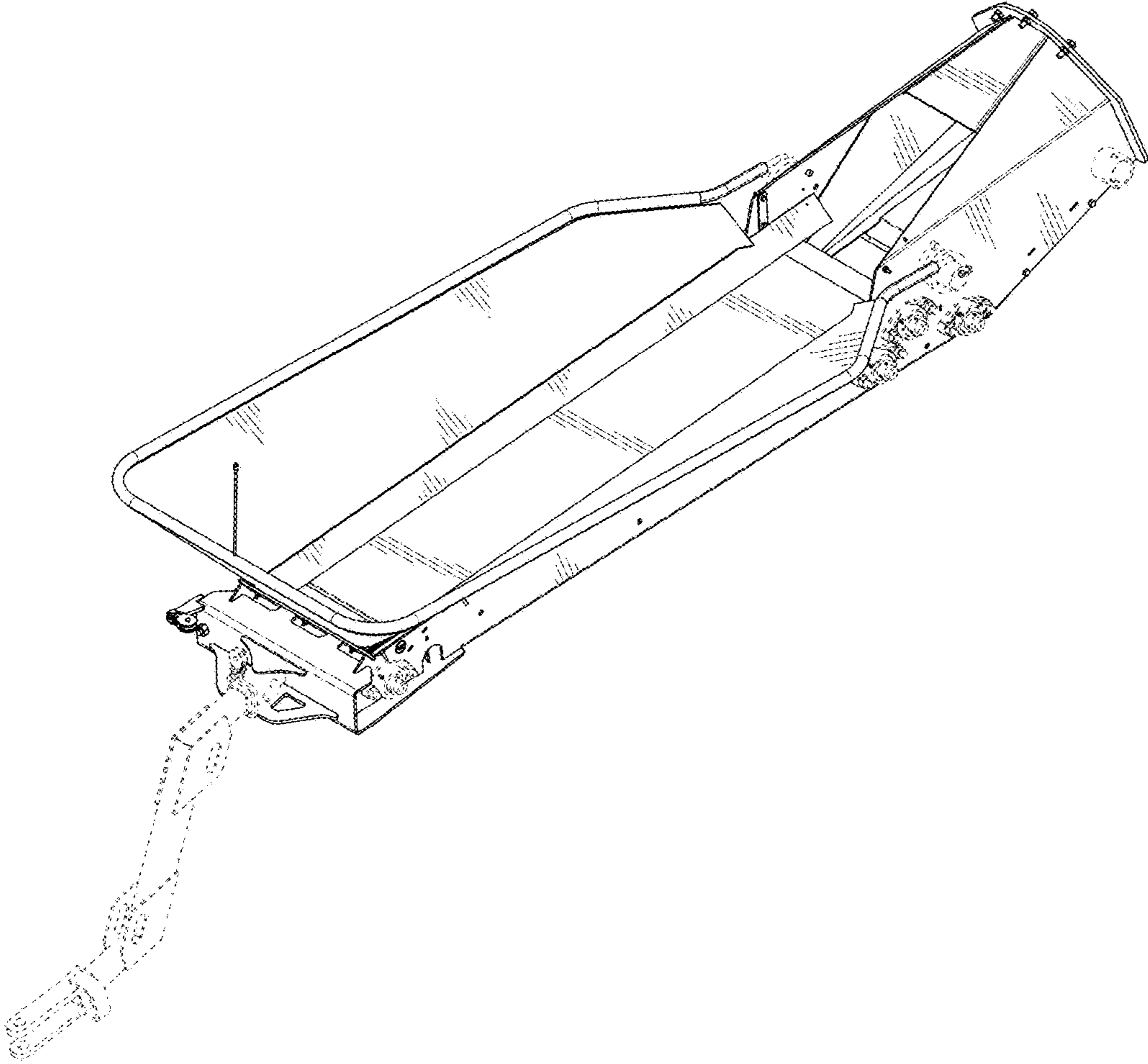


FIG. 3

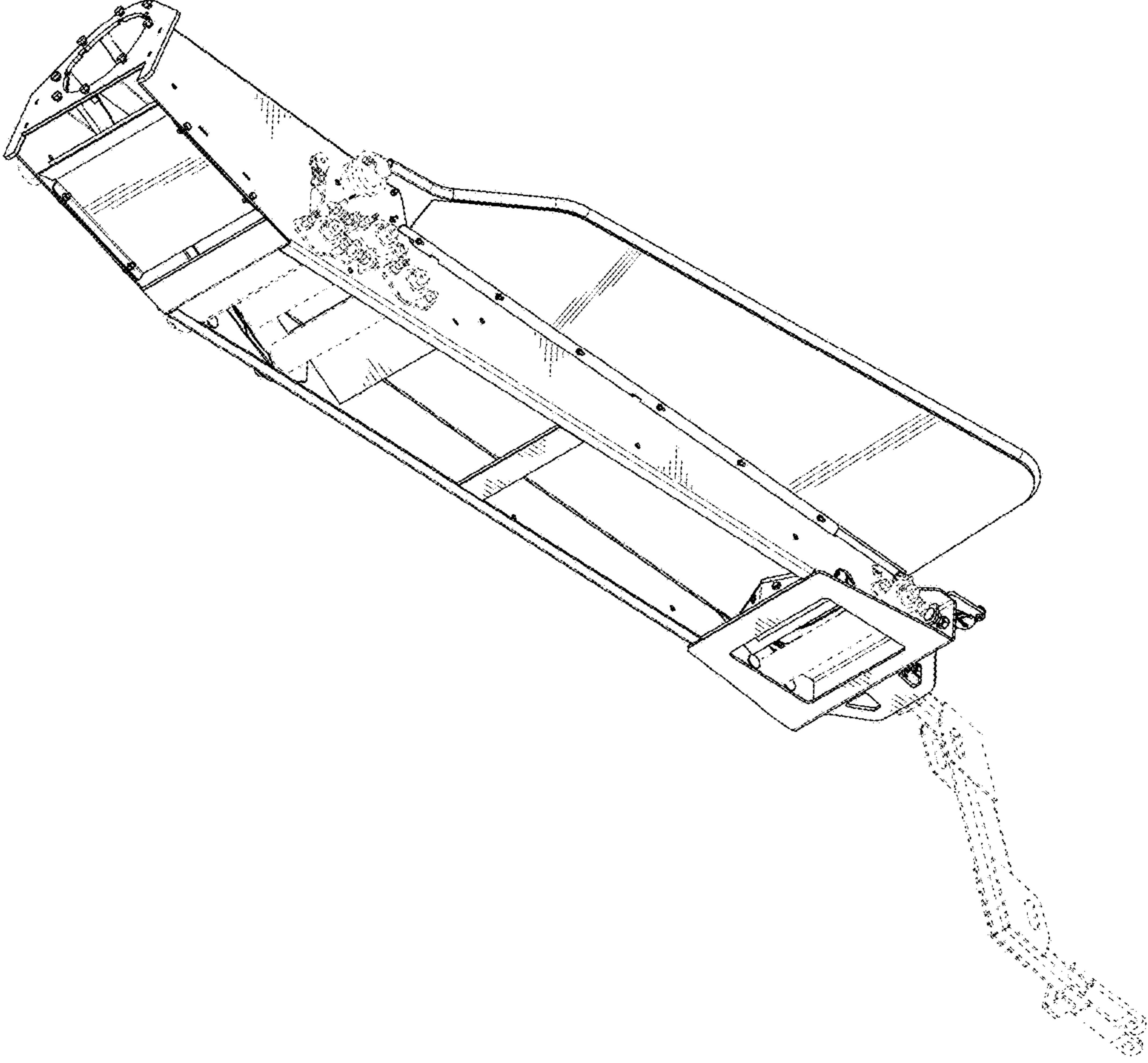


FIG. 4



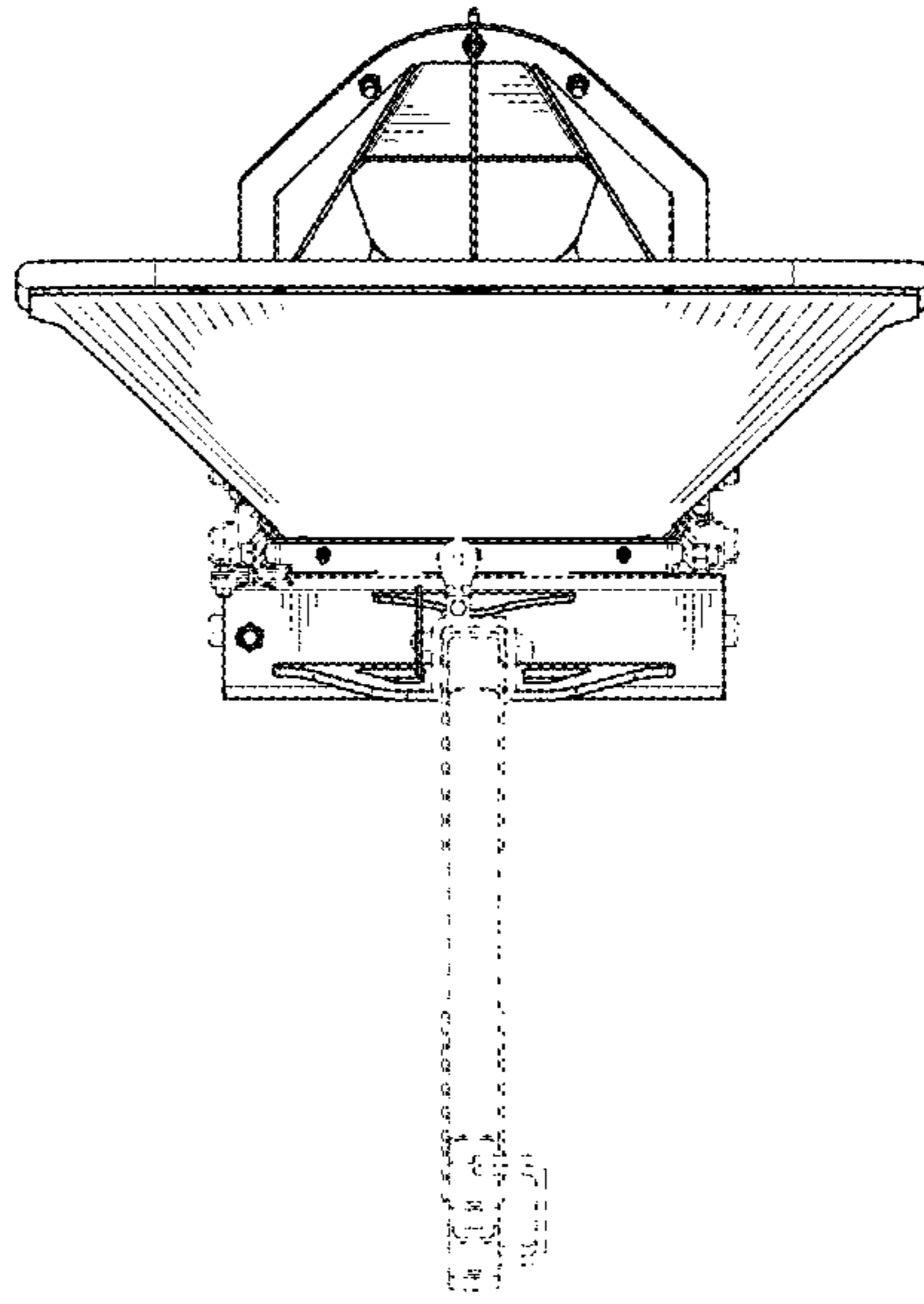


FIG. 5

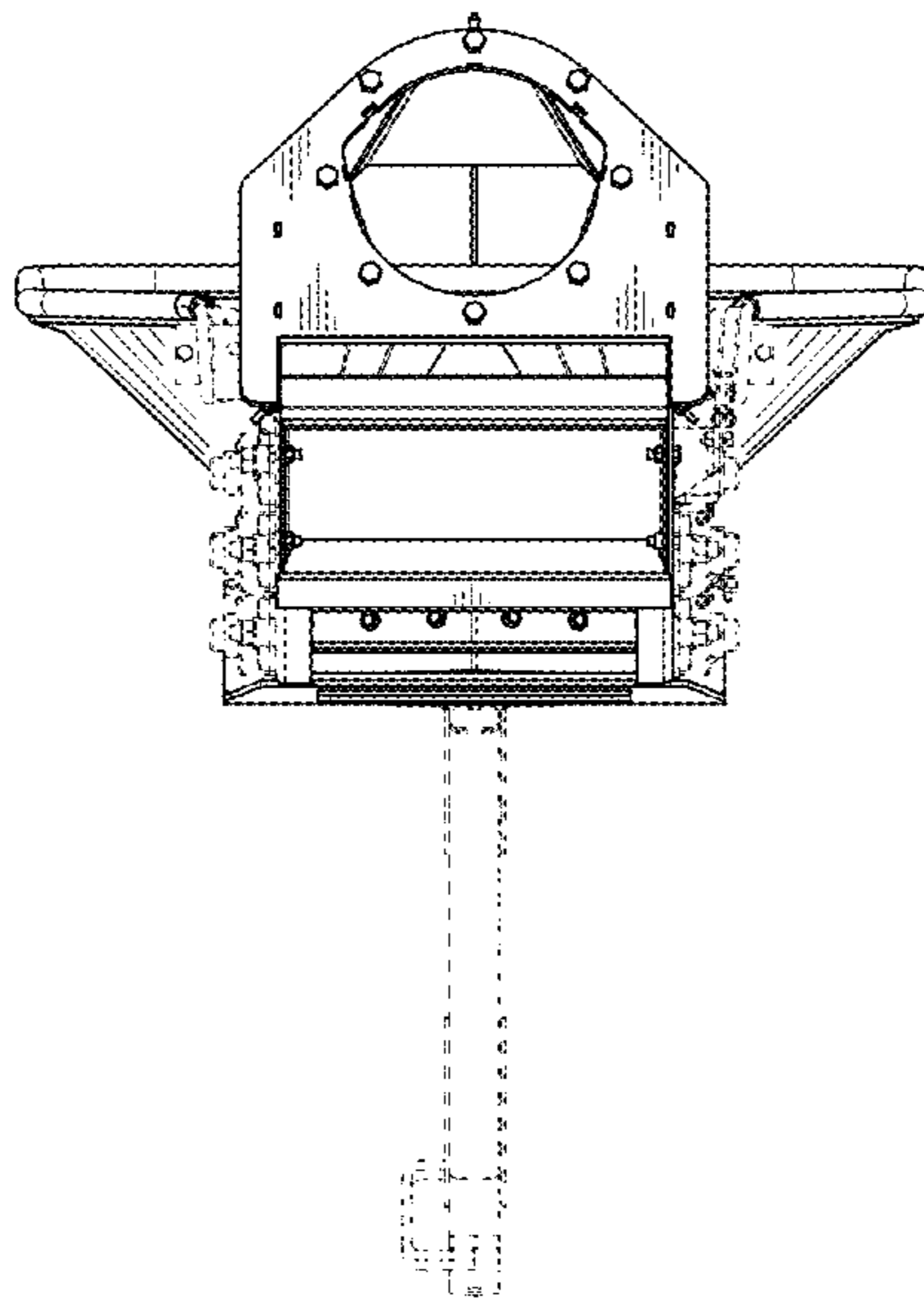


FIG. 6

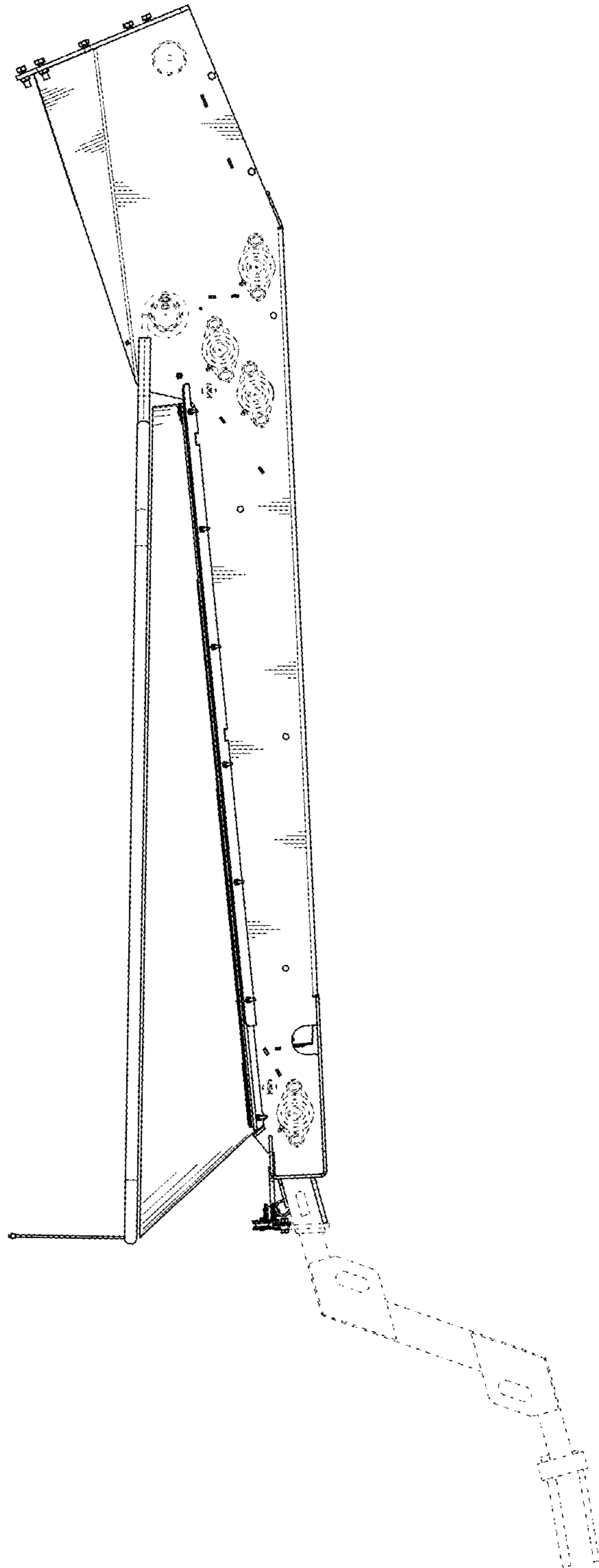


FIG. 7



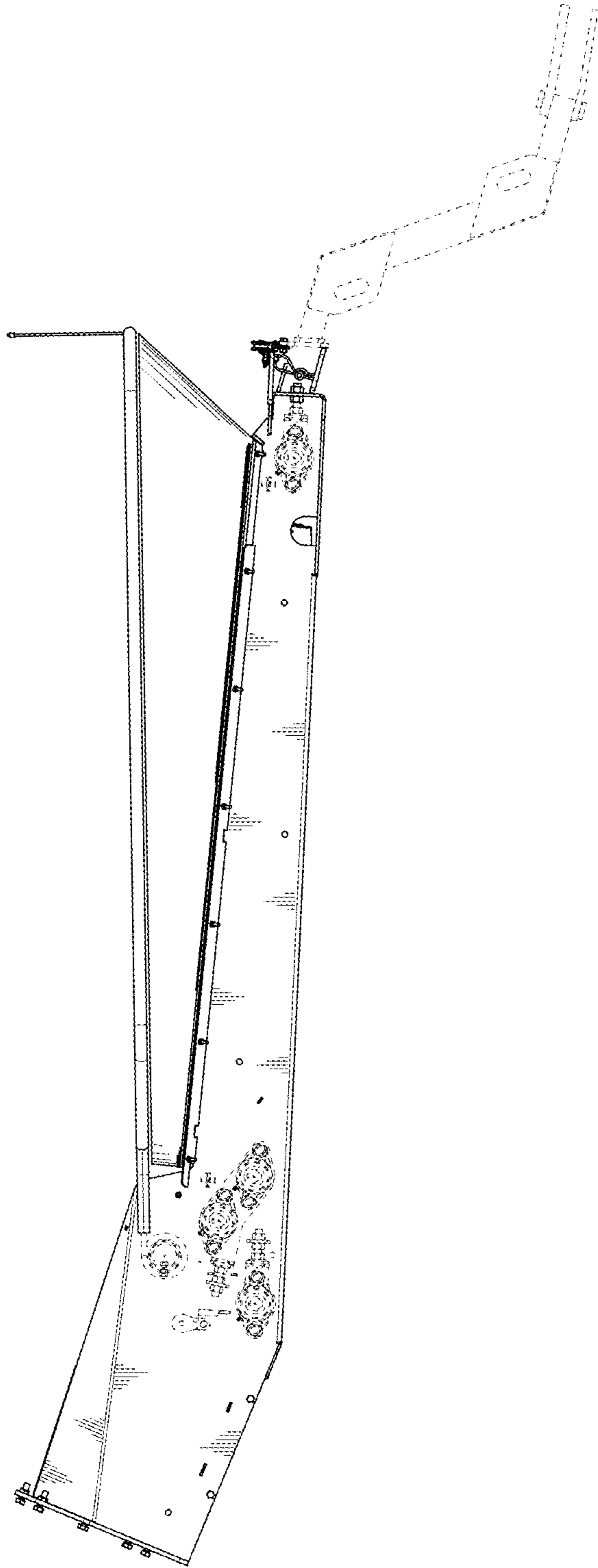


FIG. 8

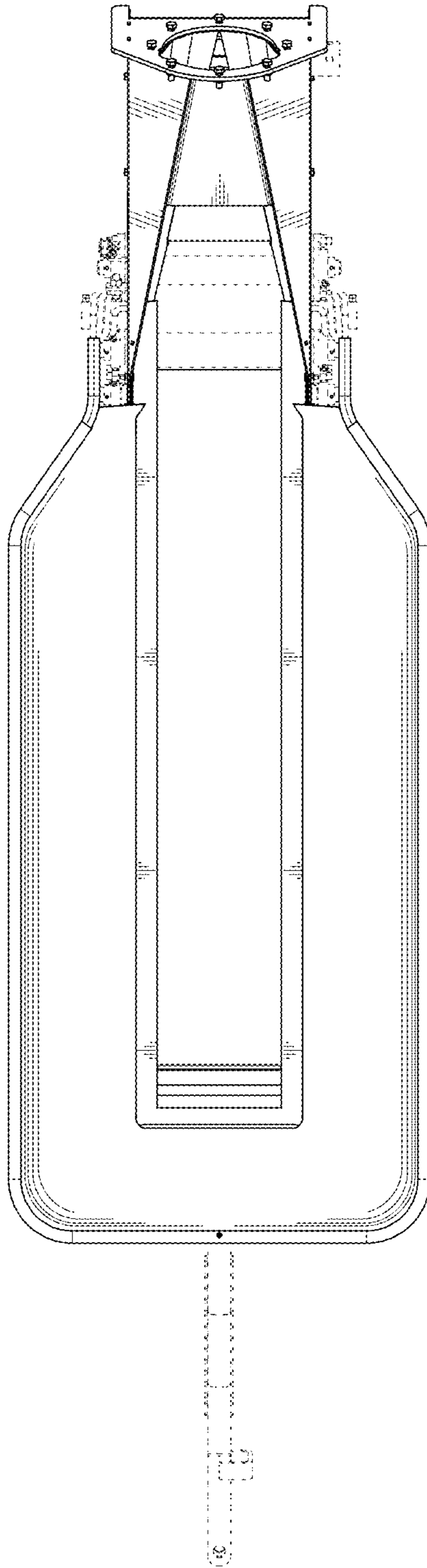


FIG. 9

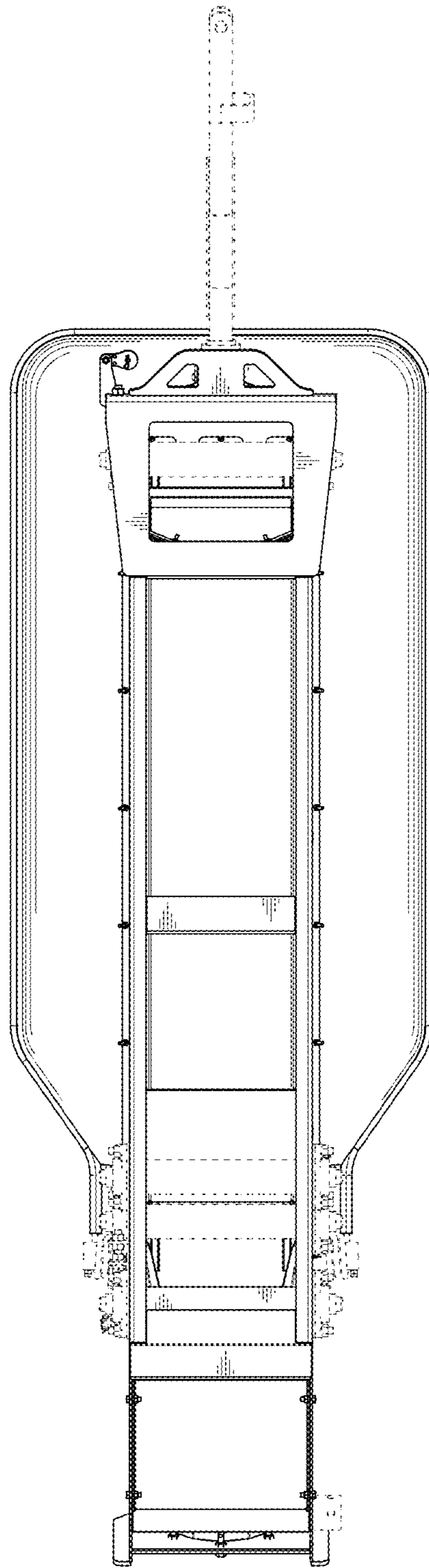


FIG. 10