



US00D809237S

(12) **United States Design Patent**
Clement

(10) **Patent No.:** **US D809,237 S**
(45) **Date of Patent:** **** Jan. 30, 2018**

(54) **HAND TRUCK**

(71) Applicant: **SEFMAT, Le Haillan (FR)**

(72) Inventor: **Francois Clement, Le Haillan (FR)**

(73) Assignee: **SEFMAT, Le Haillan (FR)**

(**) Term: **15 Years**

(21) Appl. No.: **29/582,146**

(22) Filed: **Oct. 25, 2016**

(30) **Foreign Application Priority Data**

May 3, 2016 (EM) 003107390-0001

(51) **LOC (11) Cl.** **12-02**

(52) **U.S. Cl.**
USPC **D34/18; D34/15**

(58) **Field of Classification Search**
USPC D34/15, 18, 12; 280/30, 5.32, 651,
280/47.35, 79.11, 79.3, 646, 652, 38, 40,
280/654, 62, 659, 639, 642
CPC . B62B 2202/404; B62B 3/02; B62B 2205/24;
B62B 2205/00
See application file for complete search history.

(56) **References Cited**

U.S. PATENT DOCUMENTS

D230,142 S * 1/1974 Muellner D34/14
D300,577 S * 4/1989 Pope D34/15
5,551,716 A * 9/1996 Kordecki A63B 55/60
280/47.18
D423,746 S * 4/2000 Liao D34/15
D438,357 S * 2/2001 Wu D34/15

D482,170 S * 11/2003 Yang D34/15
D519,258 S * 4/2006 Resfum D34/12
D576,084 S * 9/2008 Dotsey D12/129
D632,448 S * 2/2011 Simko D34/12
D646,038 S * 9/2011 Brundl D34/15
D657,524 S * 4/2012 Liao D34/15
D703,411 S * 4/2014 Lin D34/15
D704,409 S * 5/2014 Reimers D34/15
D709,663 S * 7/2014 Welker D34/15
D786,523 S * 5/2017 Mitchell D34/15

* cited by examiner

Primary Examiner — Cynthia Ramirez

(74) *Attorney, Agent, or Firm* — Wenderoth, Lind & Ponack, L.L.P.

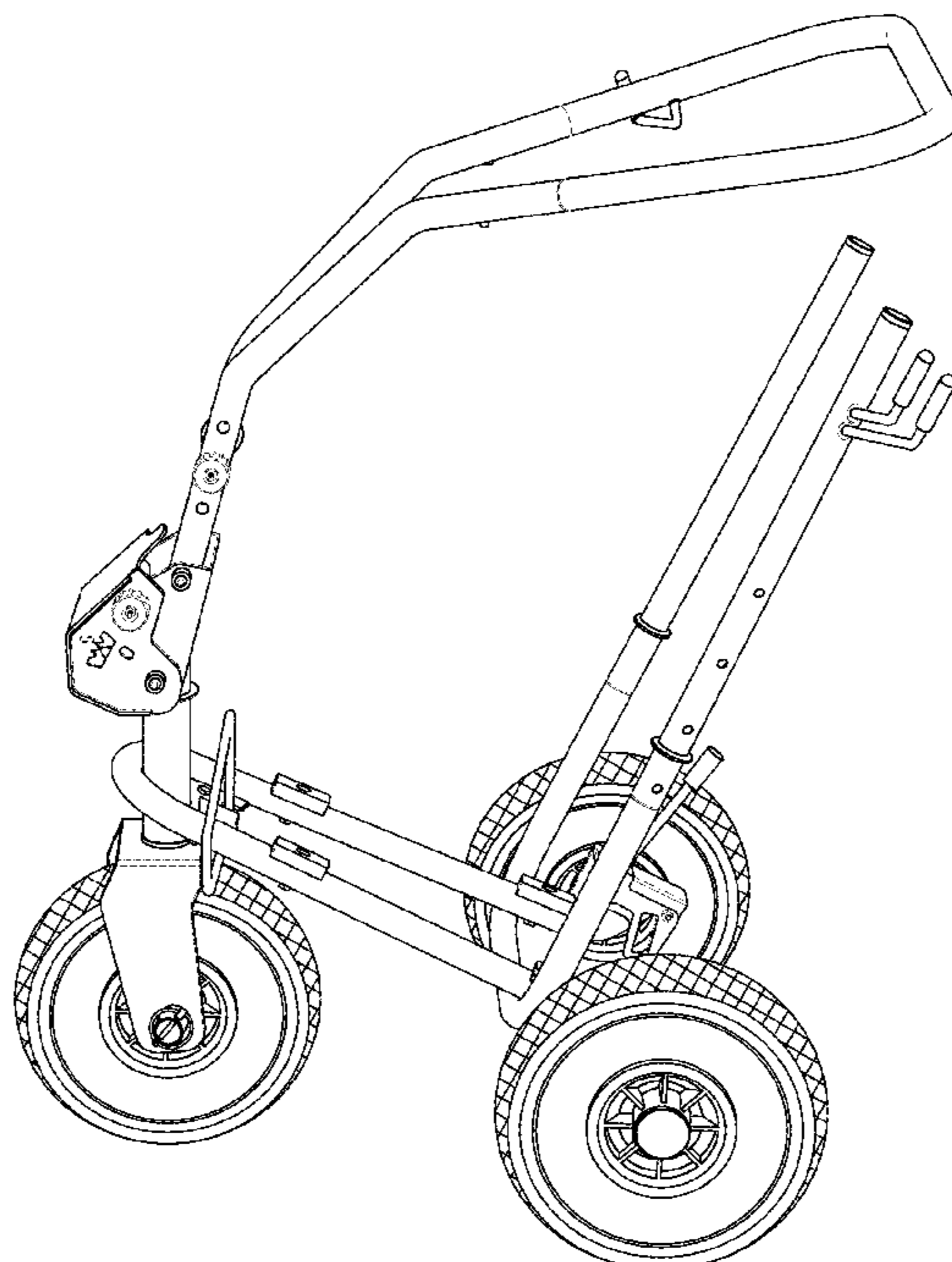
(57) **CLAIM**

The ornamental design for a hand truck, as shown and described.

DESCRIPTION

FIG. 1 is a front view of a hand truck showing my new design;
FIG. 2 is a rear view thereof;
FIG. 3 is a left side perspective view thereof;
FIG. 4 is a right side perspective view thereof;
FIG. 5 is a left side perspective view thereof, with the handle in an alternate position;
FIG. 6 is a right side perspective view thereof, showing the handle in an alternate position; and,
FIG. 7 is a top view thereof.

1 Claim, 7 Drawing Sheets



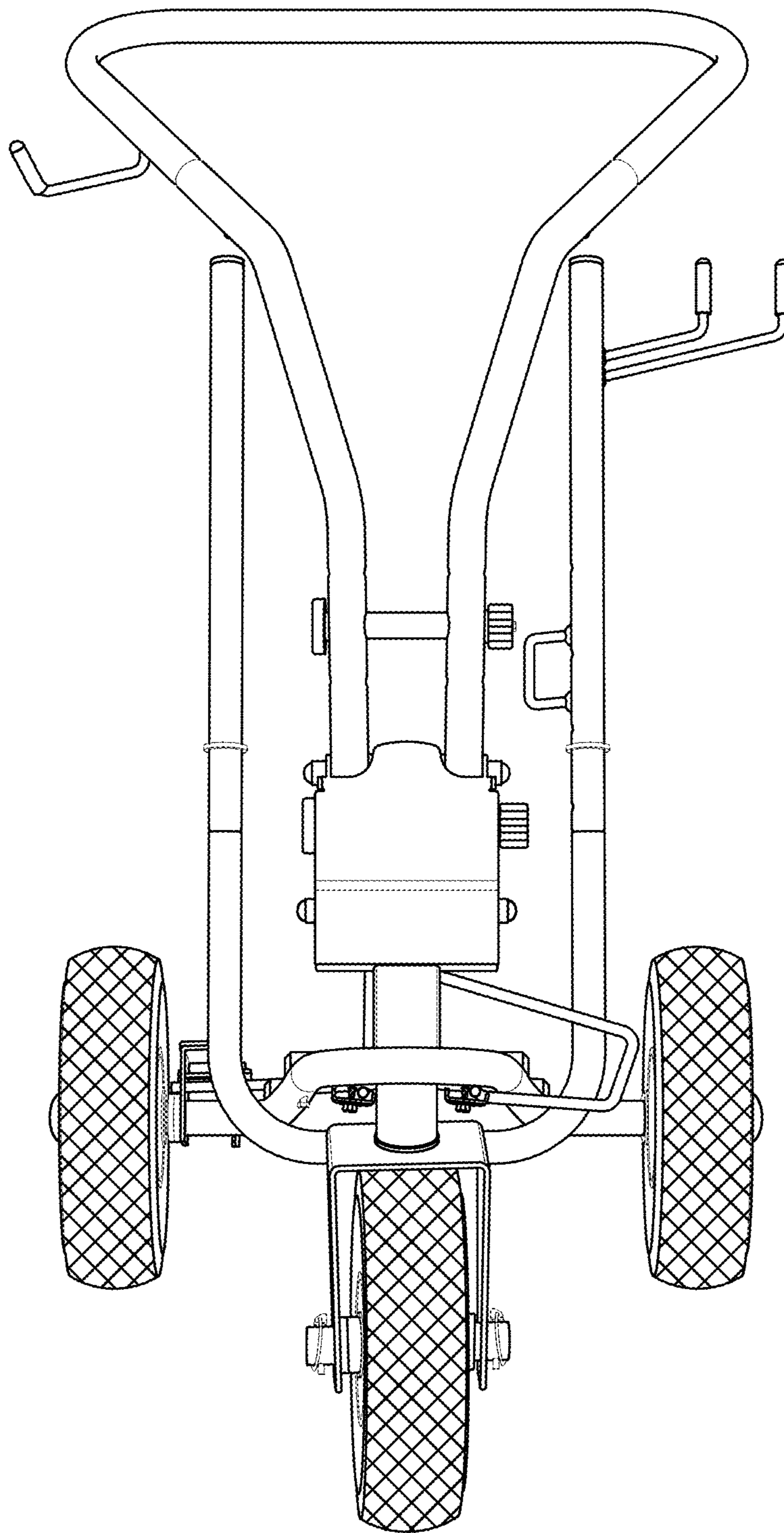


FIG. 1

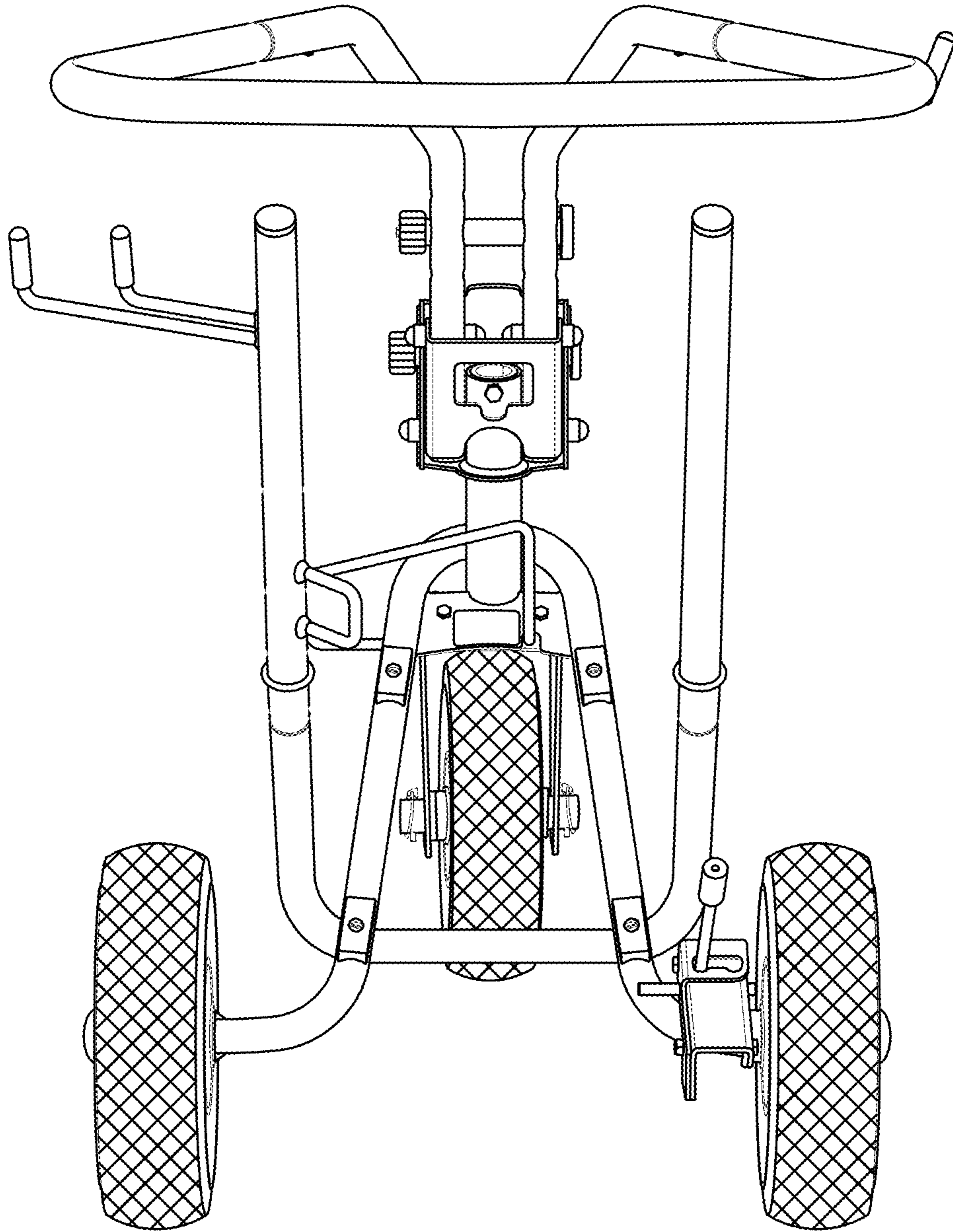


FIG. 2

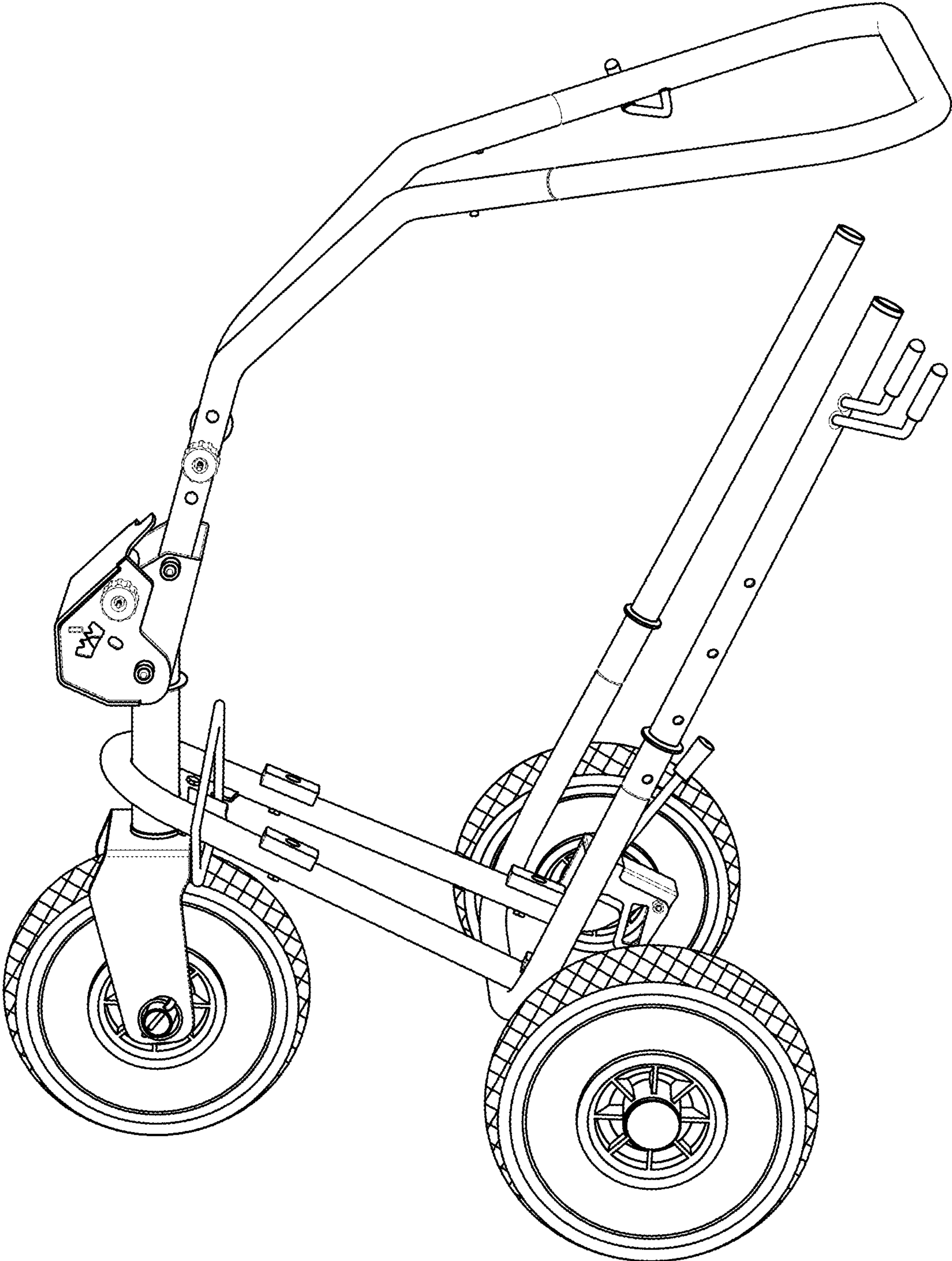


FIG. 3

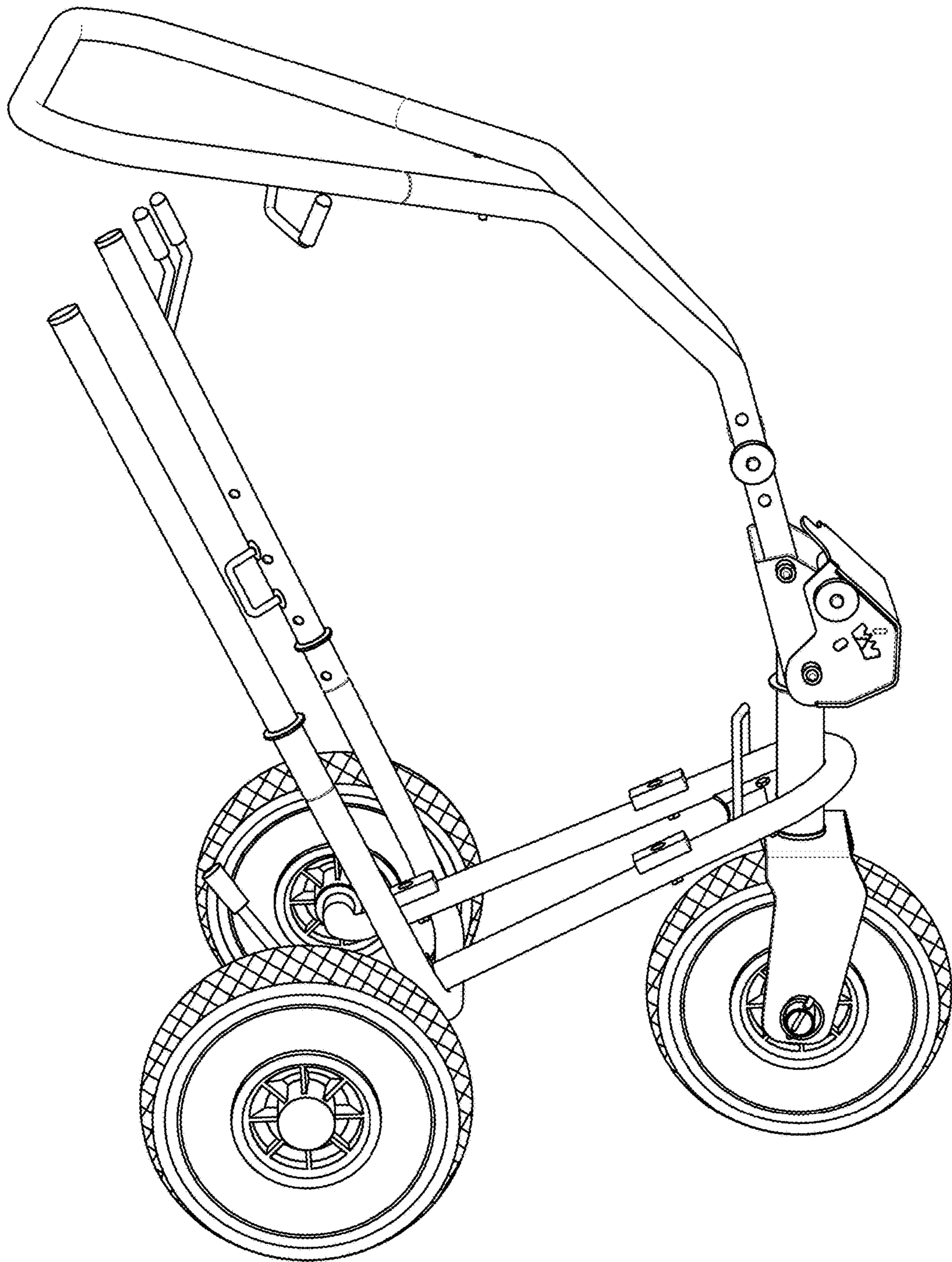


FIG. 4

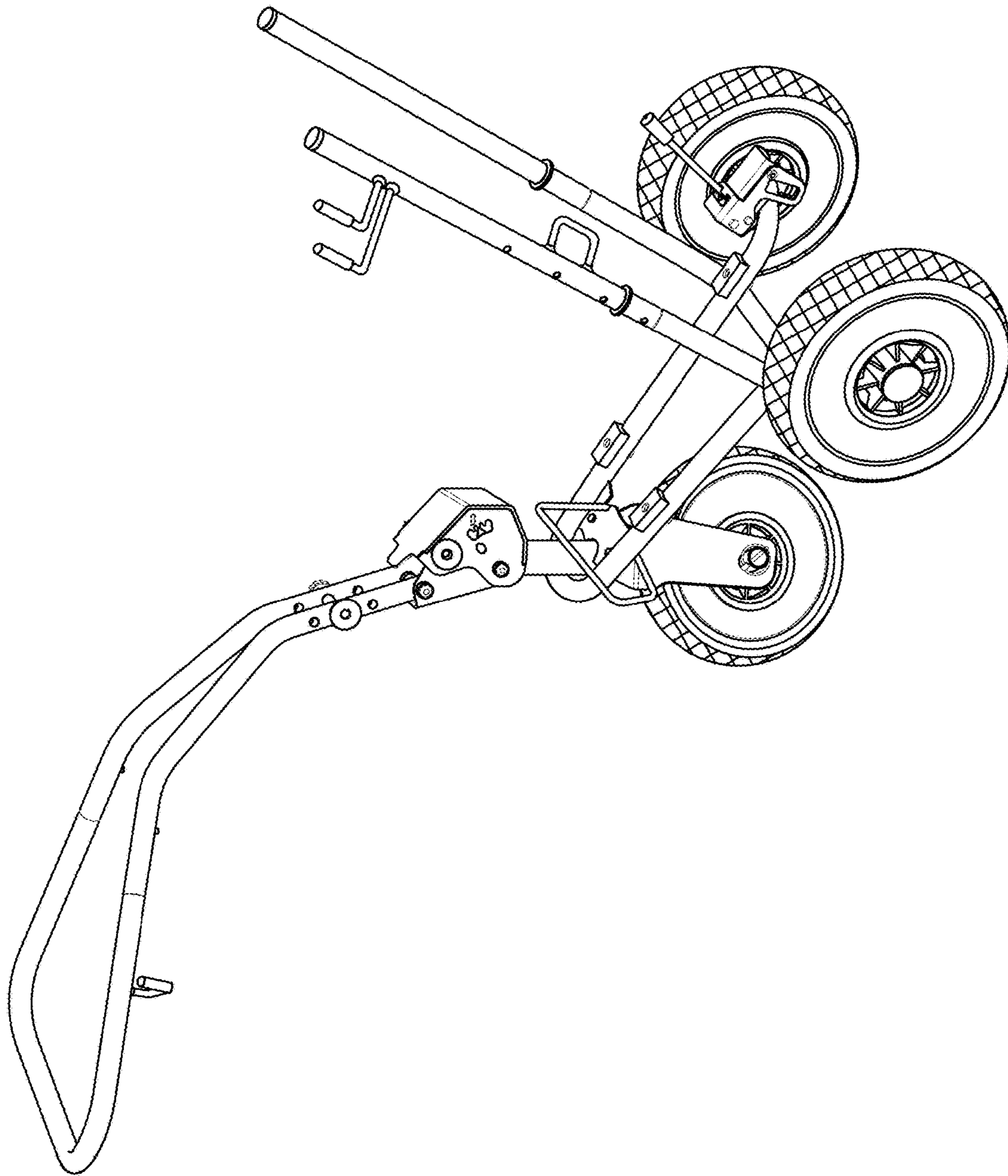


FIG. 5

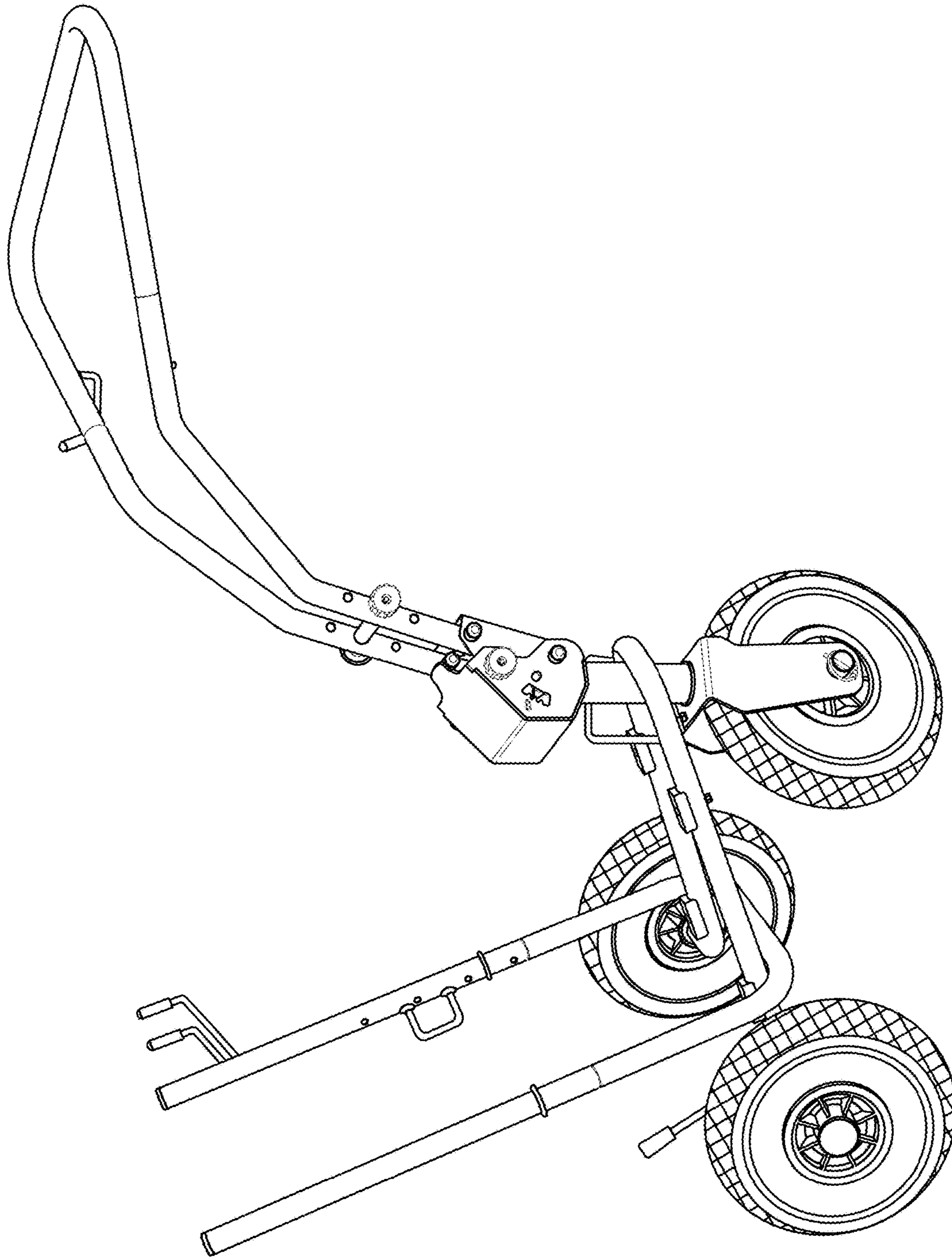


FIG. 6

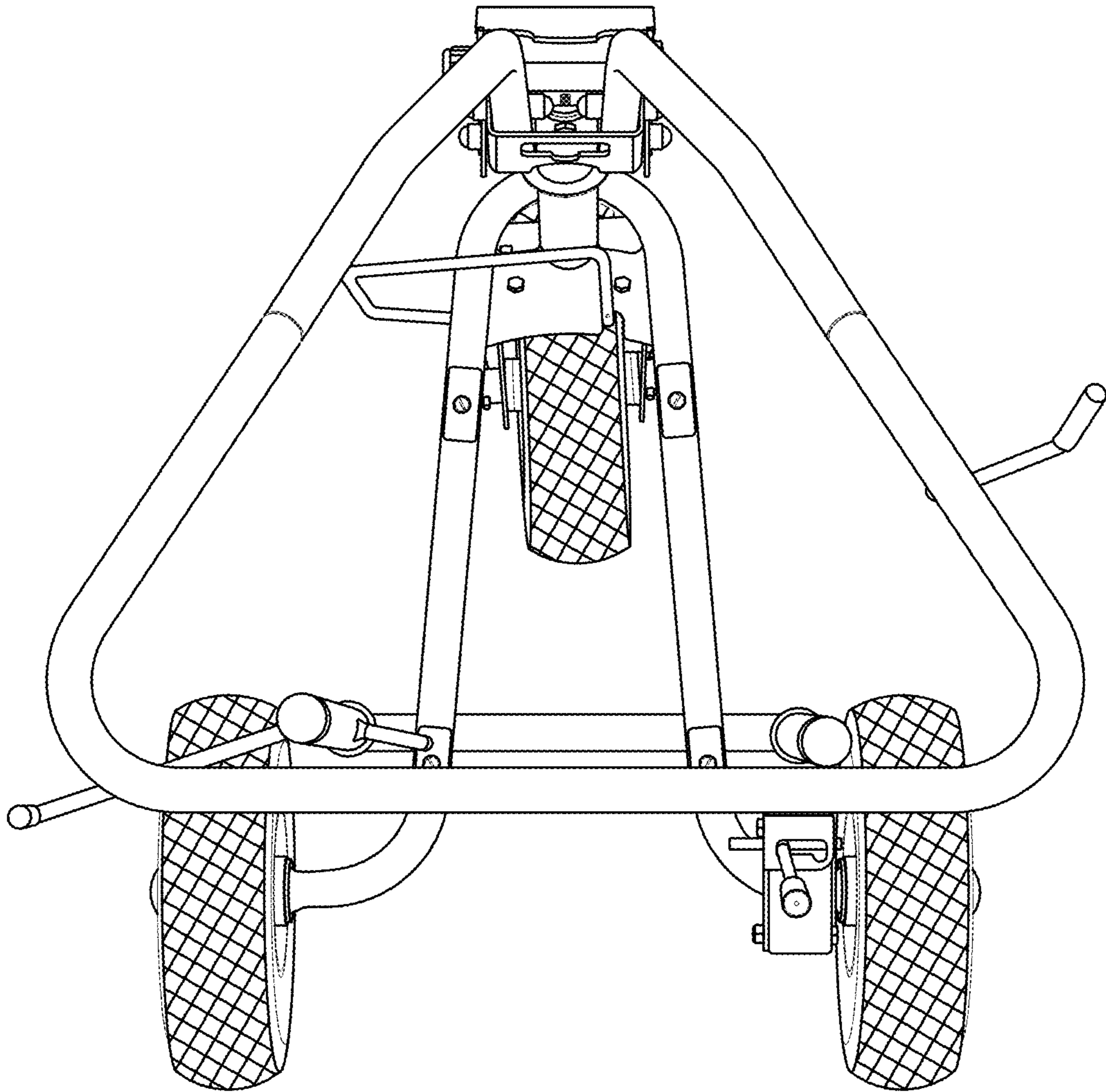


FIG. 7