



US00D809236S

(12) **United States Design Patent** (10) **Patent No.:** **US D809,236 S**
Breeden, III et al. (45) **Date of Patent:** **** Jan. 30, 2018**

(54) **FEMALE CONNECTOR FOR A CLEANING HEAD**

FOREIGN PATENT DOCUMENTS

(71) Applicant: **Winston Products, LLC**, Cleveland, OH (US)

CN 3420572 * 1/2005
CN 303173765 * 4/2015
GB 3000531 * 4/2002

(72) Inventors: **Winston H. Breeden, III**, Chagrin Falls, OH (US); **Andrew J. Carcioppolo**, Chesterland, OH (US); **Robert C. Johnson**, Montville, OH (US)

OTHER PUBLICATIONS

Aubuchon Hardware : Quickie Manufacturing 24 Tampico Pushbroom, website 2016, [site visited Nov. 5, 2016 9:18:55 PM], <https://www.hardwarestore.com/659239/quickie-manufacturing-24-tampico-pushbroom-00594#>.*

(73) Assignee: **Winston Products LLC**, Cleveland, OH (US)

(Continued)

(**) Term: **15 Years**

Primary Examiner — John Windmuller

Assistant Examiner — John R Yeh

(21) Appl. No.: **29/529,798**

(74) *Attorney, Agent, or Firm* — Tucker Ellis LLP; Patrick F. Clunk

(22) Filed: **Jun. 10, 2015**

(51) **LOC (11) Cl.** **07-05**

(52) **U.S. Cl.**
USPC **D32/50**

(57) **CLAIM**

(58) **Field of Classification Search**
USPC D32/17-25, 40-45, 50-53; D8/343-344, D8/382

The ornamental design for a female connector for a cleaning head, as shown and described.

CPC A47L 9/00; A47L 5/00; A46B 7/04; A46B 17/02; B25G 3/04; B25G 3/34

See application file for complete search history.

DESCRIPTION

(56) **References Cited**

U.S. PATENT DOCUMENTS

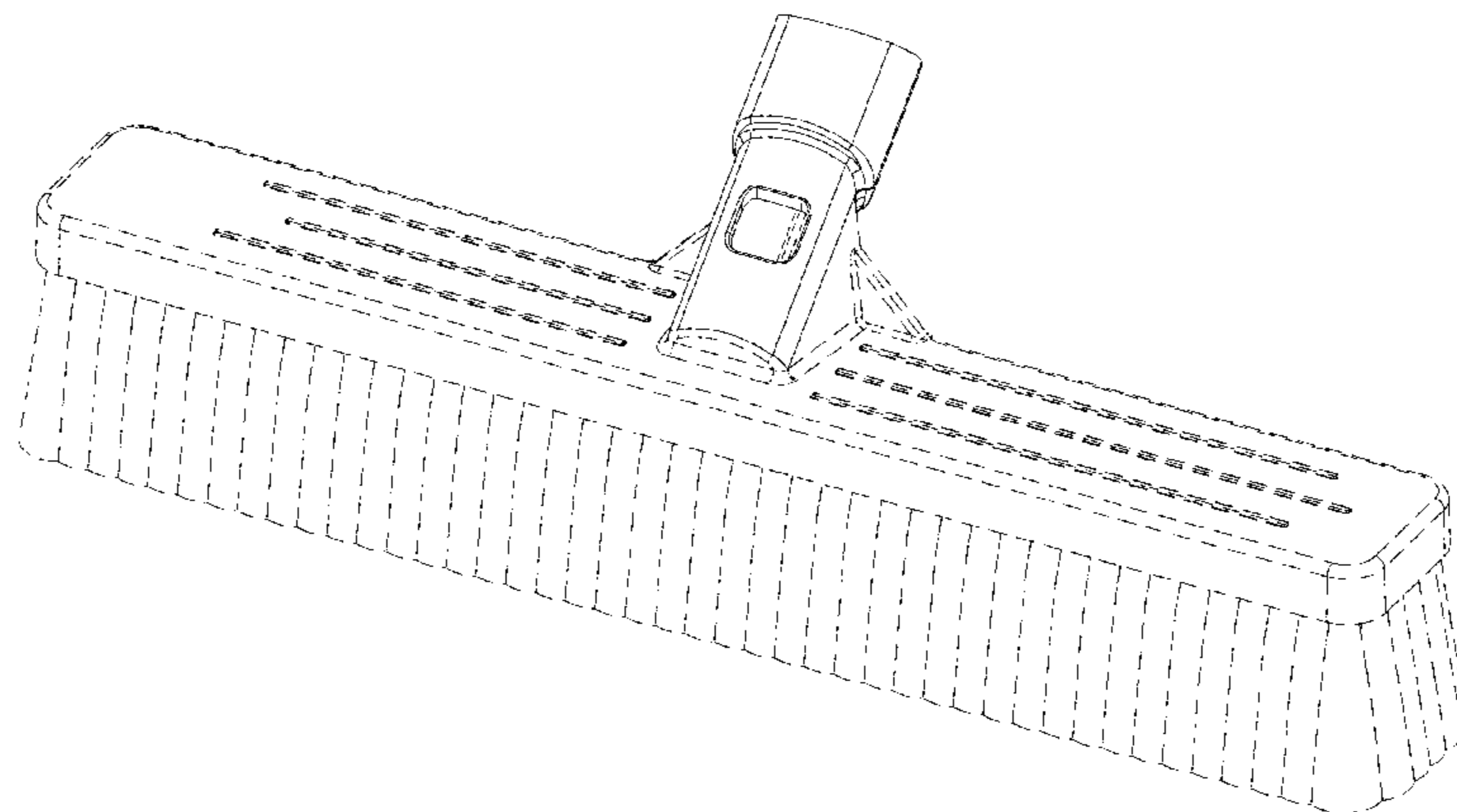
1,143,090 A * 6/1915 Stiefel B25G 3/04 15/146
1,210,319 A * 12/1916 Houston A46B 7/04 15/145
1,311,657 A * 7/1919 Levins B25G 3/04 15/146
3,094,728 A * 6/1963 White A46B 17/08 15/111
4,856,925 A * 8/1989 Konose A45D 34/042 15/191.1
5,172,447 A * 12/1992 Tomm A46B 5/0095 15/145

FIG. 1 is a front perspective view of a female connector for a cleaning head showing our new design; FIG. 2 is a rear perspective view thereof; FIG. 3 is another rear perspective view thereof; FIG. 4 is front view thereof; FIG. 5 is a rear view thereof; FIG. 6 is a right side view thereof; FIG. 7 is a left side view thereof; FIG. 8 is a top view thereof; and, FIG. 9 is a bottom view thereof.

The broken lines, including broken lines showing environment of the female connector for a cleaning head, form no part of the claimed design.

(Continued)

1 Claim, 8 Drawing Sheets



(56)

References Cited

U.S. PATENT DOCUMENTS

D358,238	S *	5/1995	Barnett	D32/40
D380,303	S *	7/1997	Wolfenden	D32/50
D412,248	S *	7/1999	Berti	D32/50
D544,664	S *	6/2007	Santiago	D32/32
7,343,637	B2 *	3/2008	Lafleur	A46B 7/04
					15/105
D582,619	S *	12/2008	Kong	D32/40
D585,613	S *	1/2009	Senyuva	D32/50
D591,586	S *	5/2009	Dagg	D8/382
D637,007	S *	5/2011	Miller	D4/199
D653,826	S *	2/2012	Lee	D32/50
D704,405	S *	5/2014	Libman	D32/50
D738,053	S *	9/2015	Kim	D32/21
2002/0124341	A1 *	9/2002	Cesak	A46B 7/04
					15/175
2004/0197133	A1 *	10/2004	Petner	B25G 3/26
					403/230
2012/0030899	A1 *	2/2012	Lindsey	A47L 9/244
					15/347
2016/0279786	A1 *	9/2016	Jacobson	B25H 3/00

OTHER PUBLICATIONS

bcsosource.com—Rubbermaid® Commercial Heavy Duty Floor Sweep, website 2016, website visited Nov. 5, 2016, <http://www.bcsosource.com/ProductDetails/Heavy-Duty-Floor-Sweep-24-X-3-Brown-Polypropylene/RCP9B18BRO/p10181186>.*

* cited by examiner

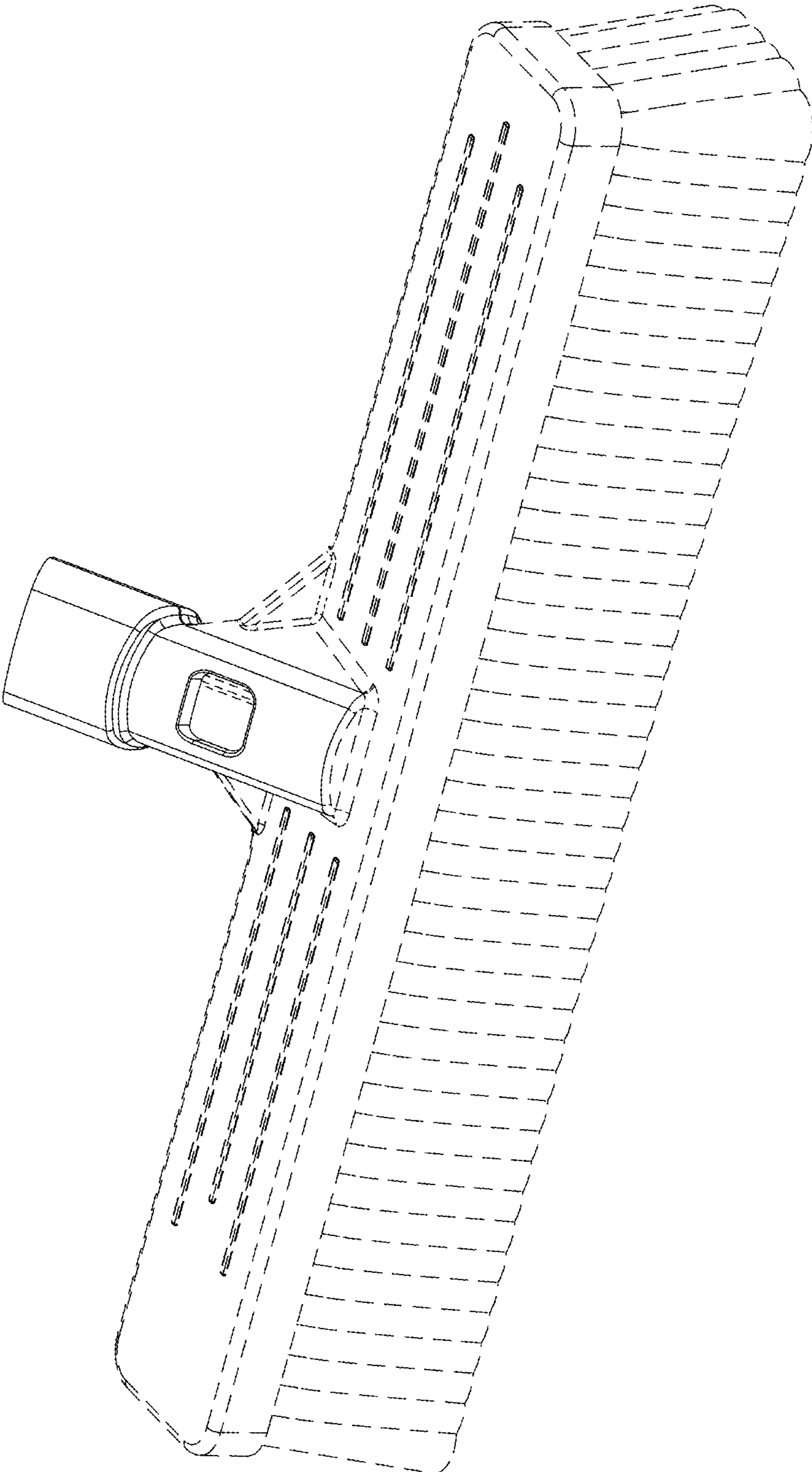


FIG. 1

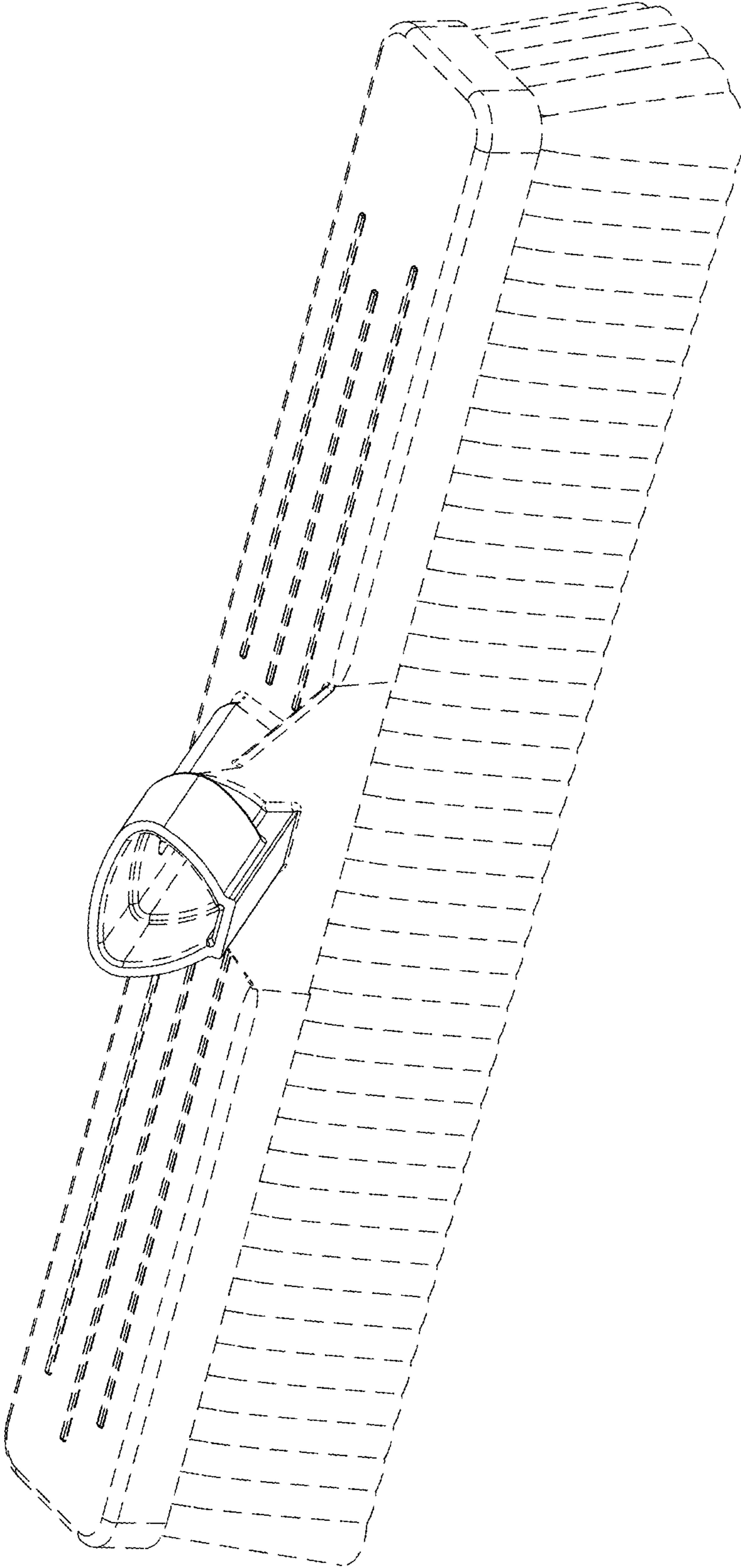


FIG. 2

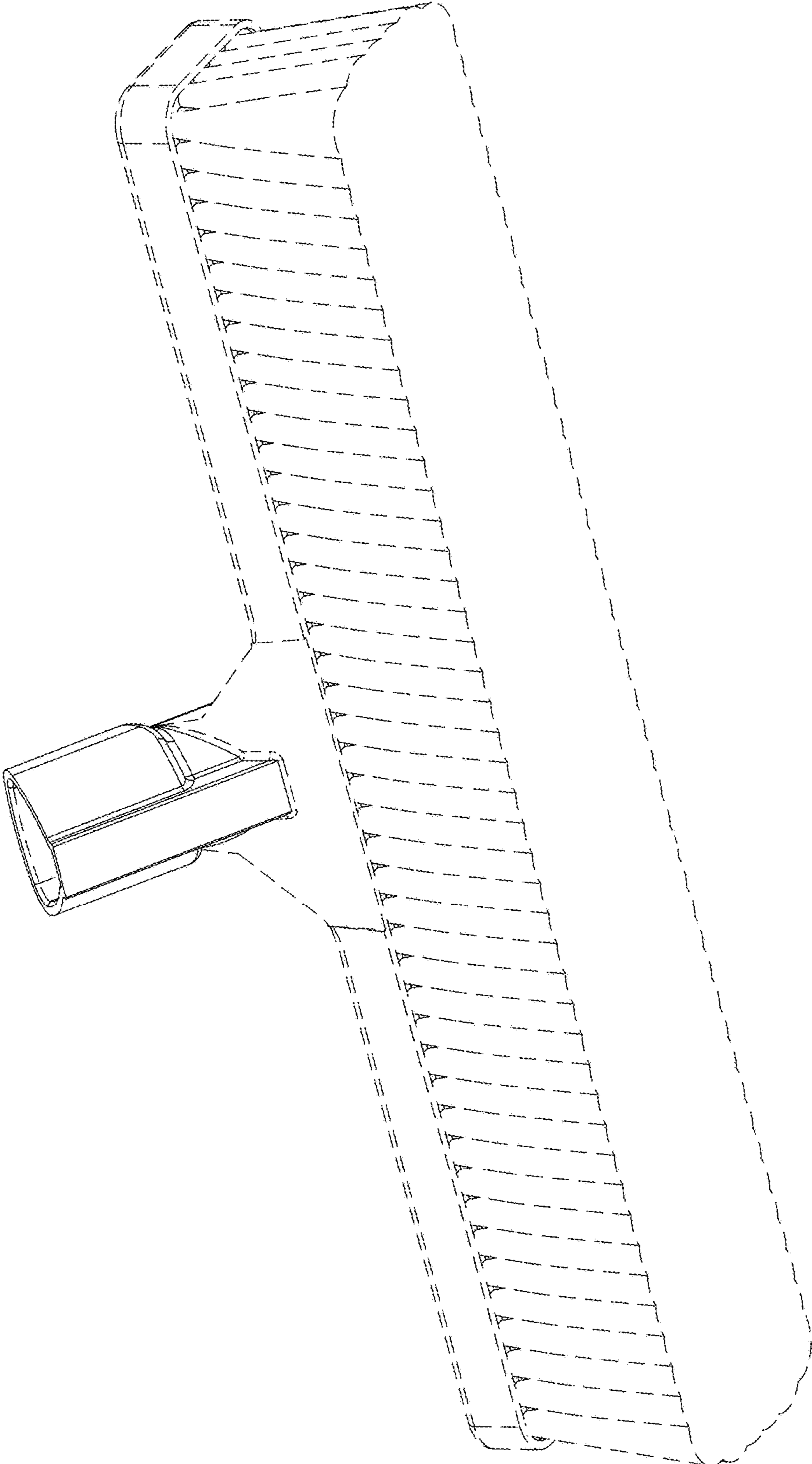


FIG. 3

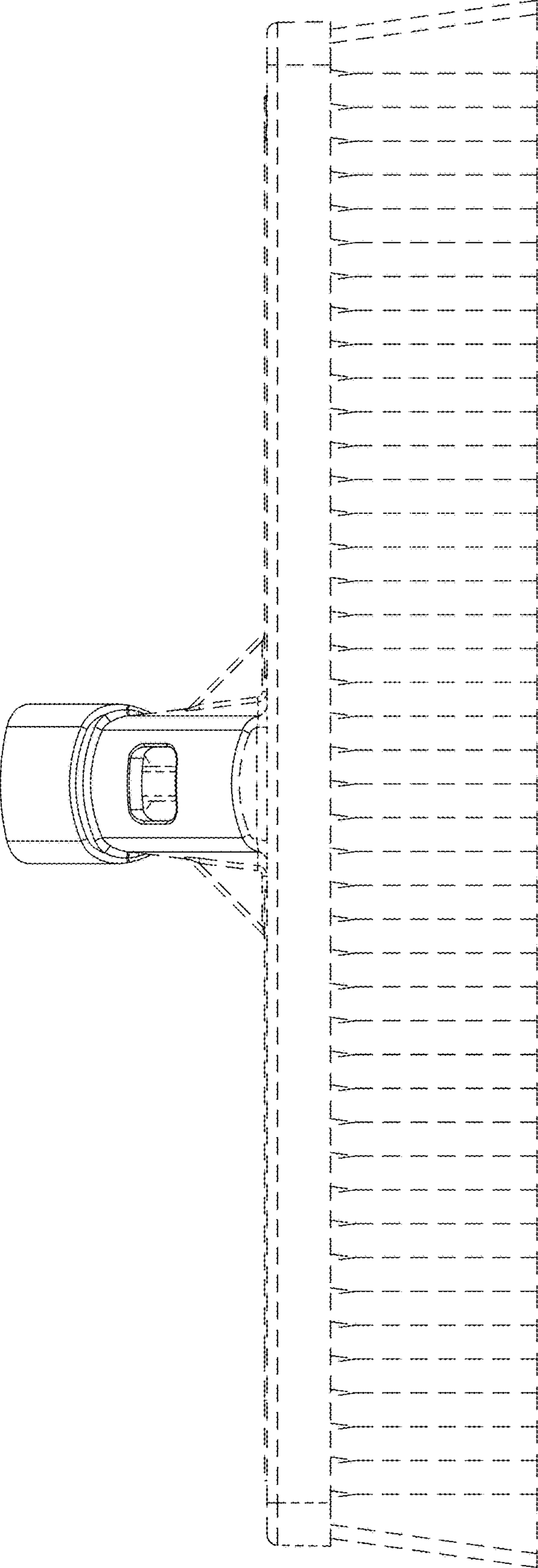


FIG. 4

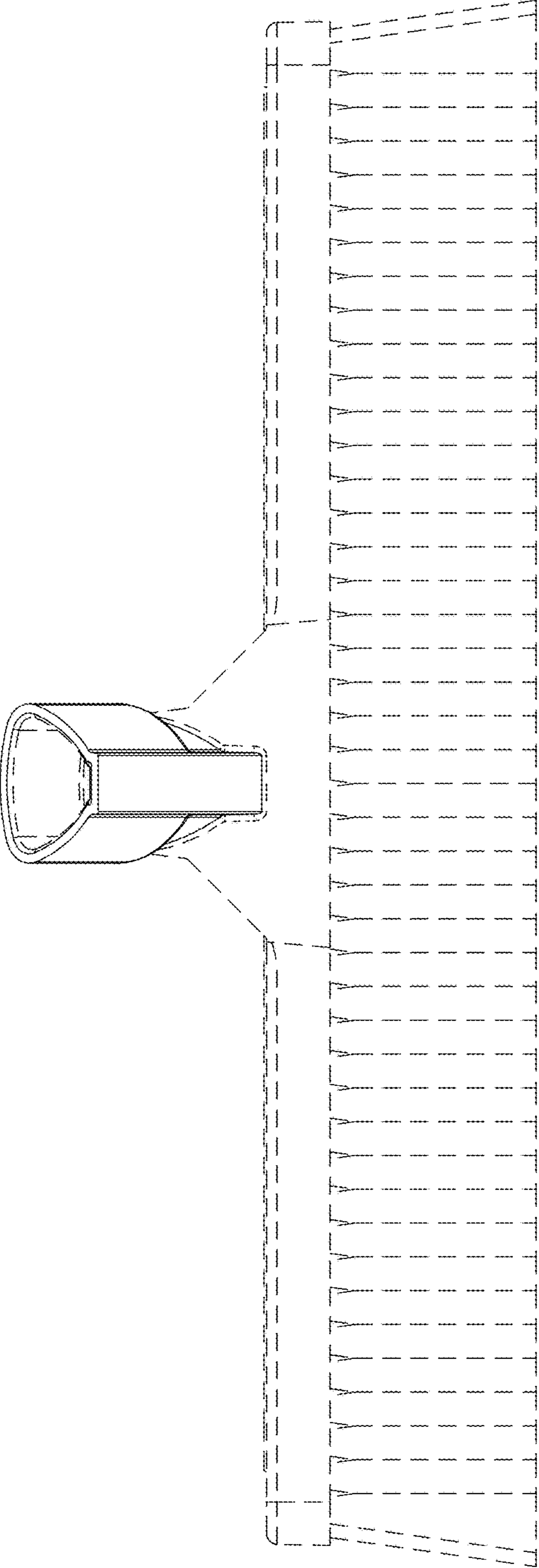


FIG. 5

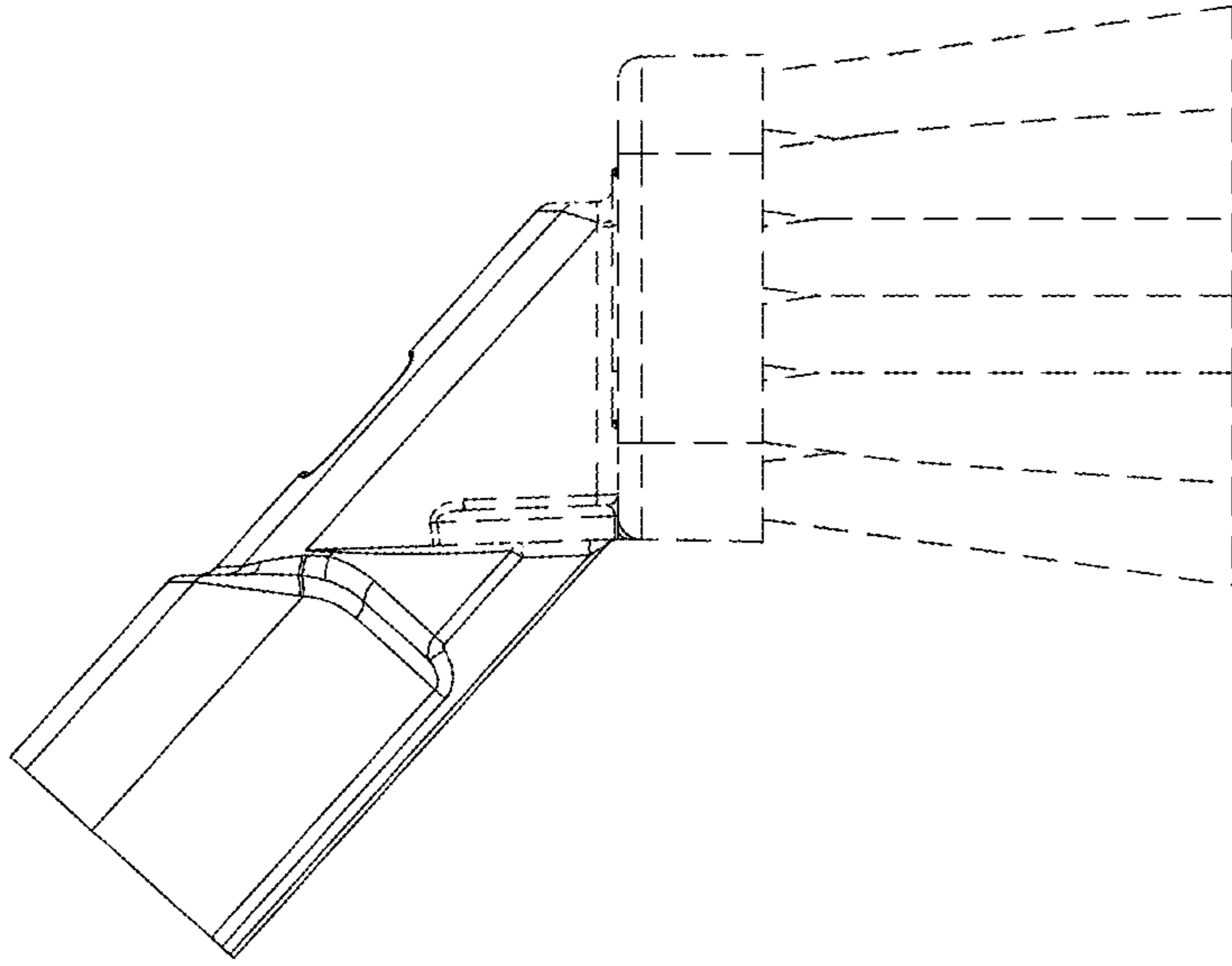


FIG. 6

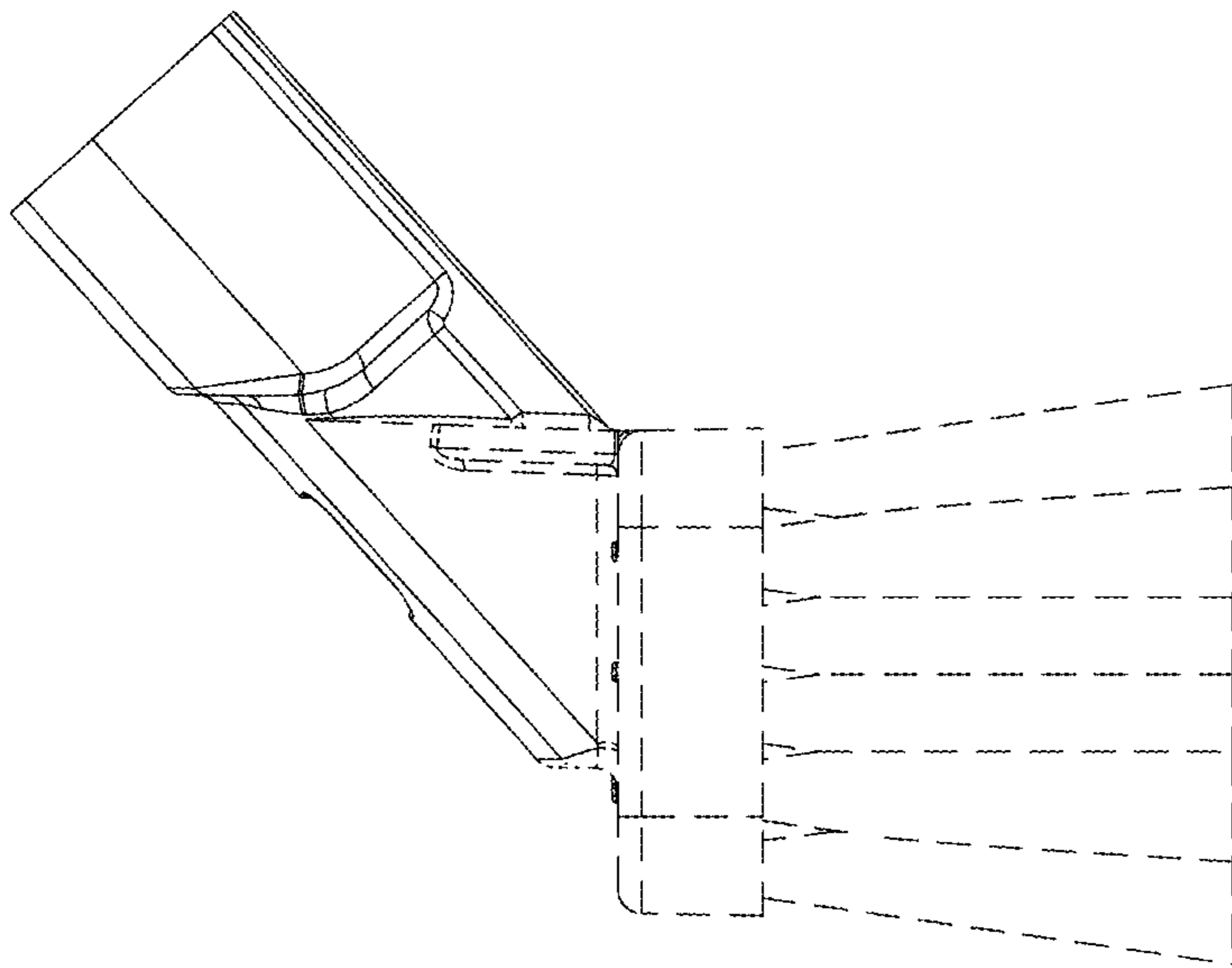


FIG. 7

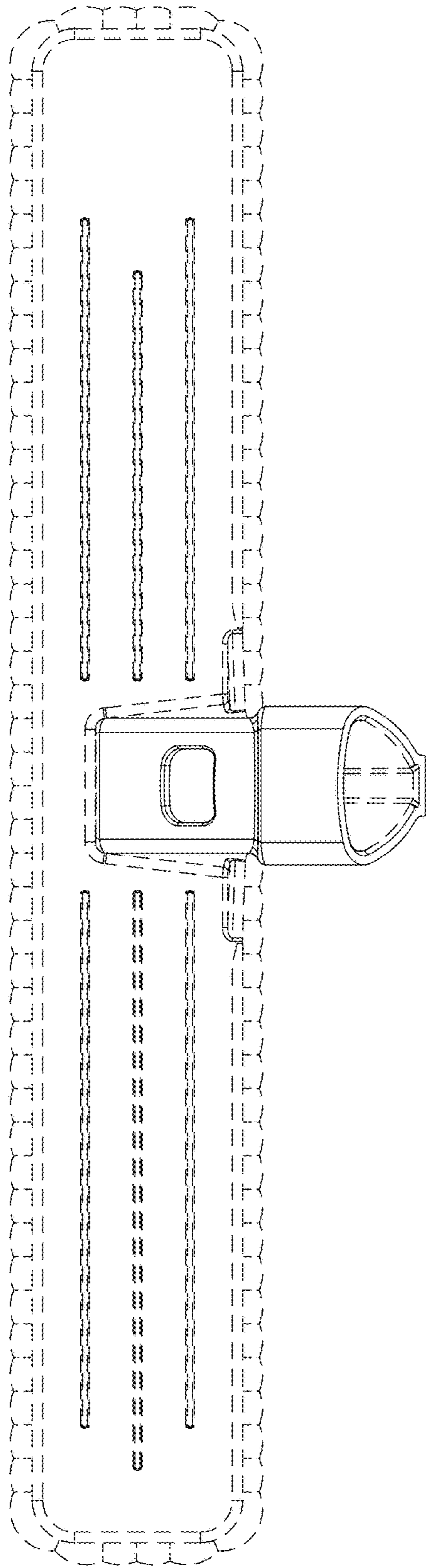


FIG. 8

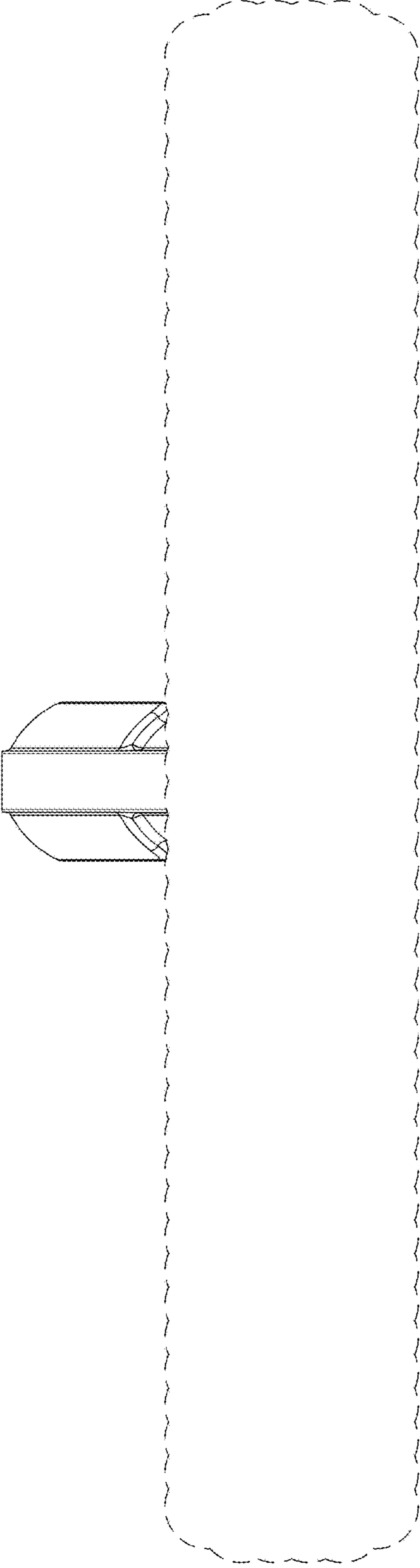


FIG. 9