



US00D809233S

(12) **United States Design Patent**  
**Opry et al.**

(10) **Patent No.:** **US D809,233 S**  
(45) **Date of Patent:** **\*\* Jan. 30, 2018**

- (54) **GUTTER CLEANING TOOL**
- (71) Applicants: **Jim Opry**, Largo, FL (US); **Freddy O’Pry**, Richmond, TX (US)
- (72) Inventors: **Jim Opry**, Largo, FL (US); **Freddy O’Pry**, Richmond, TX (US)
- (\*\*) Term: **15 Years**
- (21) Appl. No.: **29/569,945**
- (22) Filed: **Jul. 1, 2016**
- (51) **LOC (11) Cl.** ..... **07-05**
- (52) **U.S. Cl.**  
USPC ..... **D32/35**
- (58) **Field of Classification Search**  
USPC .... D32/14, 35, 42, 41, 49–52; D4/115, 130,  
D4/132; D8/14, 45  
CPC ..... E04D 13/0765; A46B 13/02; B05B 15/06  
See application file for complete search history.

- D392,781 S \* 3/1998 McKnight ..... 401/137
- 5,855,402 A \* 1/1999 Maraschiello ..... E04D 13/0765  
15/236.04
- D443,961 S \* 6/2001 McKnight ..... D32/35
- 6,428,067 B1 \* 8/2002 Barragan ..... E04D 13/0765  
15/236.04
- 6,497,317 B1 \* 12/2002 Chun ..... E04D 13/0765  
193/25 R
- 6,945,577 B1 \* 9/2005 Scott ..... E04D 13/0765  
15/236.04
- D620,659 S \* 7/2010 Christie ..... D32/46
- 2003/0051305 A1 \* 3/2003 Hewlett ..... E04D 13/0765  
15/236.04
- 2004/0000020 A1 \* 1/2004 Li ..... E04D 13/0765  
15/236.04

\* cited by examiner

*Primary Examiner* — Michael A. Pratt  
*Assistant Examiner* — Michelle E Wilson  
(74) *Attorney, Agent, or Firm* — Gulf Coast Intellectual Property Group

(57) **CLAIM**

The ornamental design for the gutter cleaning tool, as shown and described.

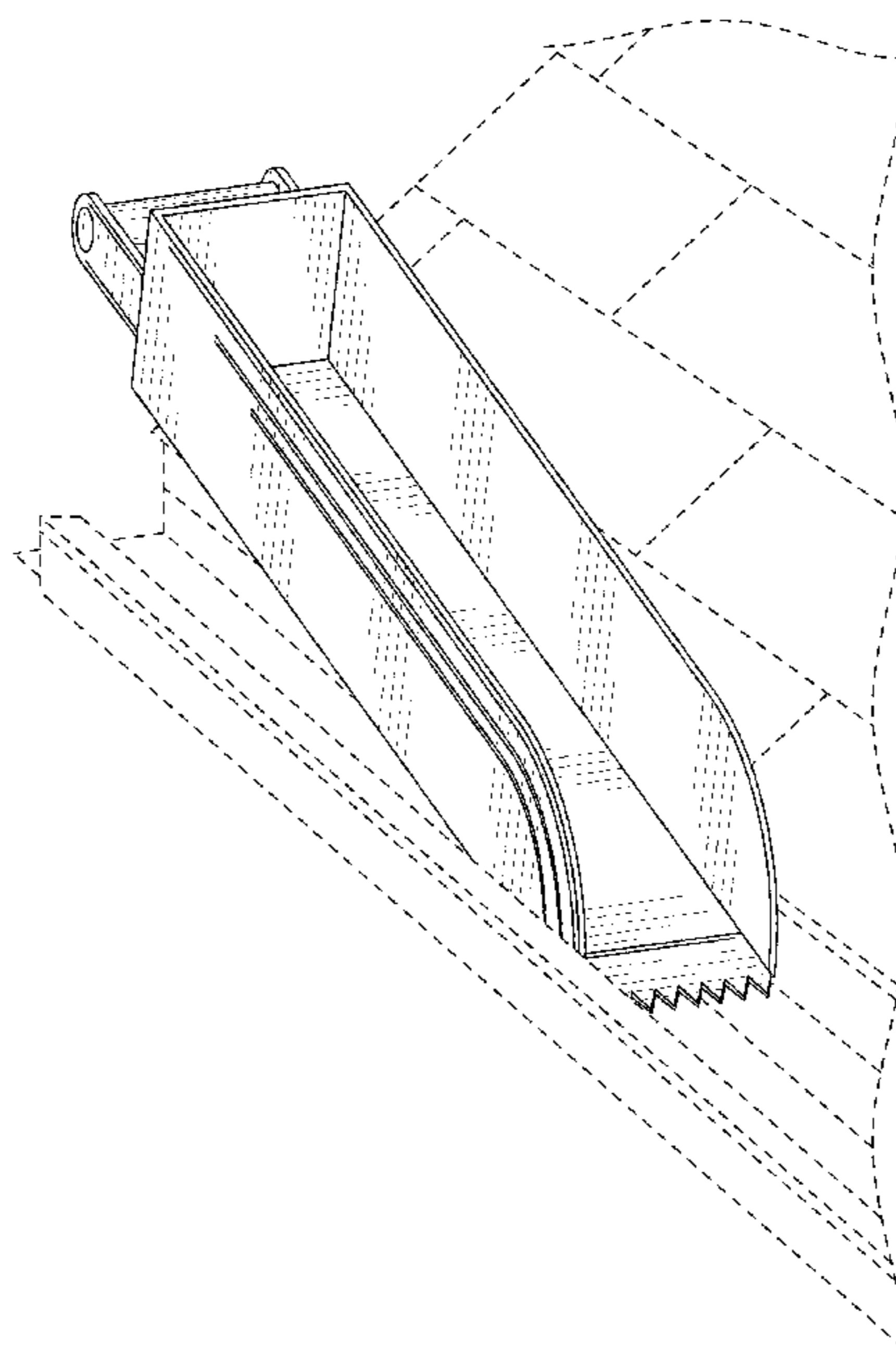
**DESCRIPTION**

FIG. 1 is a perspective view of the present invention; and FIG. 2 is a left side view of the present invention; and FIG. 3 is a right side view of the present invention; and FIG. 4 is a top plan view of the present invention; and FIG. 5 is a bottom plan view of the present invention; and FIG. 6 is a front view of the present invention; and, FIG. 7 is a rear view of the present invention.

Wherein the dotted lines herein illustrate environment and use and do not form any part of the claimed design.

**1 Claim, 4 Drawing Sheets**

- (56) **References Cited**  
U.S. PATENT DOCUMENTS
- 3,858,267 A \* 1/1975 Swannie ..... E04D 13/0765  
15/144.1
- D267,357 S \* 12/1982 Hillstrom ..... 294/176
- 4,640,540 A \* 2/1987 Chisholm ..... E04D 13/0765  
15/236.04
- 4,848,818 A \* 7/1989 Smith ..... E04D 13/0765  
15/236.04
- D310,590 S \* 9/1990 Williams, Jr. .... D32/49
- 4,958,397 A \* 9/1990 Ryan ..... A46B 13/02  
15/23
- D335,558 S \* 5/1993 Boothe ..... D32/49
- 5,390,853 A \* 2/1995 Ellul ..... B05B 15/06  
239/282
- D374,319 S \* 10/1996 Schildgen ..... D32/35



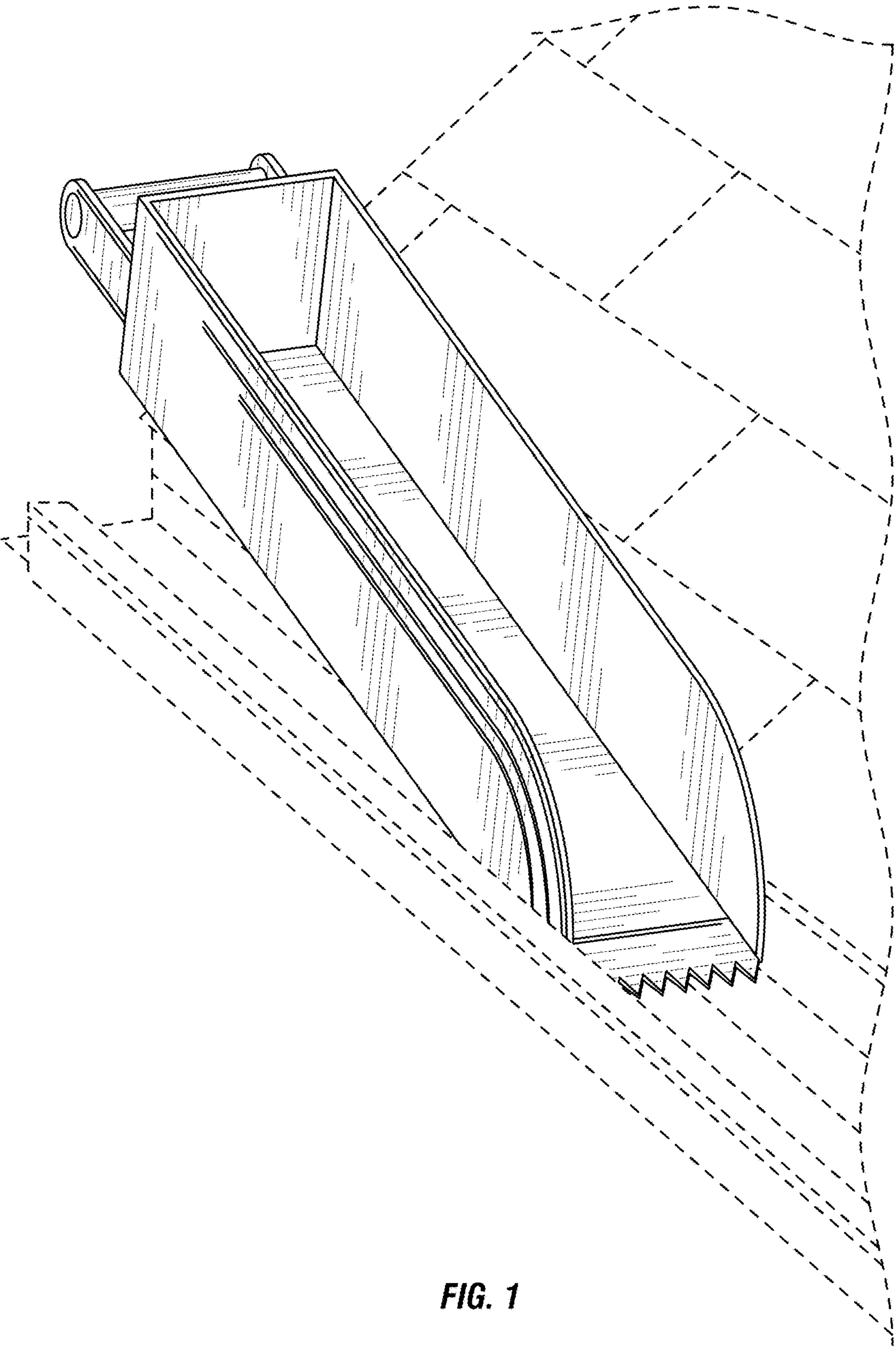


FIG. 1

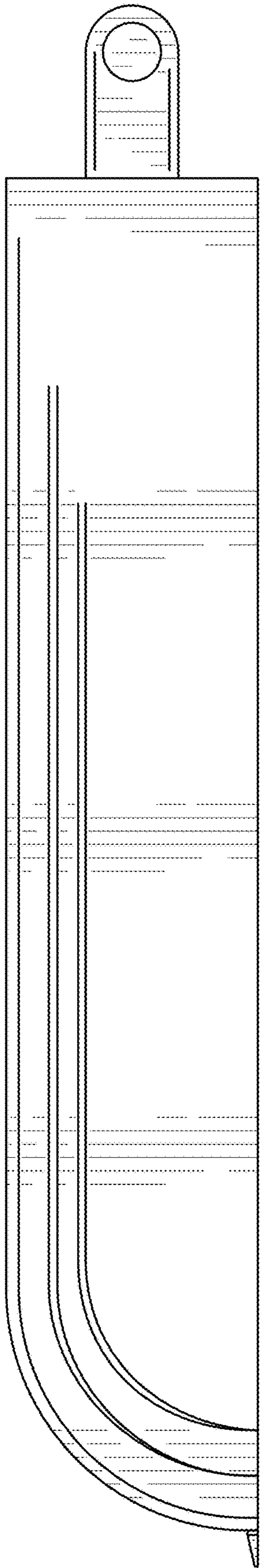


FIG. 2

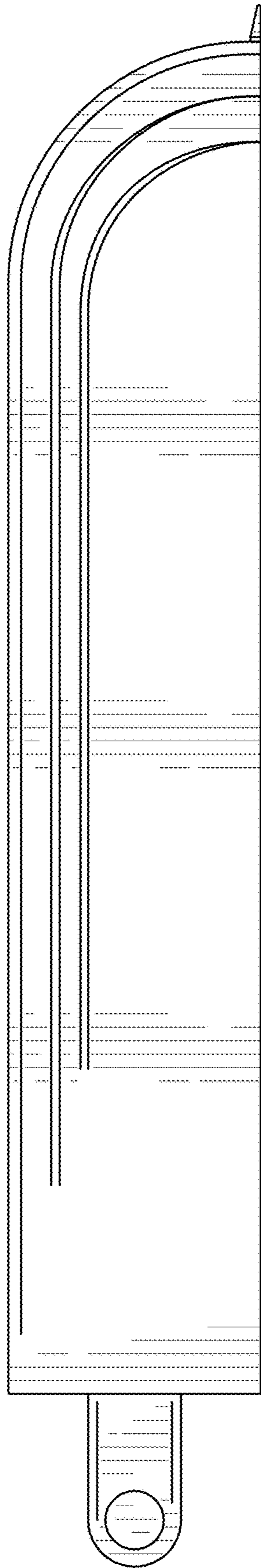


FIG. 3

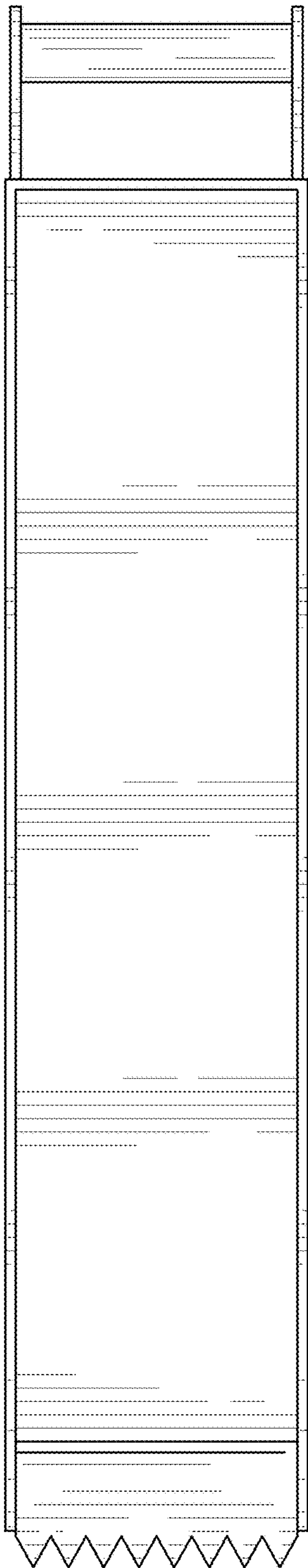


FIG. 4

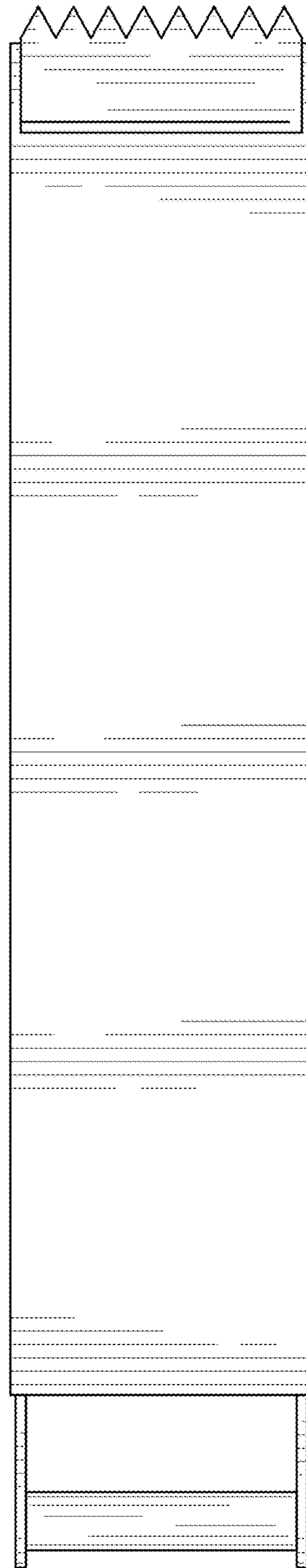
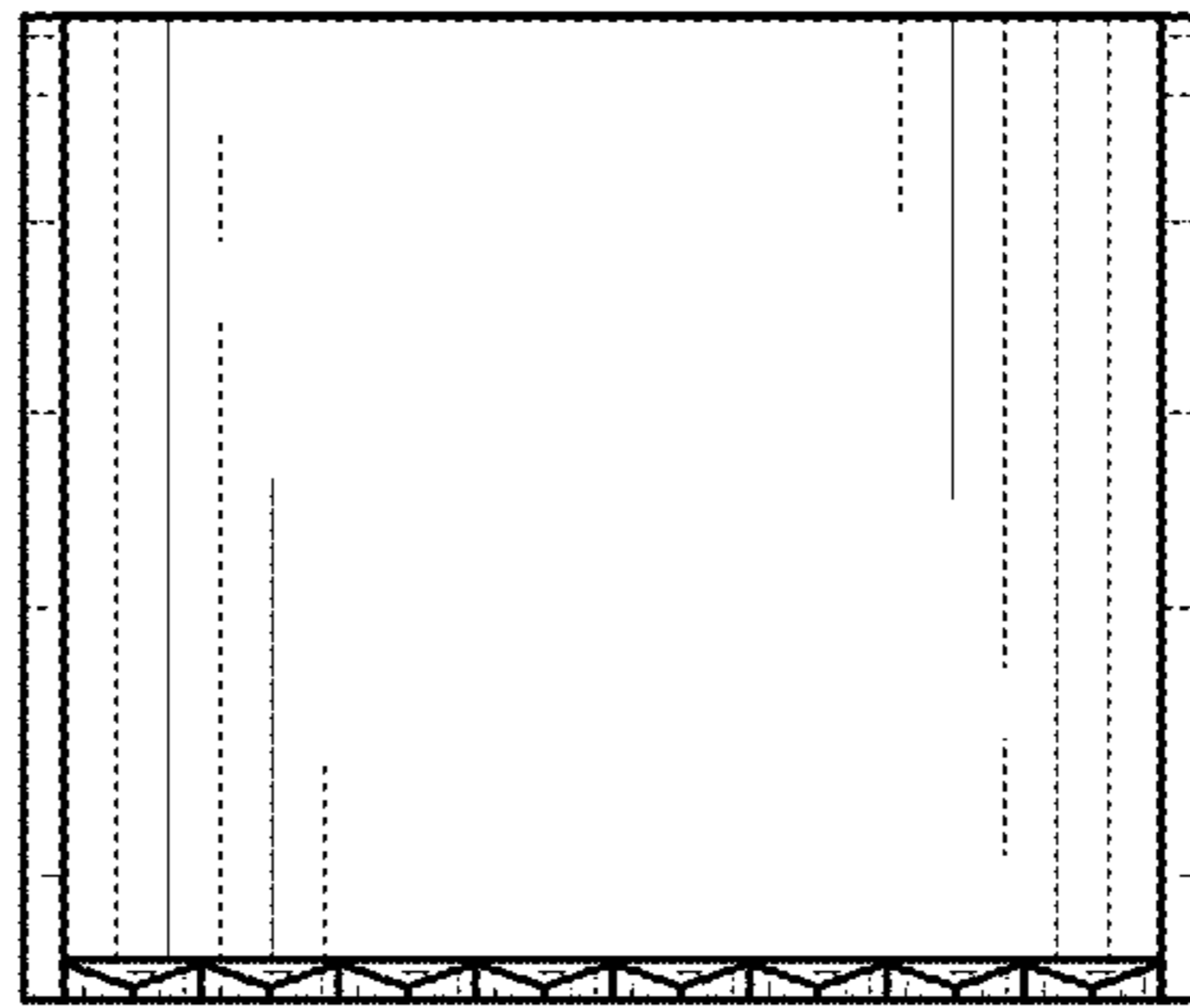
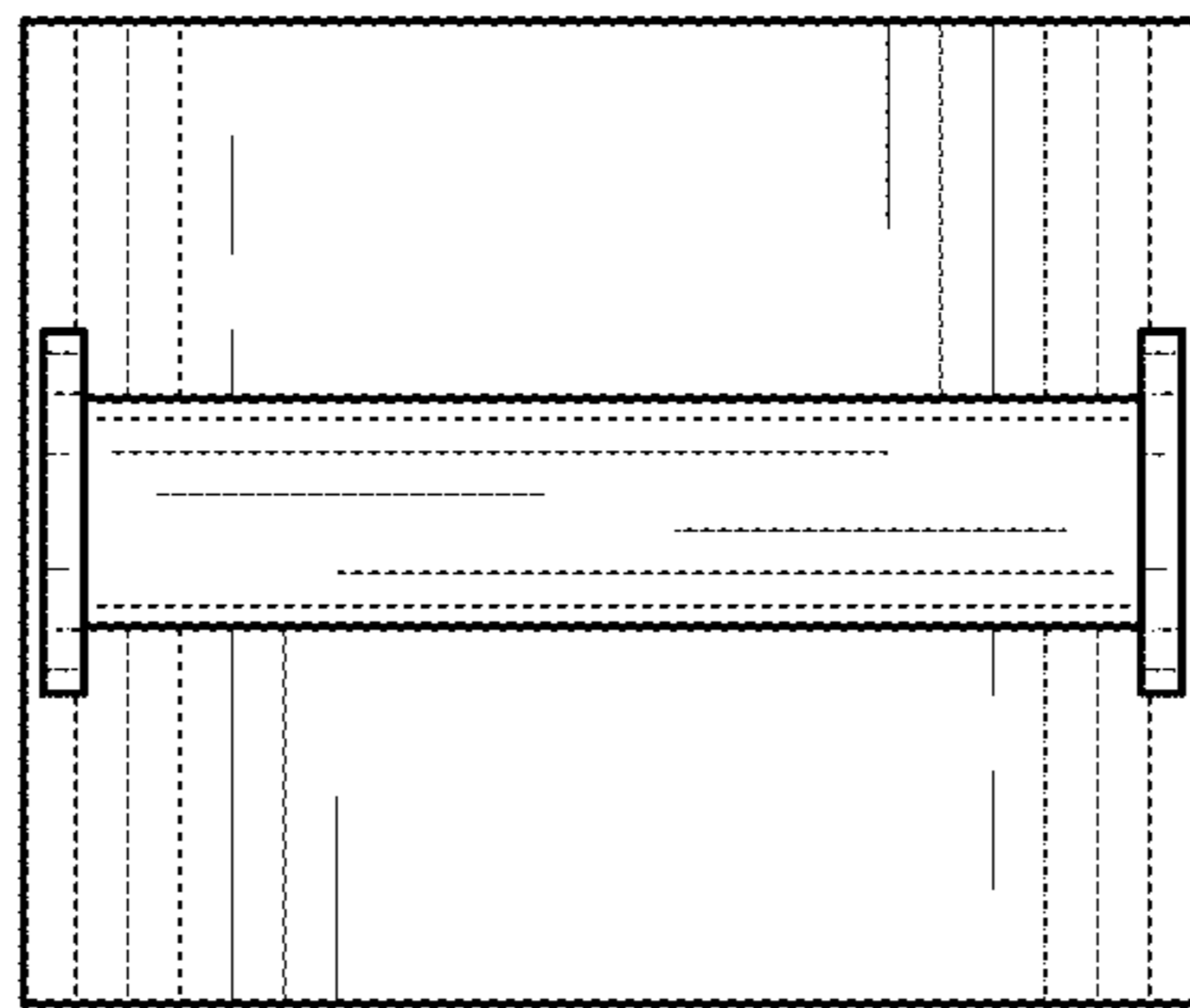


FIG. 5



**FIG. 6**



**FIG. 7**