



US00D809232S

(12) **United States Design Patent**
Wu

(10) **Patent No.:** **US D809,232 S**
(45) **Date of Patent:** **** Jan. 30, 2018**

(54) **COMBINED TRAY AND BRUSH HOLDER FOR A SURFACE CLEANING APPARATUS**

(71) Applicant: **BISSELL HOMECARE, INC.**, Grand Rapids, MI (US)

(72) Inventor: **Hui Wu**, Shenzhen (CN)

(73) Assignee: **BISSELL Homecare, Inc.**, Grand Rapids, MI (US)

(**) Term: **15 Years**

(21) Appl. No.: **29/565,441**

(22) Filed: **May 20, 2016**

(51) **LOC (11) Cl.** **15-05**

(52) **U.S. Cl.**
USPC **D32/31**

(58) **Field of Classification Search**
USPC D32/17, 21, 22, 31, 34
CPC . A47L 9/32; A47L 9/325; A47L 9/327; A47L 9/20; A47L 9/0009; A47L 9/0054; A47L 9/0063; A47L 5/28; A47L 5/30; A47L 5/34

See application file for complete search history.

(56) **References Cited**

U.S. PATENT DOCUMENTS

D414,305 S * 9/1999 Rohn D32/31
6,381,802 B2 * 5/2002 Park A47L 5/30
15/325

8,001,653 B1 * 8/2011 Longley A47L 5/30
15/367
8,707,497 B2 * 4/2014 Liu A47L 9/0009
15/32
8,819,882 B2 * 9/2014 De Wit A46B 17/06
15/246.2
9,060,665 B2 * 6/2015 Thorne B25G 1/06
9,642,507 B2 * 5/2017 Bosses A47L 9/0027

* cited by examiner

Primary Examiner — Ruth McInroy

(74) *Attorney, Agent, or Firm* — McGarry Bair PC

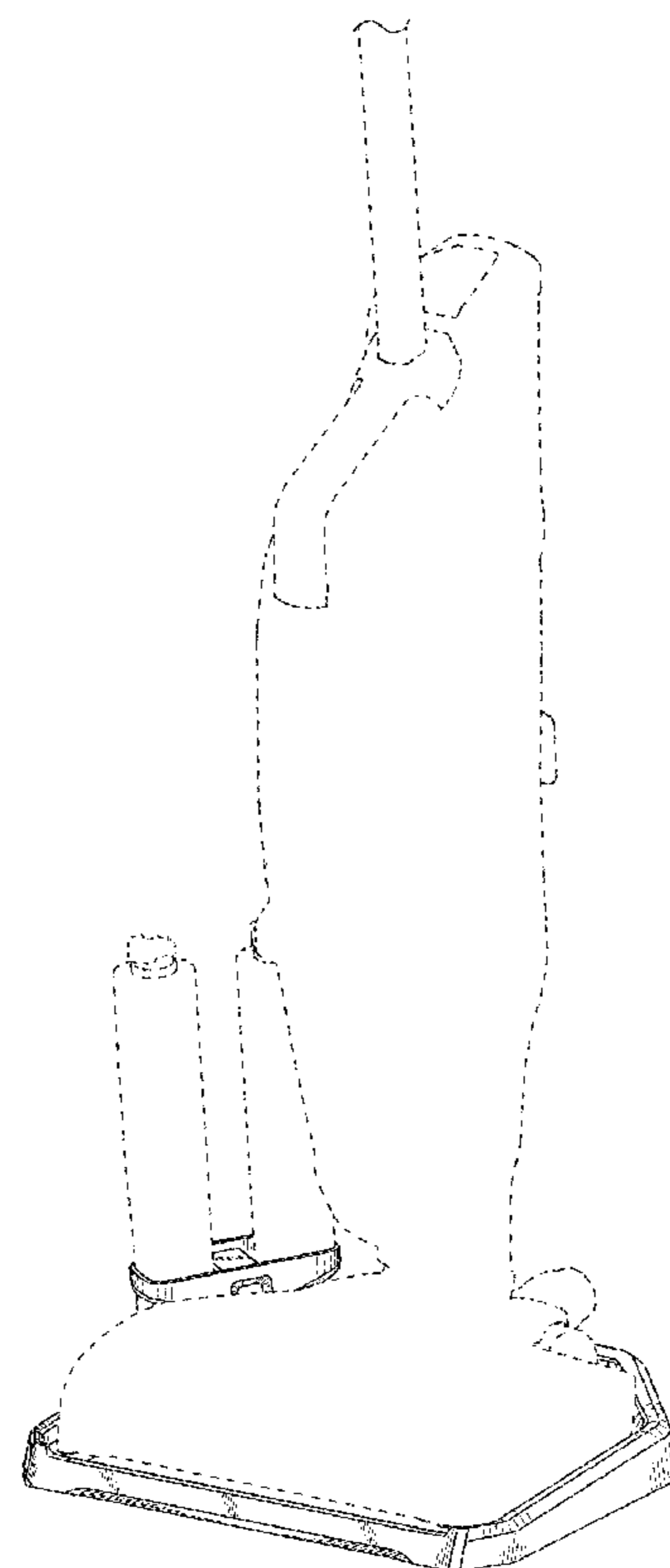
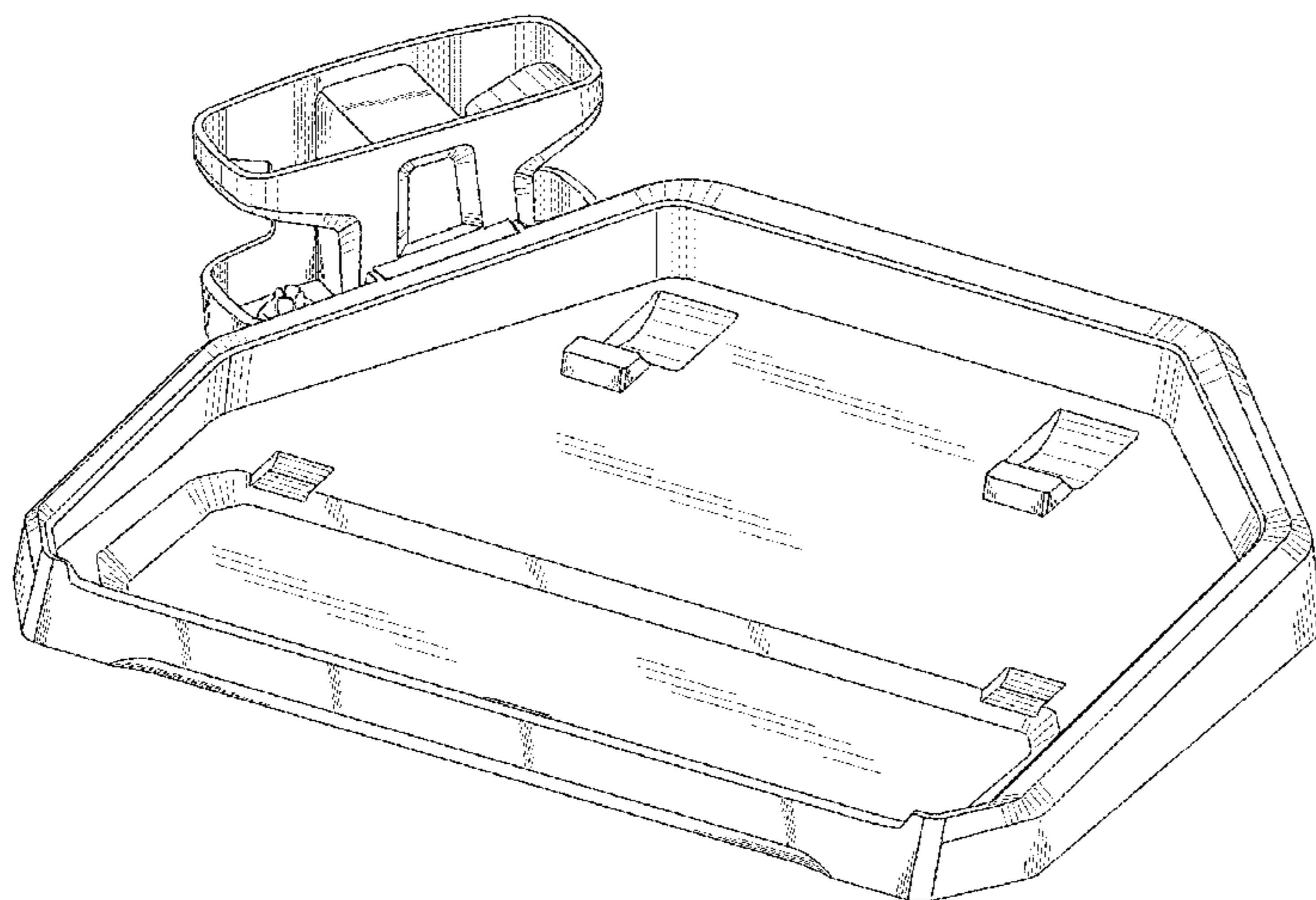
(57) **CLAIM**

The ornamental design for a combined tray and brush holder for a surface cleaning apparatus, as shown and described.

DESCRIPTION

FIG. 1 is a front, right perspective view of a combined tray and brush holder for a surface cleaning apparatus showing my new design;
FIG. 2 is a top view thereof;
FIG. 3 is a rear view thereof;
FIG. 4 is a front view thereof;
FIG. 5 is a right side view thereof;
FIG. 6 is a left side view thereof; and,
FIG. 7 is a front, right perspective view thereof, the upright surface cleaning apparatus and two brushes shown in broken lines form no part of the claimed design.

1 Claim, 5 Drawing Sheets



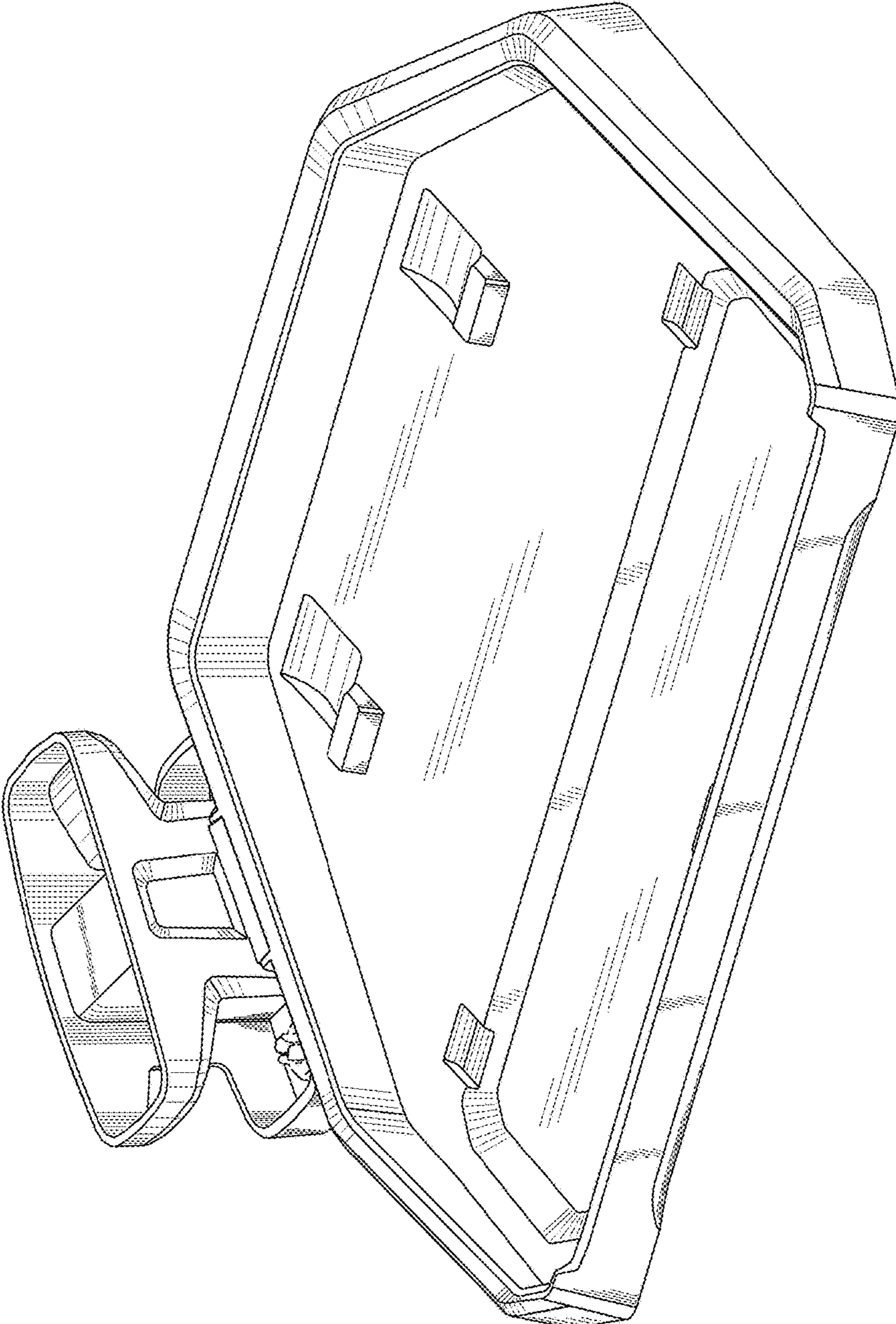


FIG. 1

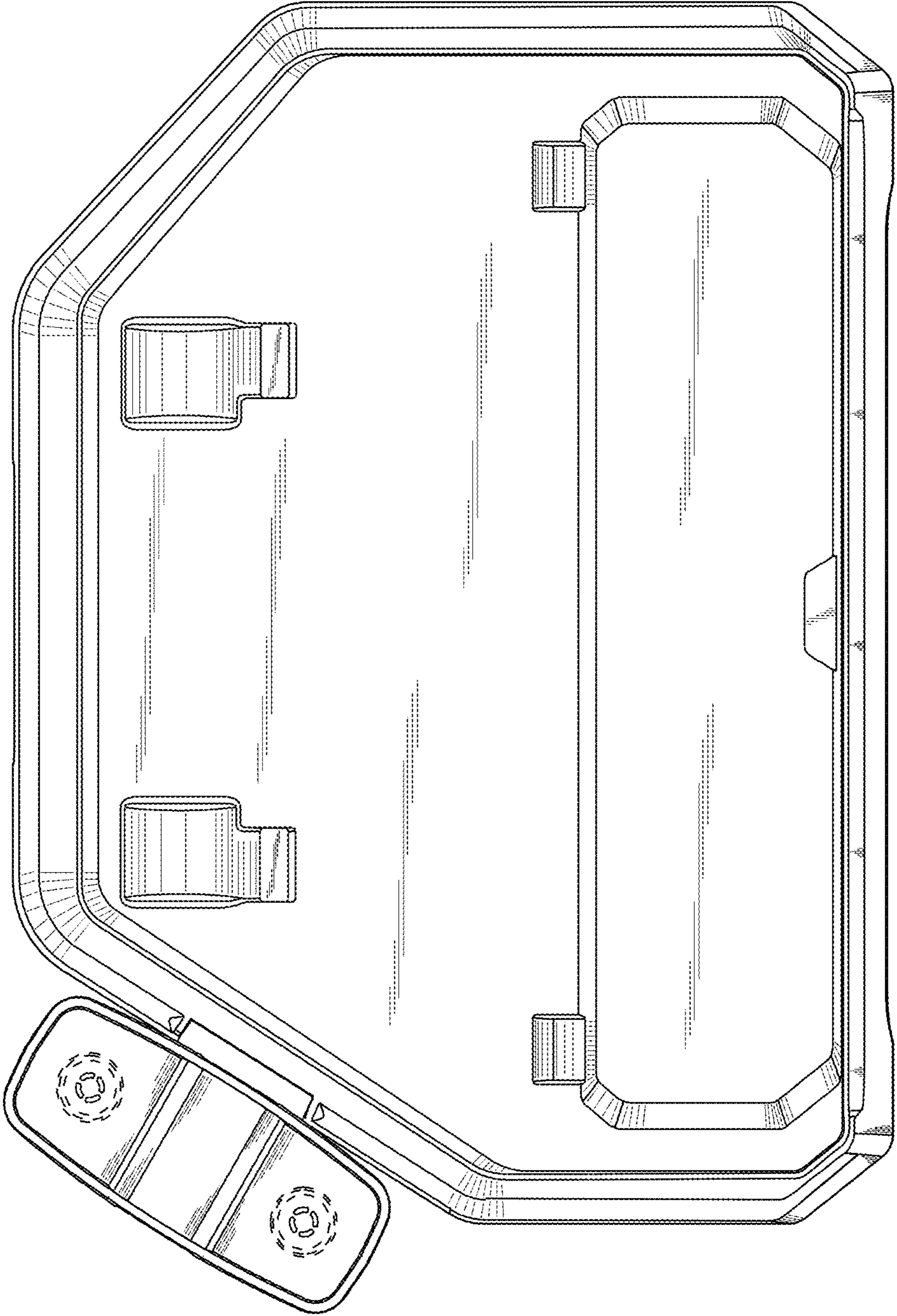


FIG. 2

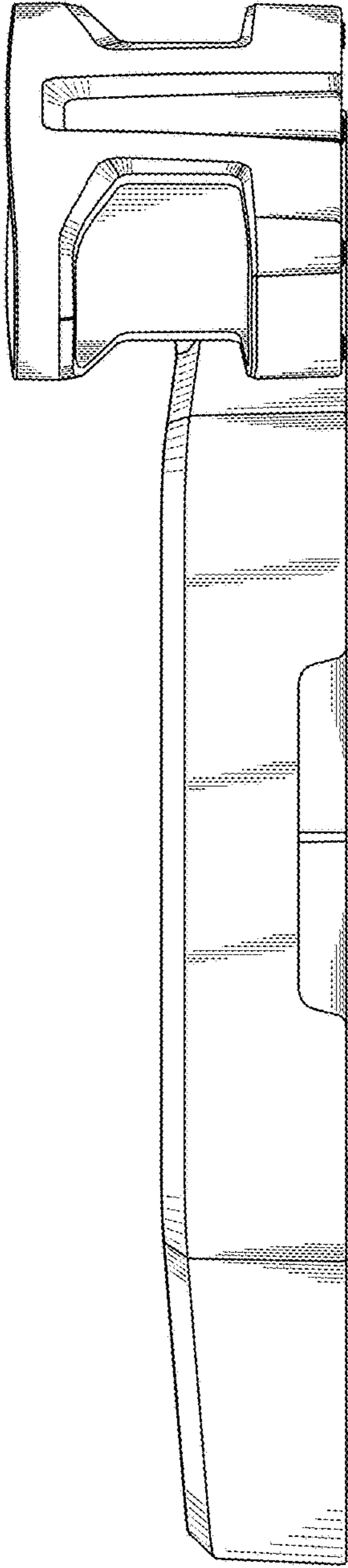


FIG. 3

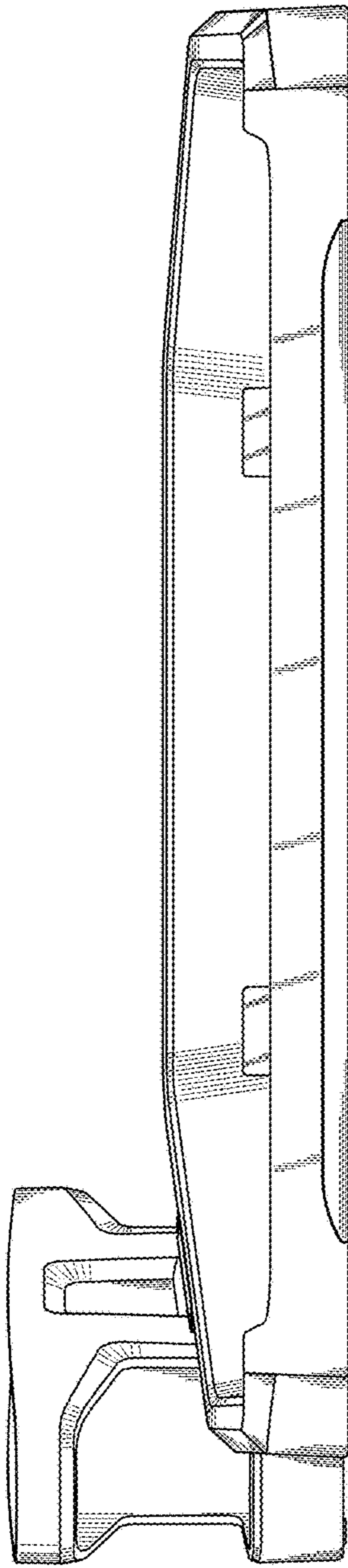


FIG. 4

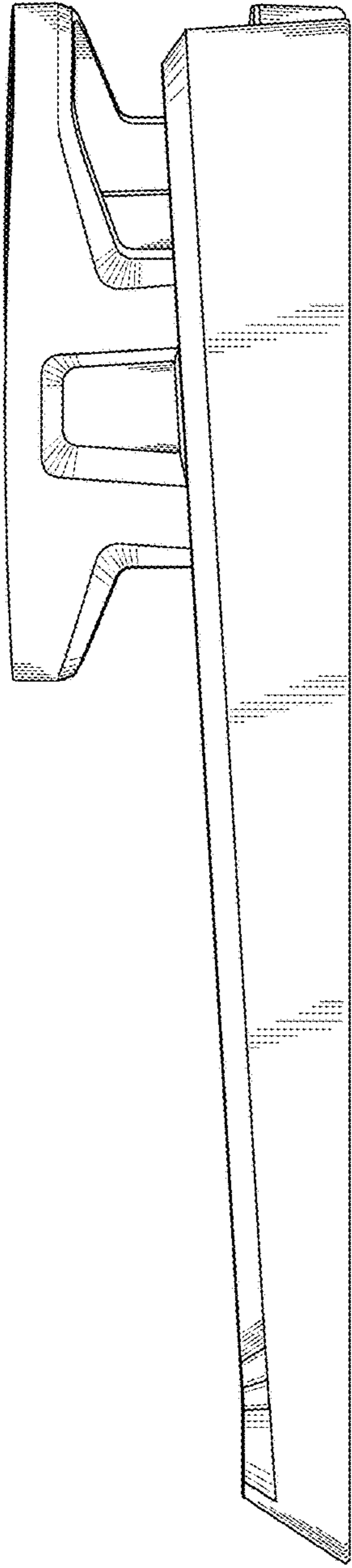


FIG. 5

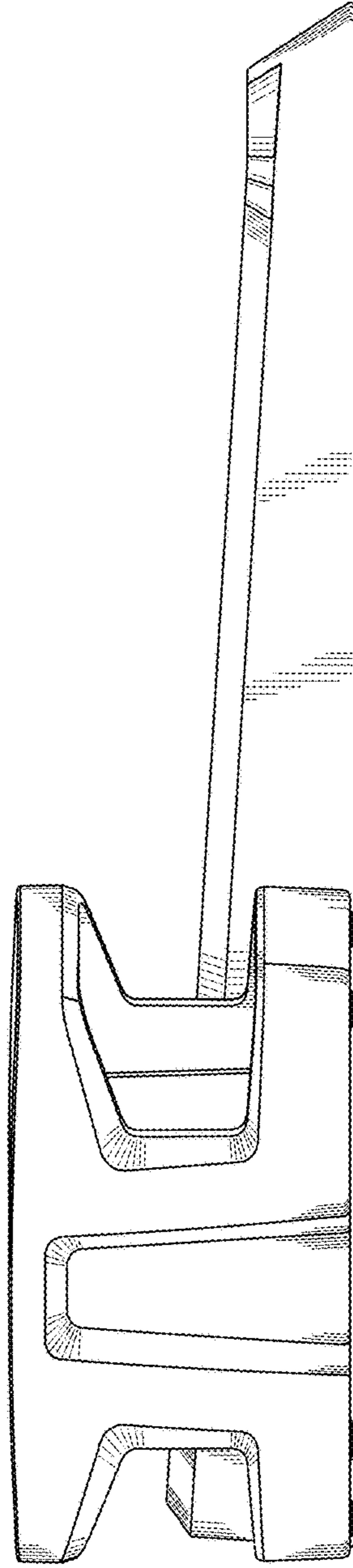


FIG. 6

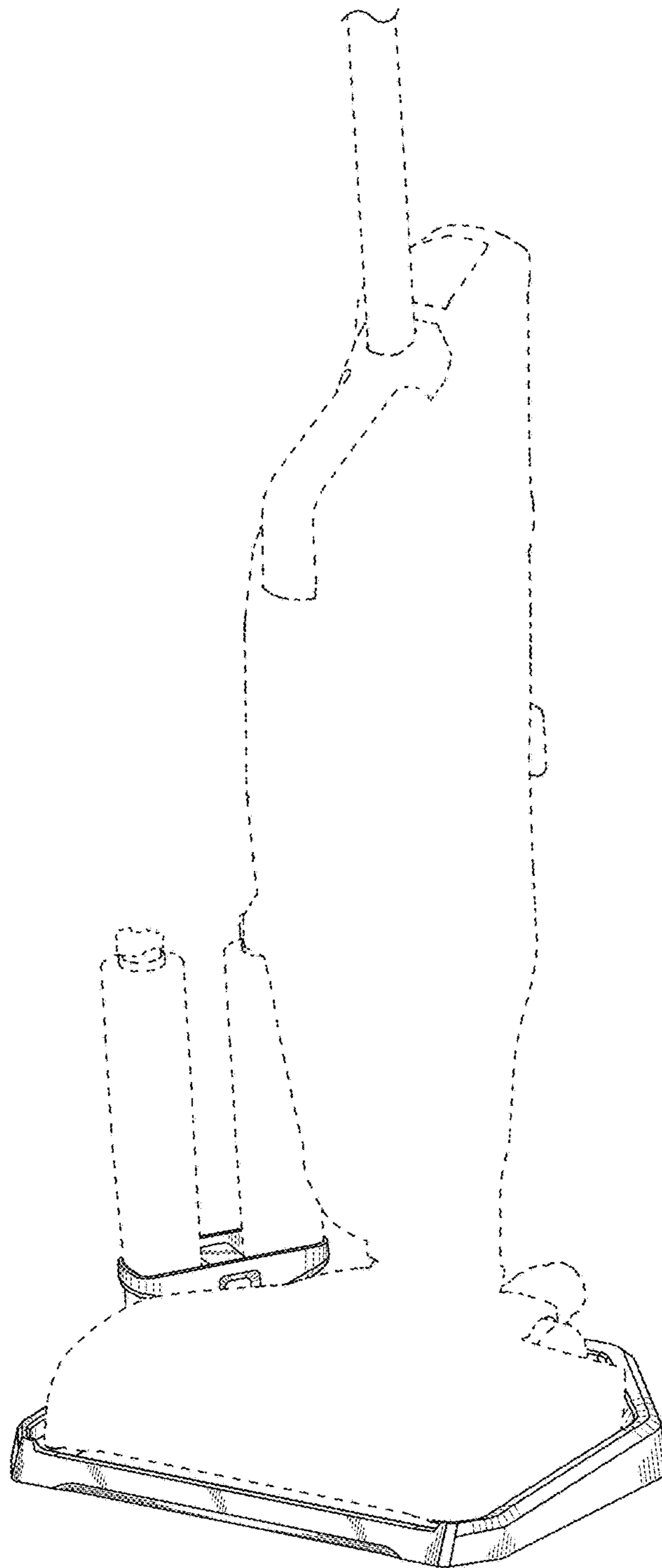


FIG. 7