



US00D809231S

(12) **United States Design Patent**  
**Luo et al.**

(10) **Patent No.:** **US D809,231 S**

(45) **Date of Patent:** **\*\* \*Jan. 30, 2018**

(54) **HEAD FOR VACUUM CLEANER**

7/0019; A47L 7/0004; A47L 11/34; A47L  
11/29; A47L 11/30; E04H 4/1654

See application file for complete search history.

(71) Applicant: **Samsung Electronics Co., Ltd.**,  
Suwon-si, Gyeonggi-do (KR)

(56) **References Cited**

(72) Inventors: **Haibo Luo**, Shanghai (CN); **Masato Suzuki**, Saitama (JP); **Keiichi Minamide**, Tokyo (JP); **Hirohisa Miyazaki**, Tokyo (JP); **Chen Cui**, Shanghai (CN); **Lijun Qi**, Shanghai (CN); **Mitsuhiro Shigeri**, Yokohama-Shi (JP); **Jing Xie**, Shanghai (CN); **Chen Jun**, Shanghai (CN)

U.S. PATENT DOCUMENTS

D527,502	S	*	8/2006	Yoshimoto	.....	D32/18
D543,667	S	*	5/2007	Yoshimoto	.....	D32/18
D550,410	S	*	9/2007	Khalil	.....	D32/18
D575,013	S	*	8/2008	Gee, II	.....	D32/18
D594,607	S	*	6/2009	Farone	.....	D32/18
2009/0038108	A1	*	2/2009	Shaanan	.....	A47L 5/14 15/344
2011/0192286	A1	*	8/2011	Lee	.....	A47L 5/24 96/417

(Continued)

*Primary Examiner* — Ruth McInroy

(73) Assignee: **Samsung Electronics Co., Ltd.**,  
Suwon-si (KR)

(74) *Attorney, Agent, or Firm* — Cantor Colburn LLP

(\*) Notice: This patent is subject to a terminal disclaimer.

(57) **CLAIM**

We claim the ornamental design for a head for a vacuum cleaner, as shown and described.

(\*\*) Term: **15 Years**

**DESCRIPTION**

(21) Appl. No.: **29/547,990**

FIG. 1 is a front perspective view of a head for a vacuum cleaner showing our new design;  
FIG. 2 is a front view thereof;  
FIG. 3 is a rear view thereof;  
FIG. 4 is a left-side view thereof;  
FIG. 5 is a right-side view thereof;  
FIG. 6 is a top view thereof;  
FIG. 7 is a bottom view thereof;  
FIG. 8 is a rear perspective view thereof;  
FIG. 9 is a perspective view thereof showing the unclaimed bristles attached to the vacuum cleaner head;  
FIG. 10 is a perspective view thereof showing the vacuum cleaner head in use; and,  
FIG. 11 is a perspective view thereof showing the vacuum cleaner head in an extended position from the body of the vacuum cleaner.

(22) Filed: **Dec. 9, 2015**

(30) **Foreign Application Priority Data**

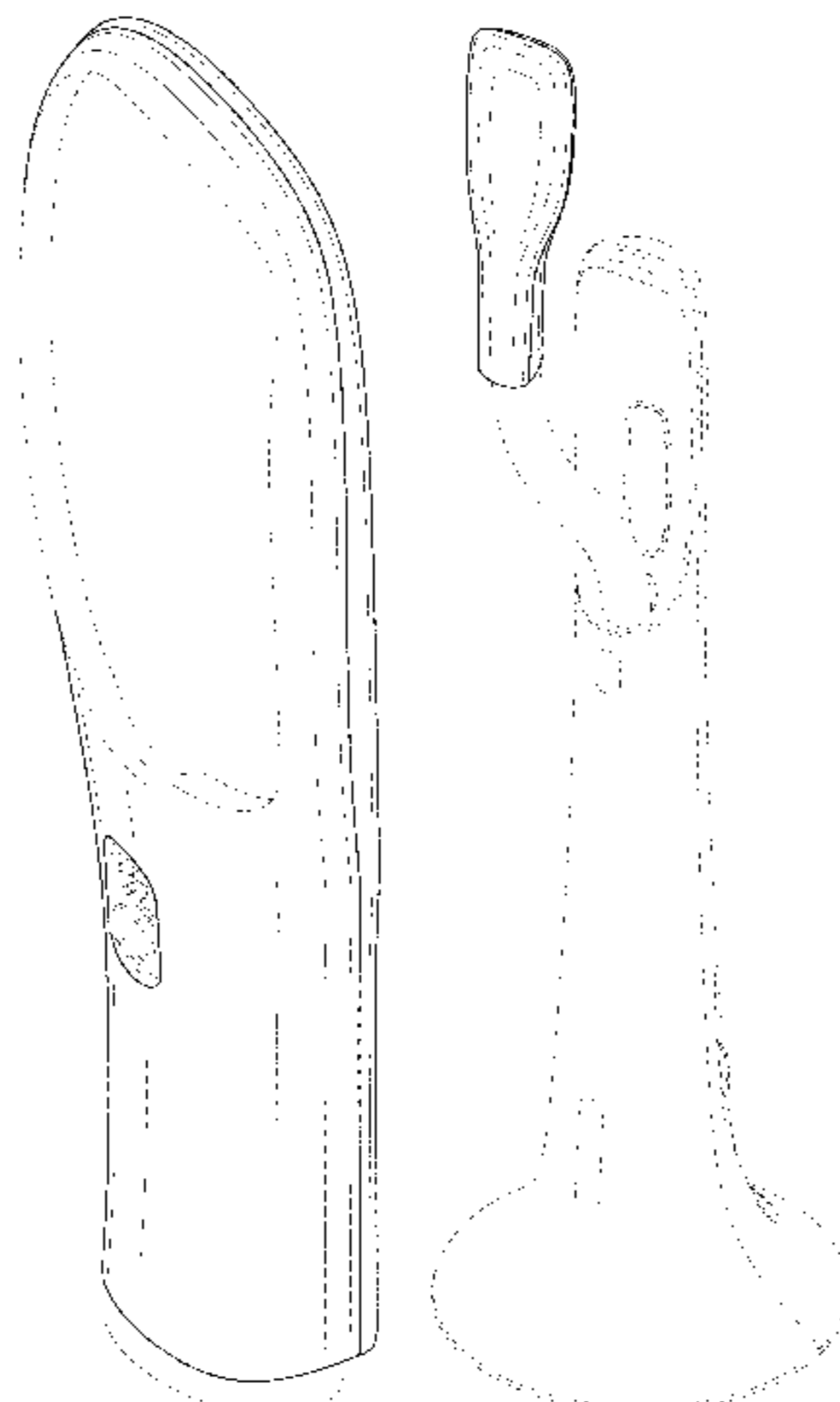
Jun. 10, 2015 (KR) ..... 30-2015-0029150

(51) **LOC (11) Cl.** ..... **15-05**

(52) **U.S. Cl.**  
USPC ..... **D32/31**

(58) **Field of Classification Search**  
USPC ..... D32/18, 21-23, 31-34  
CPC ..... G06N 3/008; A47L 9/2857; A47L 9/2842;  
A47L 9/2852; A47L 9/00; A47L 9/325;  
A47L 5/36-5/367; A47L 5/24; A47L

(Continued)



The details shown in broken lines form no part of the claimed design. The dot-dash broken lines define boundaries of the claimed design and form no part thereof.

**1 Claim, 10 Drawing Sheets**

(56) **References Cited**

U.S. PATENT DOCUMENTS

2014/0366312 A1\* 12/2014 Christensen ..... A47L 7/0066  
15/344  
2015/0307066 A1\* 10/2015 Camiller ..... B60S 3/008  
296/37.13

\* cited by examiner

FIG. 1

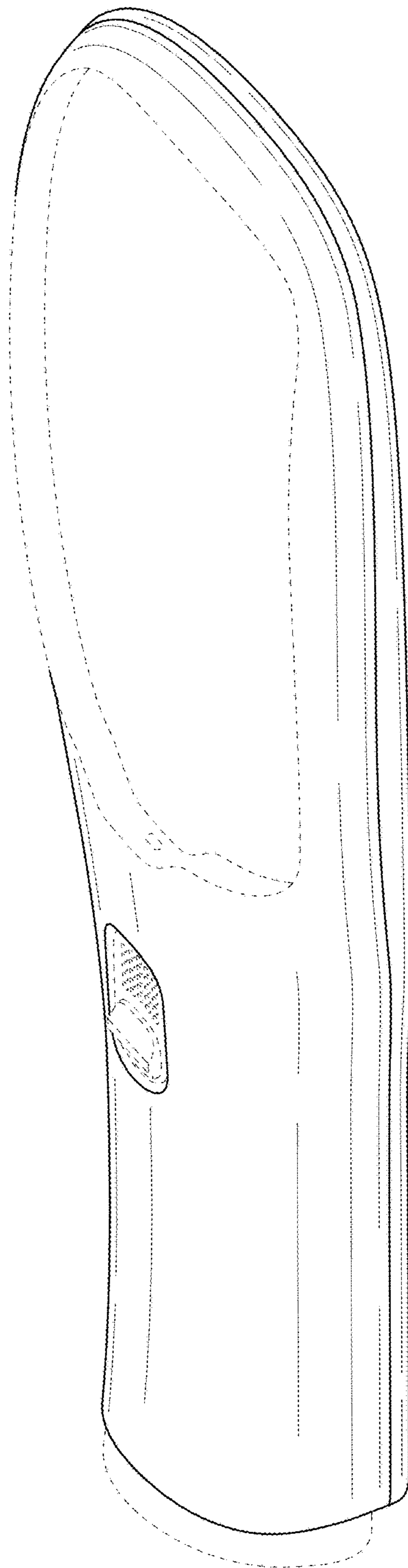


FIG.2

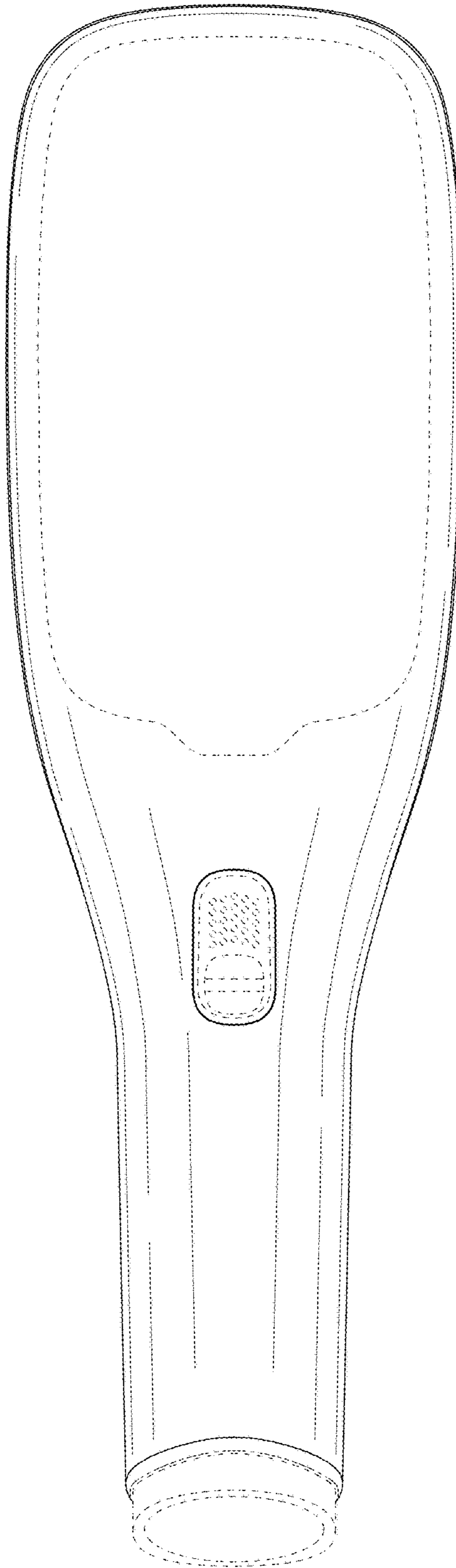


FIG.3

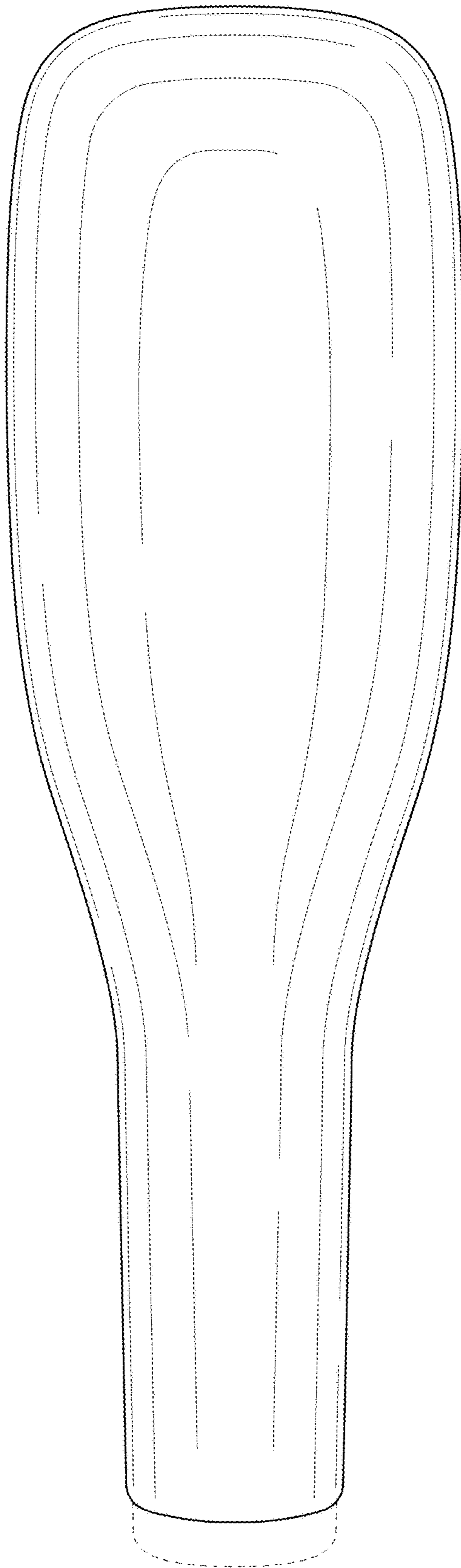


FIG.4

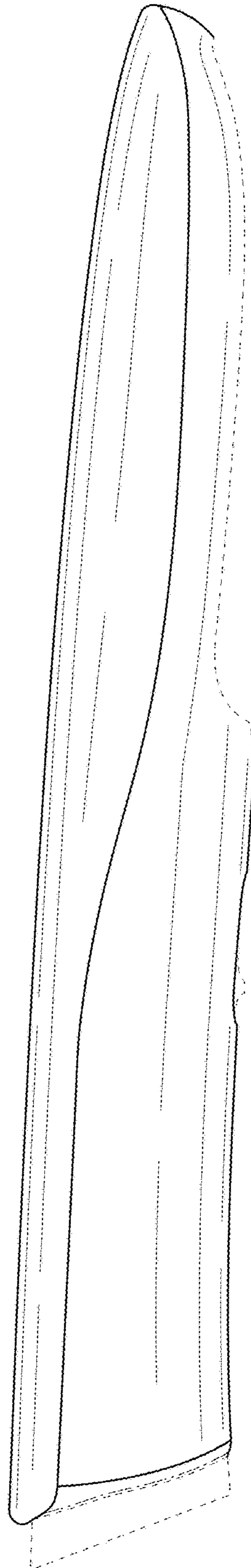


FIG.5

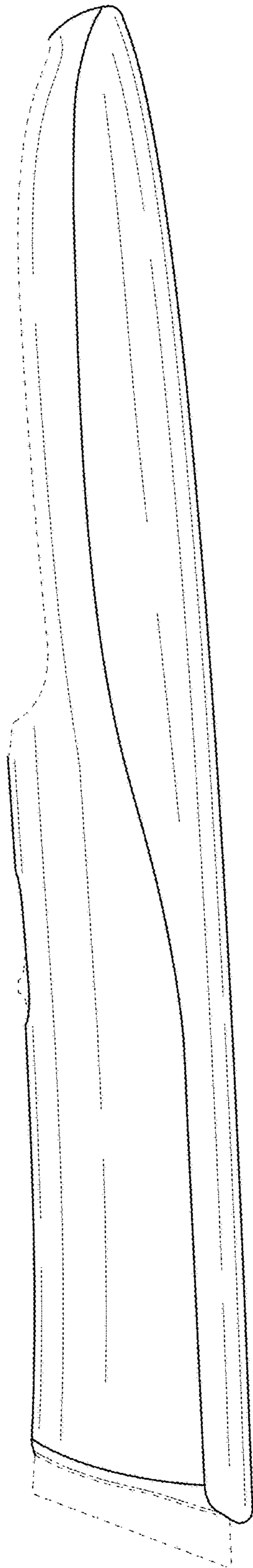


FIG.6

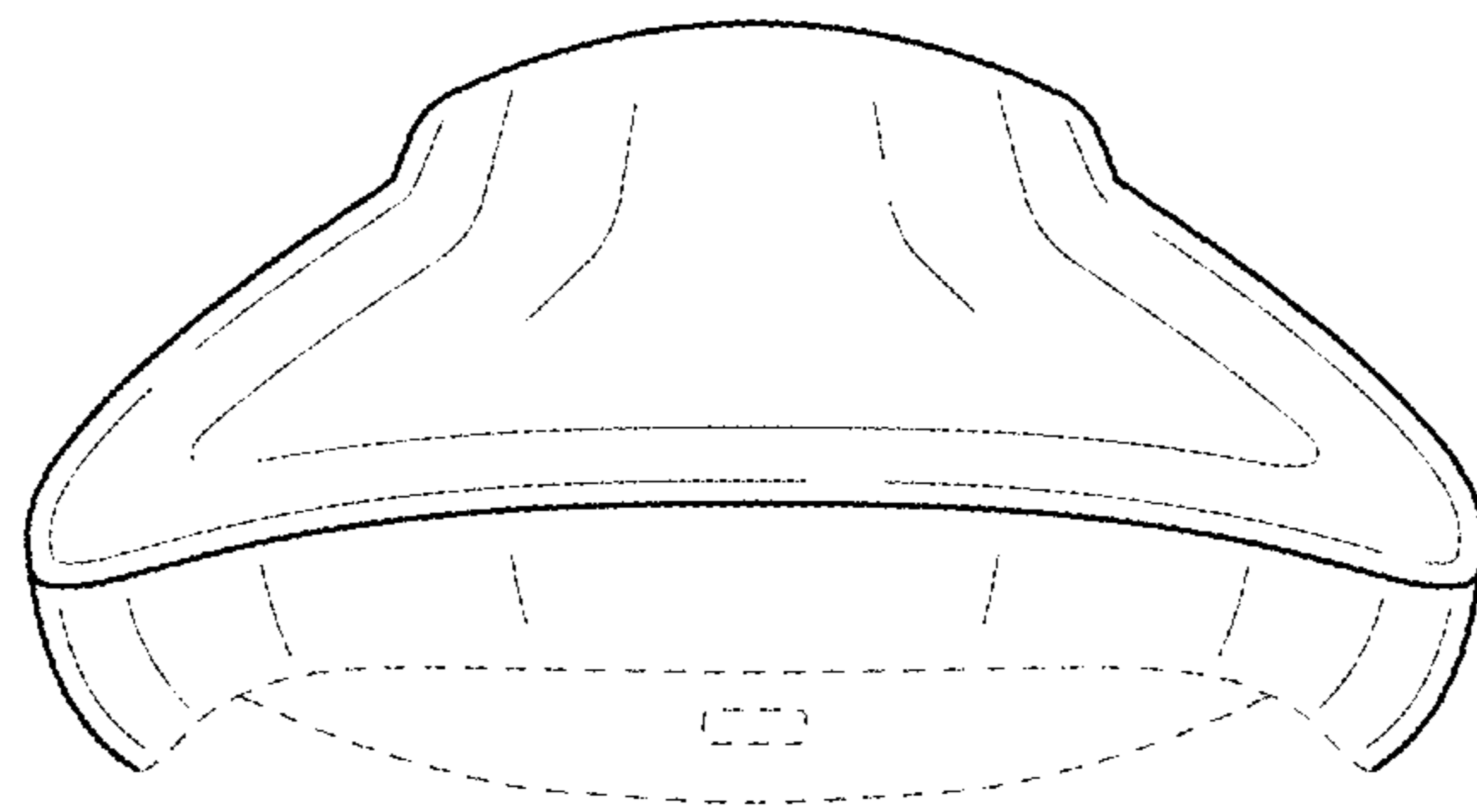


FIG.7

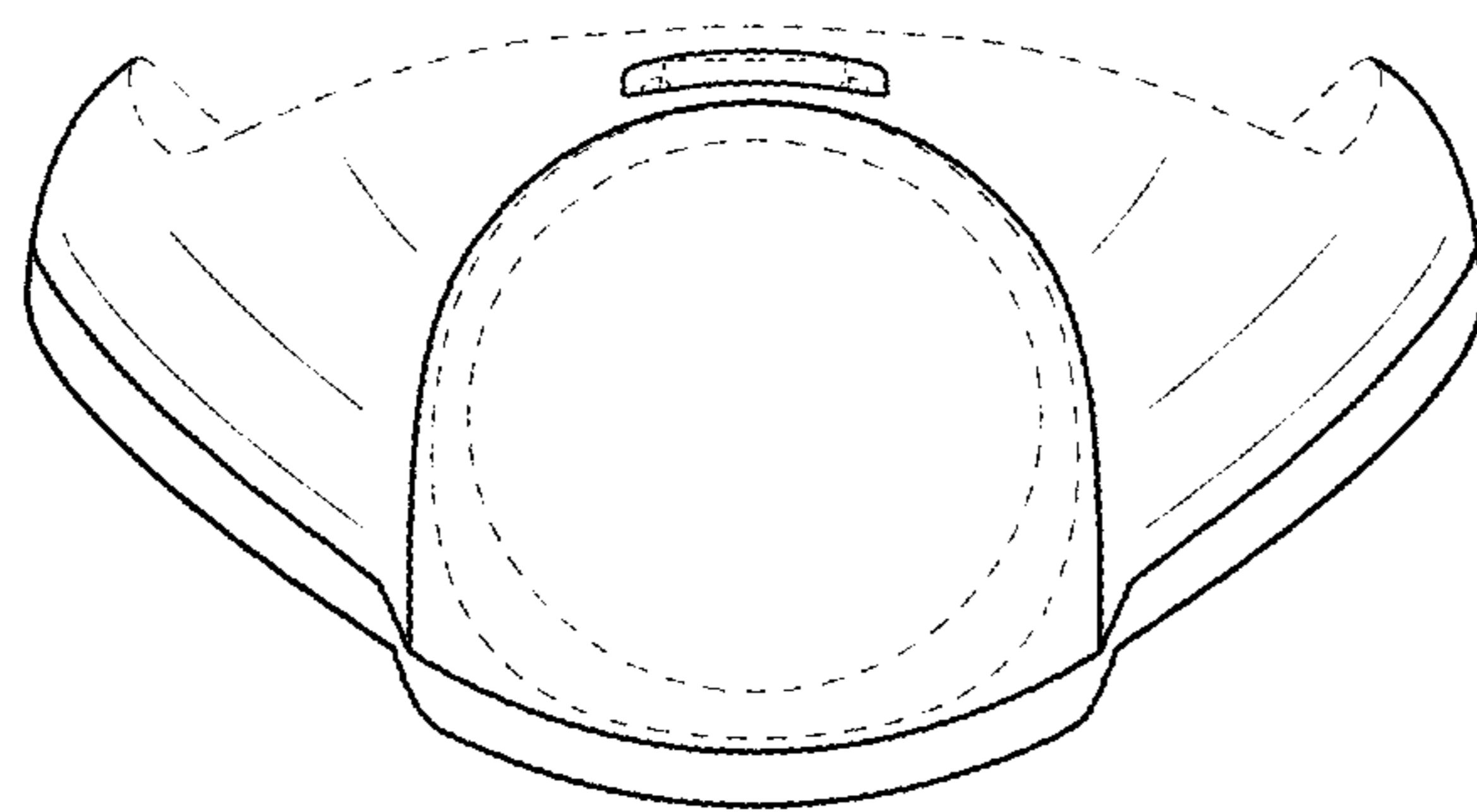




FIG.8

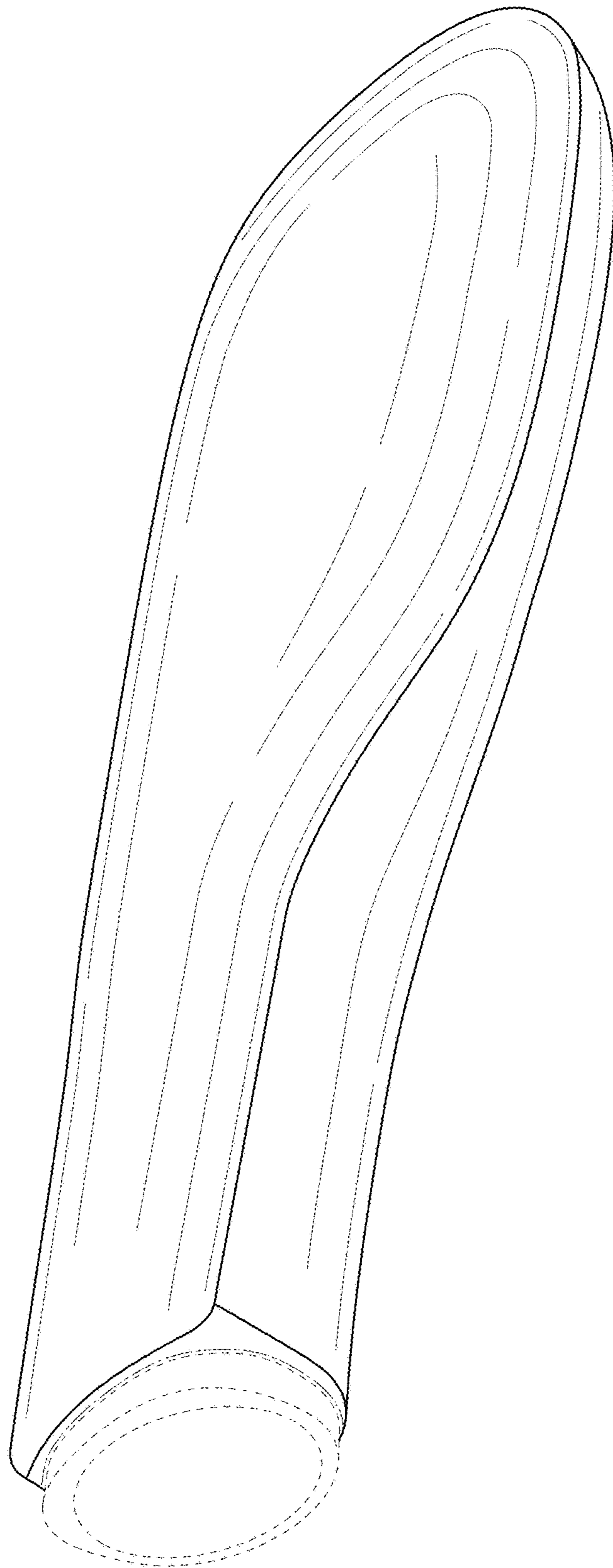


FIG.9

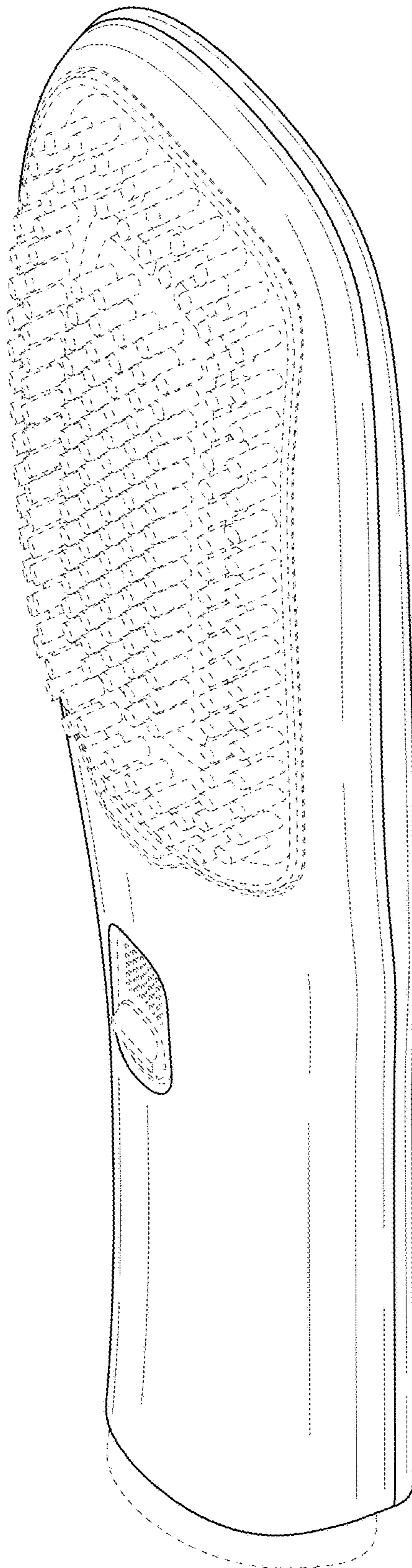


FIG.10

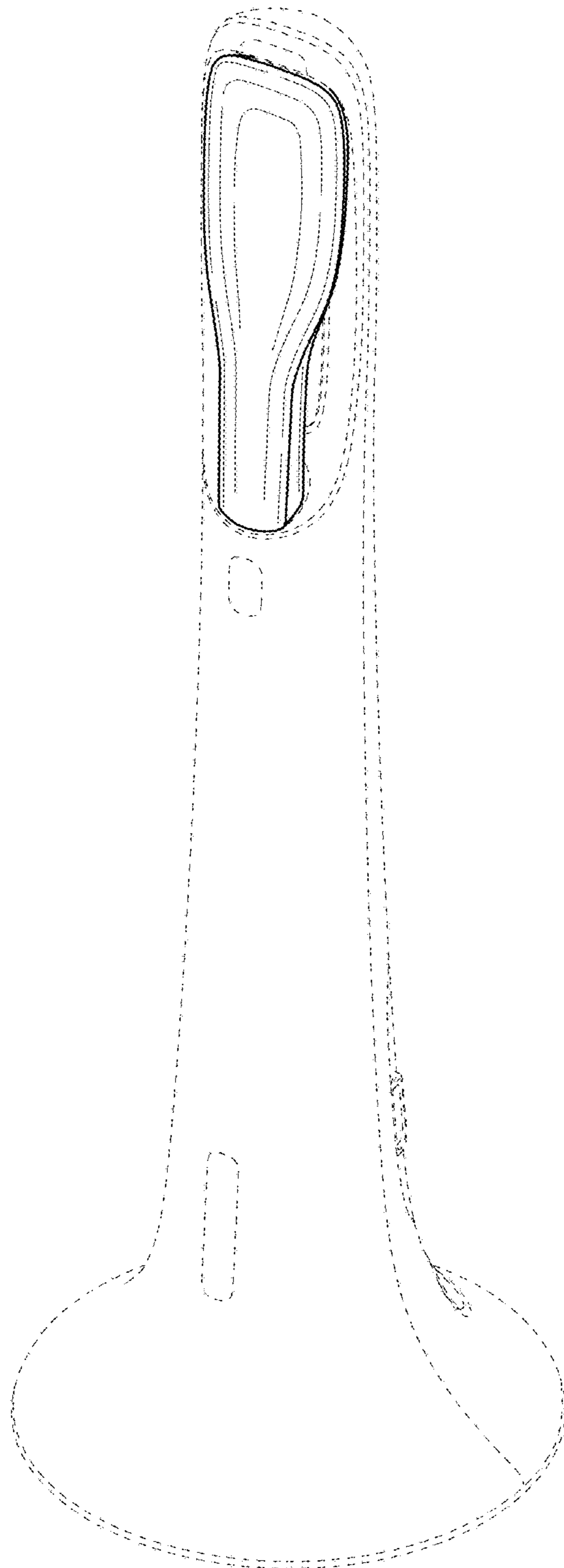


FIG.11

