

US00D809228S

(12) **United States Design Patent**
Lee et al.

(10) **Patent No.:** **US D809,228 S**
(45) **Date of Patent:** **** Jan. 30, 2018**

(54) **VACUUM CLEANER**

FOREIGN PATENT DOCUMENTS

(71) Applicant: **Samsung Electronics Co., Ltd.**,
Suwon-si (KR)

CN 201430235786 12/2014
EM 001312409 2/2012
KR 30-2003-0018478 12/2006

(72) Inventors: **Hwan-Dong Lee**, Cheonahn-Si (KR);
Young-Jin Kim, Gunpo-si (KR);
Yeon-Young Nam, Goyang-Si (KR)

OTHER PUBLICATIONS

(73) Assignee: **Samsung Electronics Co., Ltd.**,
Suwon-si (KR)

Hoover. "Hoover Presto 2-in-1 Cordless Stick Vacuum, BH20090".
[2011] www.amazon.com. <http://www.amazon.com/Hoover-Presto-Cordless-Vacuum-BH20090/dp/B005F5J71I/ref=sr_1_13?ie=UTF8&qid=1422845099&sr=8-13&keywords=Hoover+cordless>.
Electrolux. "Vacuum Cleaner ZB2933". [2015] www.electrolux.co.kr.
<http://www.electrolux.co.kr/%EC%B2%AD%EC%86%8C%EA%B8%B0%EB%AC%B-4%EC%84%A0_%EC%B2%AD%EC%86%8C%EA%B8%B0/ZB2933>.

(**) Term: **15 Years**

(21) Appl. No.: **29/547,221**

(22) Filed: **Dec. 2, 2015**

* cited by examiner

(30) **Foreign Application Priority Data**

Jun. 4, 2015 (KR) 30-2015-0028199

(51) **LOC (11) Cl.** **15-05**

(52) **U.S. Cl.**
USPC **D32/22**

(58) **Field of Classification Search**
USPC D32/17-18, 21-22, 31, 34
CPC A47L 5/24; A47L 5/28; A47L 5/34; A47L
5/362; A47L 5/36; A47L 11/34; A47L
9/325; A47L 9/20; A47L 9/02; A47L
9/32; A47L 9/322; A47L 9/327; A47L
7/0038

See application file for complete search history.

Primary Examiner — Ruth McInroy

(74) *Attorney, Agent, or Firm* — NSIP Law

(57) **CLAIM**

We claim the ornamental design for a vacuum cleaner, as shown and described.

DESCRIPTION

FIG. 1 is a front perspective view of a vacuum cleaner showing our new design;
FIG. 2 is a front view thereof;
FIG. 3 is a rear view thereof;
FIG. 4 is a left-side view thereof;
FIG. 5 is a right-side view thereof;
FIG. 6 is a top view thereof;
FIG. 7 is a bottom view thereof;
FIG. 8 is a rear perspective view thereof; and,
FIG. 9 is enlarged view of encircled portion in FIG. 3.
The details shown in broken lines form no part of the claimed design. The dot-dash broken lines in FIG. 3 indicate the enlarged portion in FIG. 9.

(56) **References Cited**

U.S. PATENT DOCUMENTS

D574,563 S * 8/2008 Fjellman D32/22
D613,469 S * 4/2010 Agren D32/22
D643,980 S * 8/2011 Kim D32/22
D664,314 S * 7/2012 Li D32/17
D672,516 S * 12/2012 Ediger D32/17
D728,176 S * 4/2015 Yu D32/22
2008/0282498 A1 * 11/2008 Luciano A47L 5/30
15/383

1 Claim, 9 Drawing Sheets

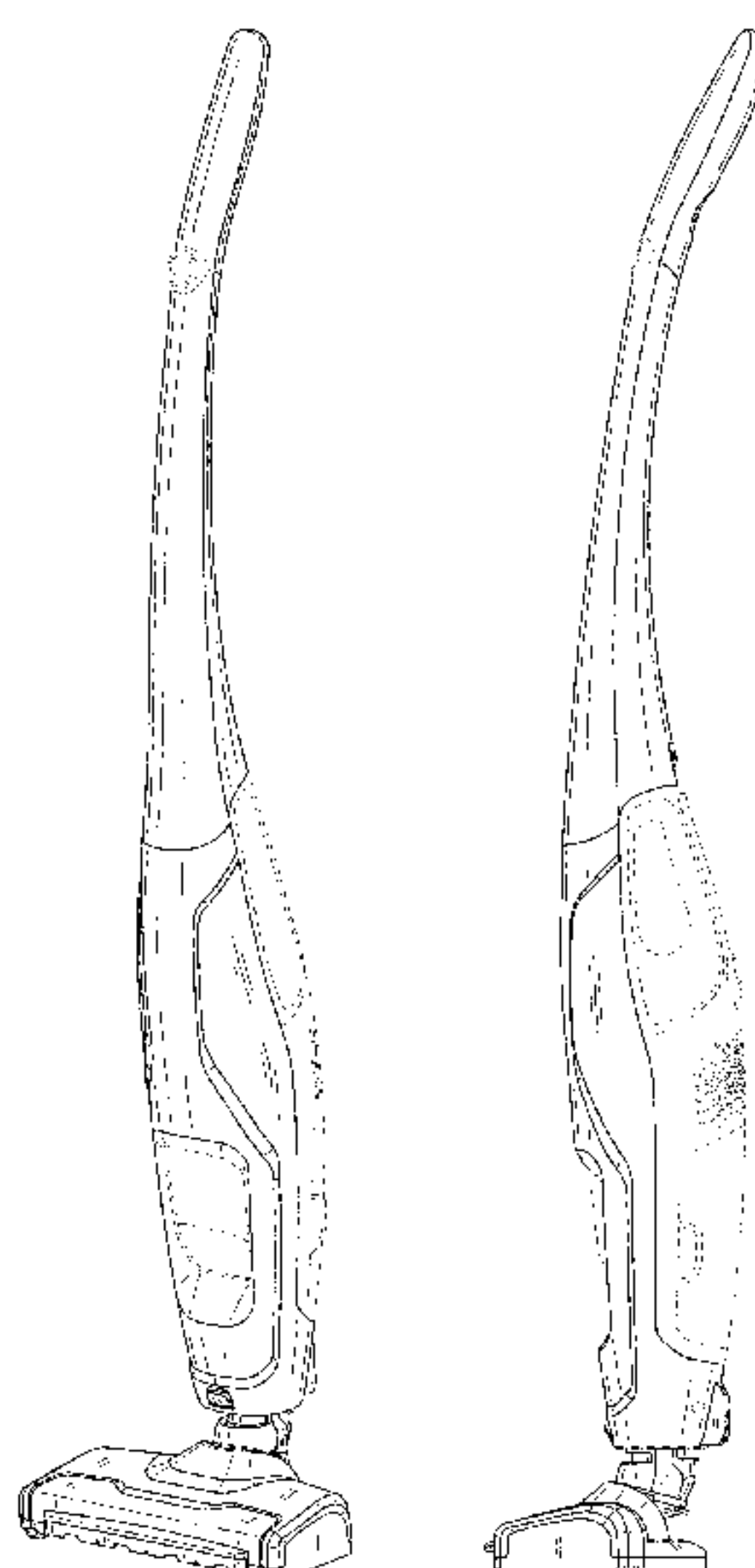


FIG. 1

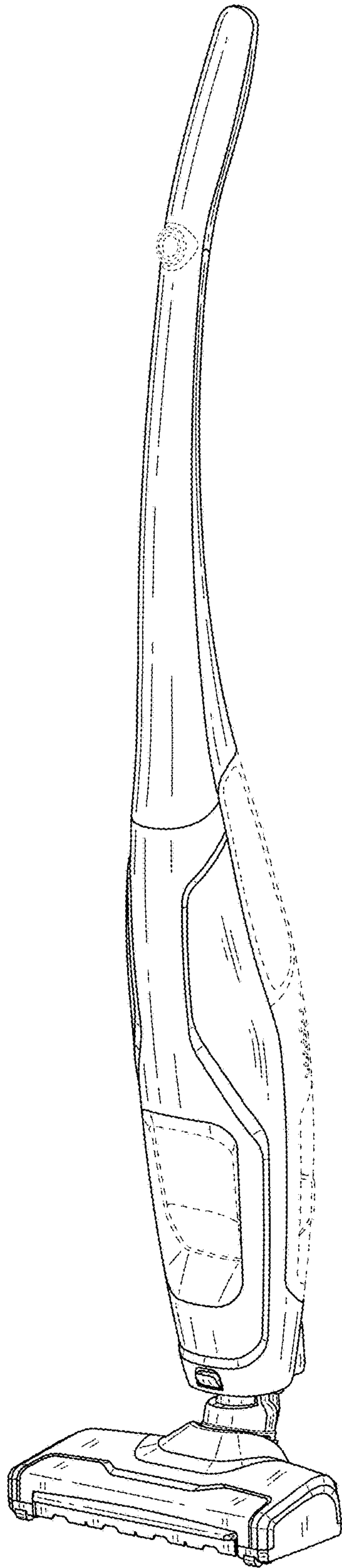


FIG. 2

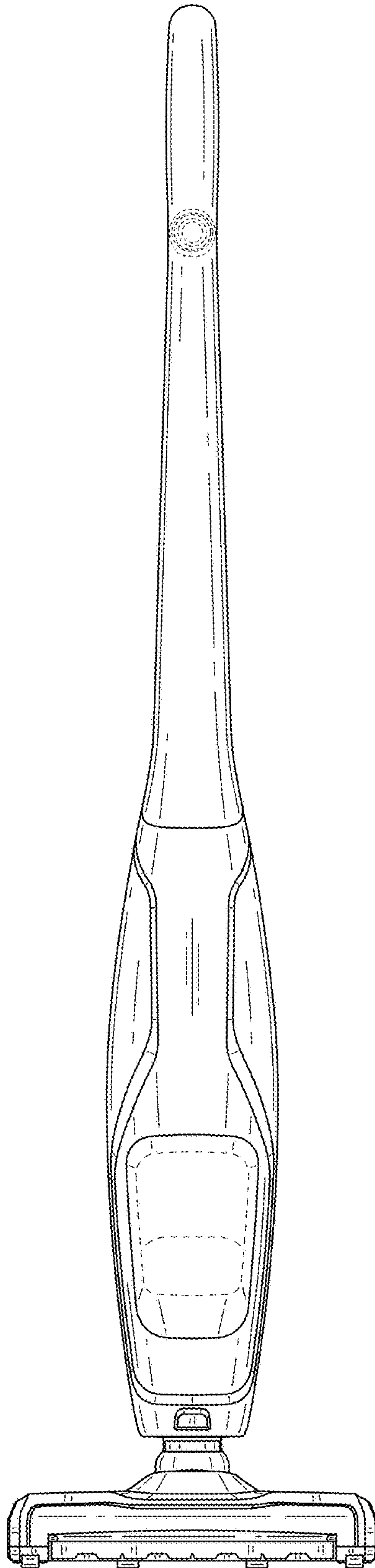


FIG. 3

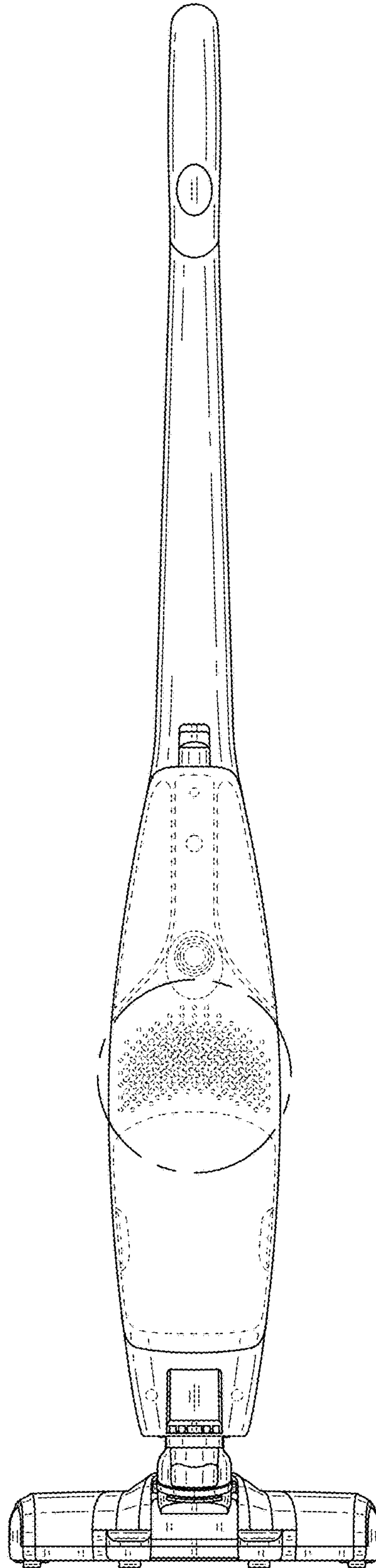


FIG. 4

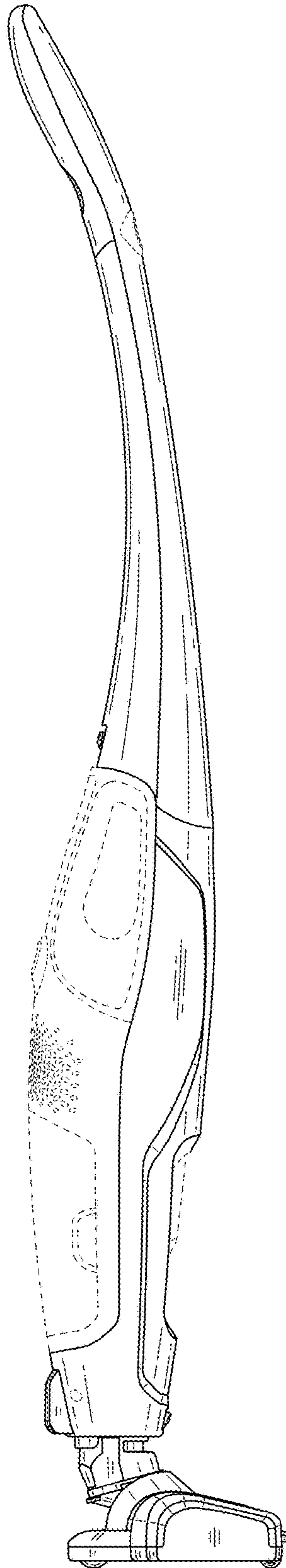


FIG. 5

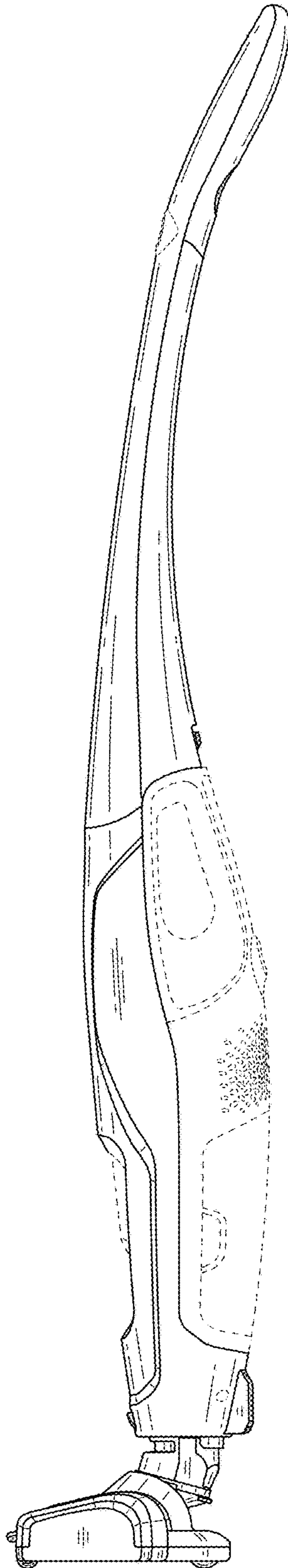


FIG. 6

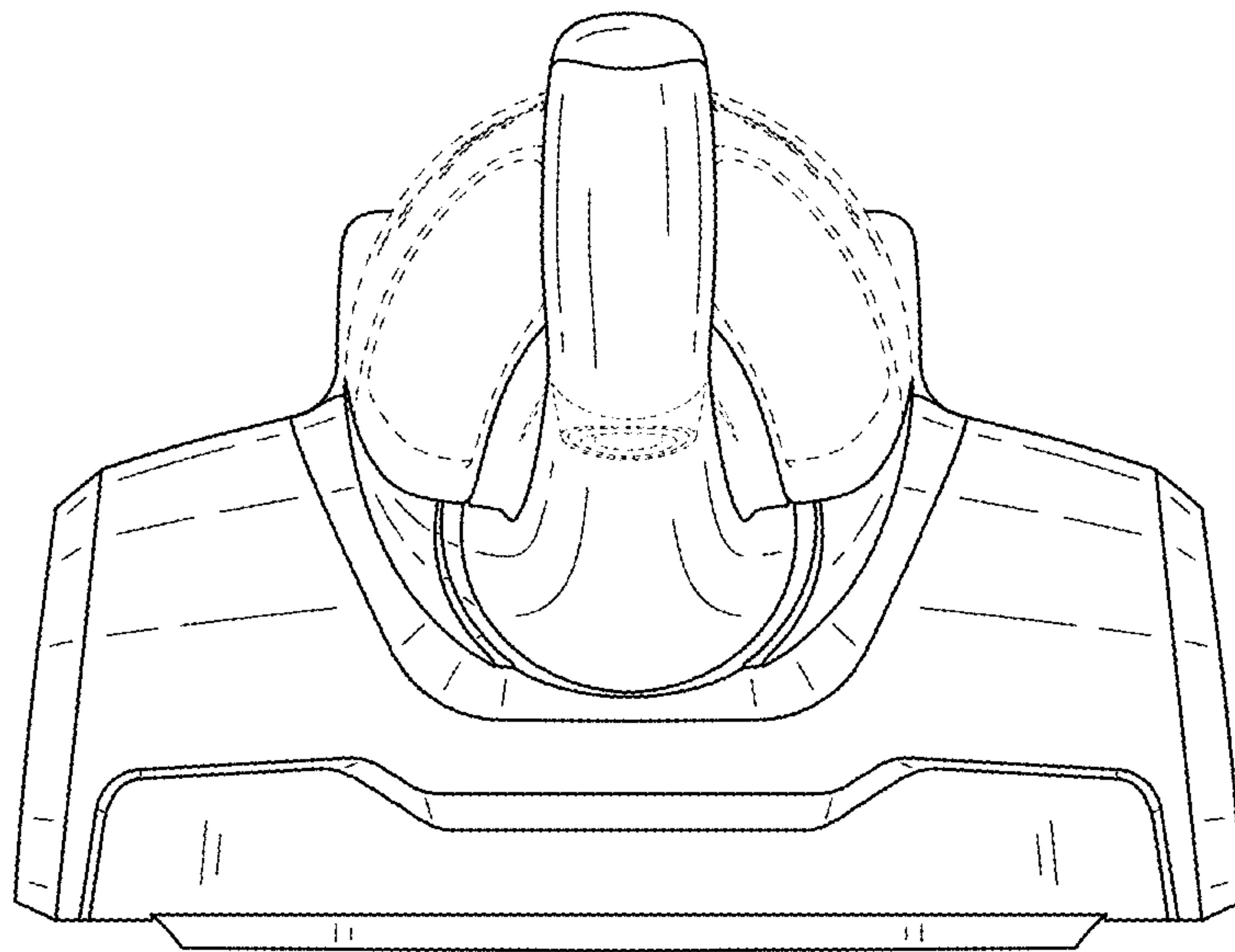


FIG. 7

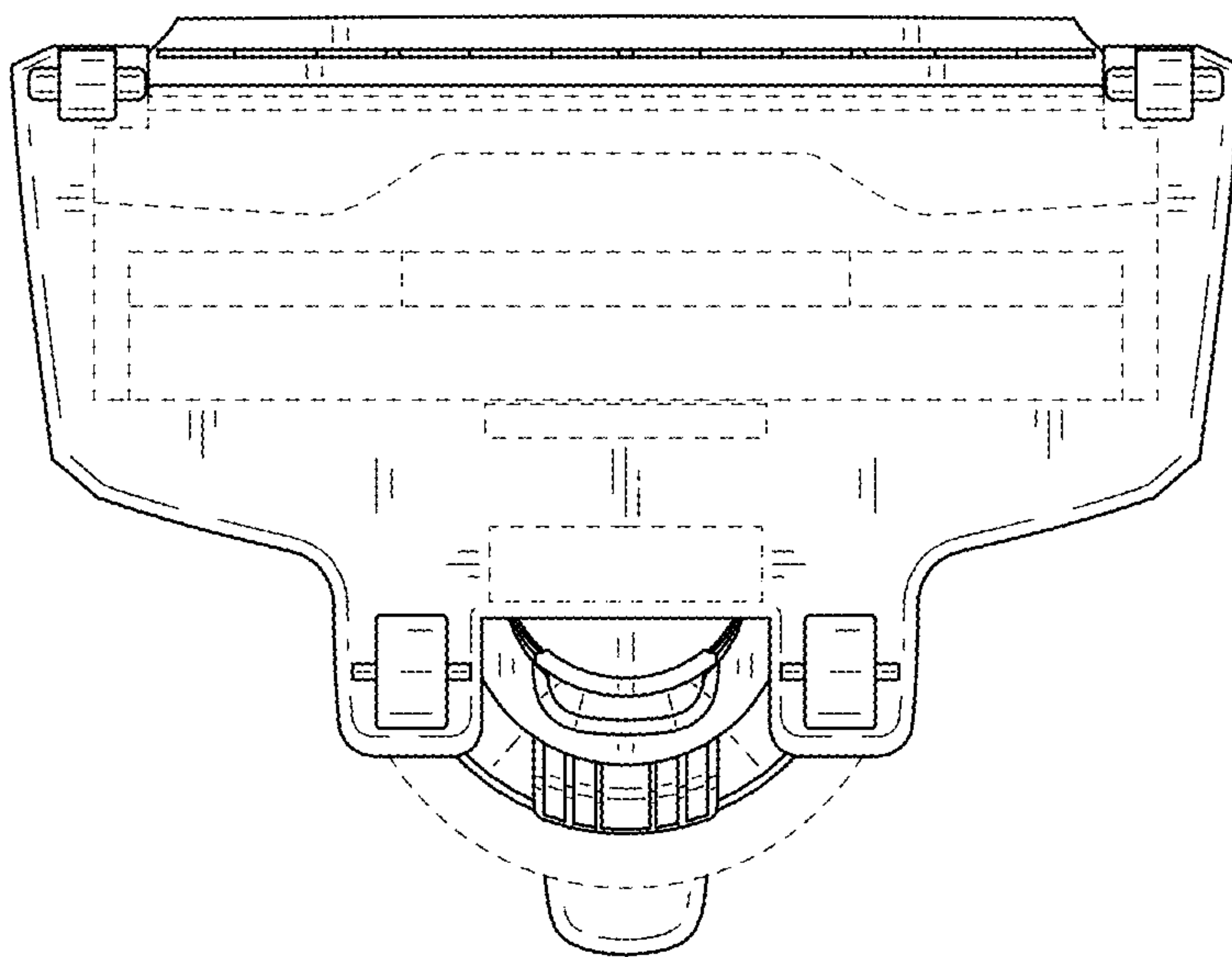


FIG. 8

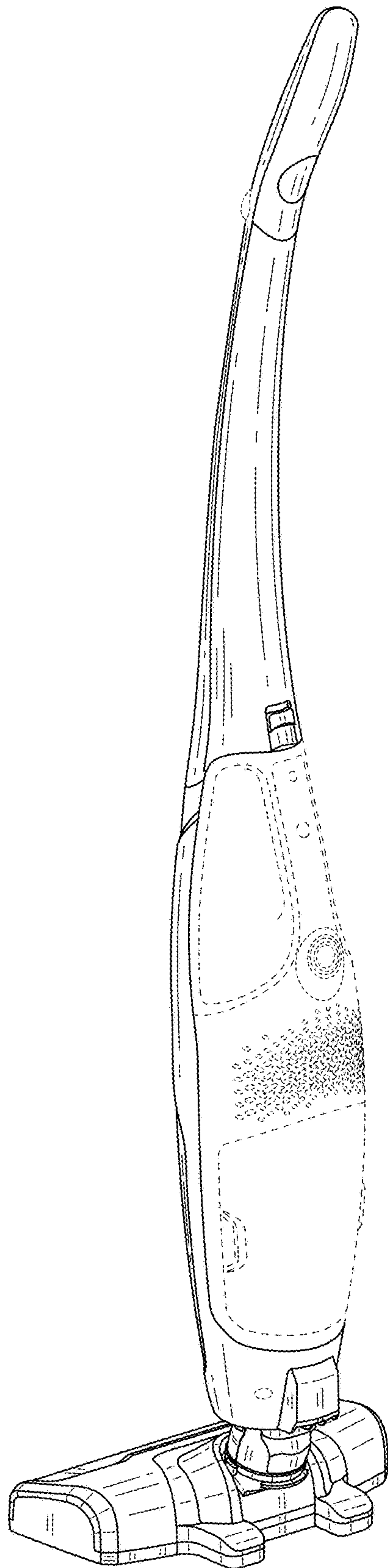


FIG. 9

