



US00D809226S

(12) **United States Design Patent**
Kim et al.

(10) **Patent No.:** **US D809,226 S**
(45) **Date of Patent:** **** Jan. 30, 2018**

(54) **WASHING MACHINE**

D761,502 S * 7/2016 Joo D32/6
D762,022 S * 7/2016 Lee D32/6
D762,023 S * 7/2016 Lee D32/6

(71) Applicant: **Samsung Electronics Co., Ltd.**,
Suwon-si (KR)

(Continued)

(72) Inventors: **Kangdo Kim**, Seoul (KR); **Sanghun Yoon**, Seoul (KR); **Myunggyu Kim**, Seoul (KR)

FOREIGN PATENT DOCUMENTS

CN 201530065669 10/2015
CN 201530296000 12/2015
CN 201530284060 1/2016

(73) Assignee: **Samsung Electronics Co., Ltd.**,
Suwon-si (KR)

OTHER PUBLICATIONS

(**) Term: **15 Years**

SMEG Washing Machine posted by Ann Porter posted date Jul. 11, 2010, © WordPress, [online], [site visited Sep. 26, 2017]. Available from Internet, <https://annporter.wordpress.com/2010/07/11/smeg-retro-appliances/>.*

(21) Appl. No.: **29/587,085**

(Continued)

(22) Filed: **Dec. 9, 2016**

(30) **Foreign Application Priority Data**

Primary Examiner — Cynthia Ramirez

Jun. 10, 2016 (KR) 30-2016-0028129

Assistant Examiner — Laura Yu

(51) **LOC (11) Cl.** **15-05**

(74) *Attorney, Agent, or Firm* — NSIP Law

(52) **U.S. Cl.**
USPC **D32/6; D32/25**

(57) **CLAIM**

(58) **Field of Classification Search**
USPC D32/29.1, 29, 28, 6, 25, 8, 1, 5, 10;
312/288; 248/638, 673

We claim the ornamental design for a washing machine, as shown and described.

CPC D06F 39/045; D06F 25/00; D06F 39/022;
D06F 33/02; D06F 2204/065; D06F 35/006;
D06F 39/12; D06F 39/00; D06F 49/06;
D06F 37/26; D06F 37/20; D06F 31/00;
A47L 15/4418; F16M 9/00

DESCRIPTION

See application file for complete search history.

FIG. 1 is a front perspective view of a washing machine showing our new design;

FIG. 2 is a front view thereof;

FIG. 3 is a rear view thereof;

FIG. 4 is a left-side view thereof;

FIG. 5 is a right-side view thereof;

FIG. 6 is a top view thereof; and,

FIG. 7 is a bottom view thereof.

The broken lines in the figures depict environmental subject matter and form no part of the claimed design.

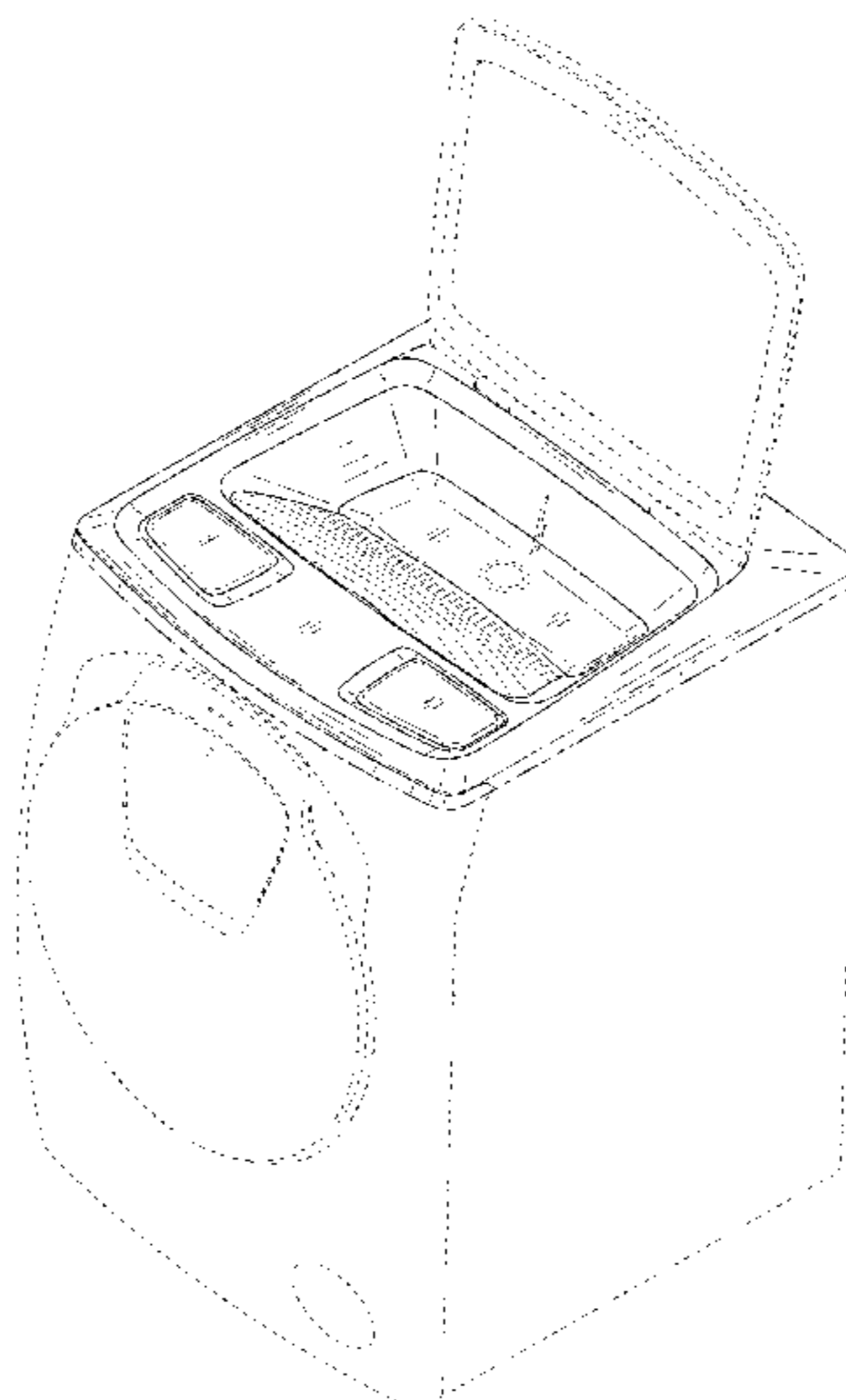
The dot-dash broken lines in the figures illustrate a boundary of the claimed design and form no part of the claimed design.

(56) **References Cited**

U.S. PATENT DOCUMENTS

D237,448 S * 11/1975 Sunday D32/67
D313,679 S * 1/1991 Sakamoto D32/6
D541,491 S * 4/2007 Jun D32/6
D599,509 S * 9/2009 Jeon D32/6
D732,762 S * 6/2015 Joo D32/6
D744,177 S * 11/2015 Jung D32/6

1 Claim, 7 Drawing Sheets



(56)

References Cited

U.S. PATENT DOCUMENTS

D762,024 S * 7/2016 Lee D32/6
D781,005 S * 3/2017 Jang D32/6
D781,006 S * 3/2017 Jang D32/6

OTHER PUBLICATIONS

Laundry Sink posted by Ukinox posted date May 21, 2014, © Amazon, [online], [site visited Sep. 26, 2017]. Available from Internet, https://www.amazon.com/Ukinox-D610-457-Modern-Stainless-Laundry/dp/B00KGYVRK2/ref=sr_1_4?ie=UTF8&qid=1506543931&sr=8-4

&keywords=laundry+sink+with+washboard.*

“It invented the washing machine again! One body, two twin washing machine LG TROMM” [2016] www.lge.co.kr Sep. 22, 2016 <<http://www.lge.co.kr/lgekor/product/household-appliances/washing-machine/productDetail.do?cateId=5600&prdId=EPRD.295352>>.

* cited by examiner

FIG. 1

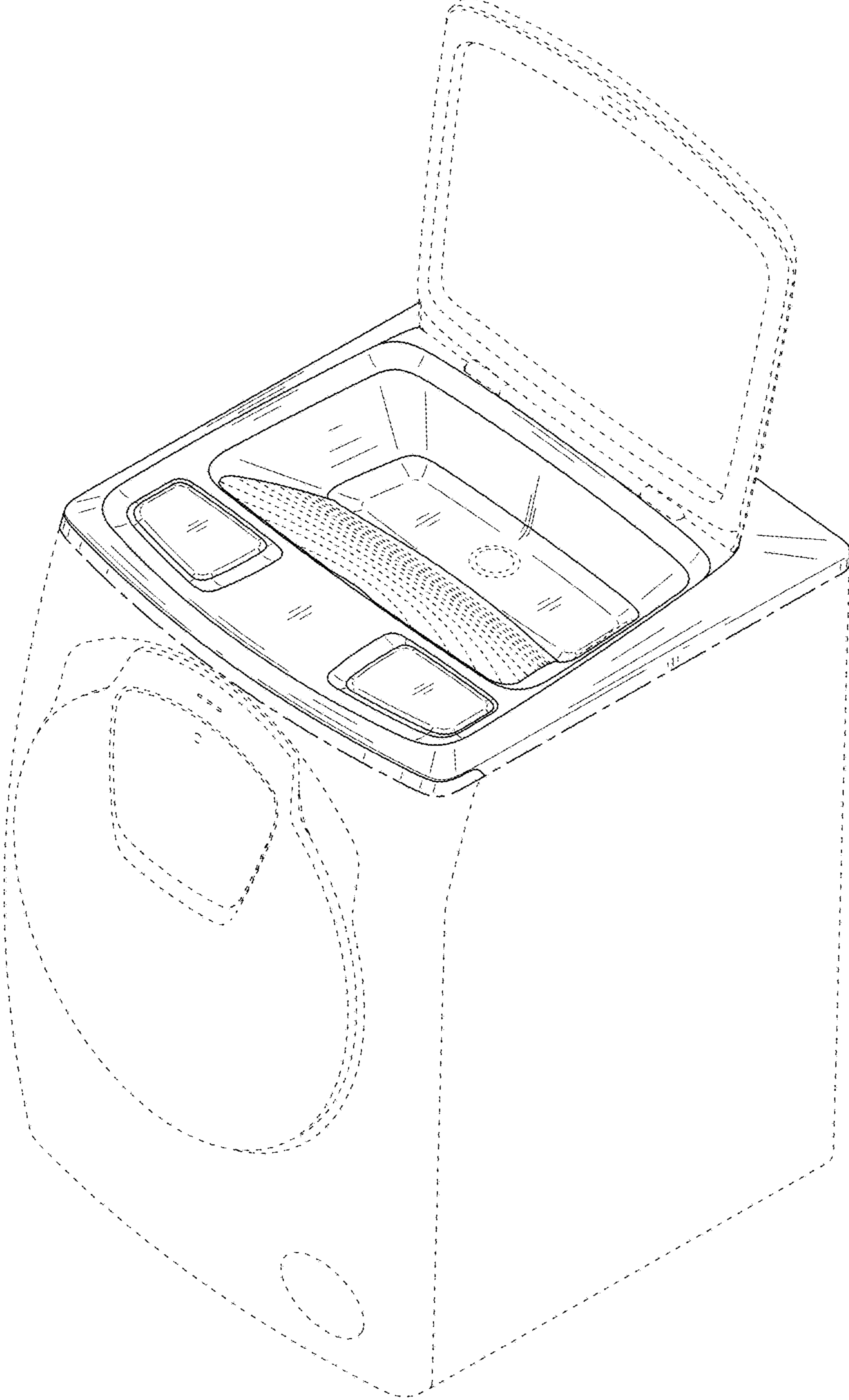


FIG. 2

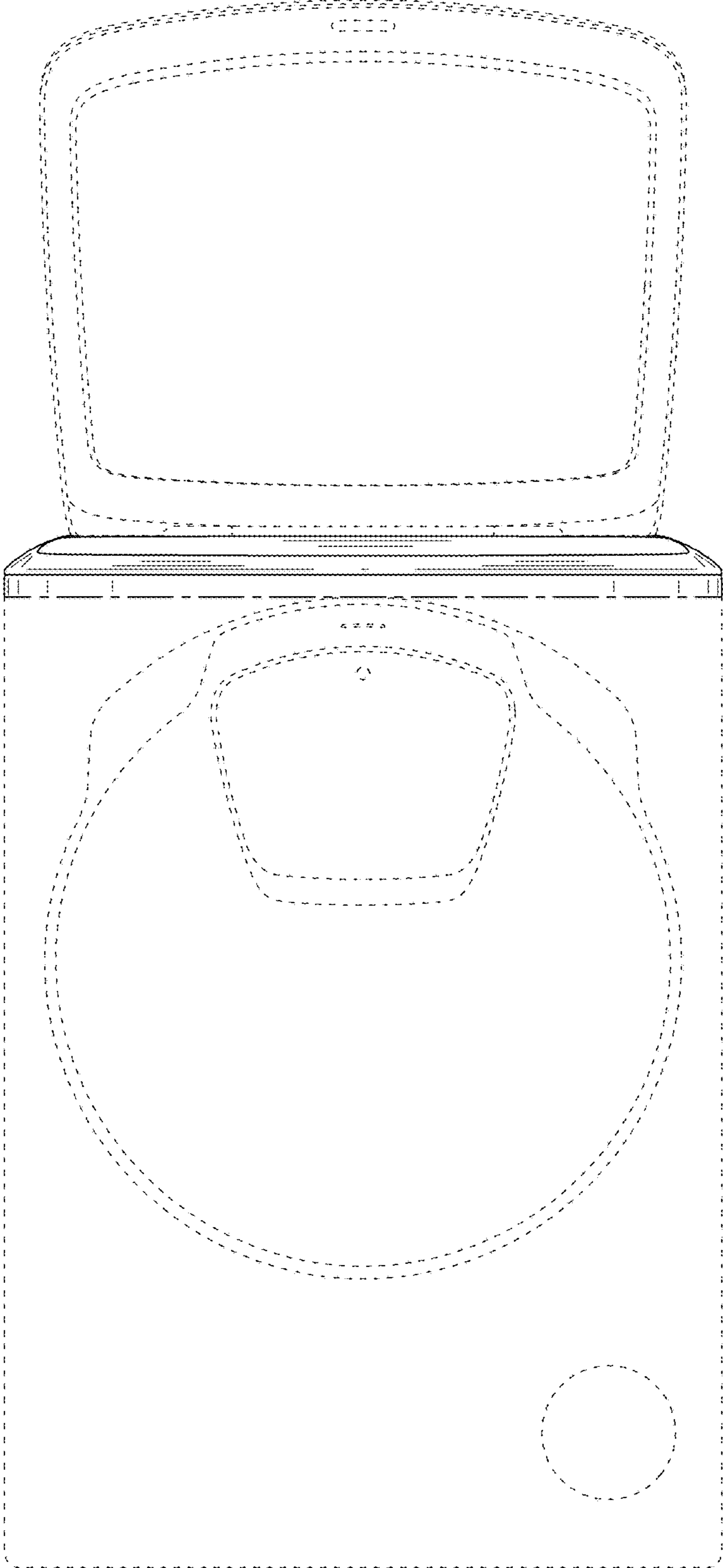


FIG. 3

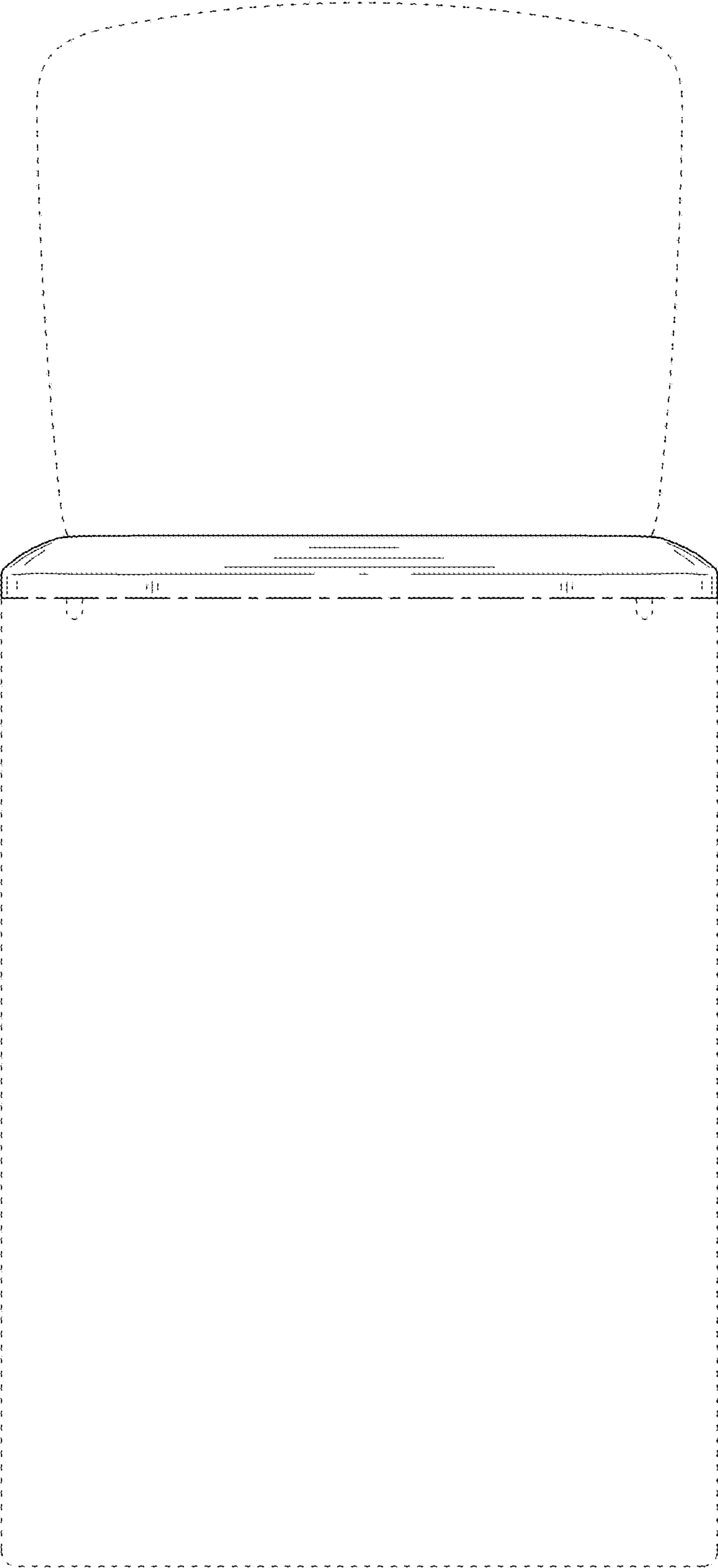


FIG. 4

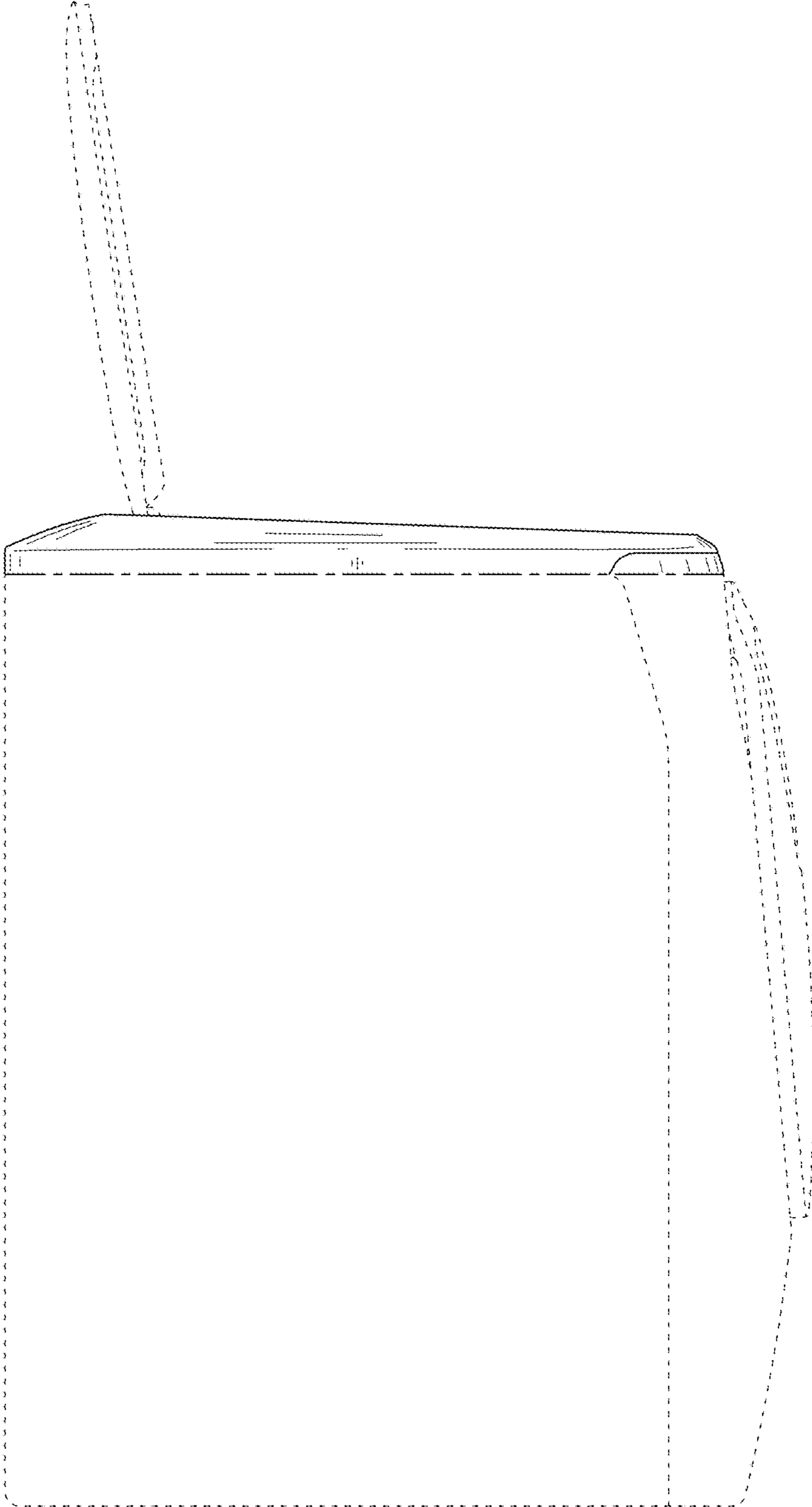


FIG. 5

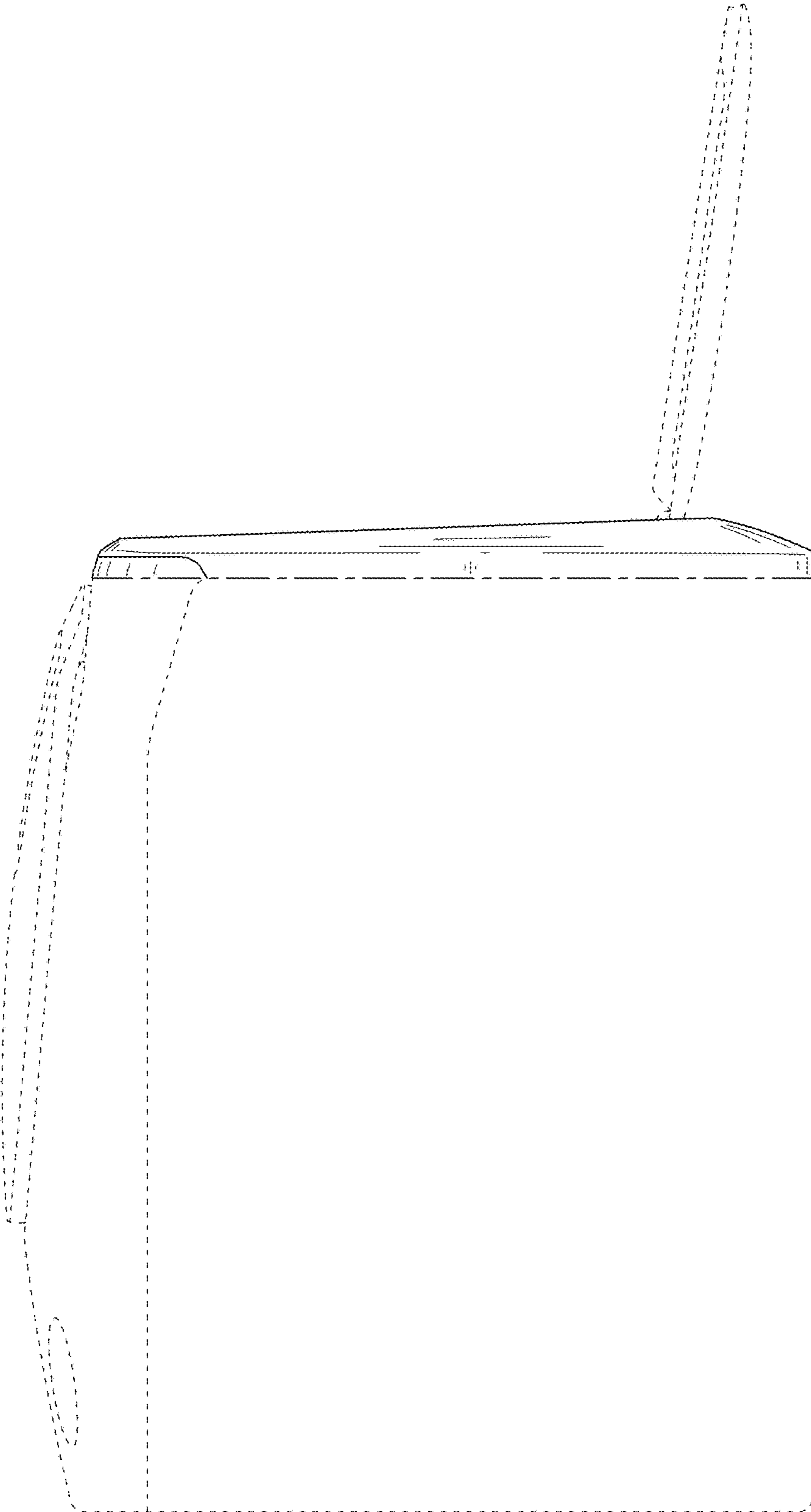


FIG. 6

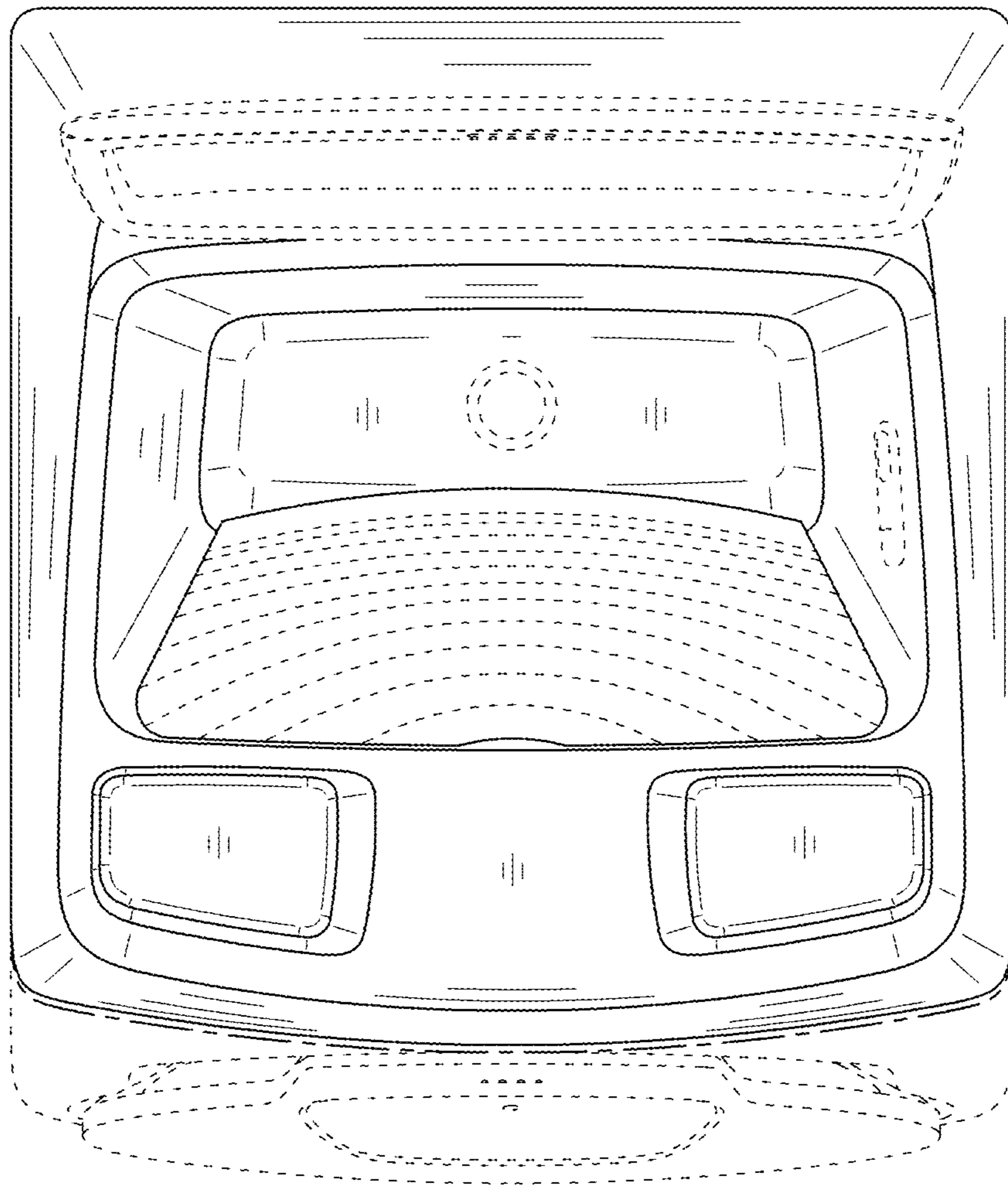


FIG. 7

