



US00D809223S

(12) **United States Design Patent**
Kim et al.

(10) **Patent No.:** **US D809,223 S**
(45) **Date of Patent:** **** Jan. 30, 2018**

(54) **DRUM WASHING MACHINE**
(71) Applicant: **Samsung Electronics Co., Ltd.**,
Suwon-si (KR)
(72) Inventors: **Kangdoon Kim**, Seoul (KR);
Sung-Kyung Lee, Seoul (KR);
Sanghun Yoon, Seoul (KR)
(73) Assignee: **Samsung Electronics Co., Ltd.**,
Suwon-si (KR)

D791,419 S * 7/2017 Kim D32/6
D792,663 S * 7/2017 Kim D32/6
D793,013 S * 7/2017 Kang D32/6
D794,266 S * 8/2017 Yoon D32/6
D794,267 S * 8/2017 Kang D32/6

FOREIGN PATENT DOCUMENTS

CN 201430168601 11/2014
CN 201530284060 1/2016
CN 303596925 * 2/2016

(Continued)

(**) Term: **15 Years**

OTHER PUBLICATIONS

(21) Appl. No.: **29/586,352**
(22) Filed: **Dec. 2, 2016**

Samsung Washing Machine posted by CNET posted date Jan. 5,
2016, © YouTube, [online], [site visited Sep. 12, 2017]. Available
from Internet, [https://www.youtube.com/
watch?v=9EORO3KiRjM](https://www.youtube.com/watch?v=9EORO3KiRjM).*

(Continued)

(30) **Foreign Application Priority Data**

Jun. 3, 2016 (KR) 30-2016-0027138

(51) **LOC (11) Cl.** **15-05**
(52) **U.S. Cl.**
USPC **D32/6**

Primary Examiner — Cynthia Ramirez

Assistant Examiner — Laura Yu

(74) *Attorney, Agent, or Firm* — NSIP Law

(58) **Field of Classification Search**
USPC D32/29.1, 29, 28, 6, 25, 8, 1, 5, 10;
312/288; 248/638, 673
CPC D06F 39/045; D06F 25/00; D06F 39/022;
D06F 33/02; D06F 2204/065; D06F
35/006; D06F 39/12; D06F 39/00; D06F
49/06; D06F 37/26; D06F 37/20; D06F
31/00; A47L 15/4418; F16M 9/00
See application file for complete search history.

(57) **CLAIM**

We claim the ornamental design for a drum washing
machine, as shown and described.

DESCRIPTION

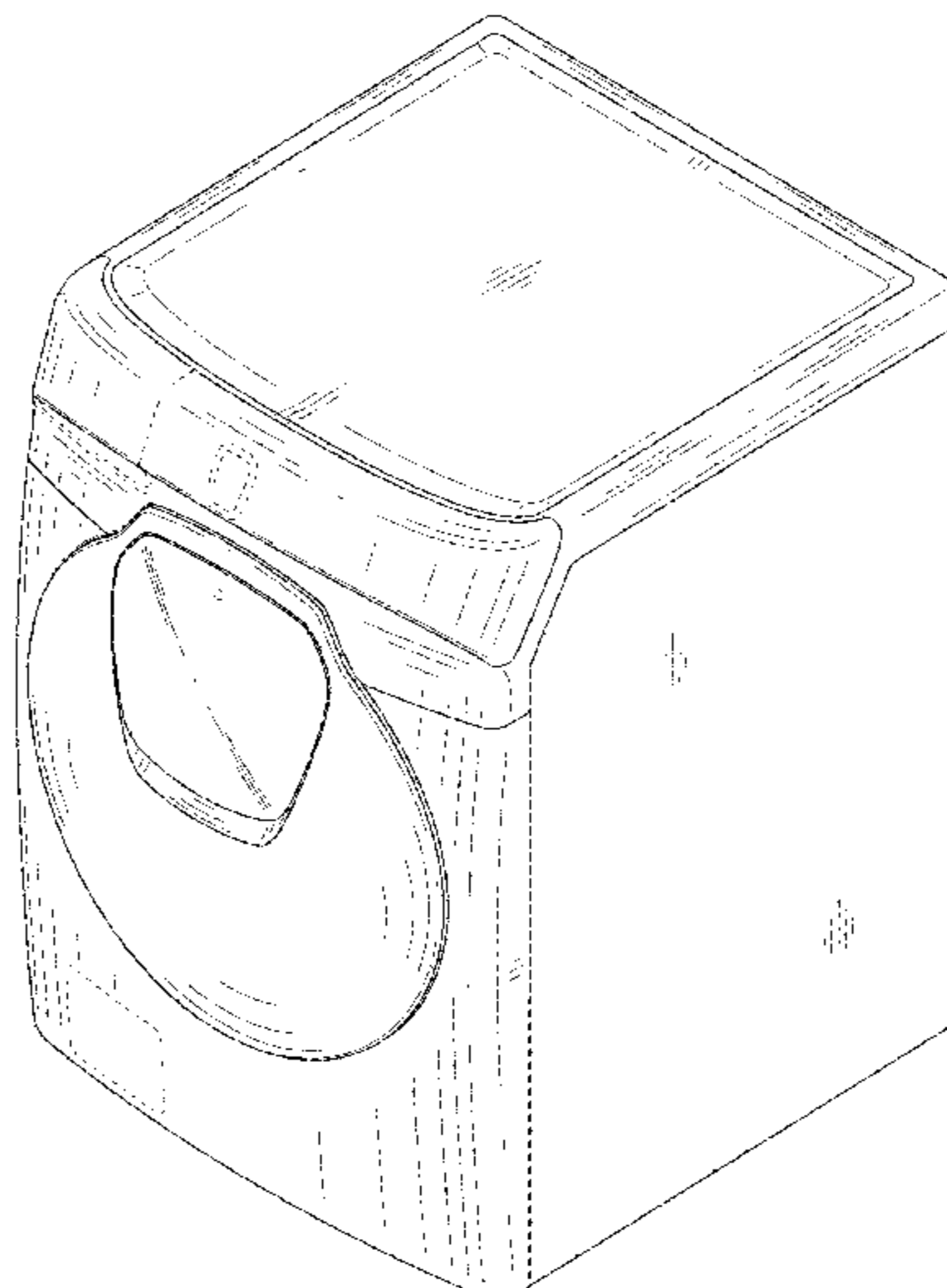
FIG. 1 is a front perspective view of a drum washing
machine showing our new design;
FIG. 2 is a front view thereof;
FIG. 3 is a rear view thereof;
FIG. 4 is a left-side view thereof;
FIG. 5 is a right-side view thereof;
FIG. 6 is a top view thereof; and,
FIG. 7 is a bottom view thereof.
The broken lines in the figures depict environmental subject
matter and form no part of the claimed design.

(56) **References Cited**

U.S. PATENT DOCUMENTS

D770,705 S * 11/2016 Kang D32/6
D772,499 S * 11/2016 Yoon D32/6
D773,754 S * 12/2016 Choi D32/6
D774,714 S * 12/2016 Kang D32/6
D785,256 S * 4/2017 Yoon D32/25
D785,882 S * 5/2017 Kim D32/25

1 Claim, 7 Drawing Sheets



(56)

References Cited

FOREIGN PATENT DOCUMENTS

CN	303635088	*	4/2016
JP	D1160797		12/2002
JP	D 1230179		2/2005
JP	D1424953		10/2011

OTHER PUBLICATIONS

Samsung Washing Machine posted by Appliances Online Australia posted date Aug. 3, 2016, © YouTube, [online], [site visited Sep. 12, 2017]. Available from Internet, <https://www.youtube.com/watch?v=3bErlgz06Fs>.*

Samsung Add Wash posted by Review.com posted date Jan. 8, 2016, © YouTube, [online], [site visited Sep. 12, 2017]. Available from Internet, <https://www.youtube.com/watch?v=qQalwyHBbws>.*

* cited by examiner

FIG. 1

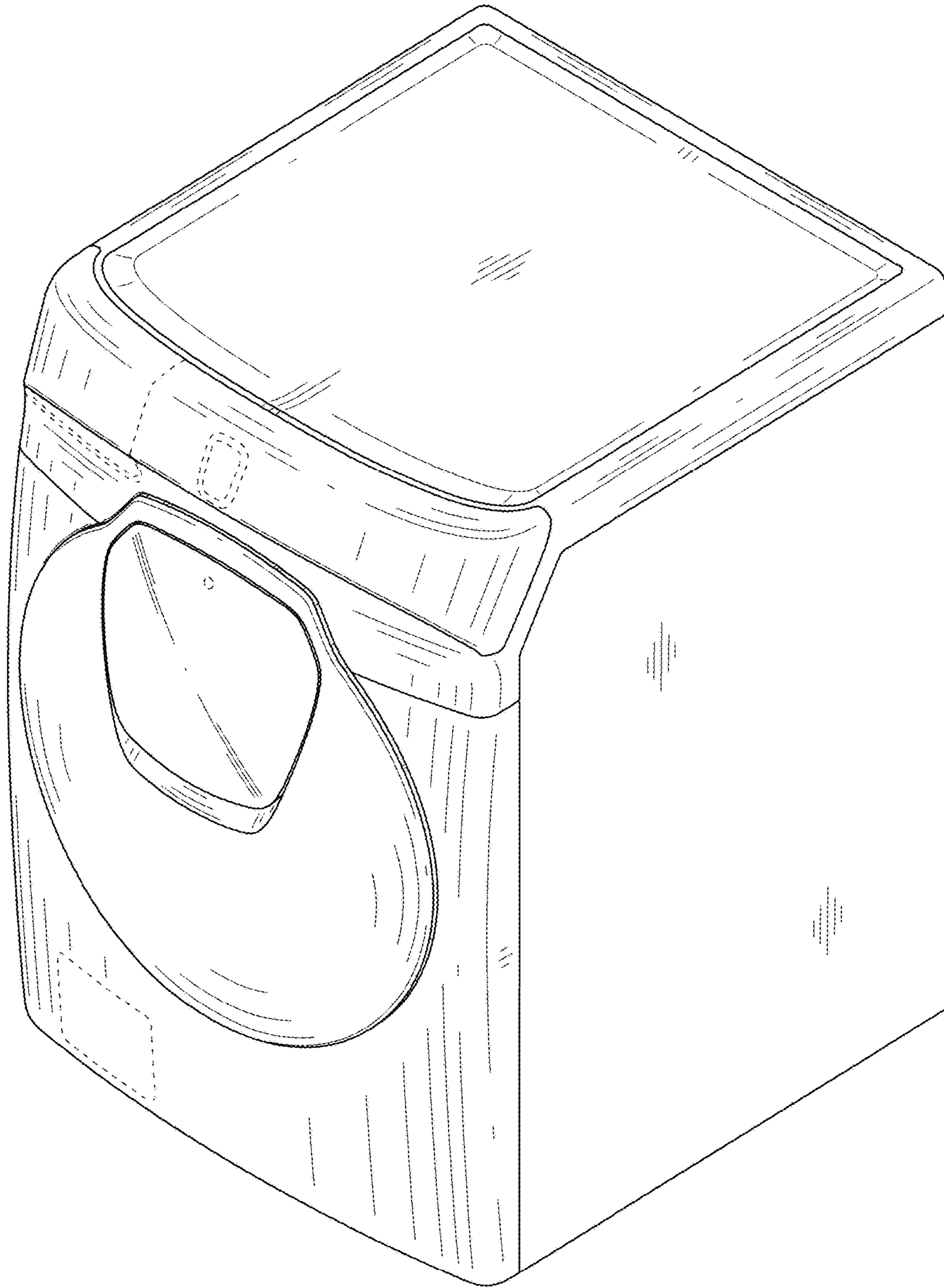


FIG. 2

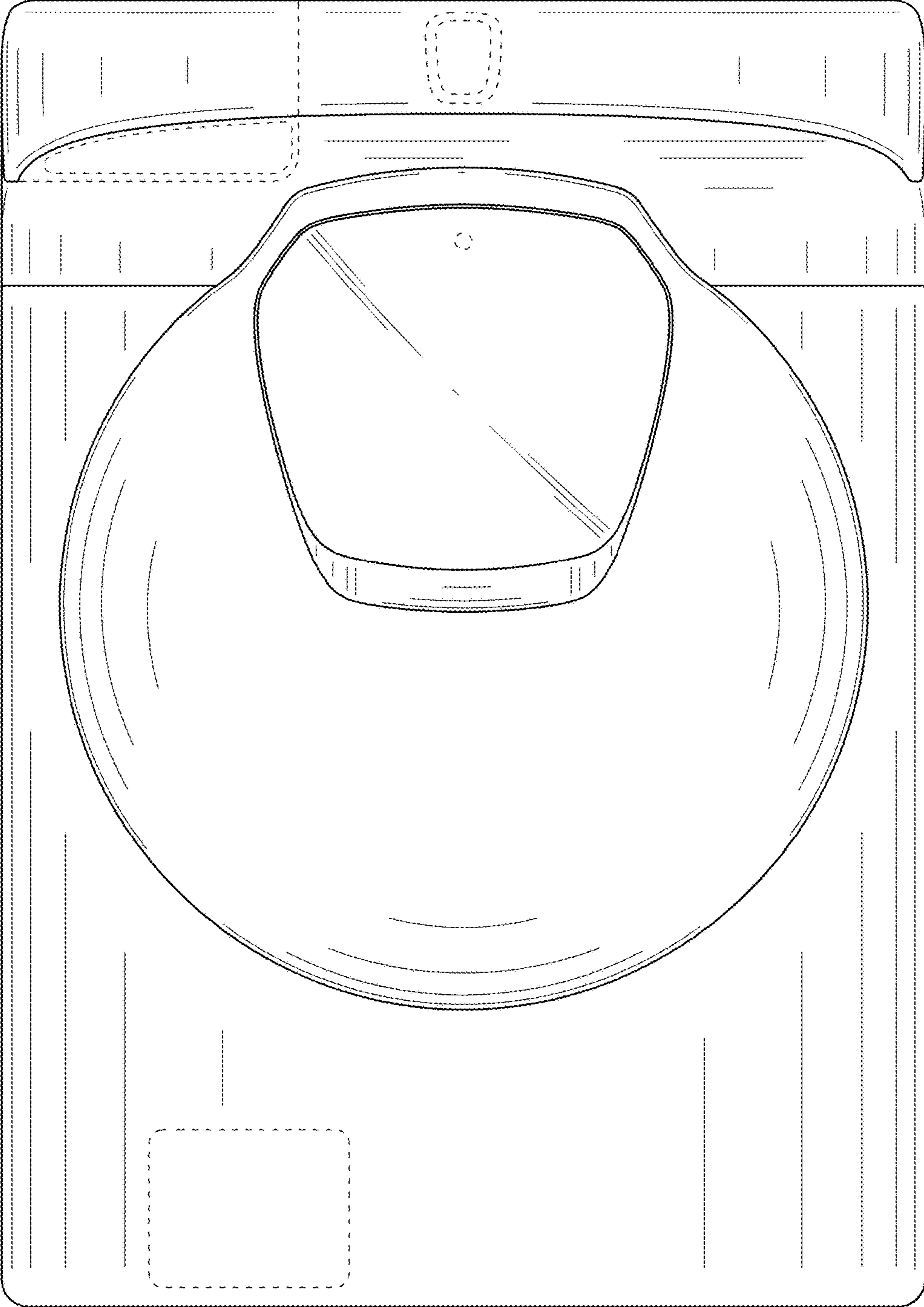


FIG. 3

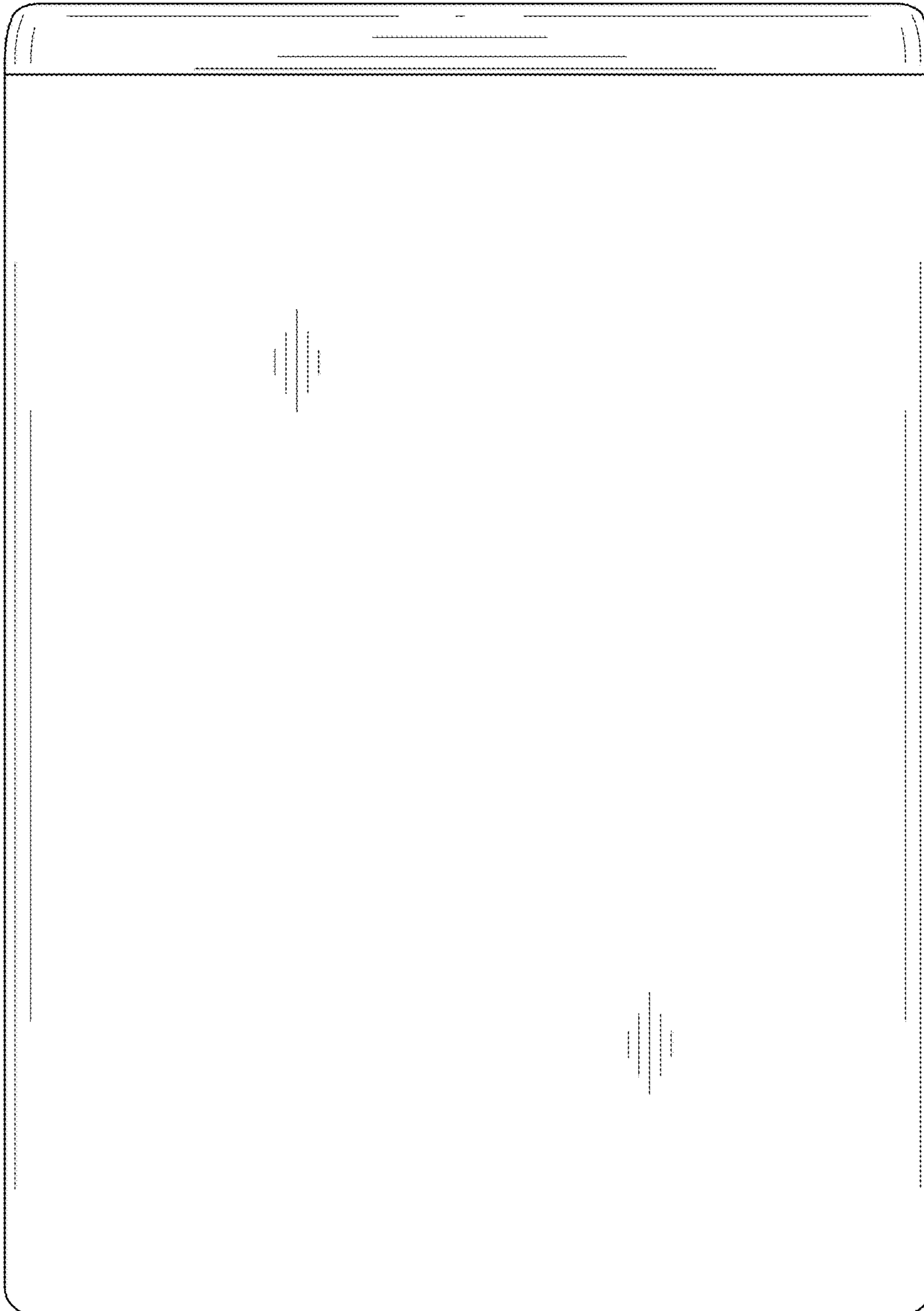


FIG. 4

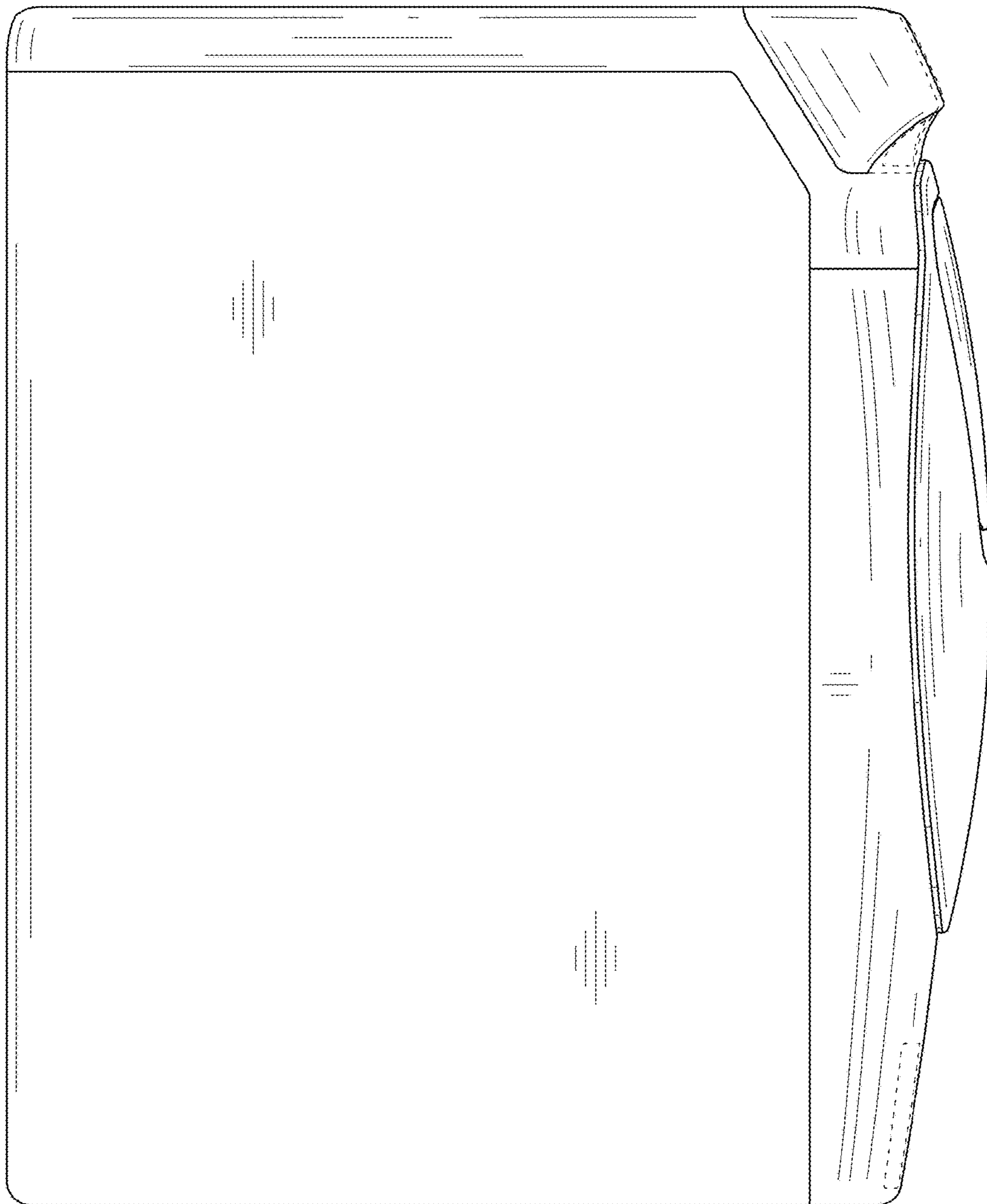


FIG. 5

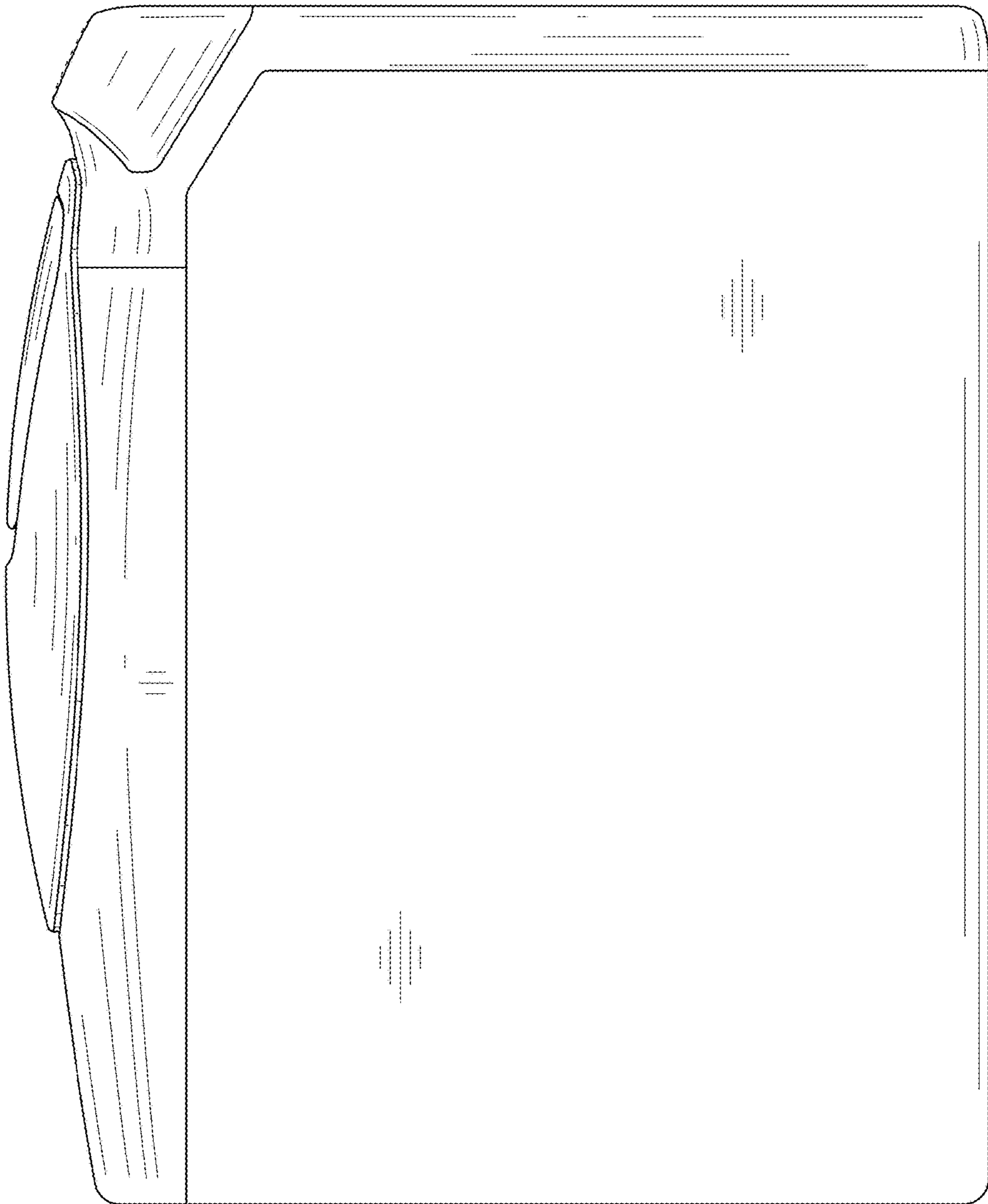


FIG. 6

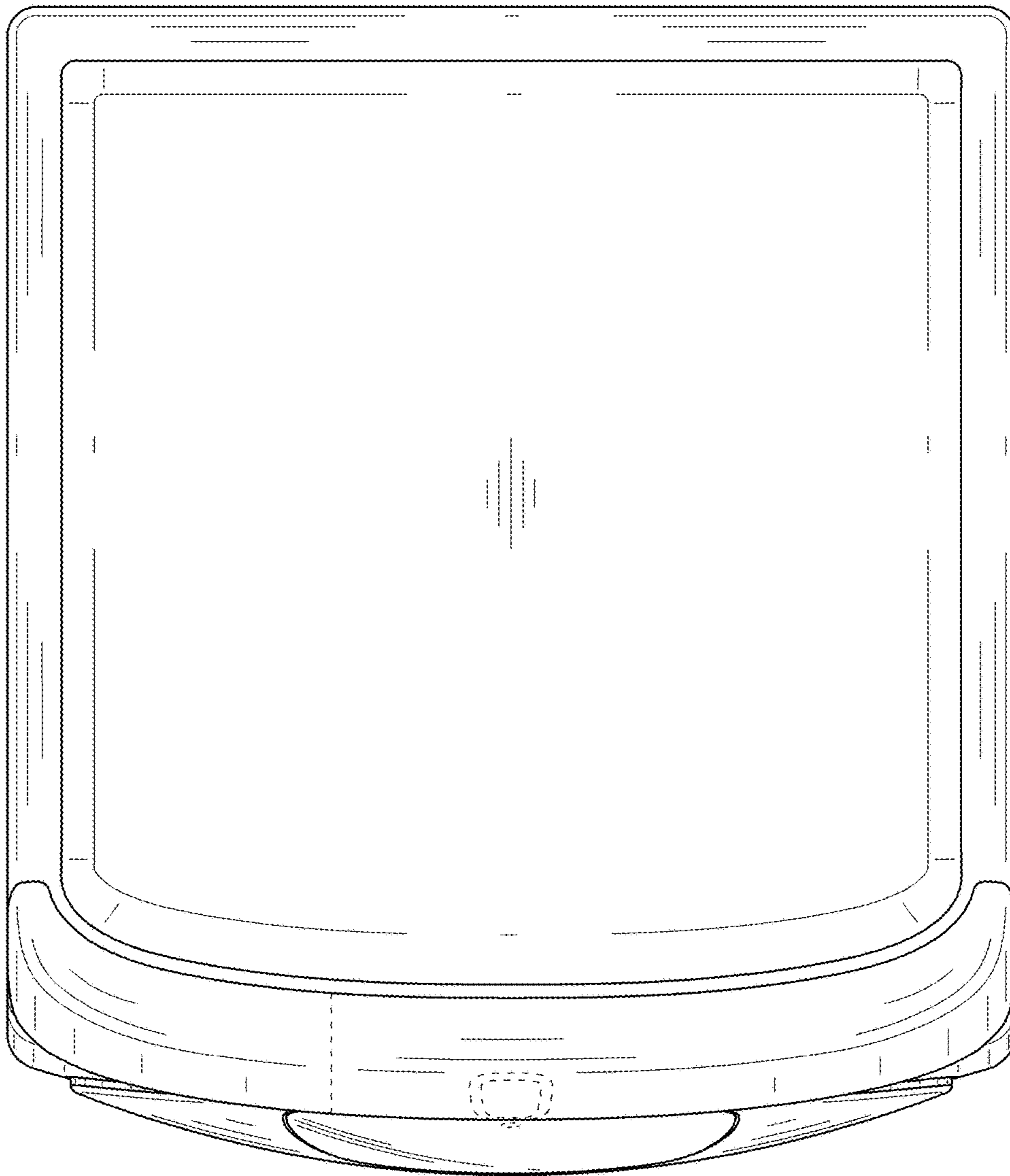


FIG. 7

