



US00D809222S

(12) **United States Design Patent** (10) **Patent No.:** **US D809,222 S**
Kim et al. (45) **Date of Patent:** **** Jan. 30, 2018**

(54) **WASHING MACHINE** D762,023 S * 7/2016 Lee D32/6
D762,024 S * 7/2016 Lee D32/6
(71) Applicant: **Samsung Electronics Co., Ltd.,** D776,373 S * 1/2017 Joo D32/6
Suwon-si (KR) D794,879 S * 8/2017 Kang D32/6

(72) Inventors: **Kangdo Kim, Seoul (KR); Yeonsu Kim, Seoul (KR); Sanghun Yoon, Seoul (KR); Jiyeun Yoon, Seoul (KR); Sung-kyung Lee, Seoul (KR); Myunggyu Kim, Seoul (KR)**

FOREIGN PATENT DOCUMENTS

CN 201530284060 1/2015
CN 201530065669 10/2015
CN 201530284060 1/2016

(73) Assignee: **Samsung Electronics Co., Ltd.,**
Suwon-si (KR)

OTHER PUBLICATIONS

Active Wash posted by SPSN posted date Jul. 11, 2016 © YouTube, [online], [site visited Sep. 26, 2017]. Available from Internet, <https://www.youtube.com/watch?v=tkOjBobgq6U&t=14s>.*

(**) Term: **15 Years**

* cited by examiner

(21) Appl. No.: **29/586,348**

Primary Examiner — Cynthia Ramirez
Assistant Examiner — Laura Yu

(22) Filed: **Dec. 2, 2016**

(74) *Attorney, Agent, or Firm* — NSIP Law

(30) **Foreign Application Priority Data**

Jun. 3, 2016 (KR) 30-2016-0027139

(51) **LOC (11) Cl.** **15-05**

(52) **U.S. Cl.**
USPC **D32/6; D32/25**

(58) **Field of Classification Search**
USPC D32/29.1, 29, 28, 6, 25, 8, 1, 5, 10;
312/288; 248/638, 673
CPC D06F 39/045; D06F 25/00; D06F 39/022;
D06F 33/02; D06F 2204/065; D06F
35/006; D06F 39/12; D06F 39/00; D06F
49/06; D06F 37/26; D06F 37/20; D06F
31/00; A47L 15/4418; F16M 9/00
See application file for complete search history.

(57) **CLAIM**

We claim the ornamental design for a washing machine, as shown and described.

DESCRIPTION

FIG. 1 is a front perspective view of a washing machine showing our new design;
FIG. 2 is a front view thereof;
FIG. 3 is a rear view thereof;
FIG. 4 is a left-side view thereof;
FIG. 5 is a right-side view thereof;
FIG. 6 is a top view thereof; and,
FIG. 7 is a bottom view thereof.
The broken lines in the figures depict environmental subject matter and form no part of the claimed design.
The dot-dash broken lines in the figures illustrate a boundary of the claimed design and form no part of the claimed design.

(56) **References Cited**

U.S. PATENT DOCUMENTS

D422,387 S * 4/2000 Mutoh D32/6
D633,261 S * 2/2011 Song D32/6

1 Claim, 7 Drawing Sheets

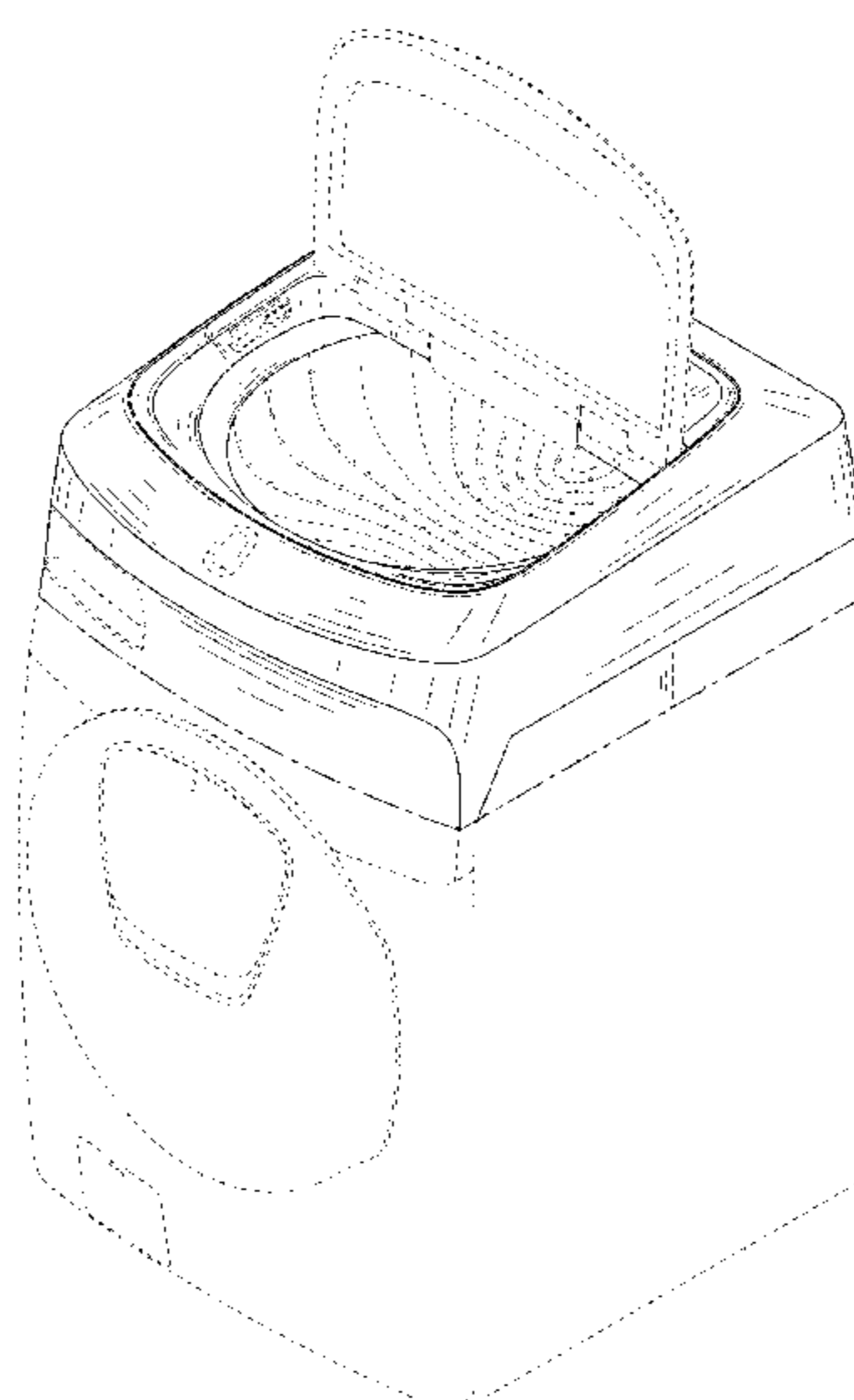


FIG. 1

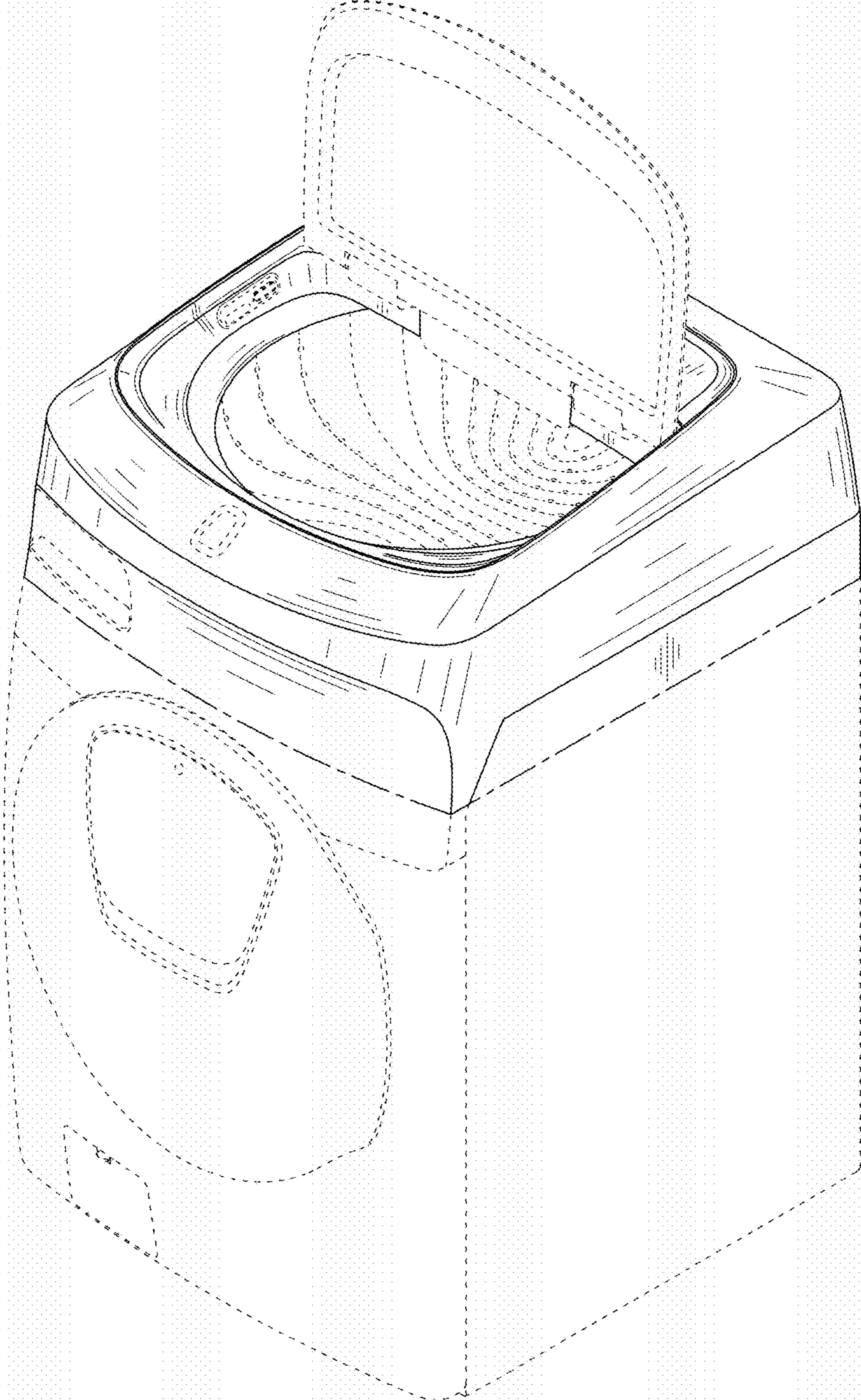


FIG. 2

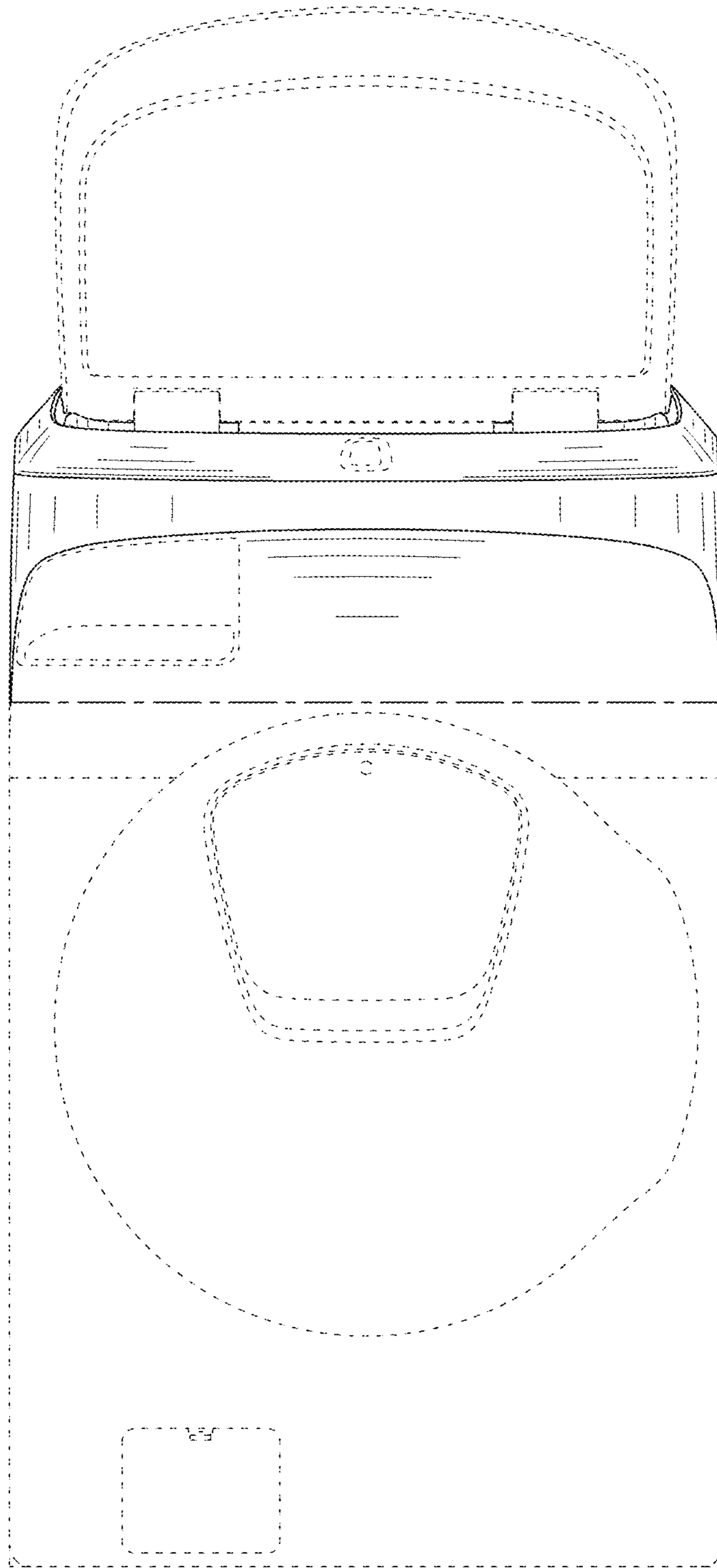


FIG. 3

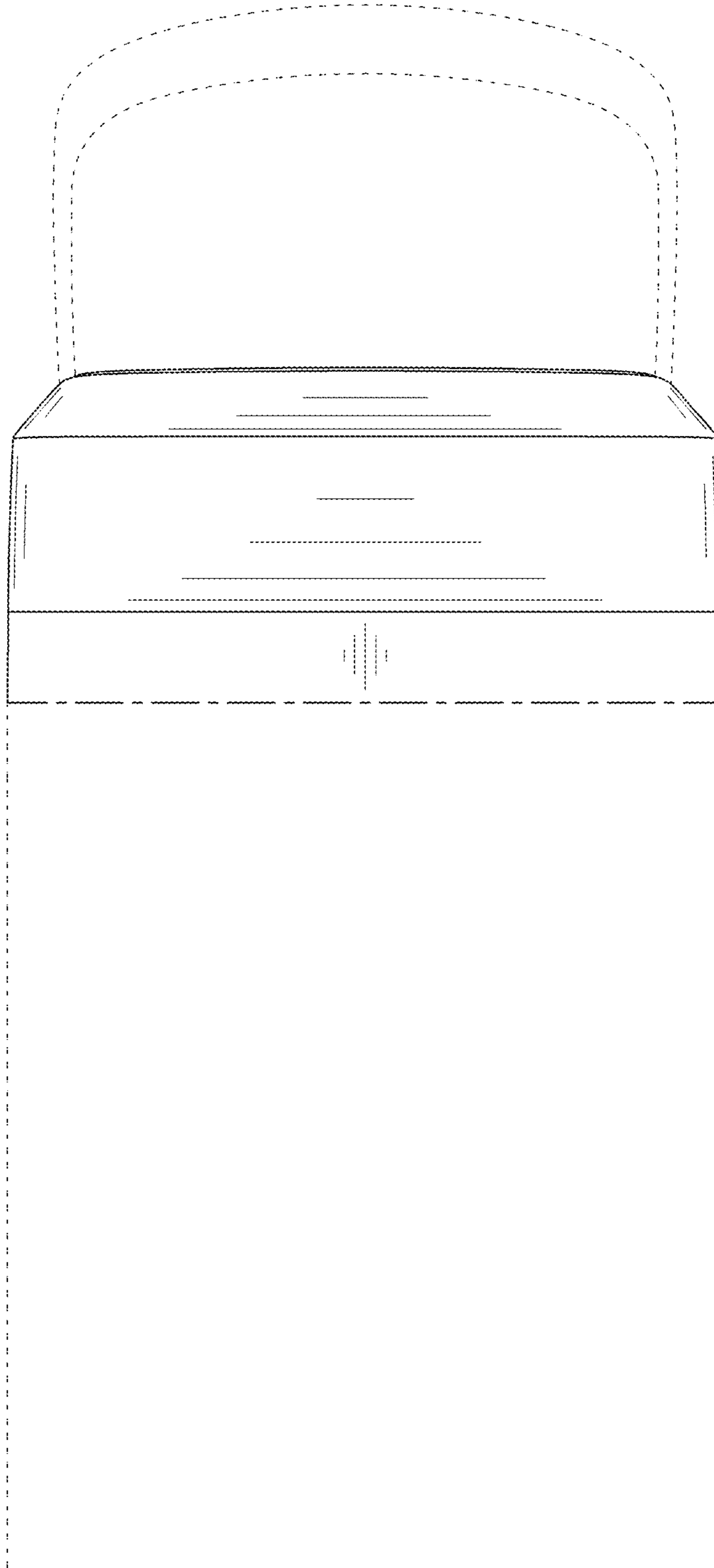


FIG. 4

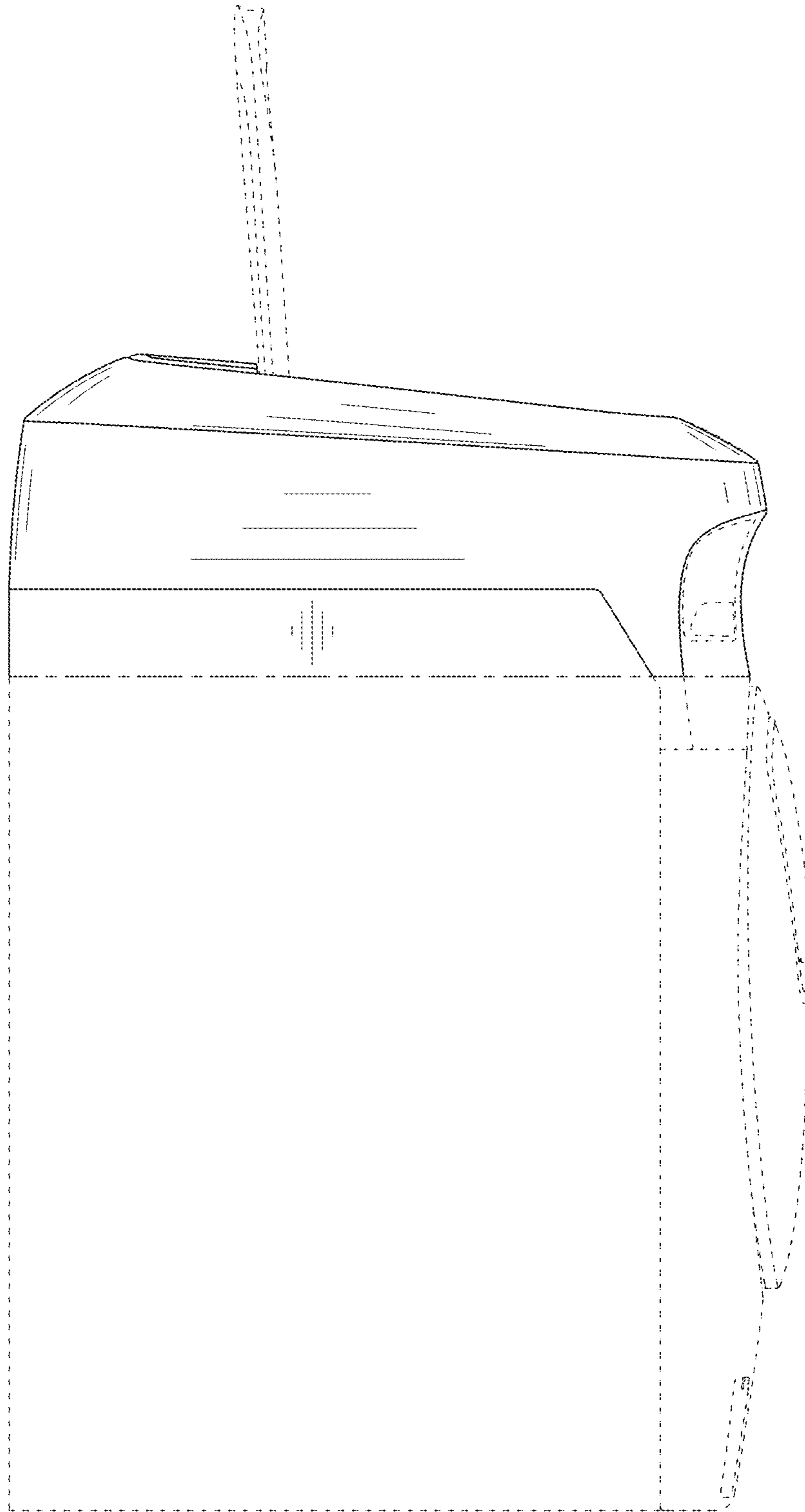


FIG. 5

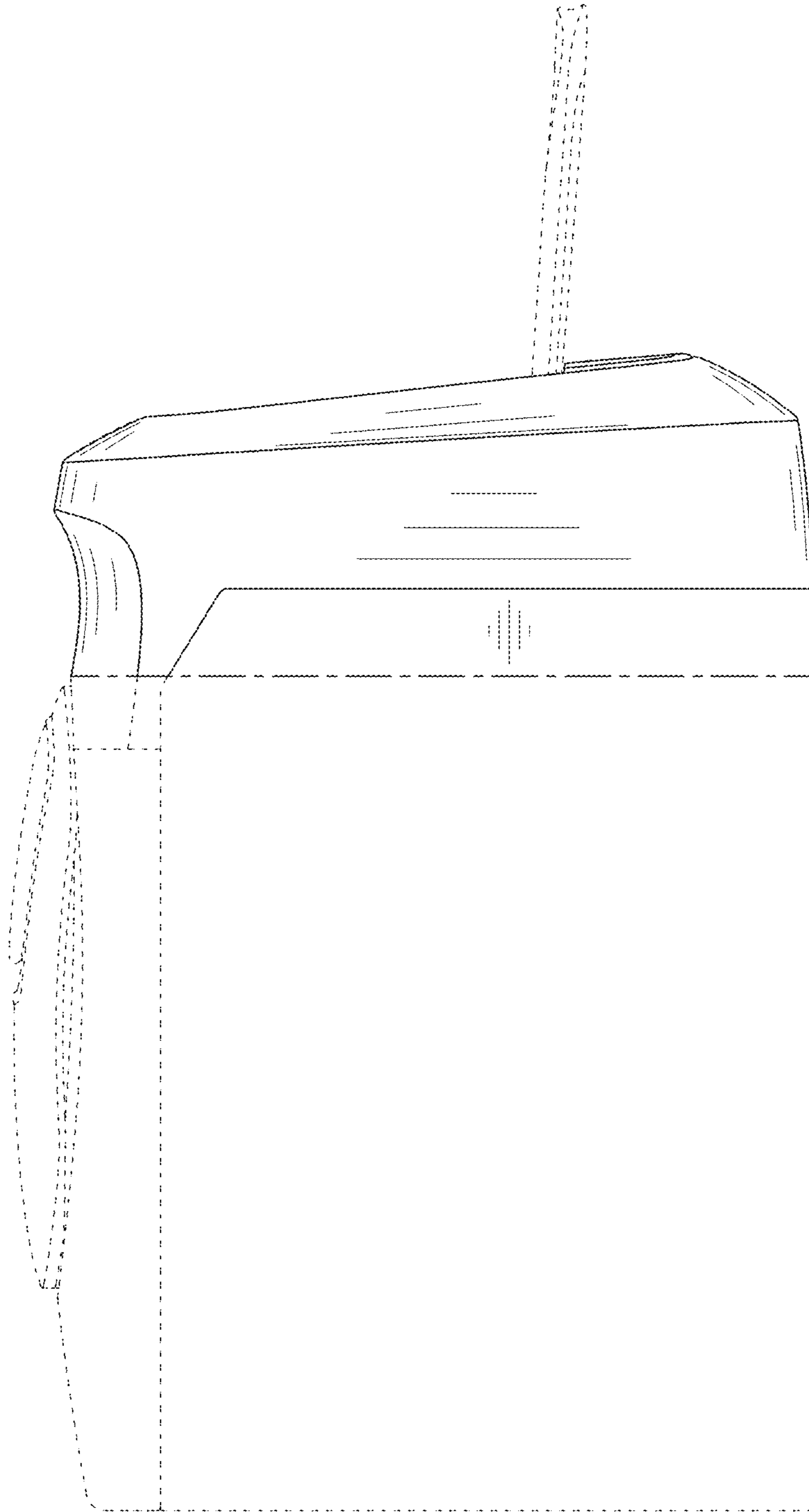


FIG. 6

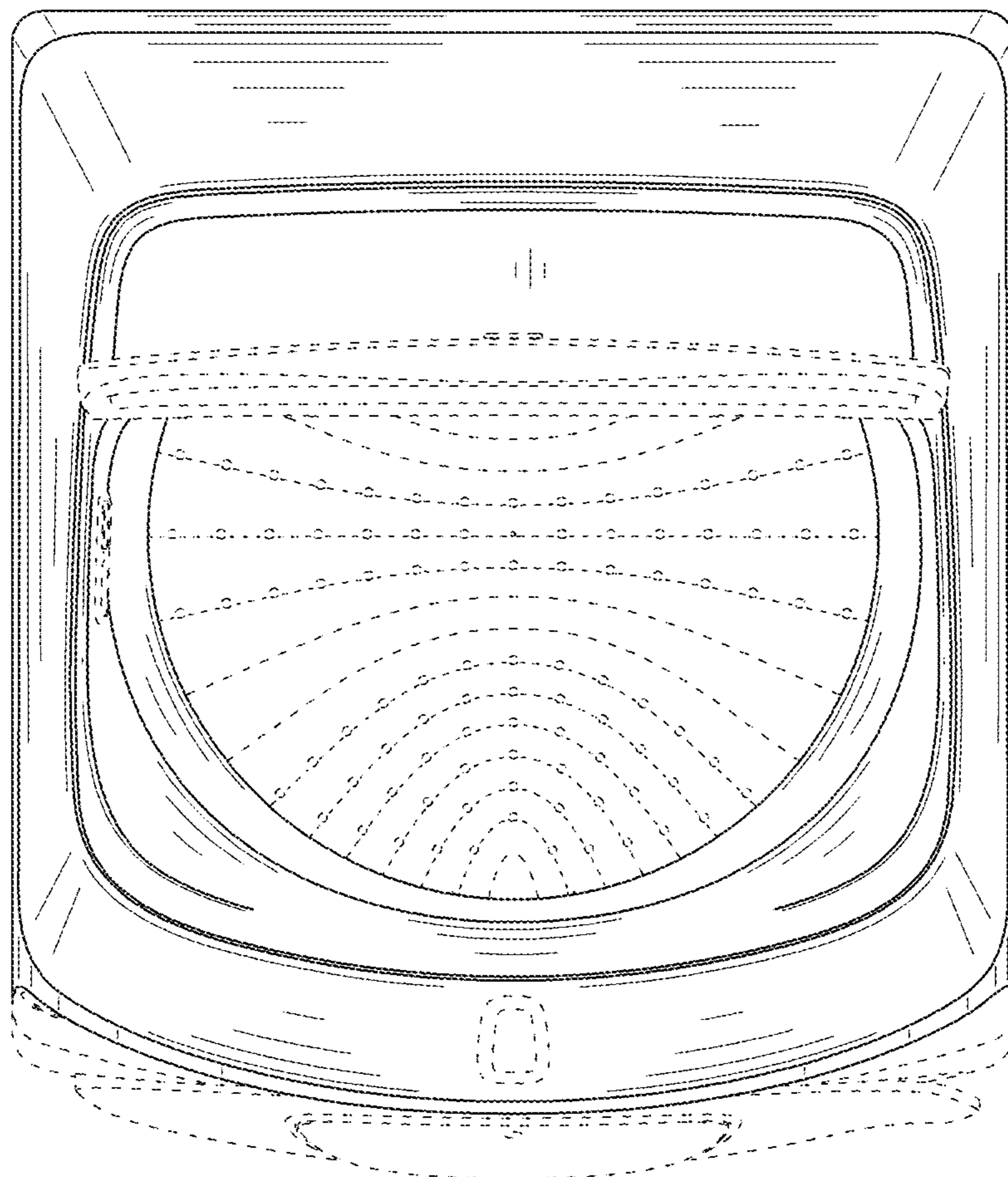


FIG. 7

