



US00D809219S

(12) **United States Design Patent**
Wright et al.

(10) **Patent No.:** **US D809,219 S**
(45) **Date of Patent:** **** Jan. 30, 2018**

- (54) **TUG-TOY TOOTH BRUSH**
- (71) Applicant: **OWL Innovations, LLC**, Cottonwood Heights, UT (US)
- (72) Inventors: **Samuel Wayne Wright**, Sandy, UT (US); **Brian Coutts**, Centerville, UT (US); **Tyler Brown**, Sandy, UT (US)
- (73) Assignee: **OWL INNOVATIONS, LLC.**, Cottonwood Heights, UT (US)
- (**) Term: **15 Years**
- (21) Appl. No.: **29/608,389**
- (22) Filed: **Jun. 21, 2017**

D658,387 S *	5/2012	Mallory	D4/128
D658,892 S *	5/2012	Console	D4/121
D661,850 S *	6/2012	Byrne	D30/160
D678,683 S *	3/2013	Hammer	D4/128
D689,155 S *	9/2013	Jahns	D21/692
D717,016 S *	11/2014	Osenga	D1/199
D718,058 S *	11/2014	Petti	D4/128
D724,268 S *	3/2015	Gardella	D28/37
D747,106 S *	1/2016	Lim	D4/128
D749,327 S *	2/2016	Thierer	D4/128
D752,877 S *	4/2016	Jacob	D4/128
D752,879 S *	4/2016	Jacob	D4/128
D757,444 S *	5/2016	Uhlen	D4/128
D774,312 S *	12/2016	Pires	D4/128
D780,462 S *	3/2017	Vanoncini	D4/128
D787,834 S *	5/2017	Cheung	D4/128
D796,125 S *	8/2017	Gibson	D30/160

* cited by examiner

Primary Examiner — Austin Murphy
(74) *Attorney, Agent, or Firm* — Workman Nydegger

Related U.S. Application Data

- (63) Continuation of application No. 15/617,954, filed on Jun. 8, 2017.
- (51) **LOC (11) Cl.** **30-99**
- (52) **U.S. Cl.**
USPC **D30/160; D4/128**
- (58) **Field of Classification Search**
USPC D4/128, 129, 131, 136, 138, 108, 109, D4/119; D32/35, 51; 15/104.5, 104.16, 15/104.2, 104.31, 104.32, 164, 165, 206; D28/65; D7/682; D30/160; 452/298, 452/458
CPC A46B 7/026; A46B 5/005; A46B 17/04; A46B 2200/1046
See application file for complete search history.

(57) **CLAIM**

The ornamental design for a tug-toy tooth brush, as shown and described.

DESCRIPTION

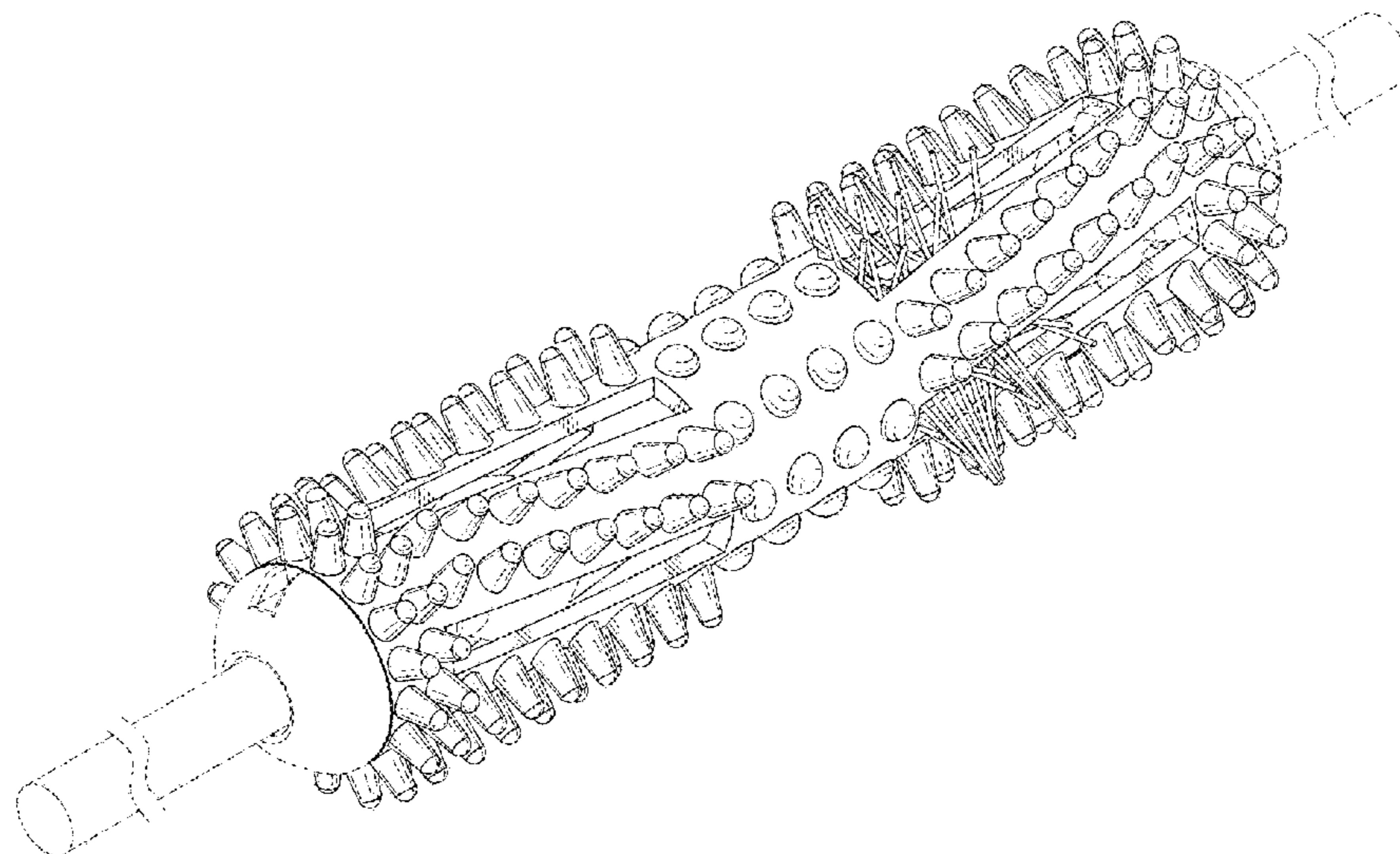
FIG. 1 is a front prospective view of a tug-toy tooth brush including our design;
FIG. 2 is an front, facing view thereof;
FIG. 3 is a back, facing view thereof;
FIG. 4 is a left, facing view thereof;
FIG. 5 is a right, facing view thereof;
FIG. 6 is a rotated, front facing view thereof;
FIG. 7 is a rotated, back facing view thereof; and,
FIG. 8 is an exploded, perspective view thereof.
The broken lines are included for the purpose of showing environmental portions of the tug-toy tooth brush and form no part of the claimed design.

(56) **References Cited**

U.S. PATENT DOCUMENTS

D631,665 S *	2/2011	Shon	D4/128
D632,086 S *	2/2011	Kulik	D4/128

1 Claim, 5 Drawing Sheets



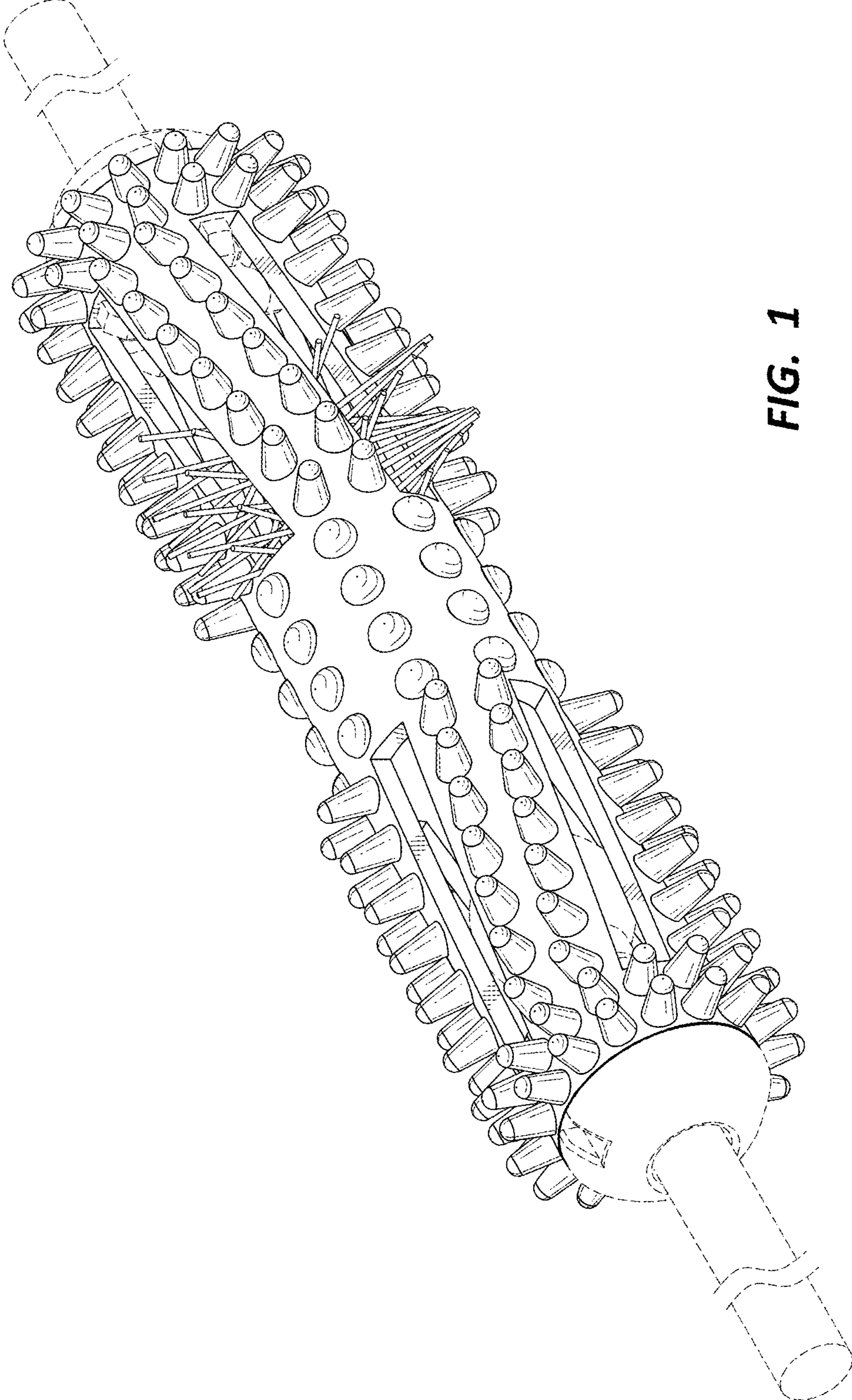


FIG. 1

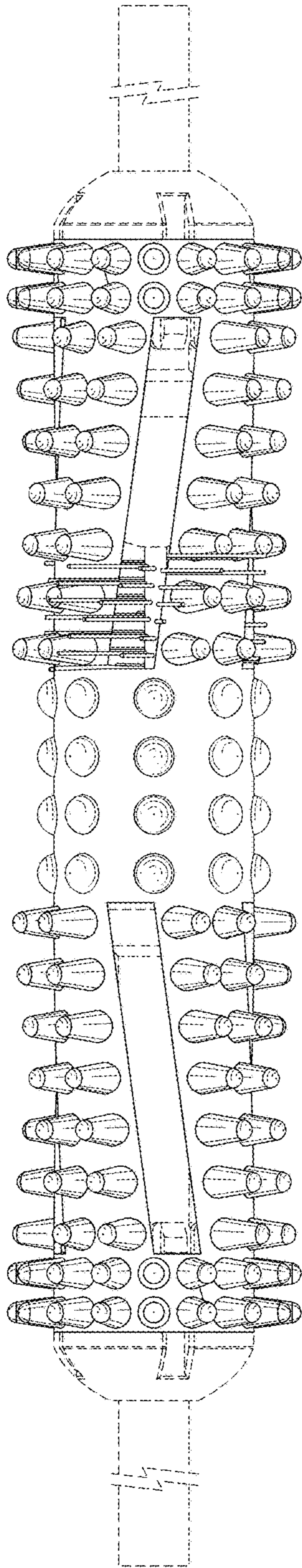


FIG. 2

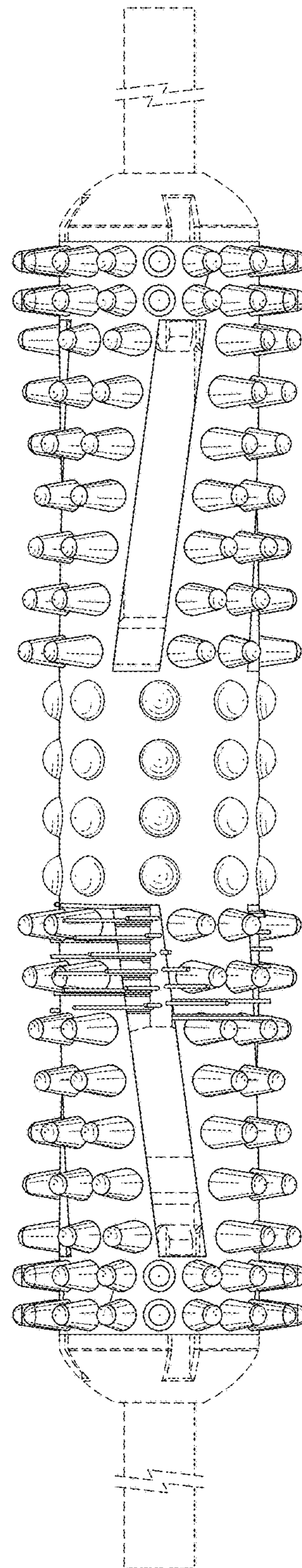


FIG. 3

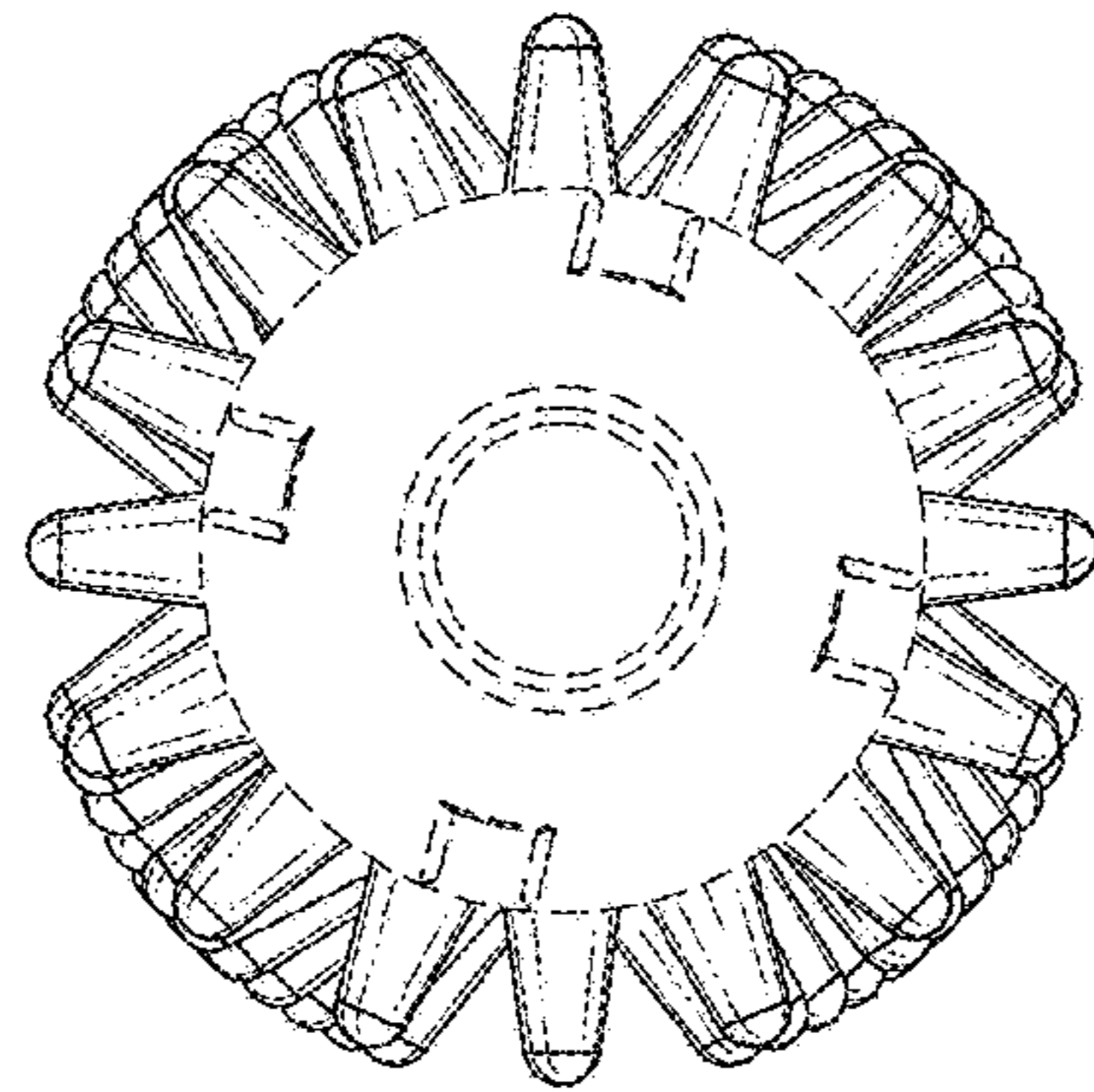


FIG. 5

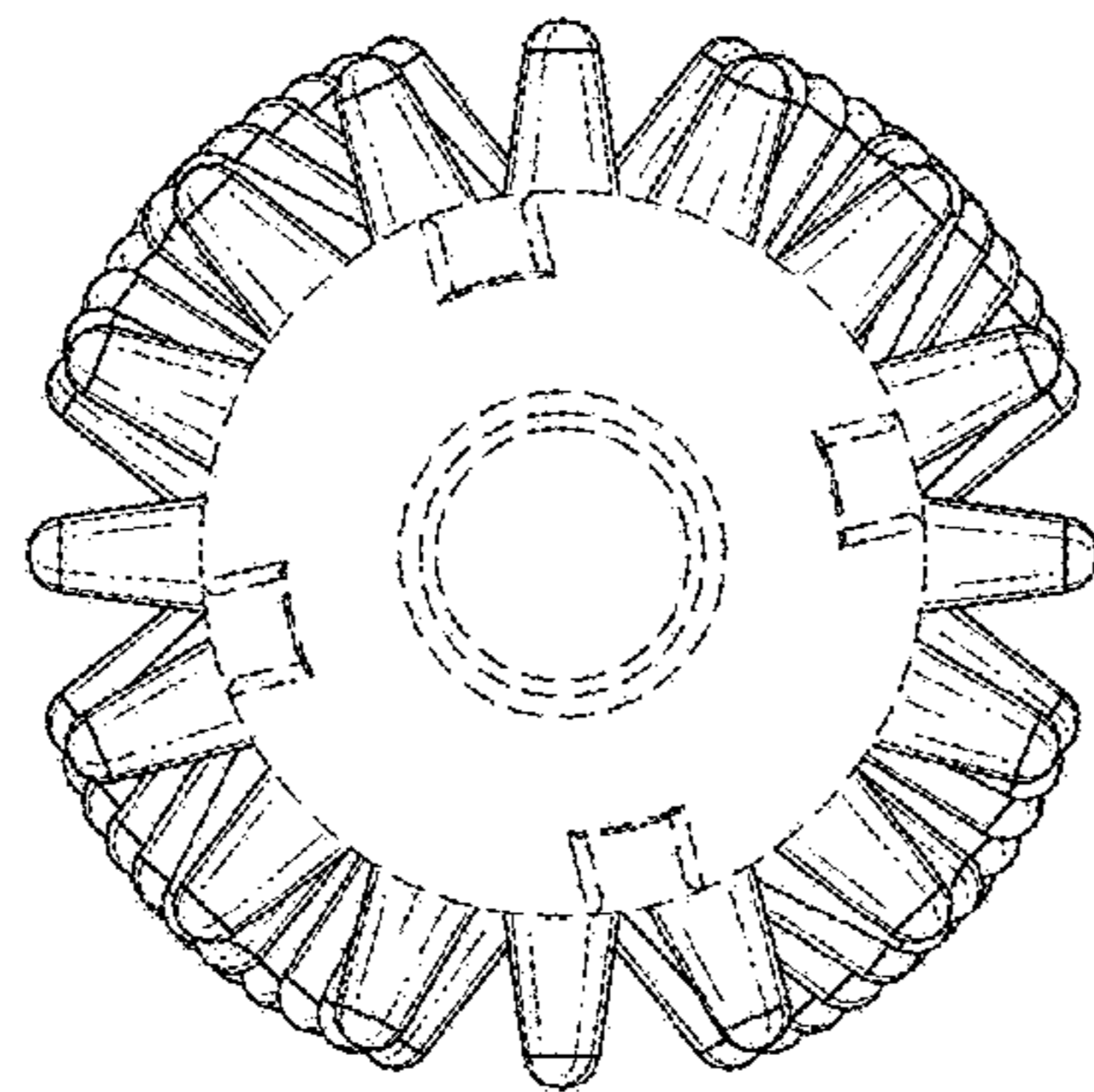


FIG. 4

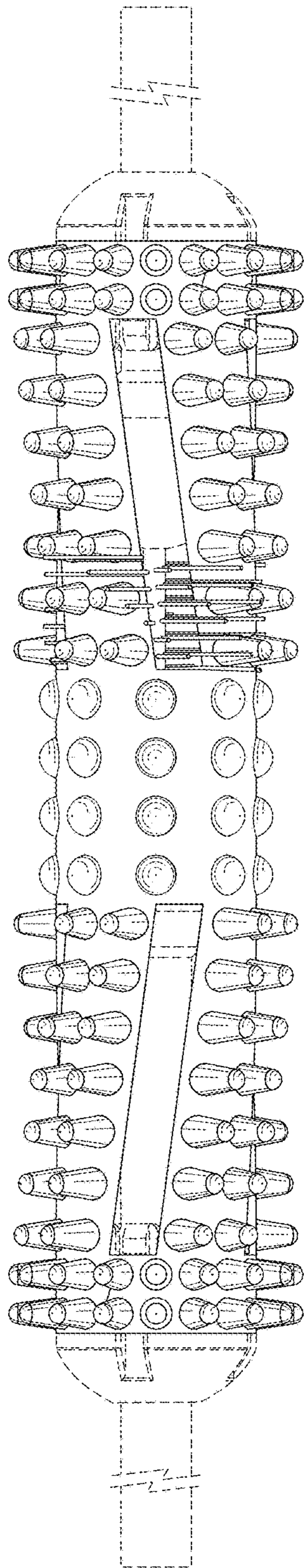


FIG. 6

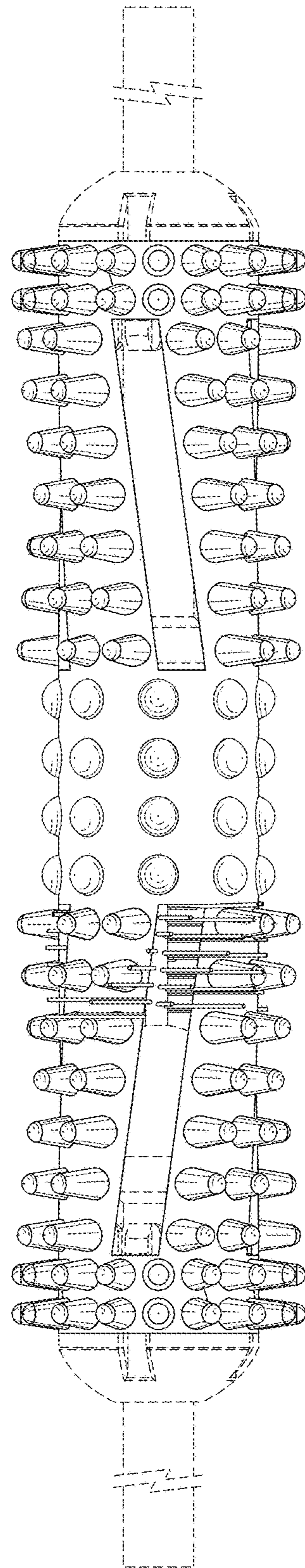


FIG. 7

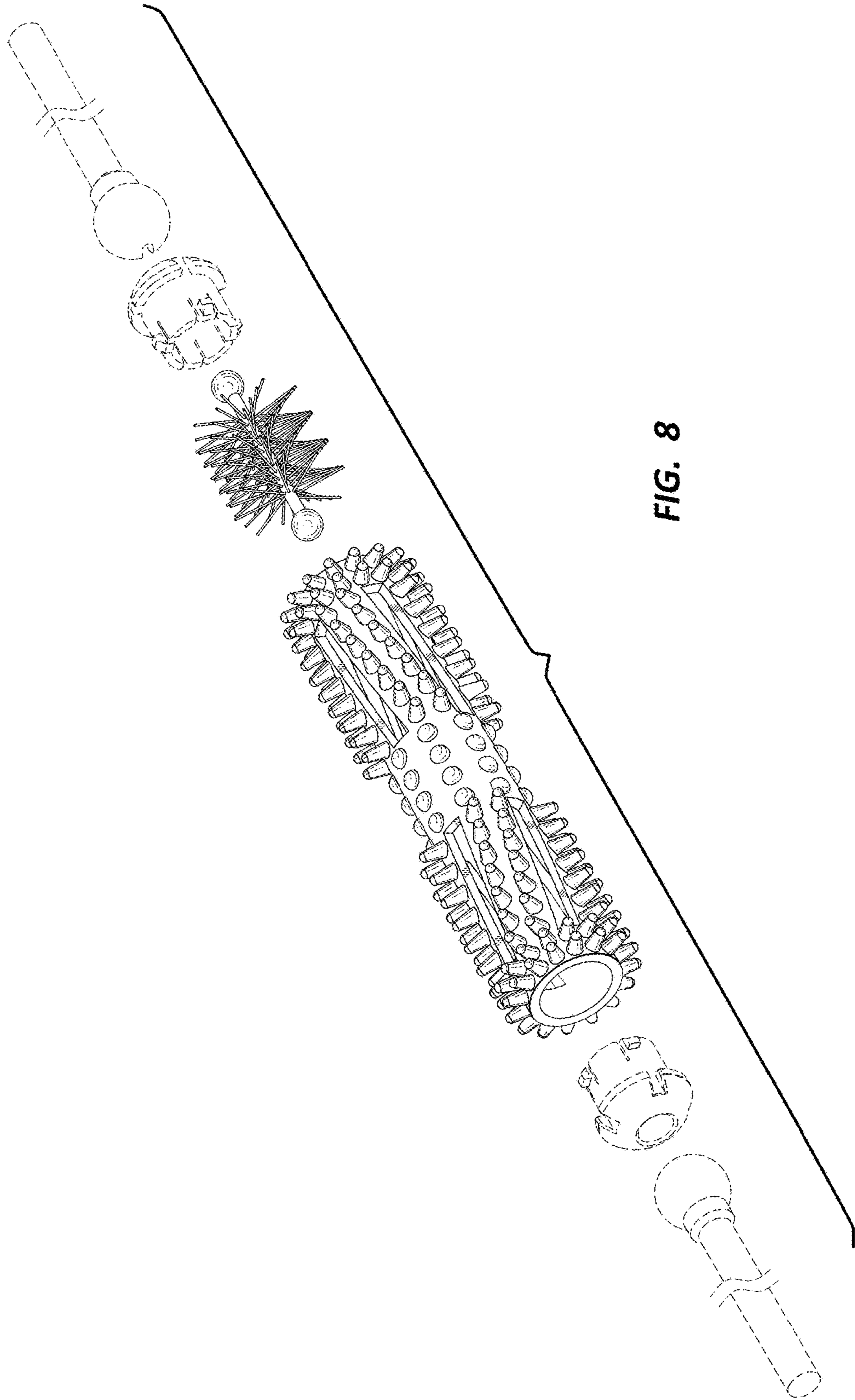


FIG. 8